



US00D405228S

United States Patent [19]

Lucero

[11] **Patent Number: Des. 405,228**

[45] **Date of Patent: **Feb. 2, 1999**

[54] **TOOL FOR PRECISION HAIRCUTTING**

4,905,717 3/1990 Taylor et al. 132/148
5,107,869 4/1992 Henry 132/213.1

[76] Inventor: **Sally C. Lucero**, 5931 S. Datura Ct.,
Littleton, Colo. 80120

FOREIGN PATENT DOCUMENTS

[**] Term: **14 Years**

33638 8/1924 Denmark 132/148
431720 11/1911 France 132/148

[21] Appl. No.: **73,198**

OTHER PUBLICATIONS

[22] Filed: **Jul. 3, 1997**

Hong Kong Enterprise Dec. 1980, p. 303—item Nos. 240
and 240A.

[51] **LOC (6) Cl. 28-03**

Hong Kong Enterprise Jun. 1993, p. 933—comb indicated
by arrow.

[52] **U.S. Cl. D28/25; D28/21**

Hong Kong Enterprise Mar. 1986, p. 339, upper right
quadrant of page—comb indicated by arrow.

[58] **Field of Search D28/21, 25, 44;**
132/212, 213, 213.1, 214, 219, 148, 158,
159

[56] **References Cited**

U.S. PATENT DOCUMENTS

D. 48,972	5/1916	Harper	D28/21
D. 109,067	3/1938	Lipic, Jr.	D28/21
D. 263,886	4/1982	Soltsick, Jr.	D28/21
D. 283,057	3/1986	Rogers	D28/25
531,468	12/1894	Noyes	132/141 X
1,632,238	6/1927	Lister	132/158
2,231,077	2/1941	Lambert	D28/21 X
2,589,469	3/1952	Zerbo	132/219
2,605,773	8/1952	Auclair .		
2,786,477	3/1957	Cohen .		
2,879,777	3/1959	Miller .		
3,029,509	4/1962	Peters	D28/25
3,459,197	8/1969	Wilson	132/148
3,628,545	12/1971	Moody	D28/21 X
4,368,745	1/1983	McGuffey .		
4,517,998	5/1985	Furco .		
4,605,020	8/1986	Lavoie .		

Primary Examiner—Philip S. Hyder
Assistant Examiner—C. Tuttle
Attorney, Agent, or Firm—William E. Hein

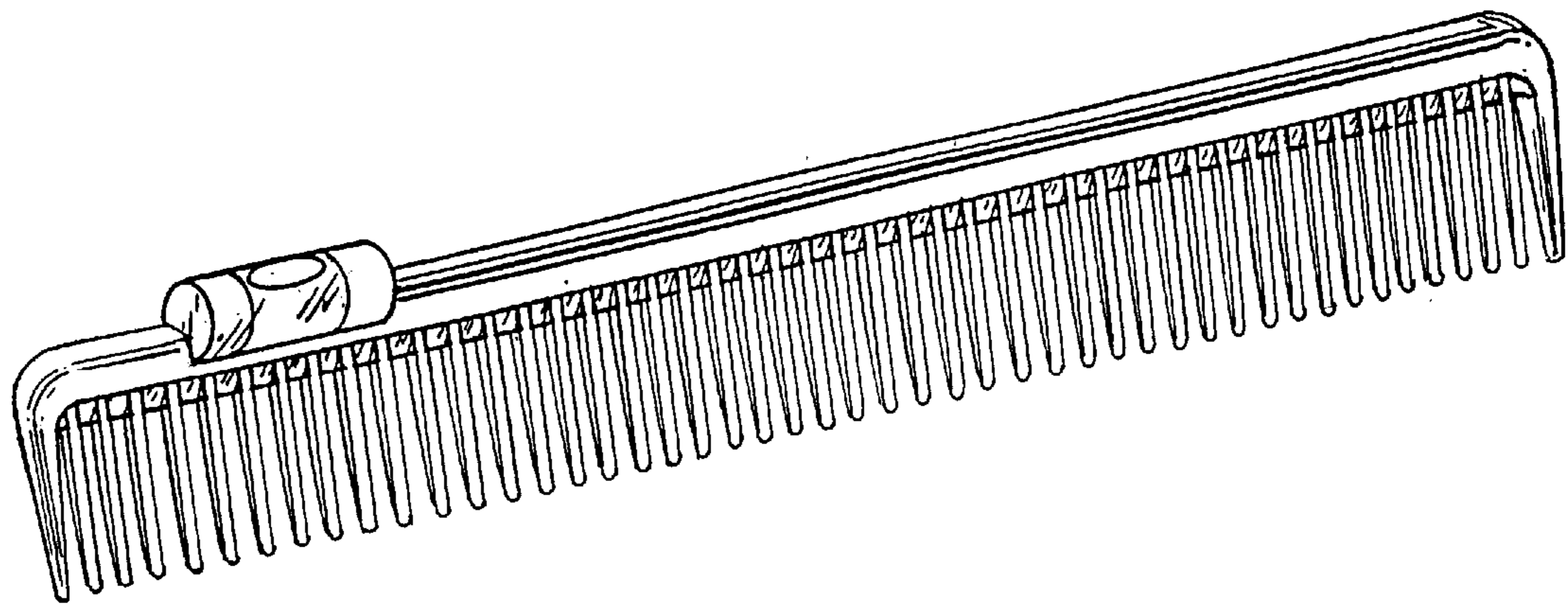
[57] **CLAIM**

The ornamental design for a tool for precision haircutting, as shown and described.

DESCRIPTION

FIG. 1 is a front perspective view of a tool for precision haircutting, showing my new design;
FIG. 2 is a front elevation view, the rear elevation view being a mirror image thereof;
FIG. 3 is a top plan view; and,
FIG. 4 is a left side elevation view, the right side elevation view being identical thereto.
The undisclosed bottom edge of the spine forms no part of the claimed design.

1 Claim, 1 Drawing Sheet



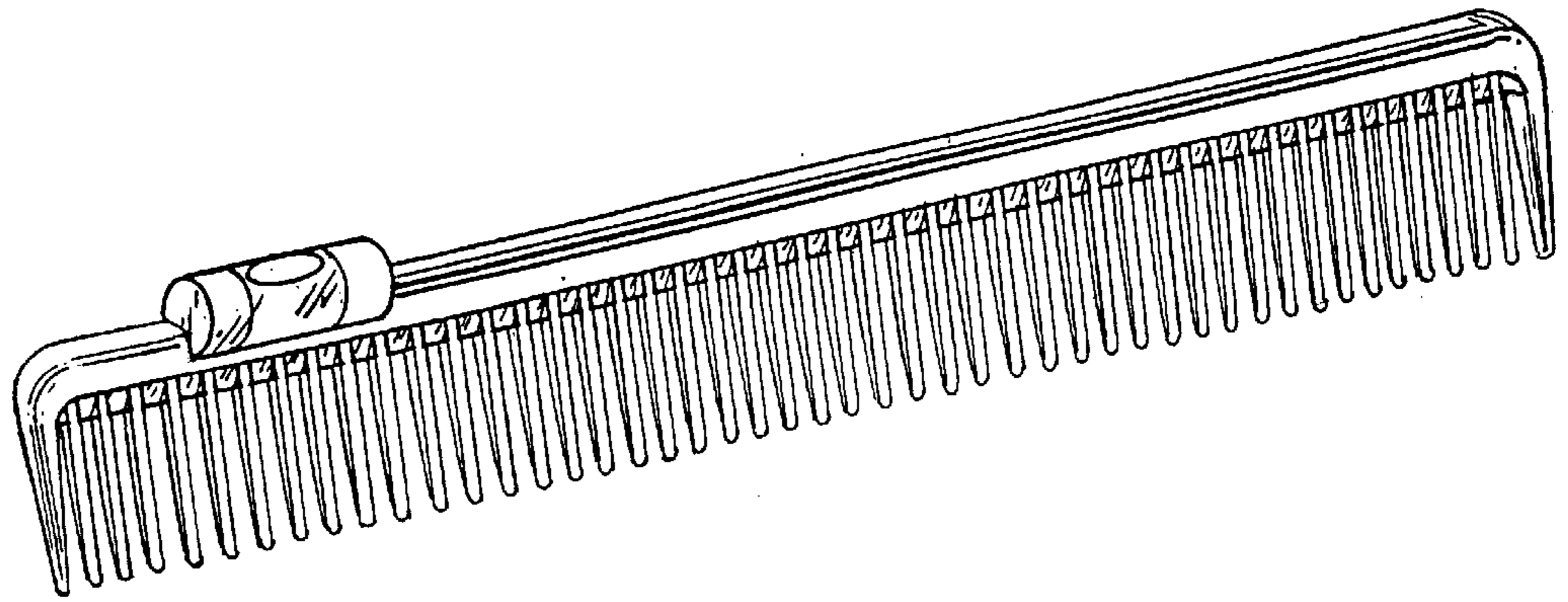


FIG. 1

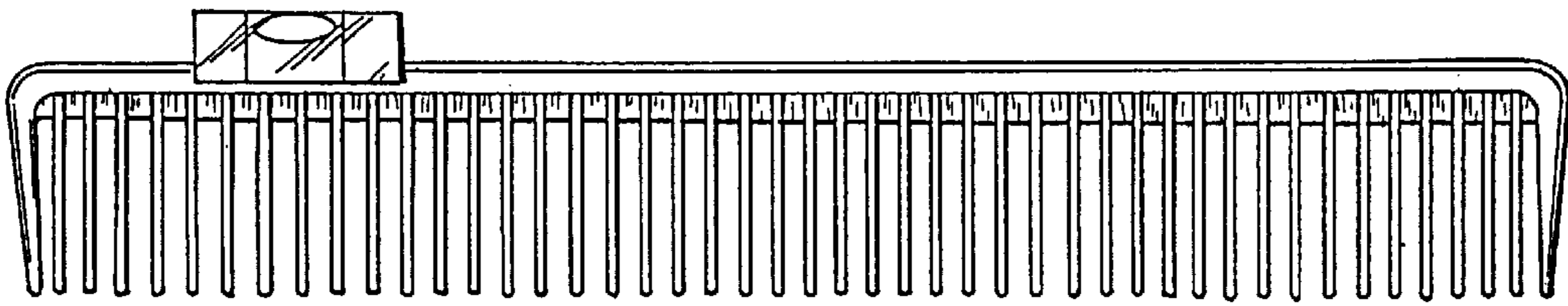


FIG. 2

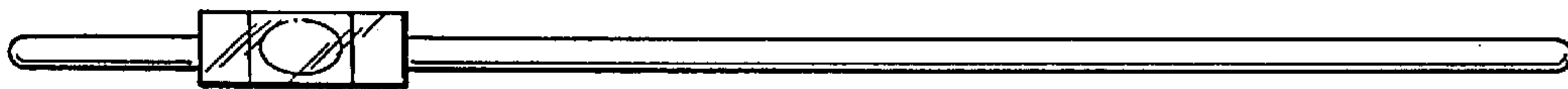


FIG. 3



FIG. 4