



US00D405226S

United States Patent [19] Conway

[11] Patent Number: Des. 405,226

[45] Date of Patent: **Feb. 2, 1999

[54] INFLATABLE TRAY

3,816,858 6/1974 Martin 4/515
5,134,930 8/1992 Mei-Hwa .

[75] Inventor: Yvonne V. Conway, Olympia, Wash.

FOREIGN PATENT DOCUMENTS

[73] Assignee: Bel-Art Products, Inc., Pequannock, N.J.

38541 4/1887 Germany 4/521
958503 2/1957 Germany 4/520

[**] Term: 14 Years

Primary Examiner—Philip S. Hyder
Assistant Examiner—C. Tuttle
Attorney, Agent, or Firm—Lawrence G. Fridman

[21] Appl. No.: 63,035

[22] Filed: Nov. 22, 1996

[51] LOC (6) Cl. 28-03

[52] U.S. Cl. D28/20

[58] Field of Search D28/9, 10, 20;
D23/271, 289; D24/121-123, 191; 132/212,
272; 4/515-520, 523; D6/601, 604

[57] CLAIM

The ornamental design for an inflatable tray, as shown and described.

DESCRIPTION

FIG. 1 is a top plan view of an inflatable tray according to my new design;
FIG. 2 is a front elevational view showing my design with the tube flexed to an alternate position of FIG. 1;
FIG. 3 is a bottom plan view showing my new design with the tube flexed to an alternate position of FIG. 2;
FIG. 4 is a rear elevational view showing my new design with the tube flexed to an alternate position of FIG. 2;
FIG. 5 is a left-hand side elevational view thereof;
FIG. 6 is a right-hand side elevational view thereof;
FIG. 7 is a top perspective view of the right side of the tray with portions shown broken away for clear disclosure of the interior contour; and,
FIG. 8 is an enlarged bottom view seen in the direction of arrow 8 of FIG. 2 and shown partially broken away for ease of illustration.

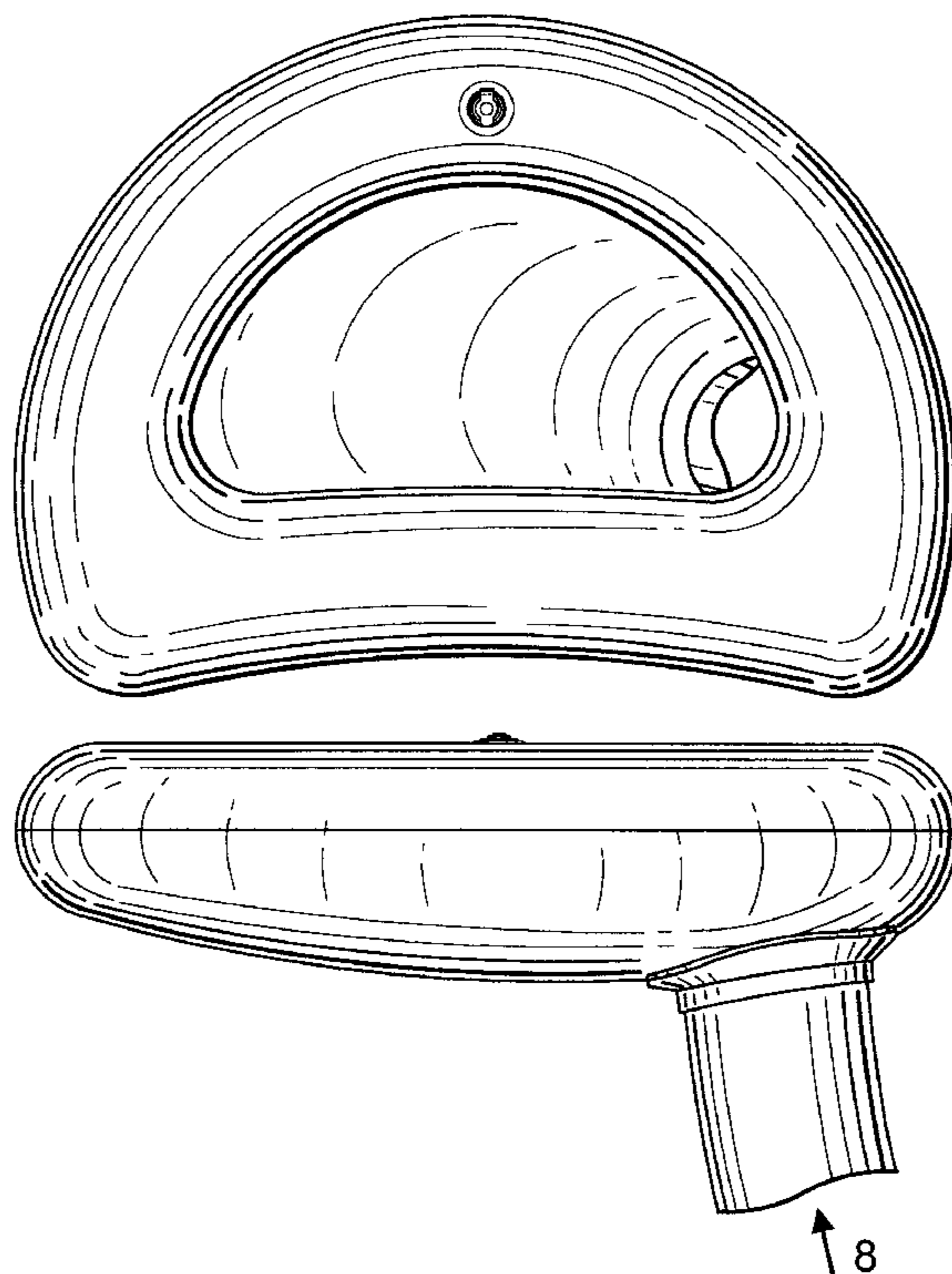
The outlet tube portion of the design is shown partially broken away to indicate indeterminate length.

1 Claim, 3 Drawing Sheets

[56] References Cited

U.S. PATENT DOCUMENTS

D. 33,763	12/1900	Meinecke et al. .	
D. 59,900	12/1921	Marsh .	
D. 255,966	7/1980	Stadel .	
D. 284,139	6/1986	Ko .	
D. 284,436	7/1986	Hodges	D6/601
D. 284,725	7/1986	Stuckey .	
D. 293,364	12/1987	Everard	D23/289
D. 301,669	6/1989	Dwelly .	
D. 322,380	12/1991	El-Asir .	
D. 351,526	10/1994	Tarquinio .	
D. 364,302	11/1995	Cloud .	
D. 375,385	11/1996	Mock	D28/20
750,103	1/1904	Eggers	4/456
3,100,898	8/1963	Wade	4/515
3,416,169	12/1968	Emery .	
3,733,620	5/1973	Glantz	4/515



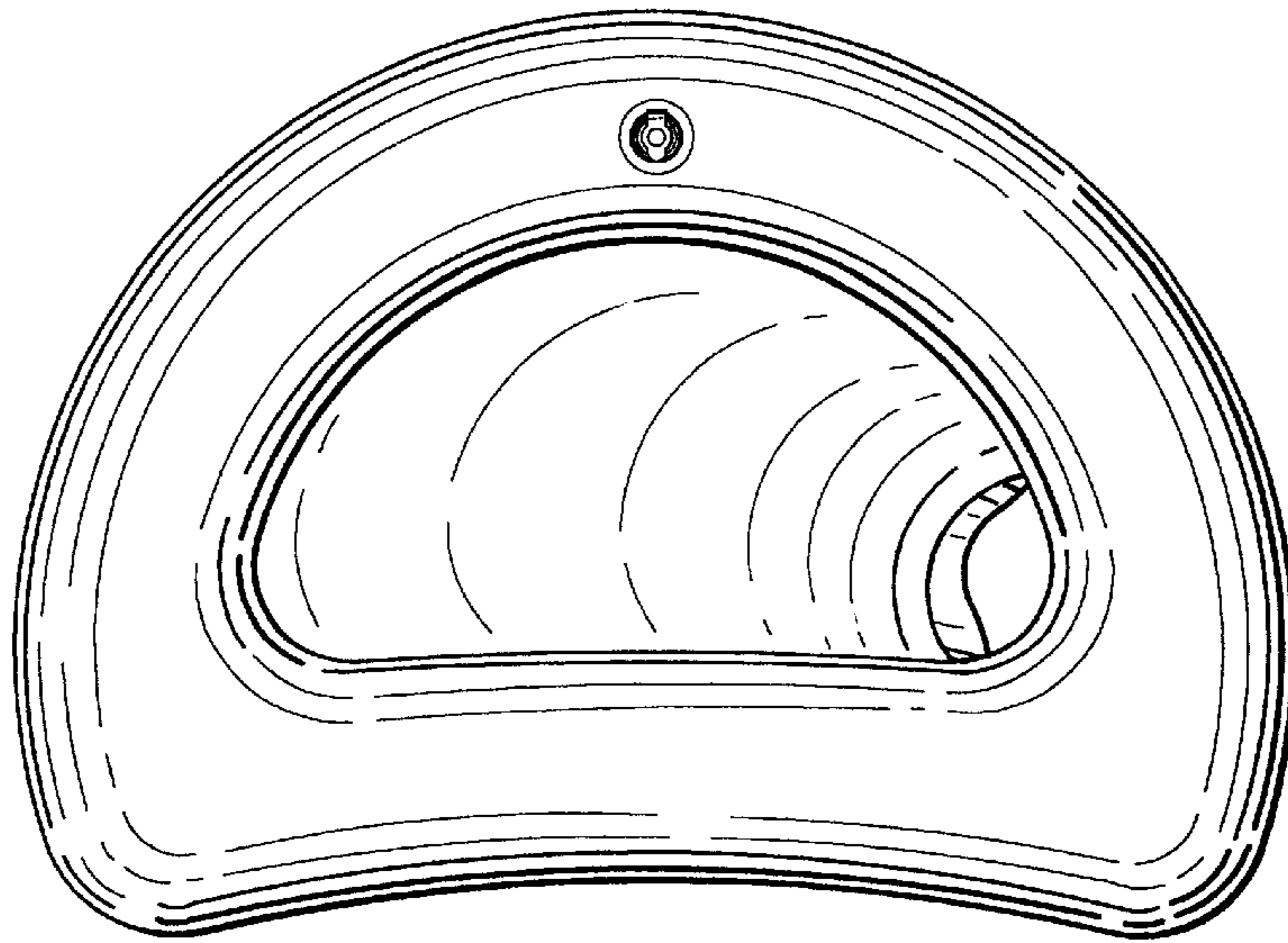


FIG. 1

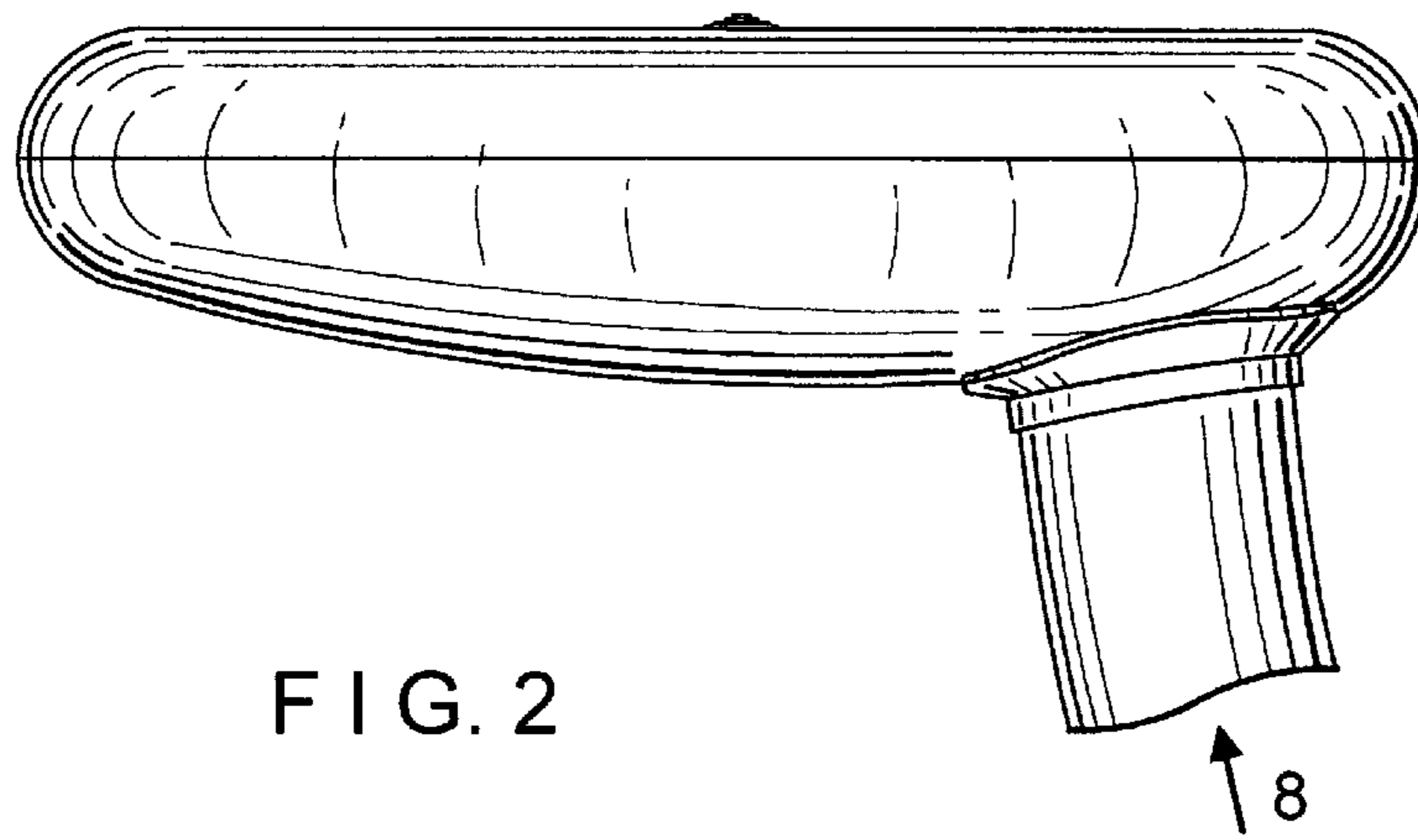


FIG. 2

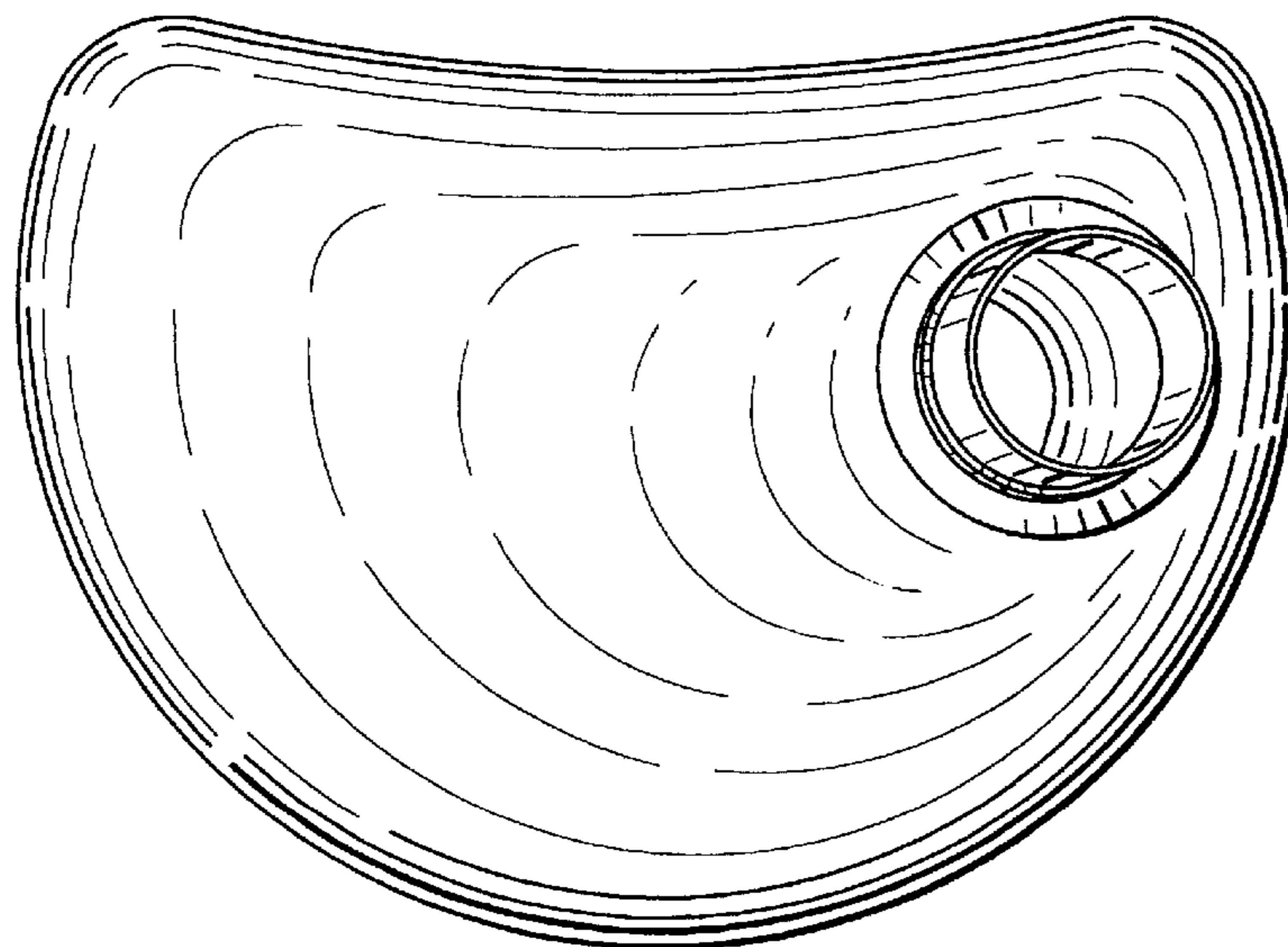


FIG. 3

FIG. 4

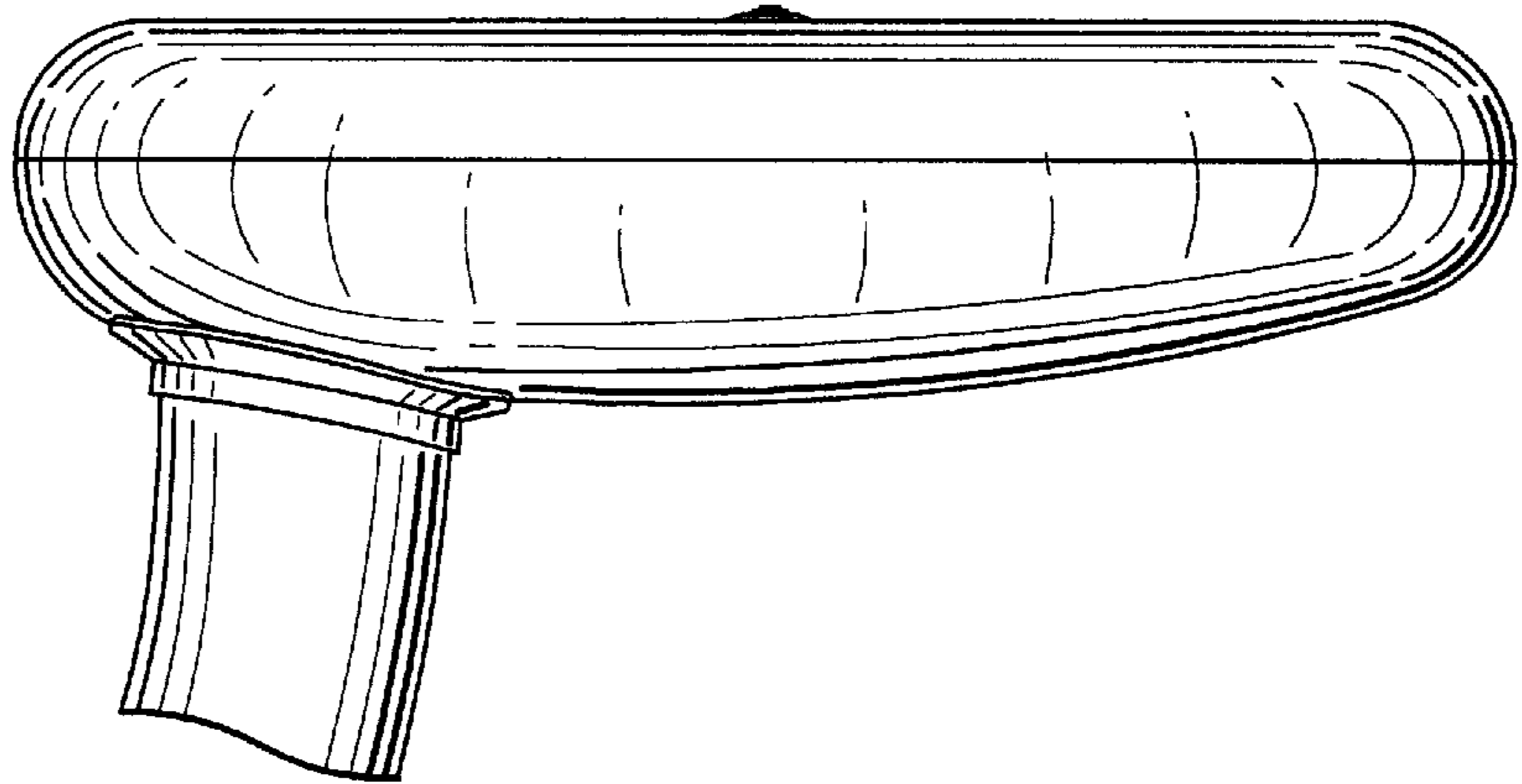


FIG. 5

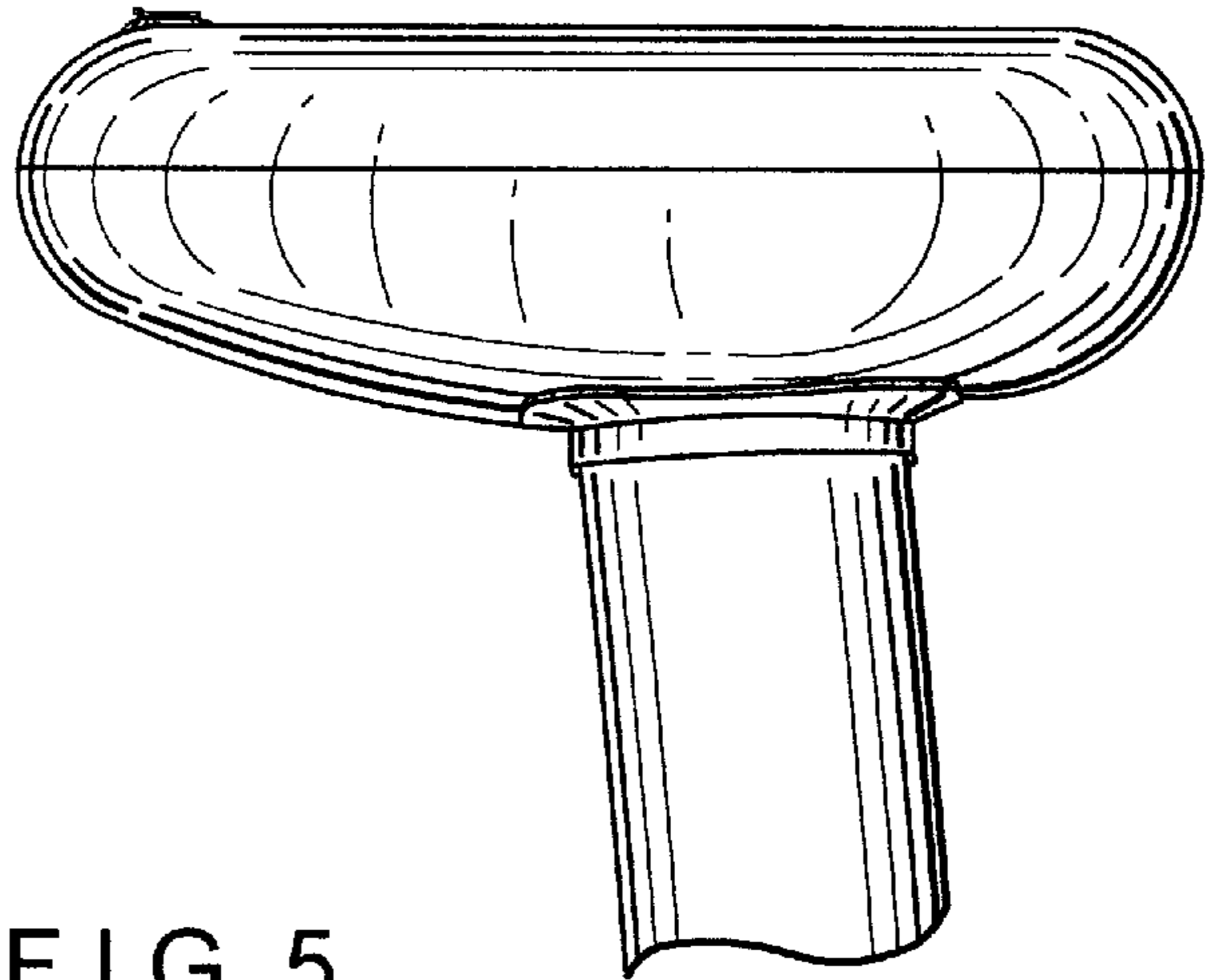
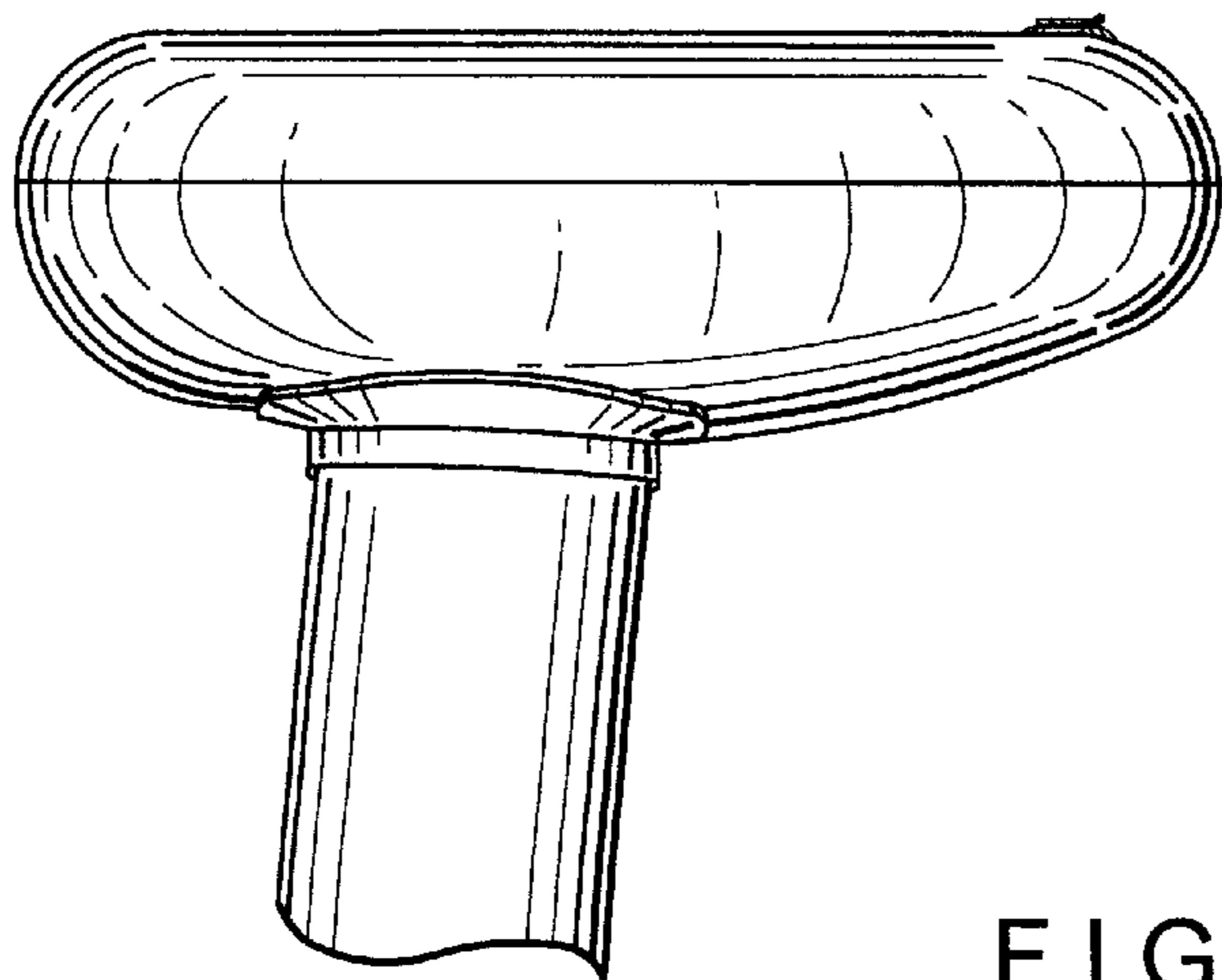


FIG. 6



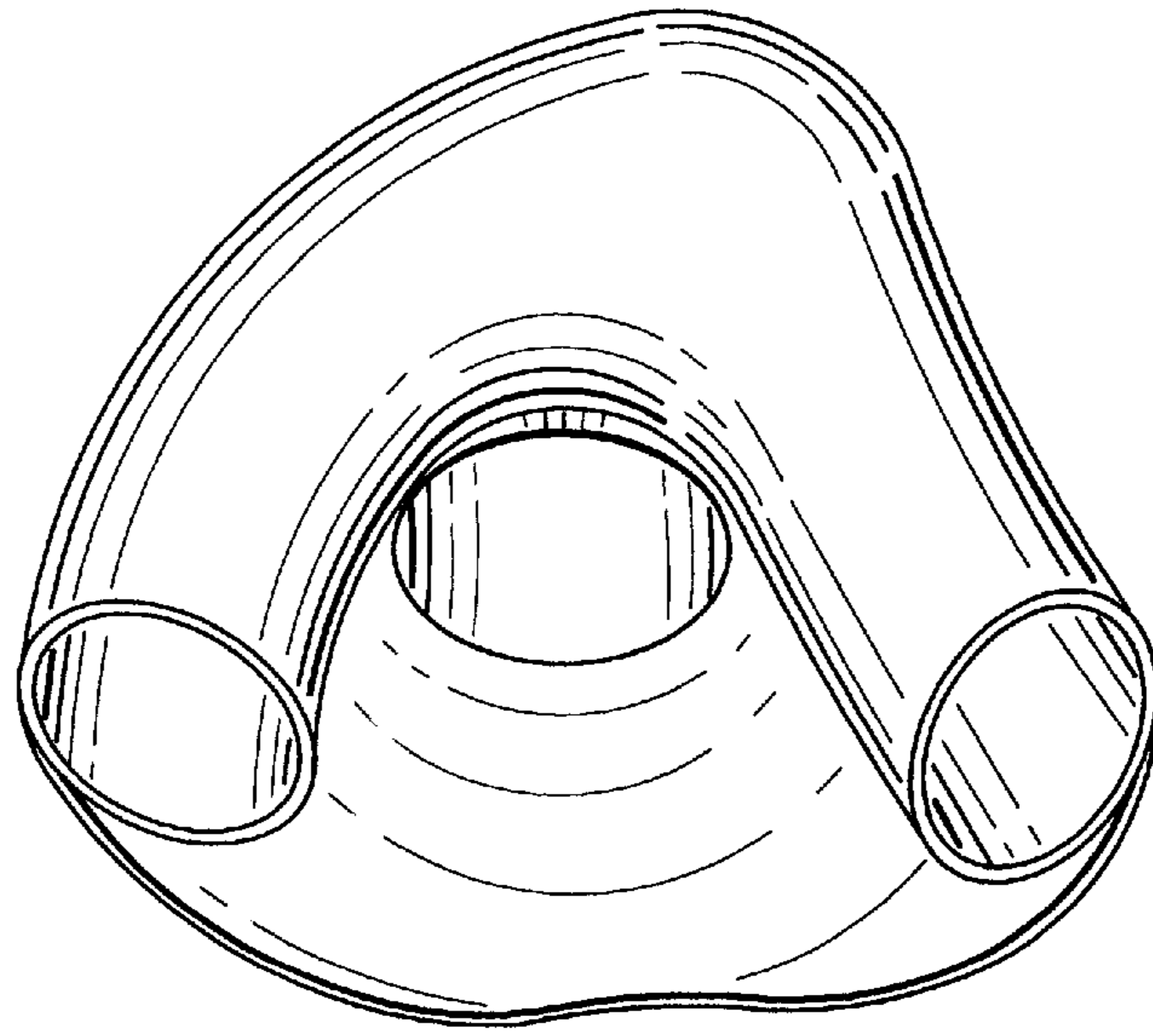


FIG. 7

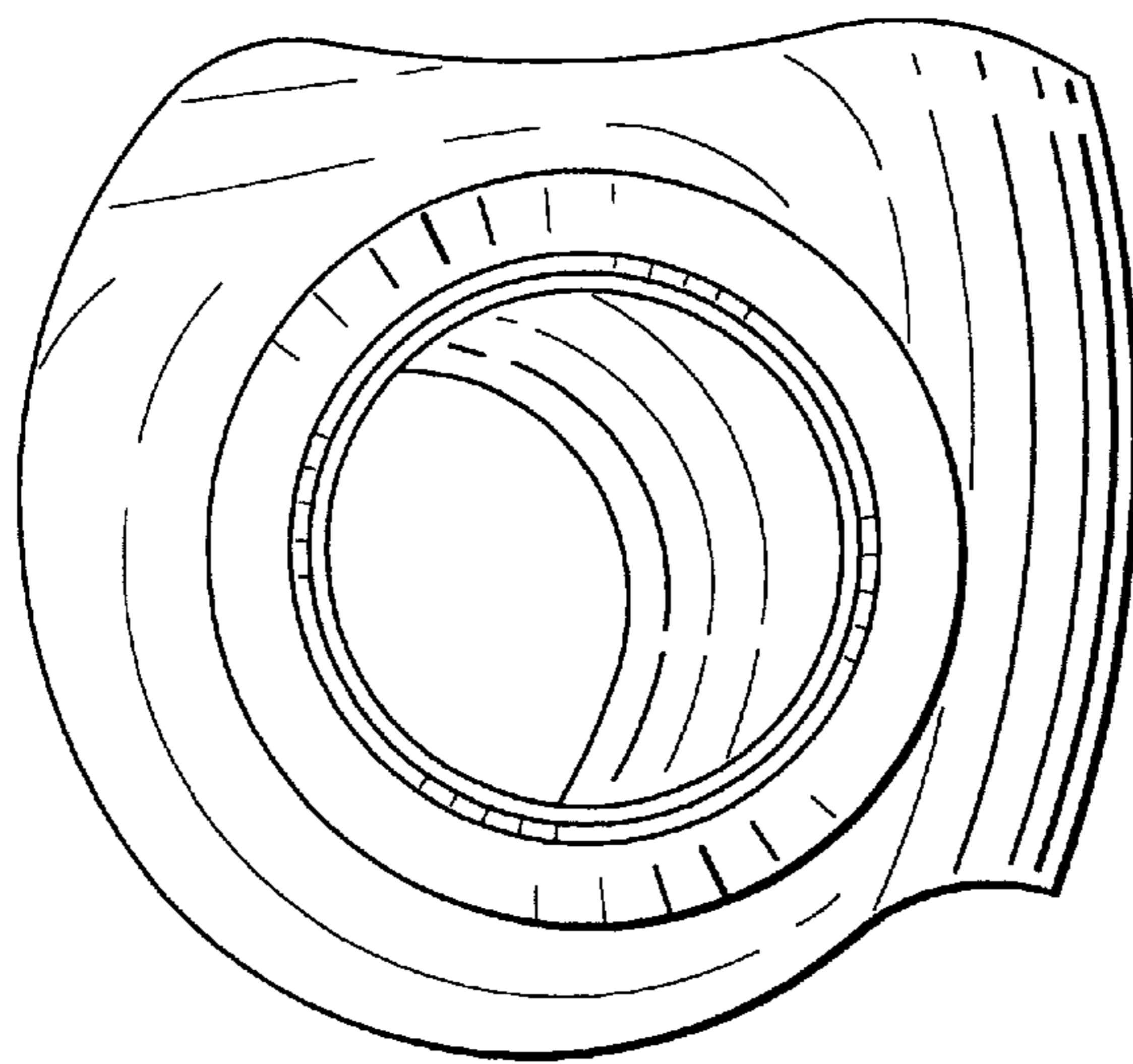


FIG. 8