



US00D405225S

United States Patent [19]
Vicale

[11] **Patent Number: Des. 405,225**

[45] **Date of Patent: **Feb. 2, 1999**

[54] **HUMIDOR**

D. 374,946 10/1996 Meurlin D27/189

[76] Inventor: **Emil Vicale**, 1C Sunrise Rd., Danbury,
Conn. 06810

Primary Examiner—Susan J. Lucas
Assistant Examiner—Jennifer Rivard
Attorney, Agent, or Firm—Howard S. Reiter, Esq.; Hosmer
& Reiter

[**] Term: **14 Years**

[21] Appl. No.: **72,909**

[57] **CLAIM**

[22] Filed: **Jun. 13, 1997**

The ornamental design for a humidor, as shown and described.

[51] **LOC (6) Cl.** **27-06**

DESCRIPTION

[52] **U.S. Cl.** **D27/189; D6/441**

[58] **Field of Search** D6/441, 432, 445,
D6/446, 470, 561; 312/73, 114, 31.1, 31.04;
131/329; D27/183, 186-194, 172, 127

FIG. 1. is a perspective view of a humidor illustrating my new design;
FIG. 2. is a front elevation view of the humidor of FIG. 1;
FIG. 3. is a side elevation view of the humidor of FIG. 1.,
the opposite side being a mirror image; and,
FIG. 4. is a top plan view of the humidor of FIG. 1.

[56] **References Cited**

U.S. PATENT DOCUMENTS

D. 346,695 5/1994 Williams D6/561

1 Claim, 2 Drawing Sheets

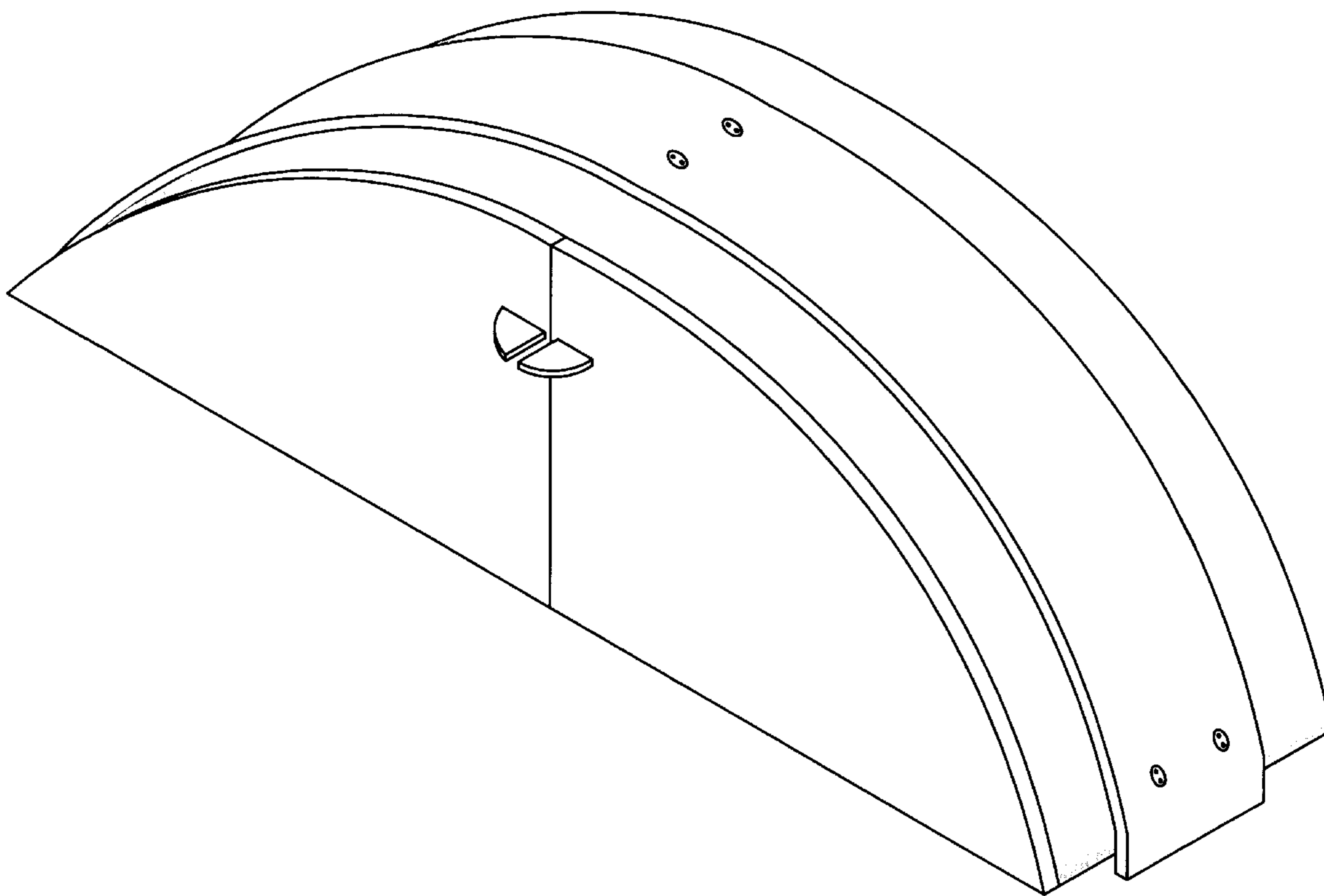


FIG. 1

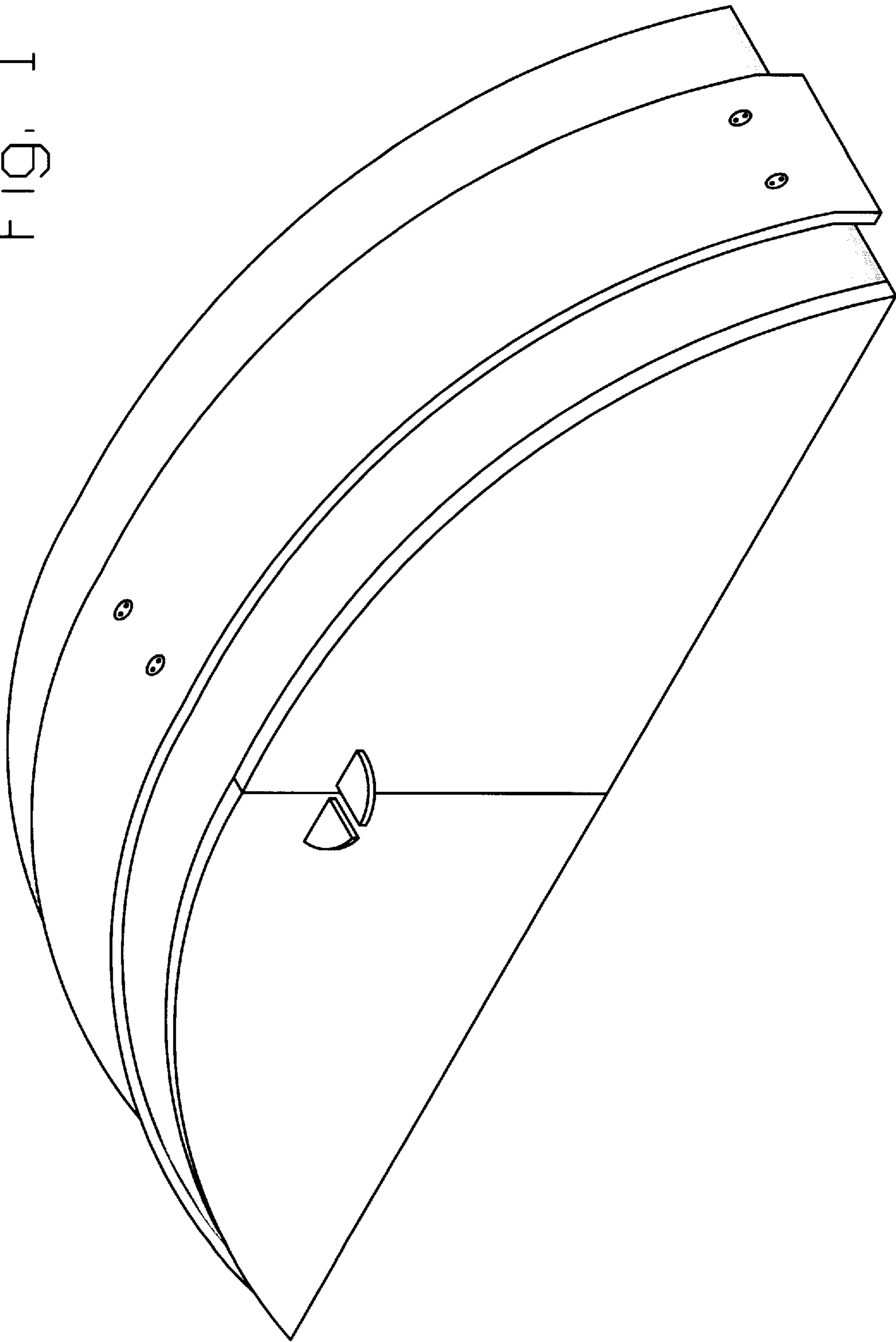


Fig. 4

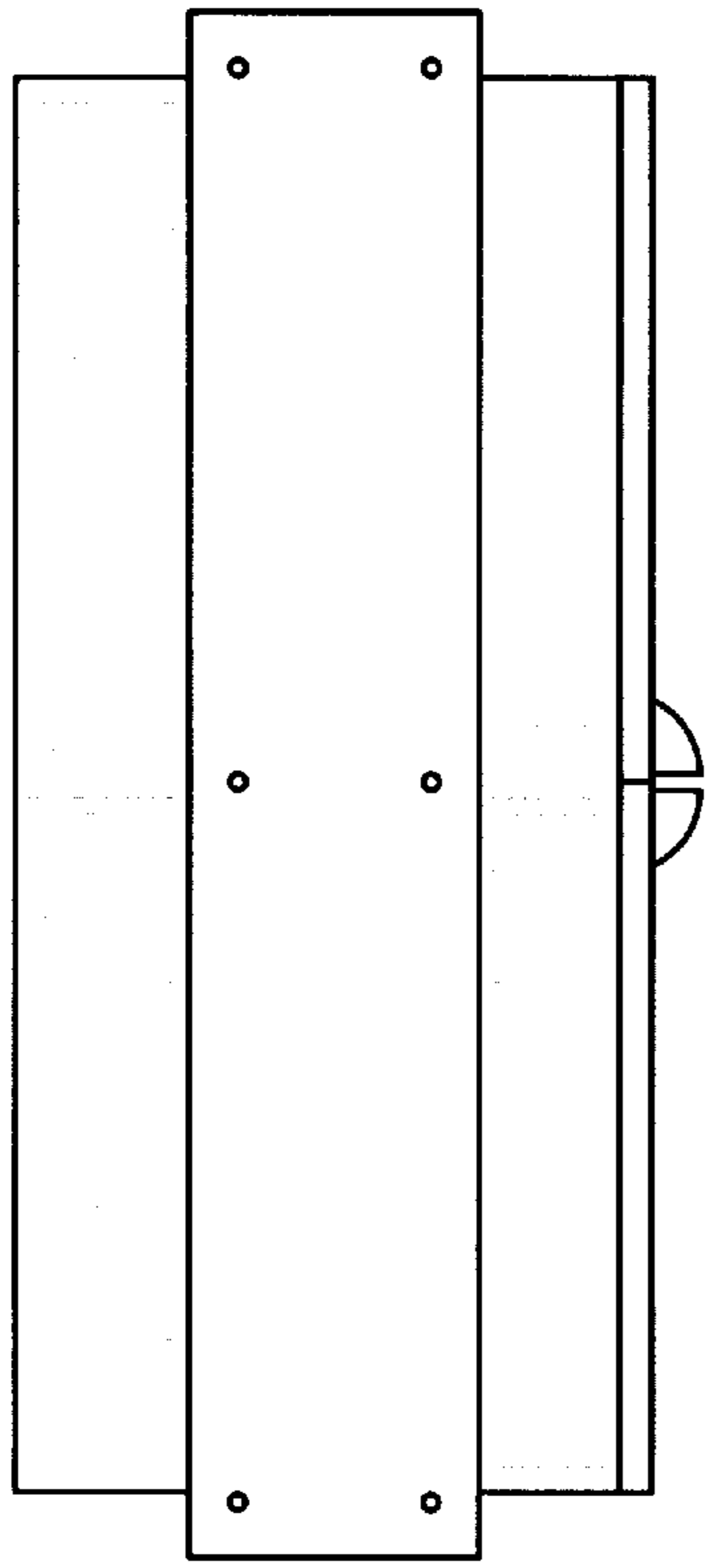


Fig. 2

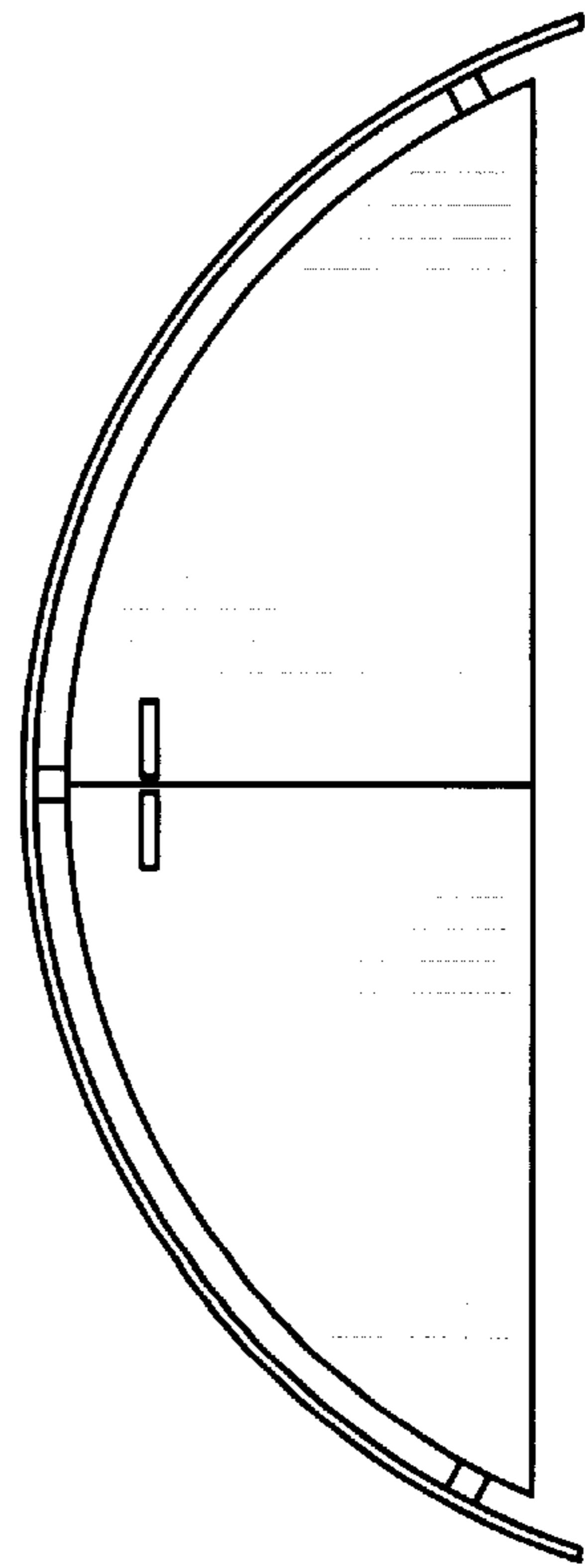


Fig. 3

