



US00D405222S

**United States Patent** [19]  
**Gilbert, Jr. et al.**

[11] **Patent Number:** **Des. 405,222**

[45] **Date of Patent:** **\*\*Feb. 2, 1999**

[54] **LOW PROFILE RIGHT ANGLE PLUG**

[75] Inventors: **George Adrian Gilbert, Jr.**, Bellflower;  
**Richard Andes**, Redondo Beach, both  
of Calif.

[73] Assignee: **Pacific Electriccord Company**,  
Gardena, Calif.

[\*\*] Term: **14 Years**

[21] Appl. No.: **78,949**

[22] Filed: **Nov. 6, 1997**

[51] **LOC (6) Cl.** ..... **13-03**

[52] **U.S. Cl.** ..... **D27/138.2**

[58] **Field of Search** ..... 439/164, 140,  
439/141, 152, 160, 484, 692-697, 606,  
106, 476, 483, 682, 685; D13/138.1, 138.2,  
139.1; 337/197, 198

[56] **References Cited**

**U.S. PATENT DOCUMENTS**

D. 365,083	12/1995	Hedrick	.....	D13/138.1
D. 369,142	4/1996	Hedrick	.....	D13/138.1
D. 378,586	3/1997	Hedrick	.....	D13/138.1

*Primary Examiner*—Susan J. Lucas  
*Assistant Examiner*—Jennifer Rivard  
*Attorney, Agent, or Firm*—Paul J. Sutton

[57] **CLAIM**

The ornamental design for a low profile right angle plug, as shown and described.

**DESCRIPTION**

FIG. 1 is a top left perspective view of the bottom of an inverted low profile right angle plug showing our new design;

FIG. 2 is a bottom left perspective view of the top of an inverted plug thereof;

FIG. 3 is a bottom plan view thereof;

FIG. 4 is a top plan view thereof;

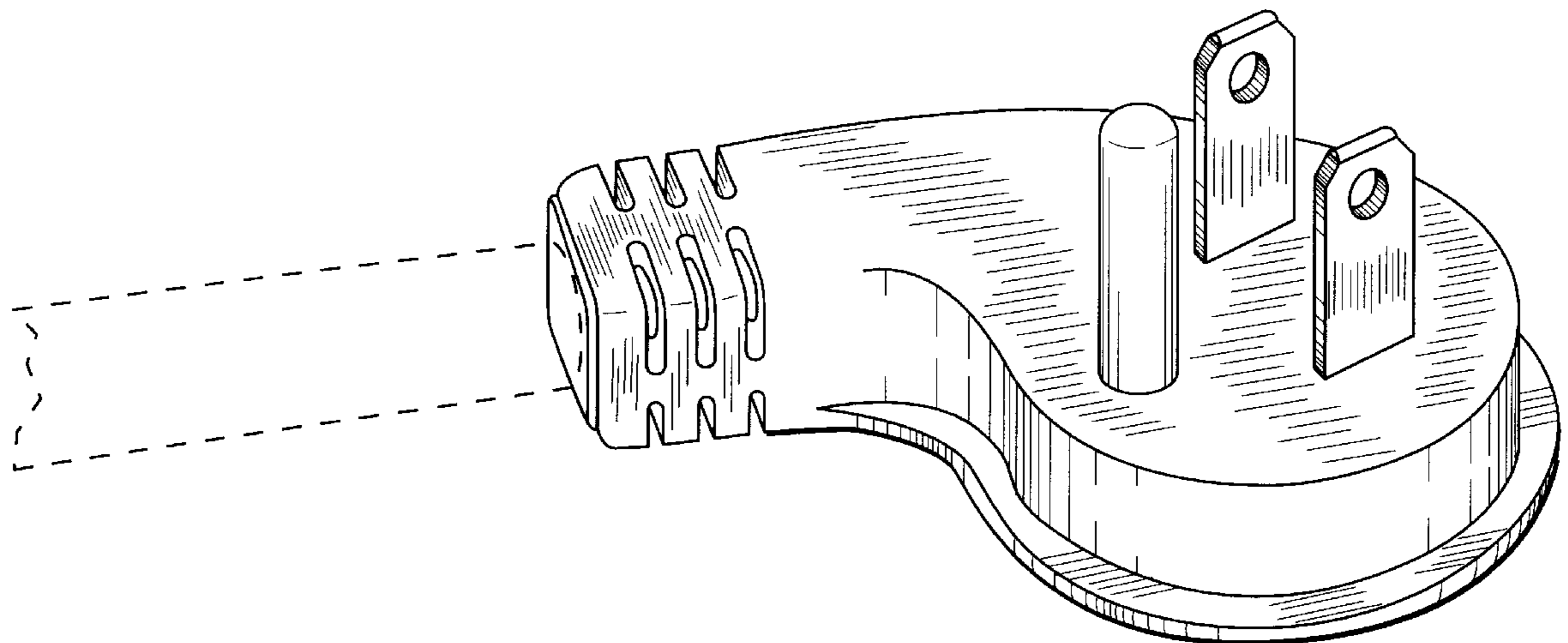
FIG. 5 is a left side elevational view thereof, the opposite side elevational view having a plain, recessed wall as indicated in FIGS. 1 and 2;

FIG. 6 is a front elevational view of the design of FIG. 1; and,

FIG. 7 is a rear elevational view of the design of FIG. 1.

The broken lines are shown for illustrative purposes only and form no part of the claimed design.

**1 Claim, 5 Drawing Sheets**



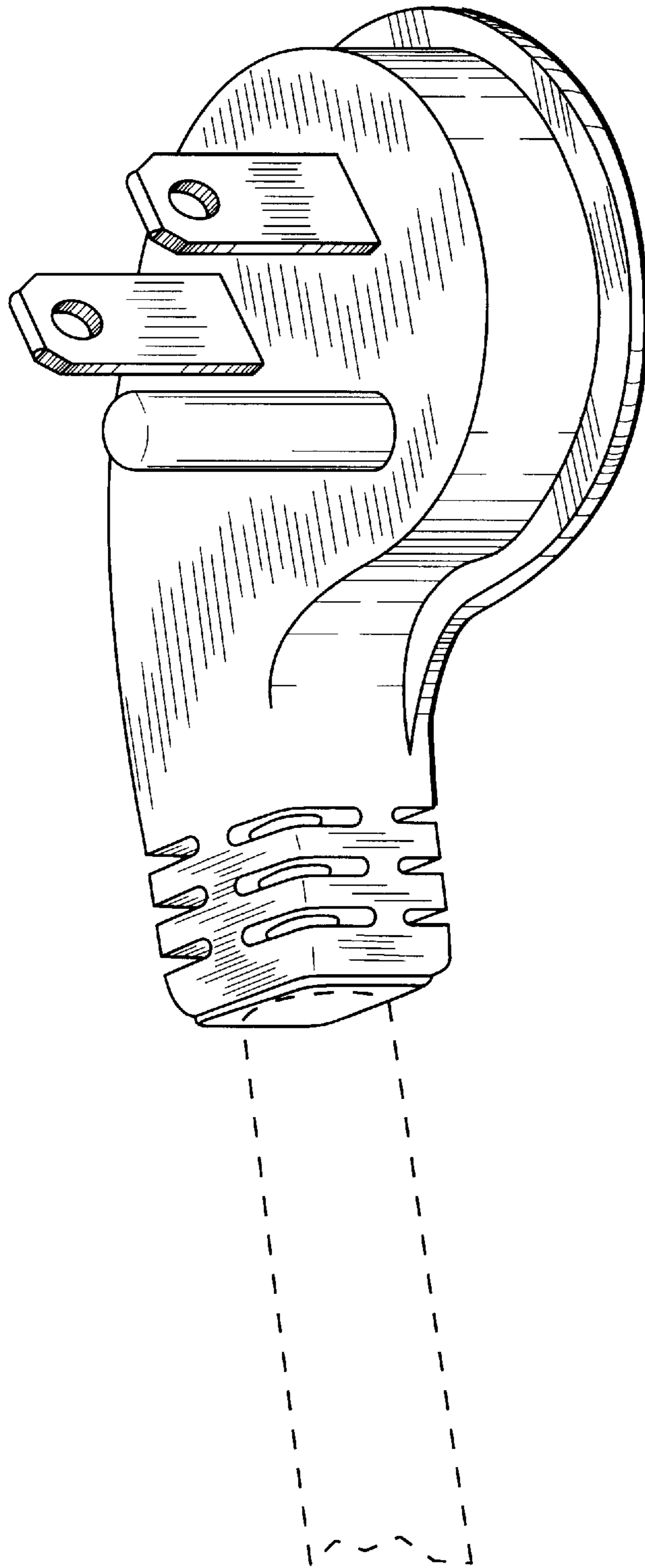


FIG. 1

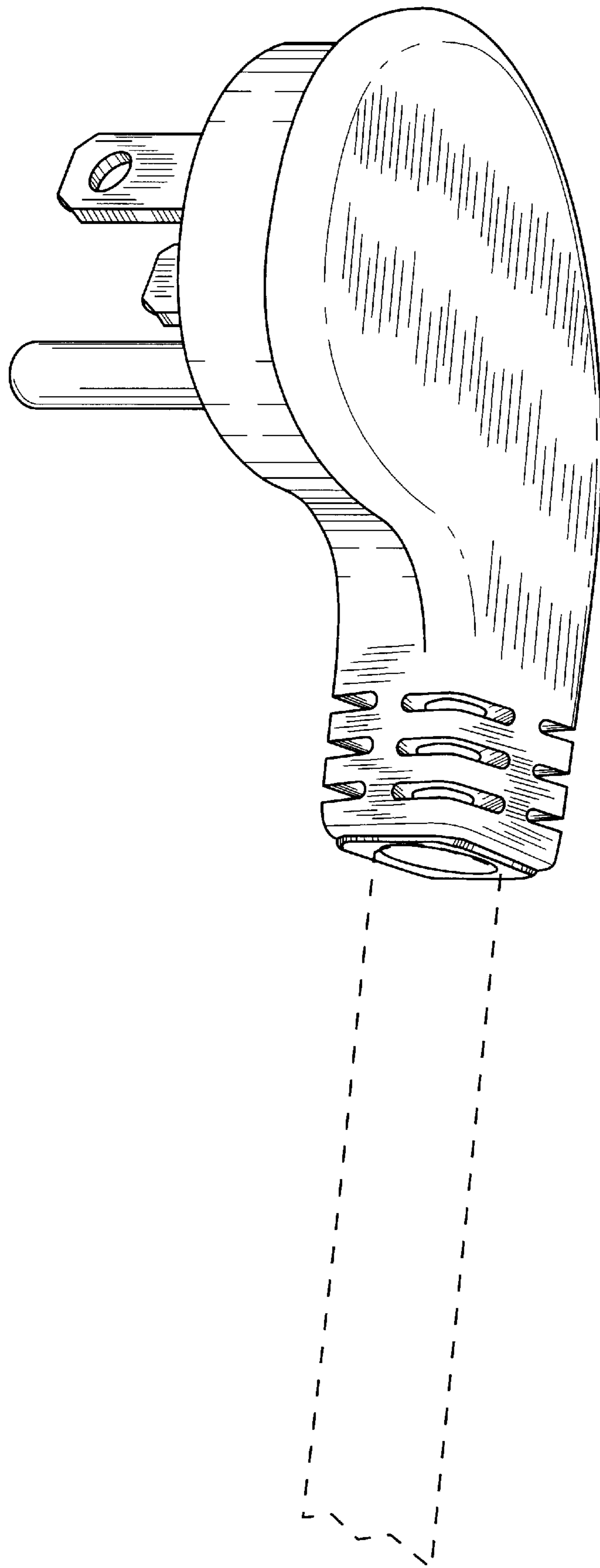


FIG. 2

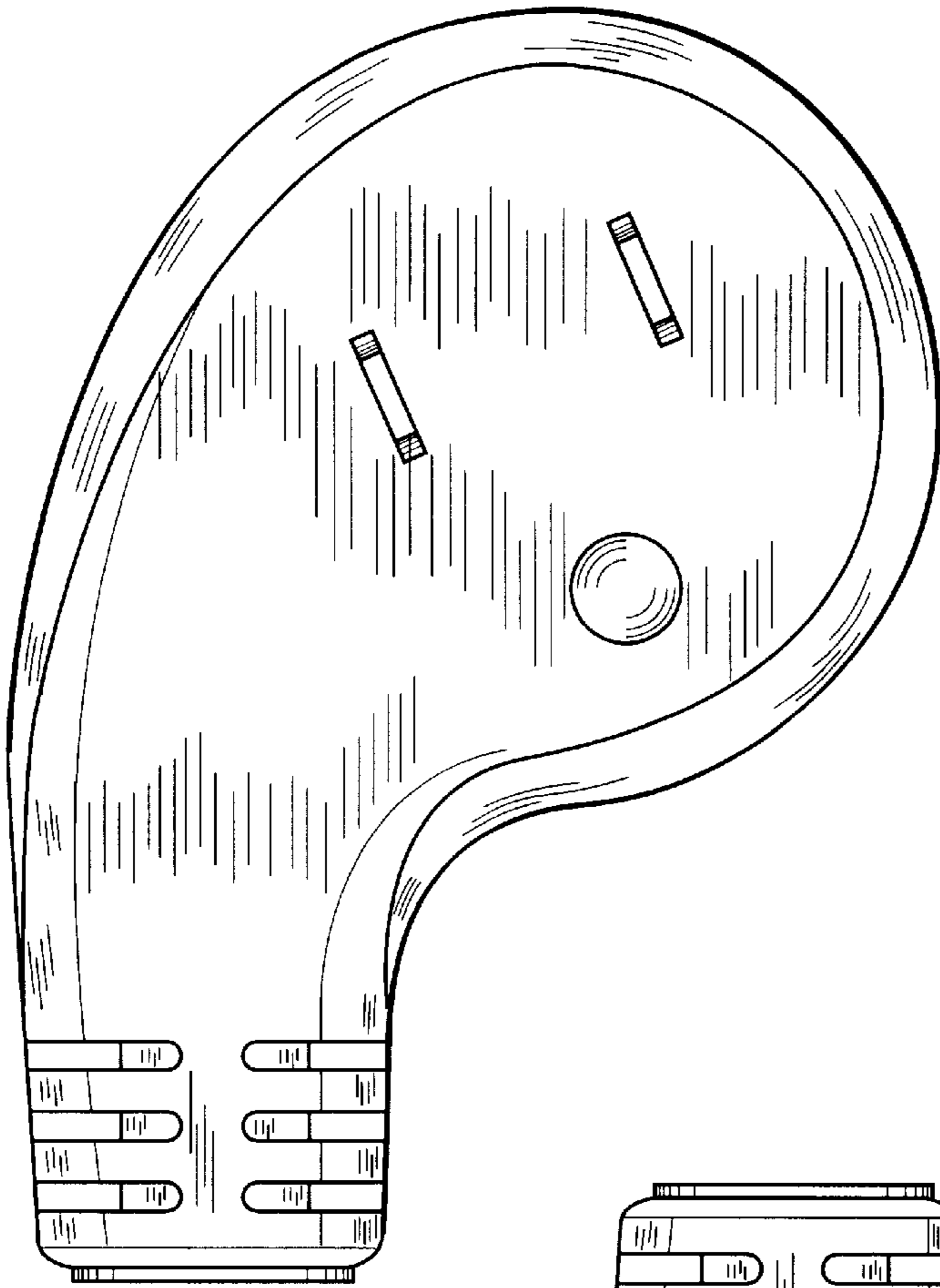


FIG. 3

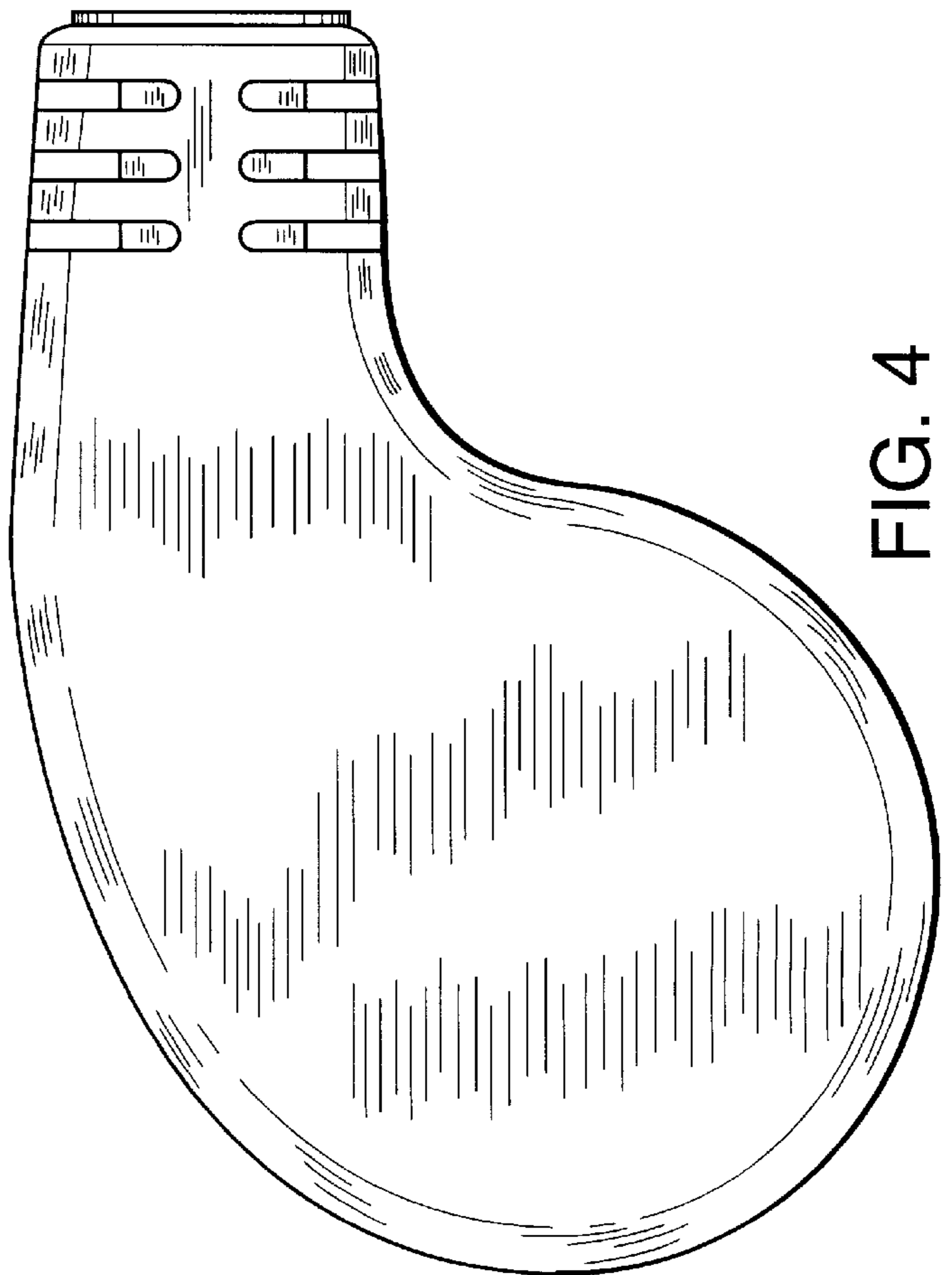


FIG. 4

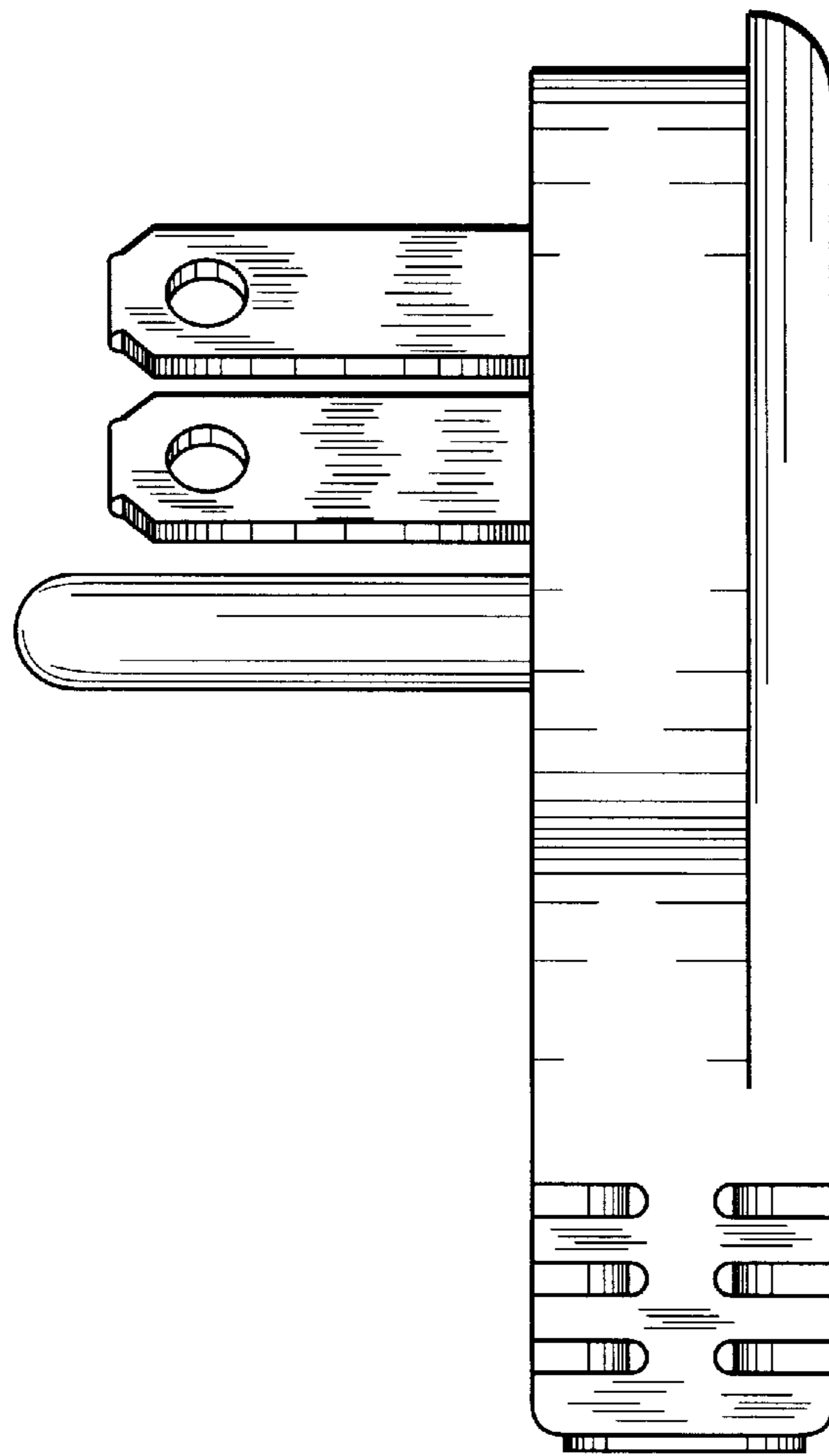


FIG. 5

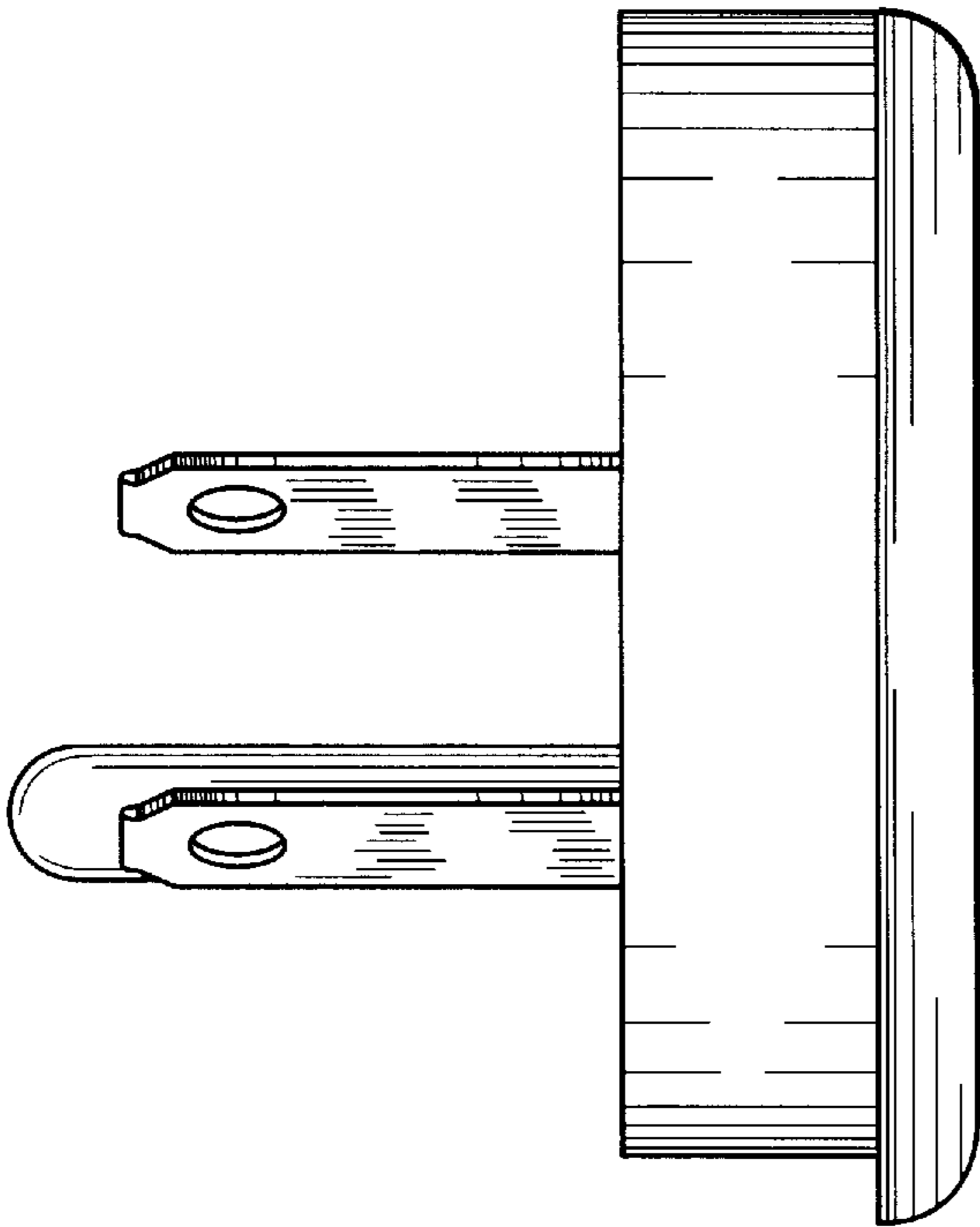


FIG. 6

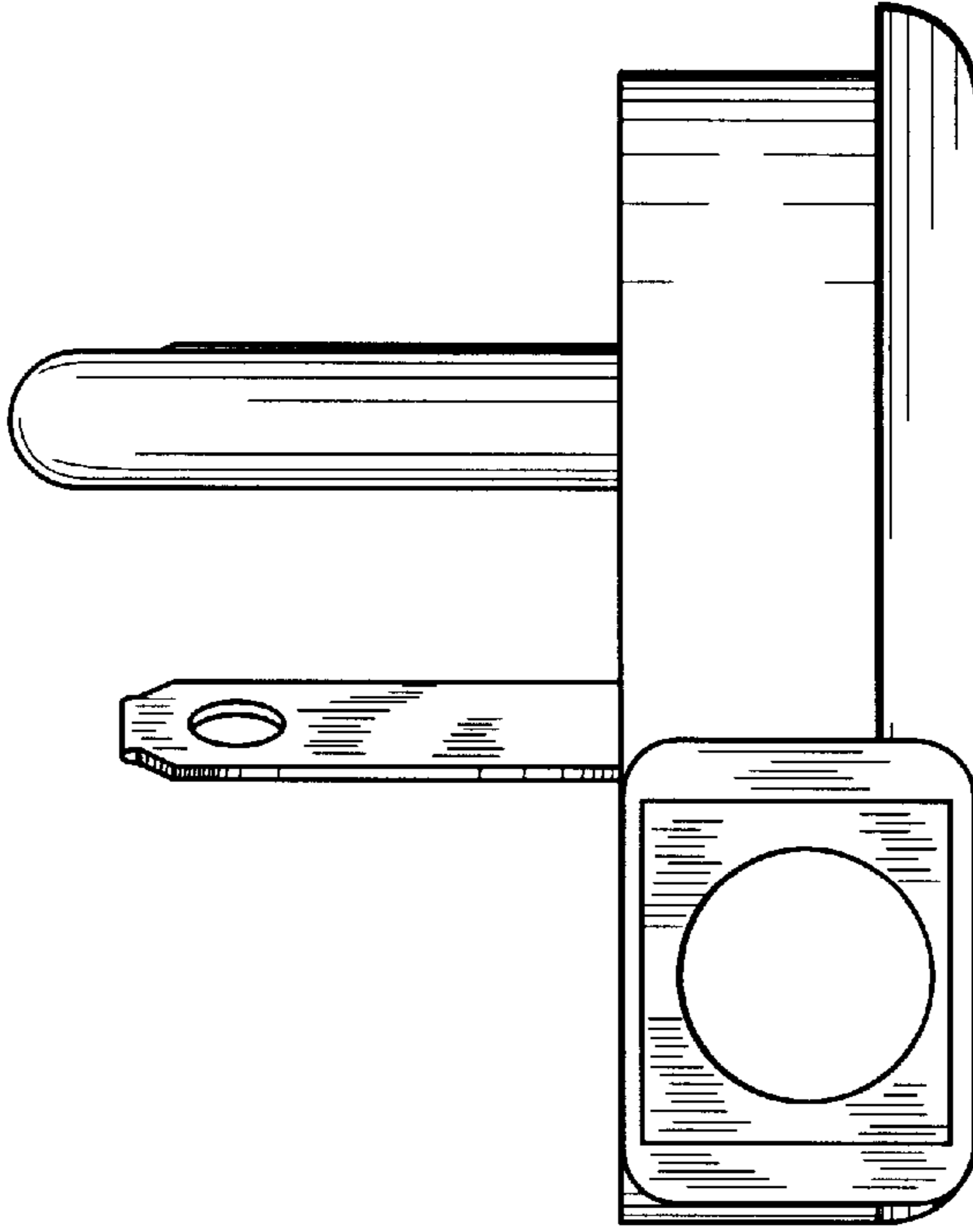


FIG. 7