



US00D405221S

United States Patent [19]
Dal Monte

[11] **Patent Number: Des. 405,221**
[45] **Date of Patent: **Feb. 2, 1999**

[54] **CIGAR**
[75] Inventor: **Giuseppe A. Dal Monte**, West Hollywood, Calif.
[73] Assignee: **Cigaramerica, Inc.**, Burbank, Calif.
[**] Term: **14 Years**
[21] Appl. No.: **88,555**
[22] Filed: **May 27, 1998**

456,312	7/1891	Moonelis	131/360
582,265	5/1897	Campbell	131/360
1,105,884	8/1914	Crites	135/118
1,223,362	4/1917	Bock	131/364
2,027,596	1/1936	Kurz	426/102 X
2,110,053	3/1938	Phillips	411/44
2,330,954	10/1943	Cotera	15/424
2,364,849	12/1944	Ibbotson et al.	144/346
2,431,156	11/1947	Wonders	15/424 X
2,835,017	5/1958	Hoerr	135/118

Related U.S. Application Data

[62] Division of Ser. No. 82,636, Jan. 15, 1998.
[51] **LOC (6) Cl.** **27-01**
[52] **U.S. Cl.** **D27/101**
[58] **Field of Search** D27/101, 100, D27/192, 188; D1/106, 125-128, 199; 15/424; 135/118; D19/53, 55, 41, 42, 45; 403/265, 292; 411/44; D25/120, 121, 126, 128-130; D9/306; 52/730.7; 131/58, 48, 85, 360-365; D21/255; 426/76, 104-106, 91, 125, 143, 144

References Cited

U.S. PATENT DOCUMENTS

86,101	1/1869	Reckendorfer	40/335
251,340	12/1881	Ginter	131/364
428,502	5/1890	Maggi	426/576
447,873	3/1891	Hanimann	15/424

OTHER PUBLICATIONS

Nat Sherman's Cigar Page, Nat Sherman's Catalog, Nov. 1985.
Bethlehem Steel Bars, p. 8, Nov. 1937.
Bethlehem Steel Bars, p. 13, Nov. 1937.

Primary Examiner—Susan J. Lucas
Assistant Examiner—Jennifer Rivard

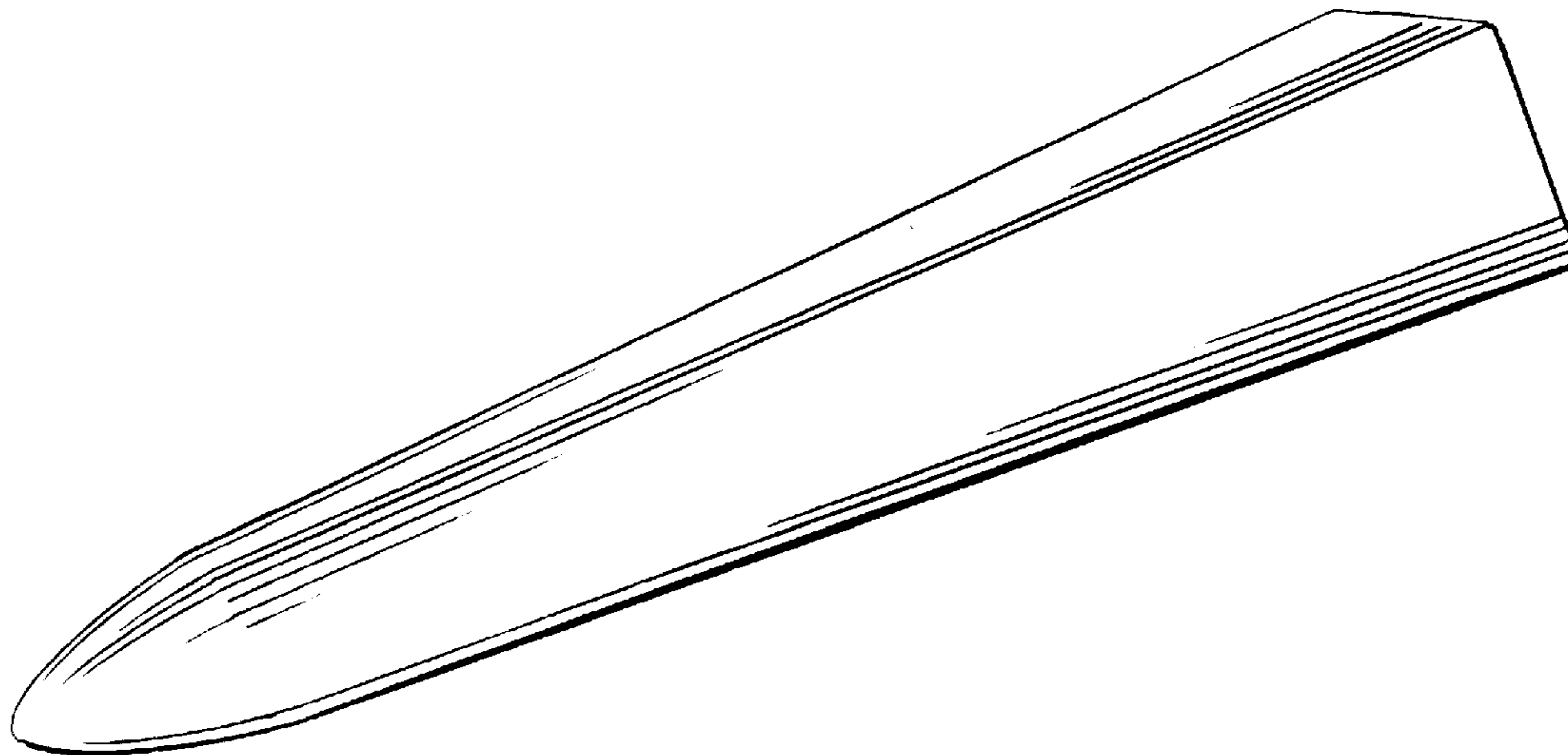
CLAIM

The ornamental design for a cigar, as shown and described.

DESCRIPTION

FIG. 1 is a perspective view of a cigar according to my new design;
FIG. 2 is a rear elevation view of FIG. 1;
FIG. 3 is a front elevation view of FIG. 1; and,
FIG. 4 is a left side elevation view of FIG. 1. The right side elevation view and the top and bottom plan views are mirror images of FIG. 4.

1 Claim, 1 Drawing Sheet



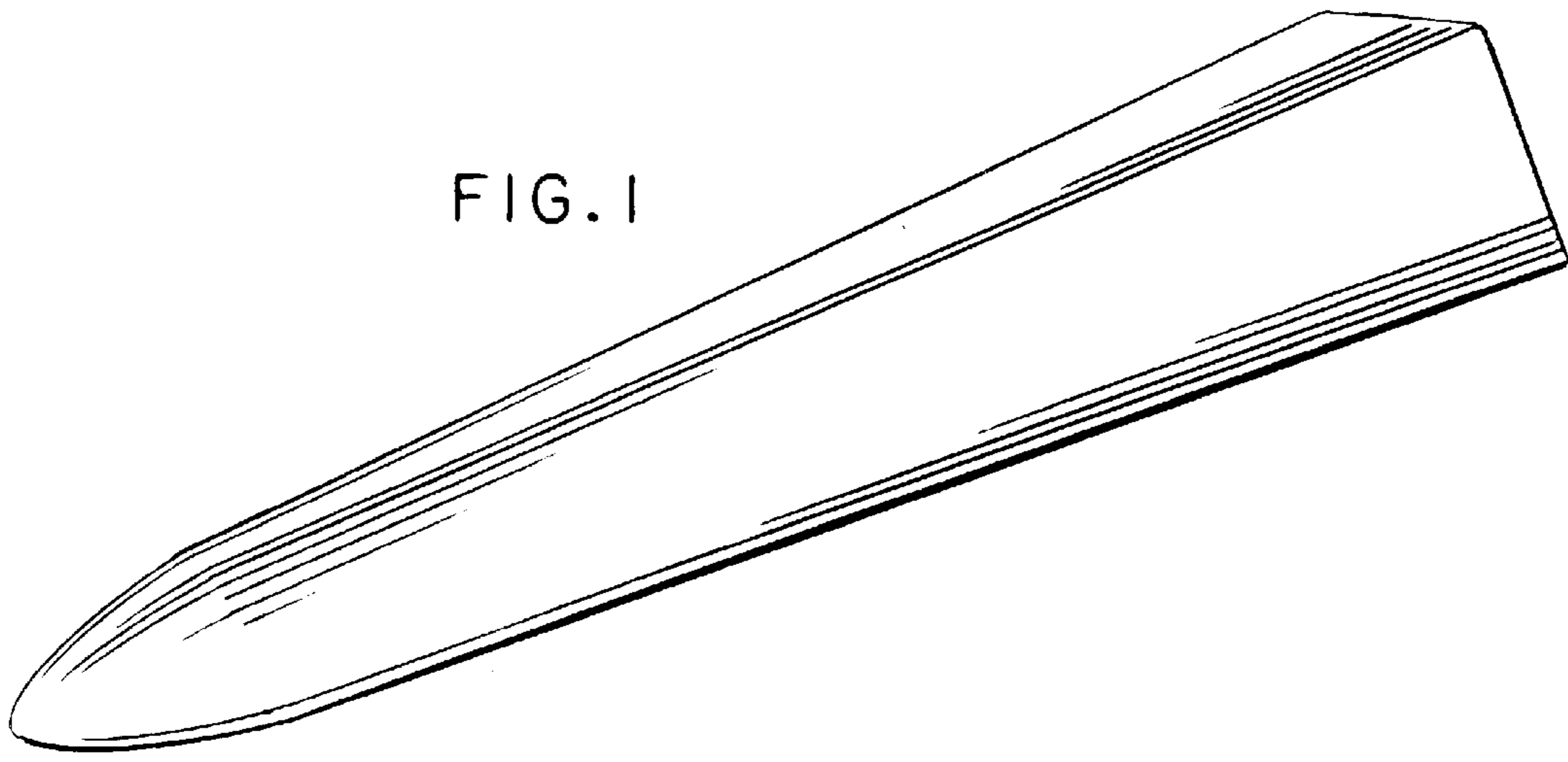


FIG. 2

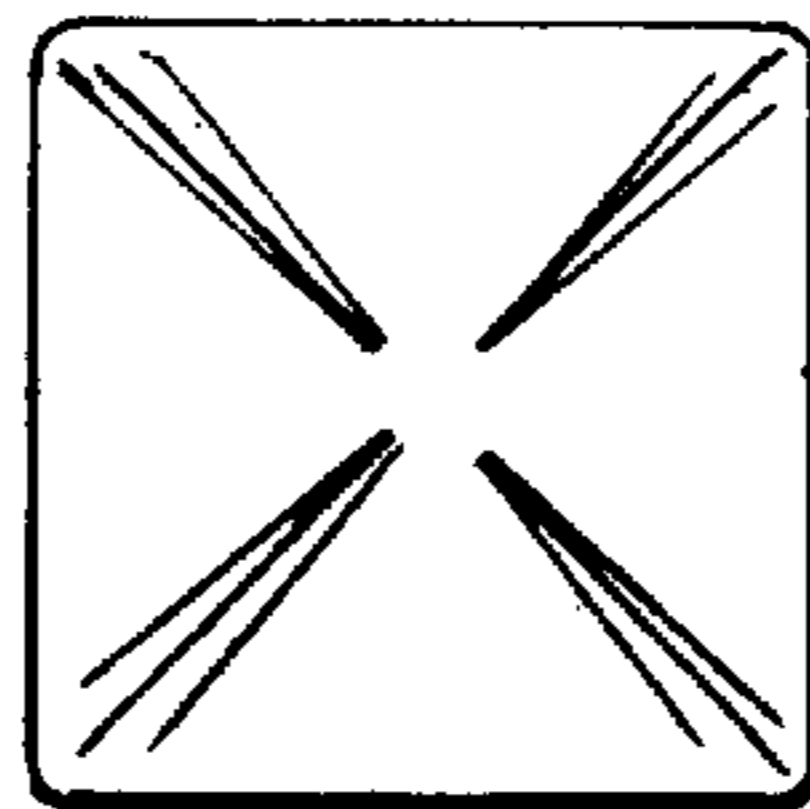


FIG. 3

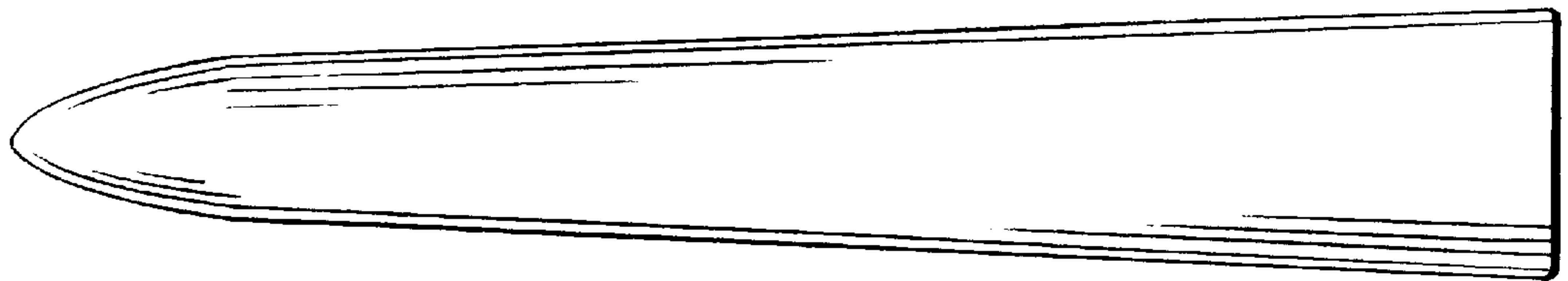
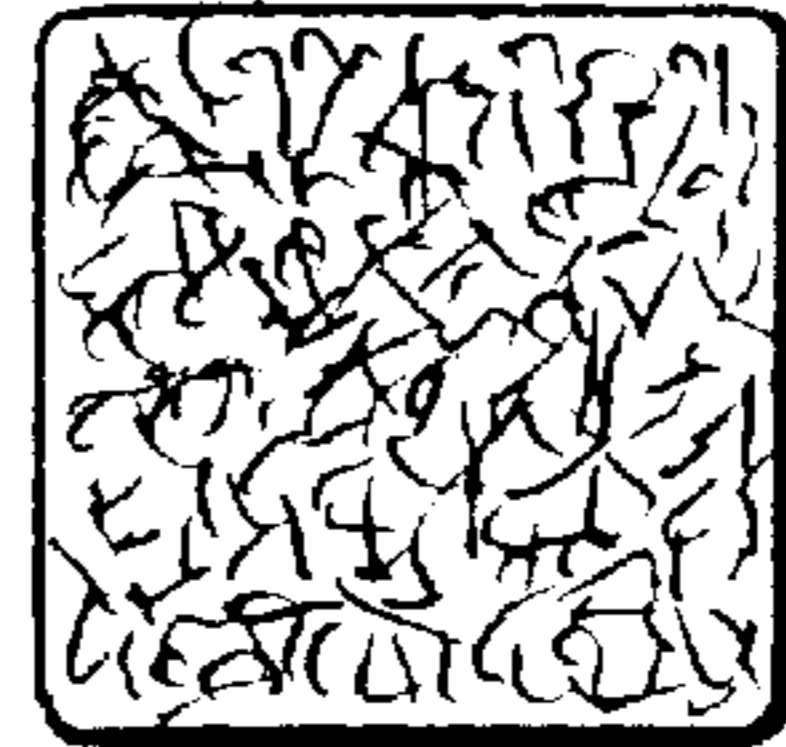


FIG. 4