



US00D405220S

United States Patent [19]

Dal Monte

[11] Patent Number: Des. 405,220

[45] Date of Patent: **Feb. 2, 1999

[54] CIGAR

[75] Inventor: Giuseppe A. Dal Monte, West Hollywood, Calif.

[73] Assignee: Cigaramerica, Inc., Burbank, Calif.

[**] Term: 14 Years

[21] Appl. No.: 82,636

[22] Filed: Jan. 15, 1998

[51] LOC (6) Cl. 27-01

[52] U.S. Cl. D27/101

[58] Field of Search D27/100-101, D27/192, 188; D1/106, 125-128, 199; 15/424; 135/118; D19/53, 55, 41-42, 45; 403/265, 292; 411/44; D25/120, 121, 126, 128-130; D9/306; 52/730.7; 131/58, 48, 85, 360-365; D21/255; 426/76, 104-106, 41, 125, 143-144

[56] References Cited

U.S. PATENT DOCUMENTS

86,101	1/1869	Reckendorfer	40/335
251,340	12/1881	Ginter	131/364
428,502	5/1890	Maggi	426/576
447,873	3/1891	Hanimann	15/424
456,312	7/1891	Moonelis	131/360
582,265	5/1897	Campbell	131/360
1,105,884	8/1914	Crites	135/118
1,223,362	4/1917	Bock	131/364
2,027,596	1/1936	Kurz	426/102 X
2,110,053	3/1938	Phillips	411/44
2,330,954	10/1943	Cotera	15/424
2,364,849	12/1944	Ibbotson et al.	144/346
2,431,156	11/1947	Wonders	15/424 X
2,835,017	5/1958	Hoerr	135/118

OTHER PUBLICATIONS

Nat Sherman's Cigar Page, Nat Sherman's Catalog, Nov. 1985.

Bethlehem Steel Bars, pp. 8, Nov. 1937.

Bethlehem Steel Bars, p. 13, Nov. 1937.

Primary Examiner—Susan J. Lucas

Assistant Examiner—Jennifer Rivard

[57] CLAIM

The ornamental design for a cigar, as shown and described.

DESCRIPTION

FIG. 1 is a perspective view of a cigar according to my design;

FIG. 2 is a rear-end elevational view of the cigar of FIG. 1;

FIG. 3 is a front-end elevational view of the cigar of FIG. 1;

FIG. 4 is a left side elevational view of the cigar of FIG. 1 (the opposite side elevational view of the cigar of FIG. 1 is a mirror image of this left side);

FIG. 5 is a top plan view of the cigar of FIG. 1 (the bottom plan view of the cigar of FIG. 1 is a mirror image of this top plan view);

FIG. 6 is a perspective view of a cigar according to my design;

FIG. 7 is a rear-end elevational view of the cigar of FIG. 6;

FIG. 8 is a front-end elevational view of the cigar of FIG. 6;

FIG. 9 is a left side elevational view of the cigar of FIG. 6 (the opposite side elevational view of the cigar of FIG. 6 is a mirror image of this left side);

FIG. 10 is top plan view of the cigar of FIG. 6;

FIG. 11 is a bottom plan view of the cigar of FIG. 6 ;

FIG. 12 is a perspective view of a cigar according to my new design;

FIG. 13 is a rear-end elevational view of the cigar of FIG. 12;

FIG. 14 is a front-end elevational view of the cigar of FIG. 12;

FIG. 15 is a left side elevational view of the cigar of FIG. 12 (the opposite side elevational and top and bottom plan views of the cigar of FIG. 12 are mirror images of this left side);

FIG. 16 is a perspective view of a cigar according to my design;

FIG. 17 is a rear-end elevational view of the cigar of FIG. 16;

FIG. 18 is a front-end elevational view of the cigar of FIG. 16;

FIG. 19 is a left side elevational view of the cigar of FIG. 16 (the opposite side elevational view of the cigar of FIG. 16 is a mirror image of this left side);

FIG. 20 is a top plan view of the cigar of FIG. 16;

FIG. 21 is a bottom plan view of the cigar of FIG. 16;

FIG. 22 is a perspective view of a cigar according to my design;

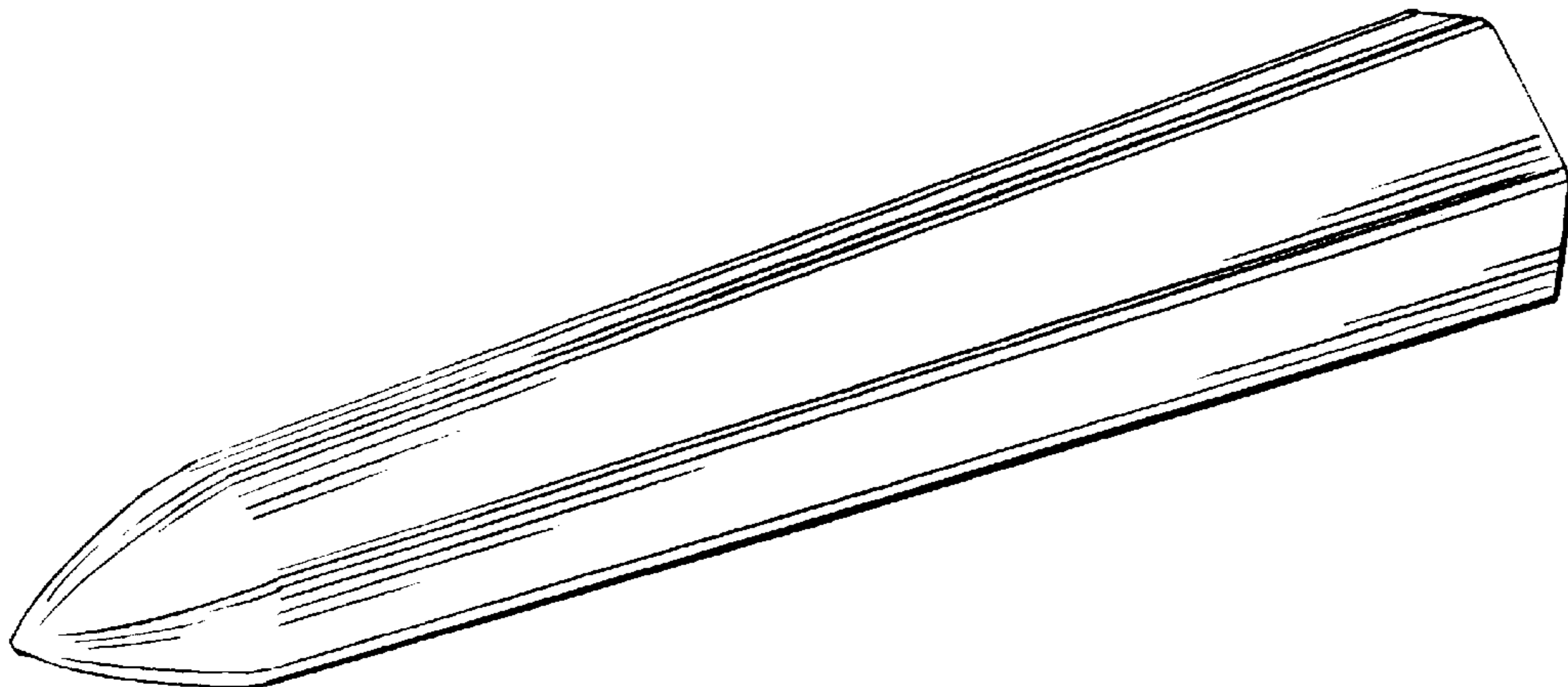


FIG. 23 is a rear-end elevational view of the cigar of FIG. 22;

FIG. 24 is a front-end elevational view of the cigar of FIG. 22;

FIG. 25 is a left side elevational view of the cigar of FIG. 22 (the opposite side elevational view of the cigar of FIG. 22 is a mirror image of this left side); and,

FIG. 26 is a top plan view of the cigar of FIG. 22 (the bottom plan view of the cigar of FIG. 22 is a mirror image of this top plan view).

1 Claim, 5 Drawing Sheets

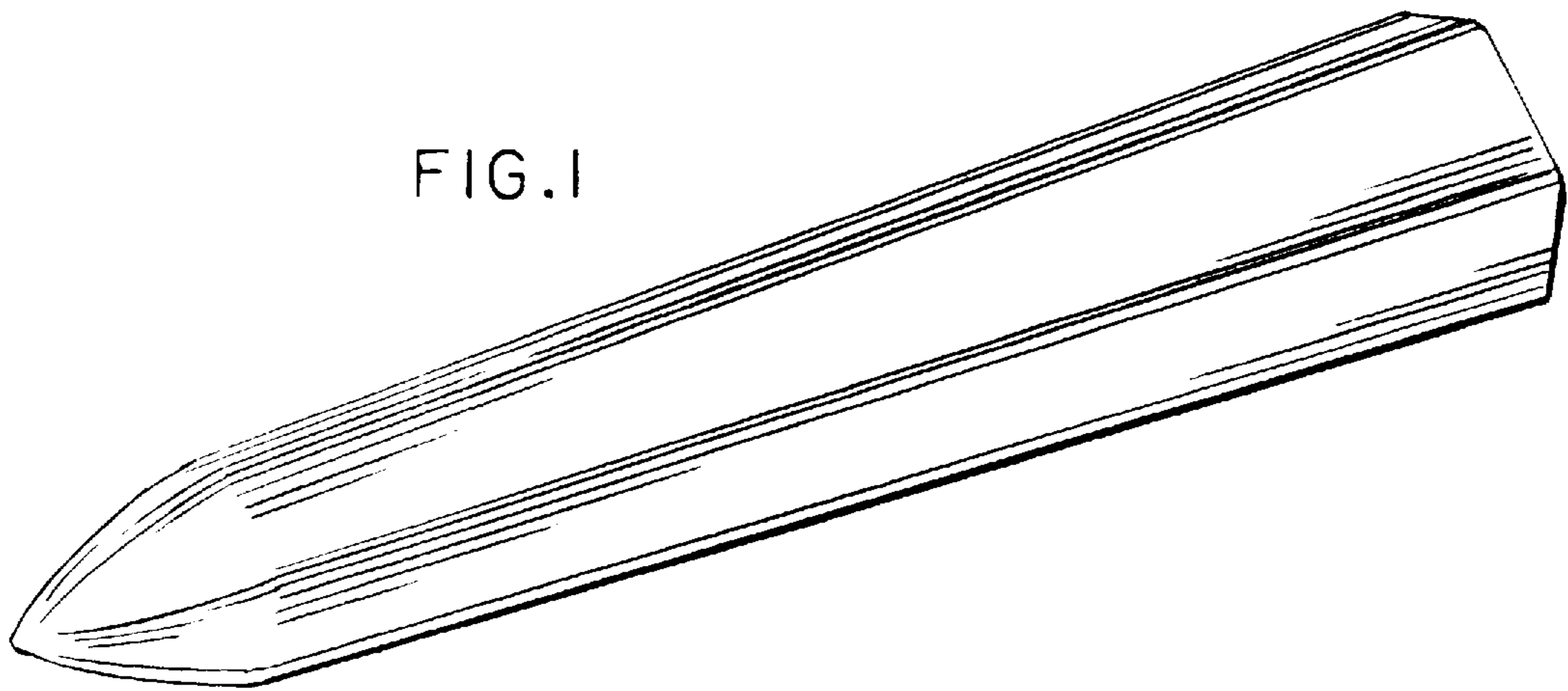


FIG. 1

FIG. 2

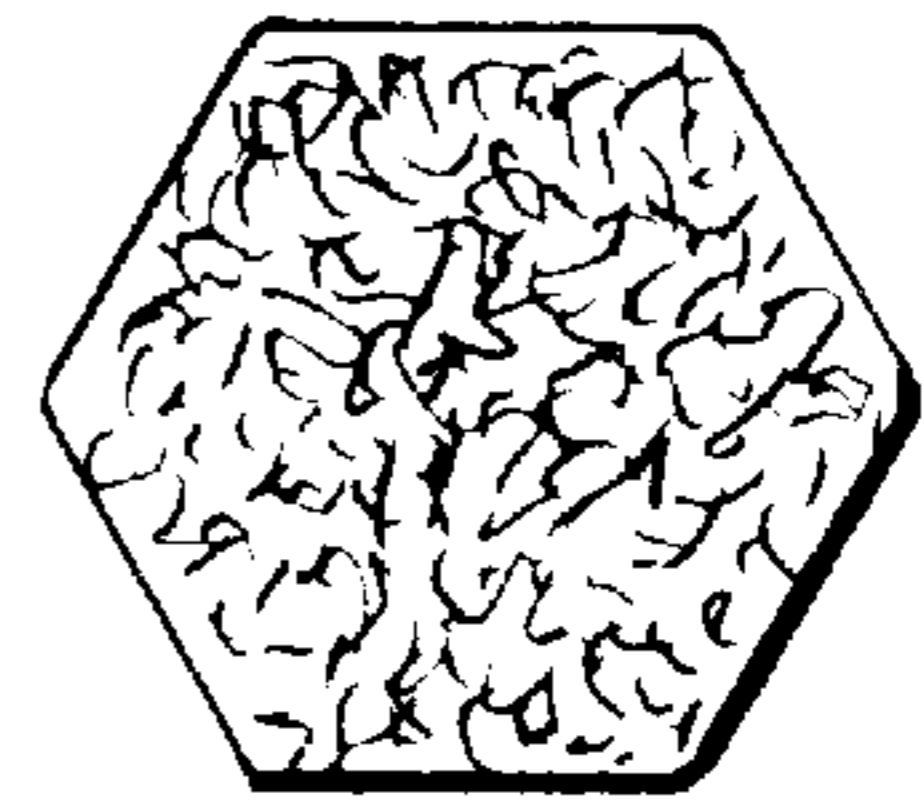


FIG. 3

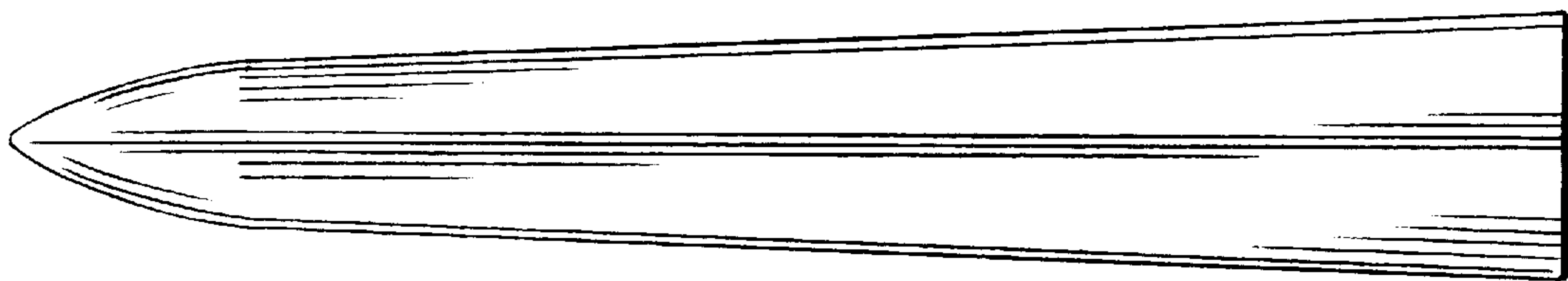
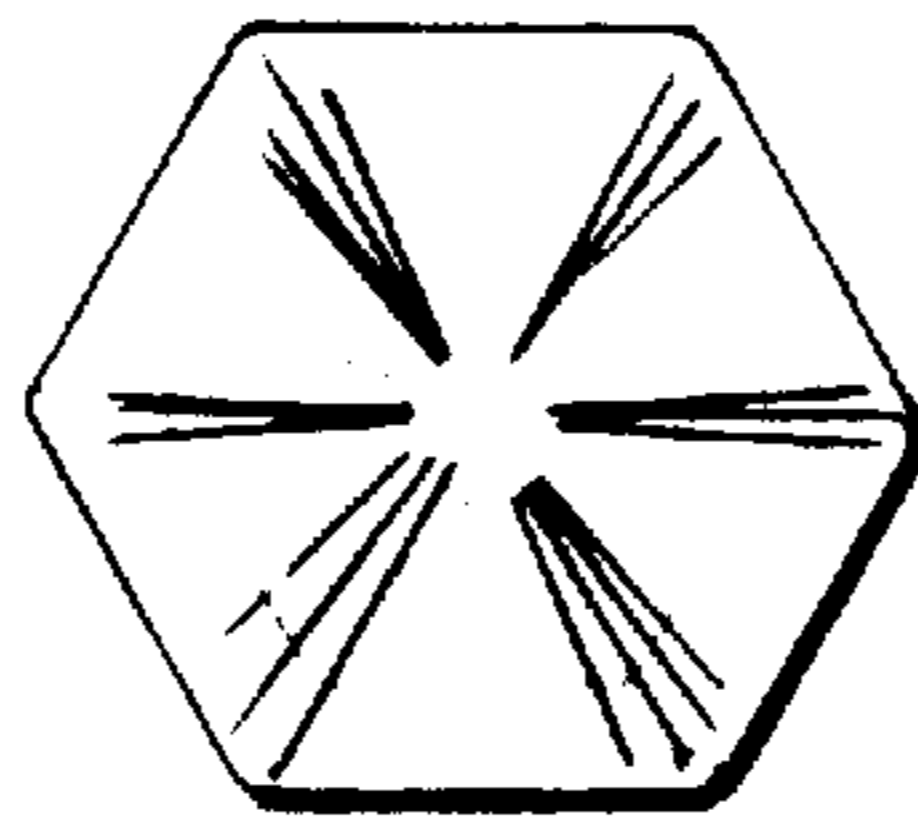


FIG. 4

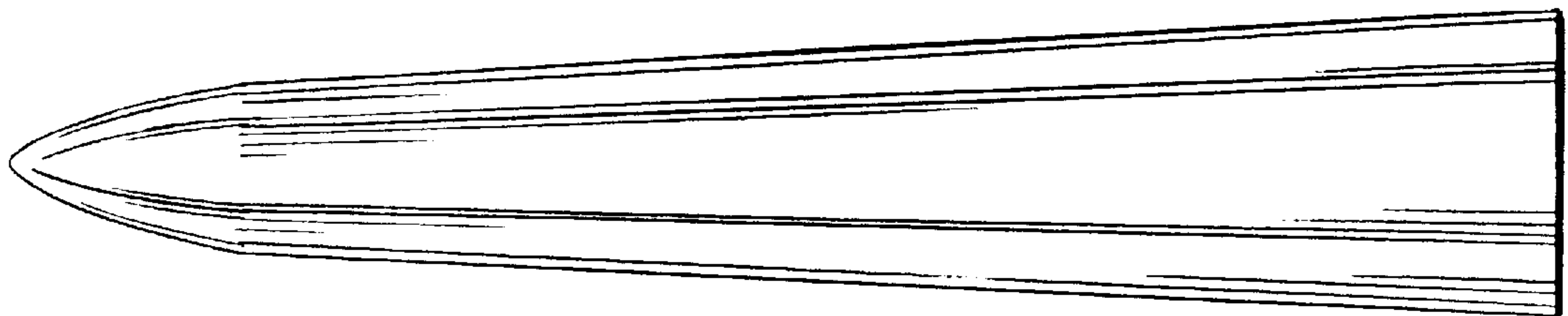


FIG. 5

FIG. 6

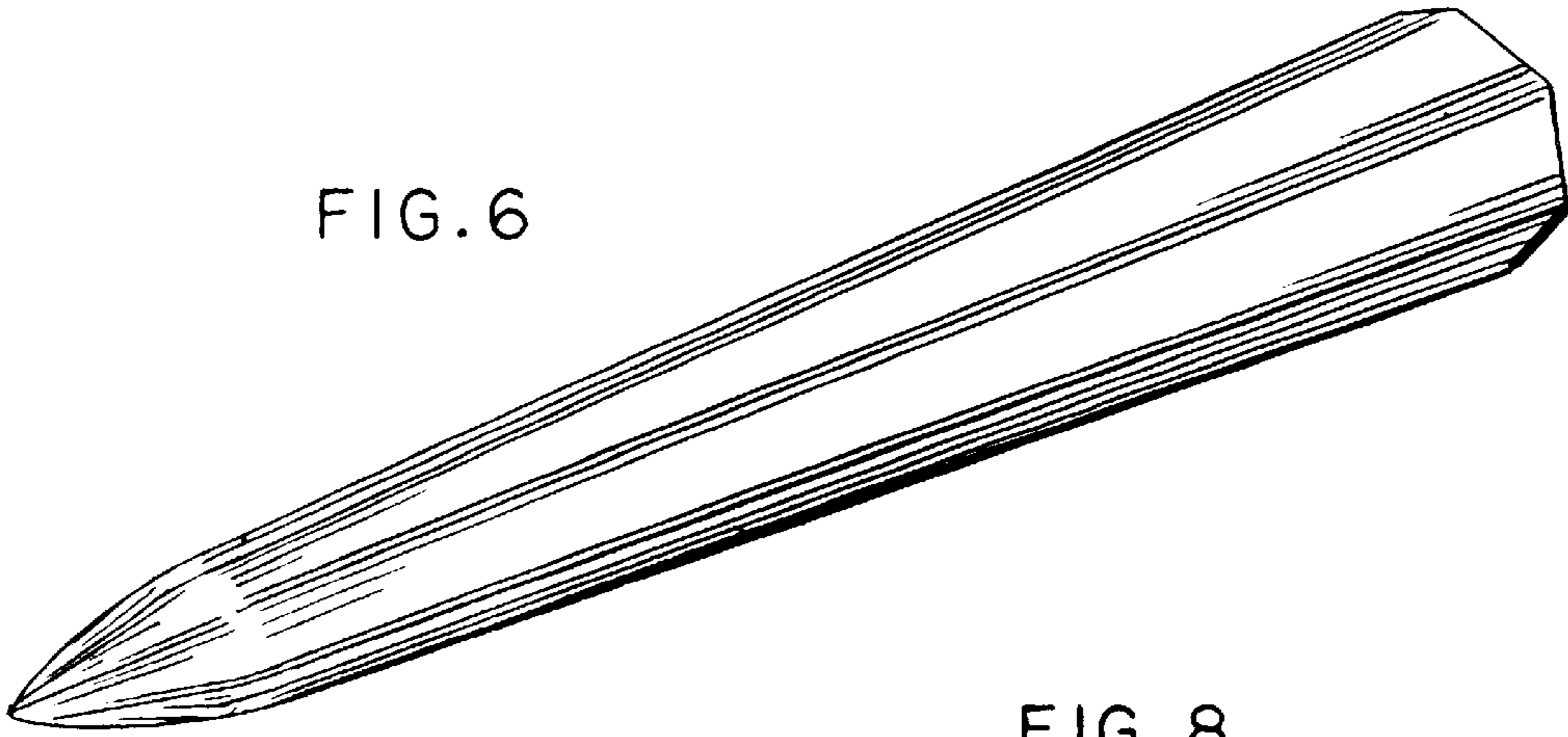


FIG. 8

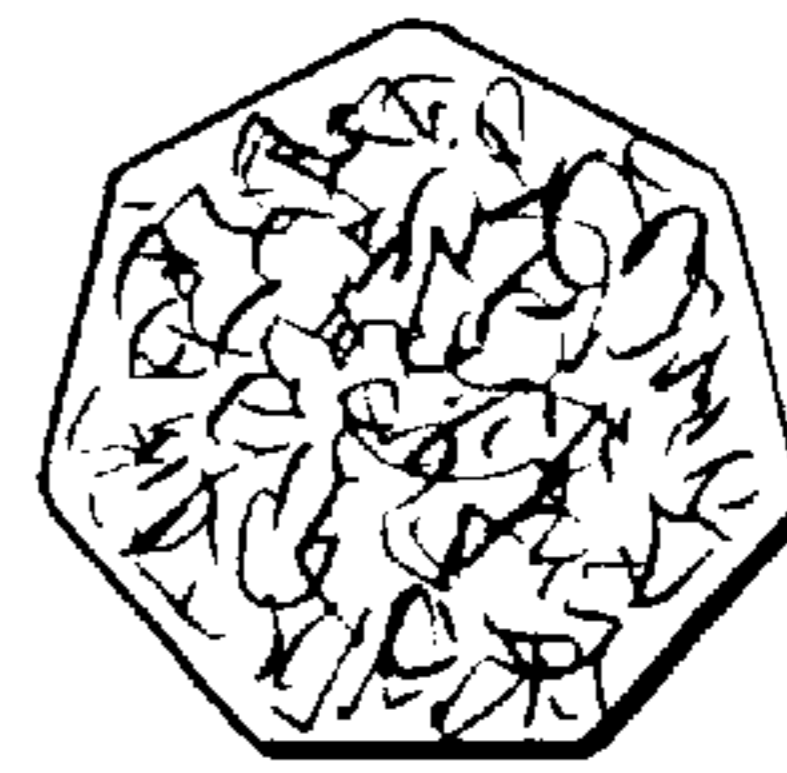


FIG. 7

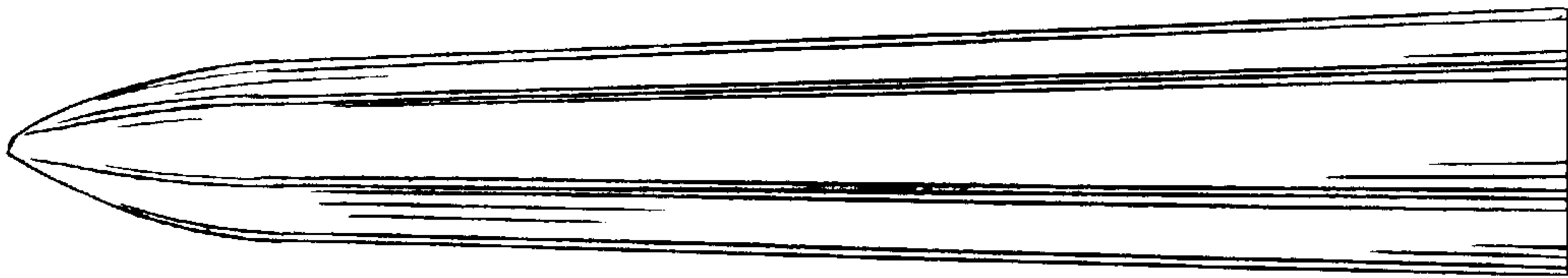
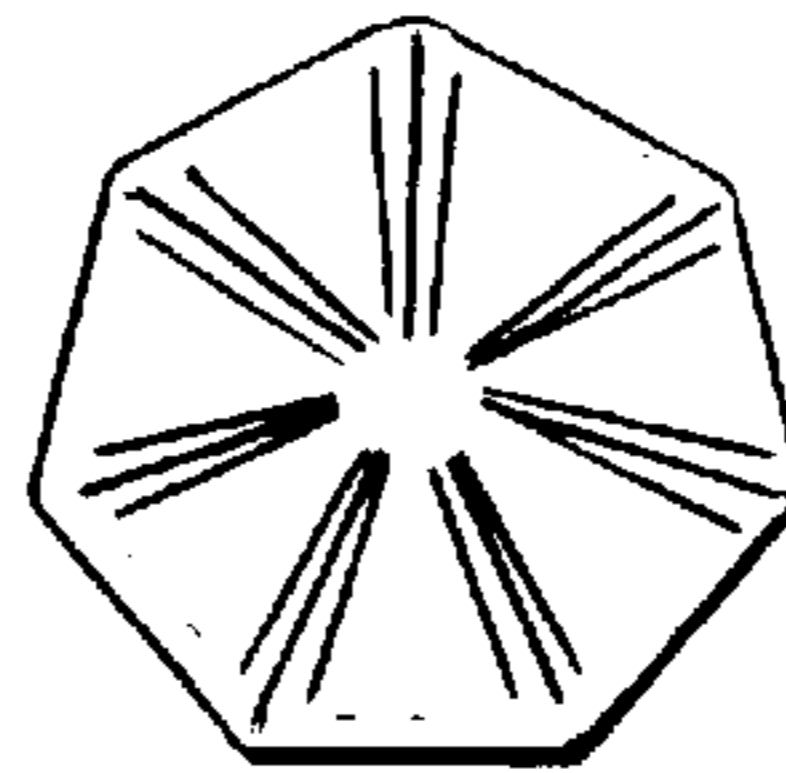


FIG. 9

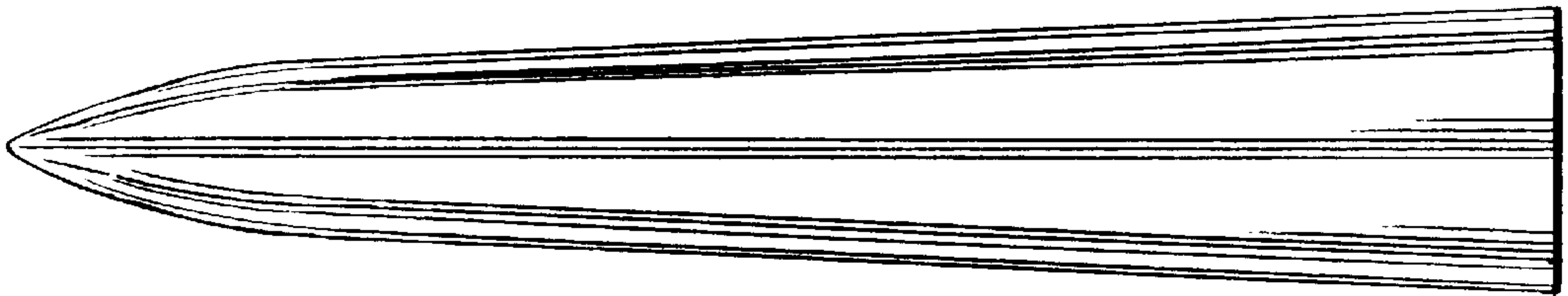


FIG. 10

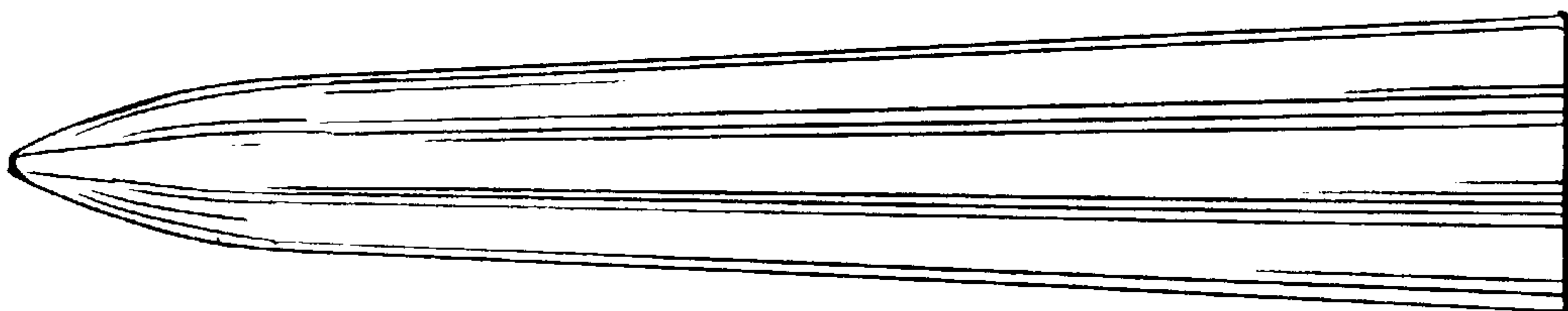


FIG. 11

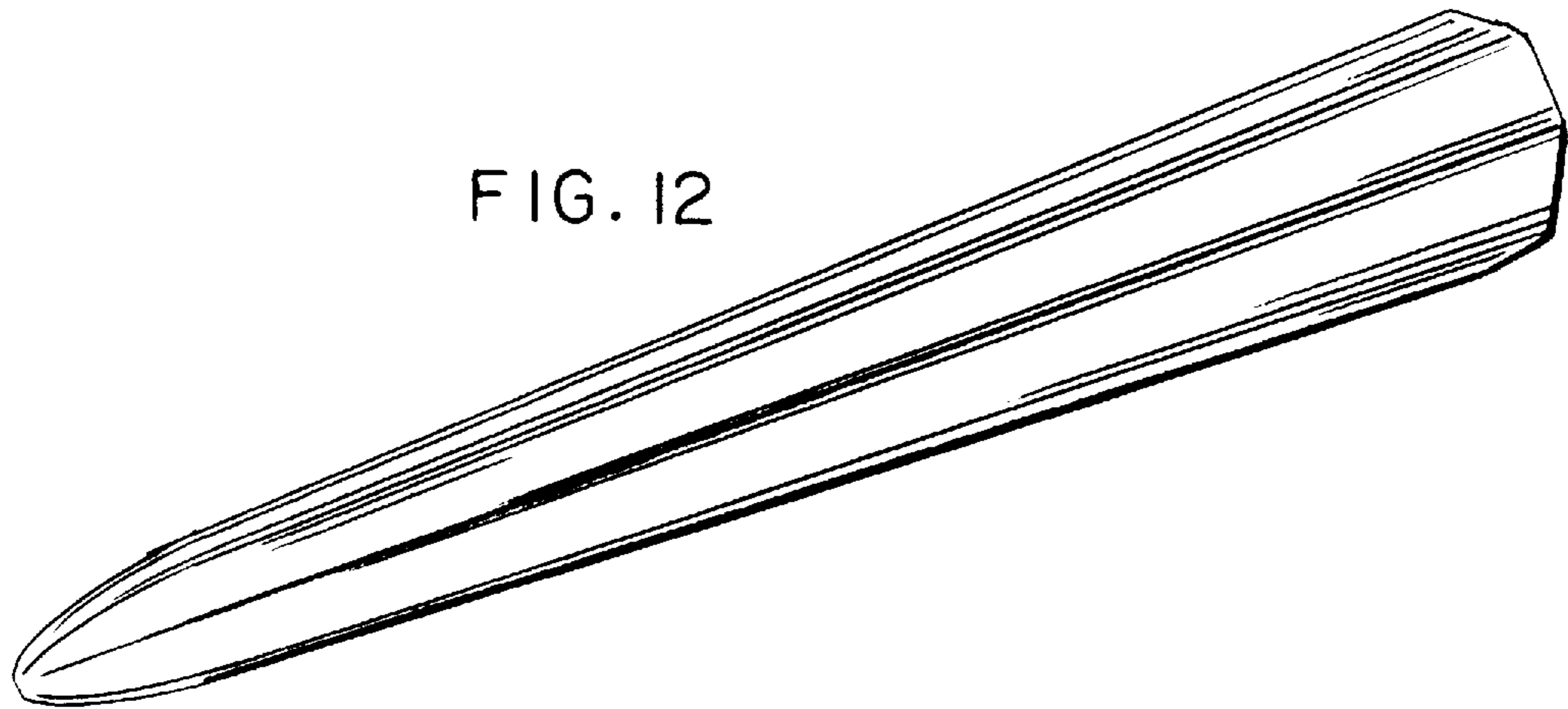


FIG. 12

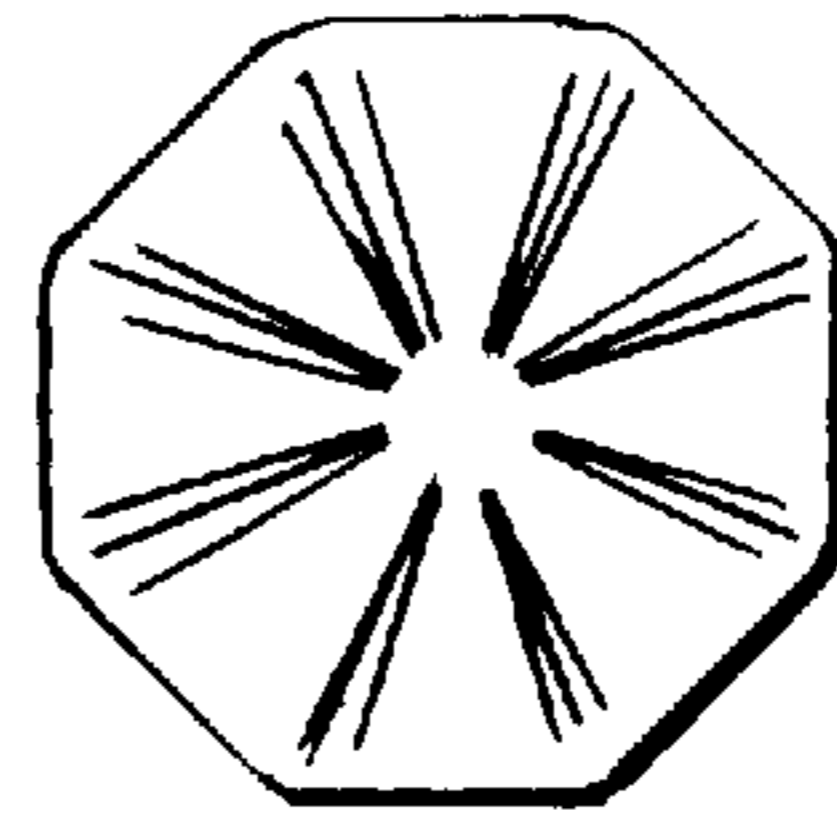


FIG. 13



FIG. 14

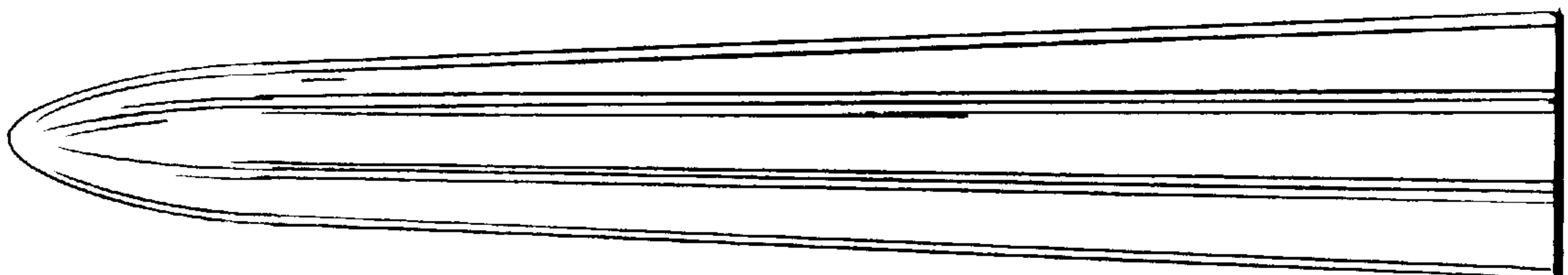


FIG. 15

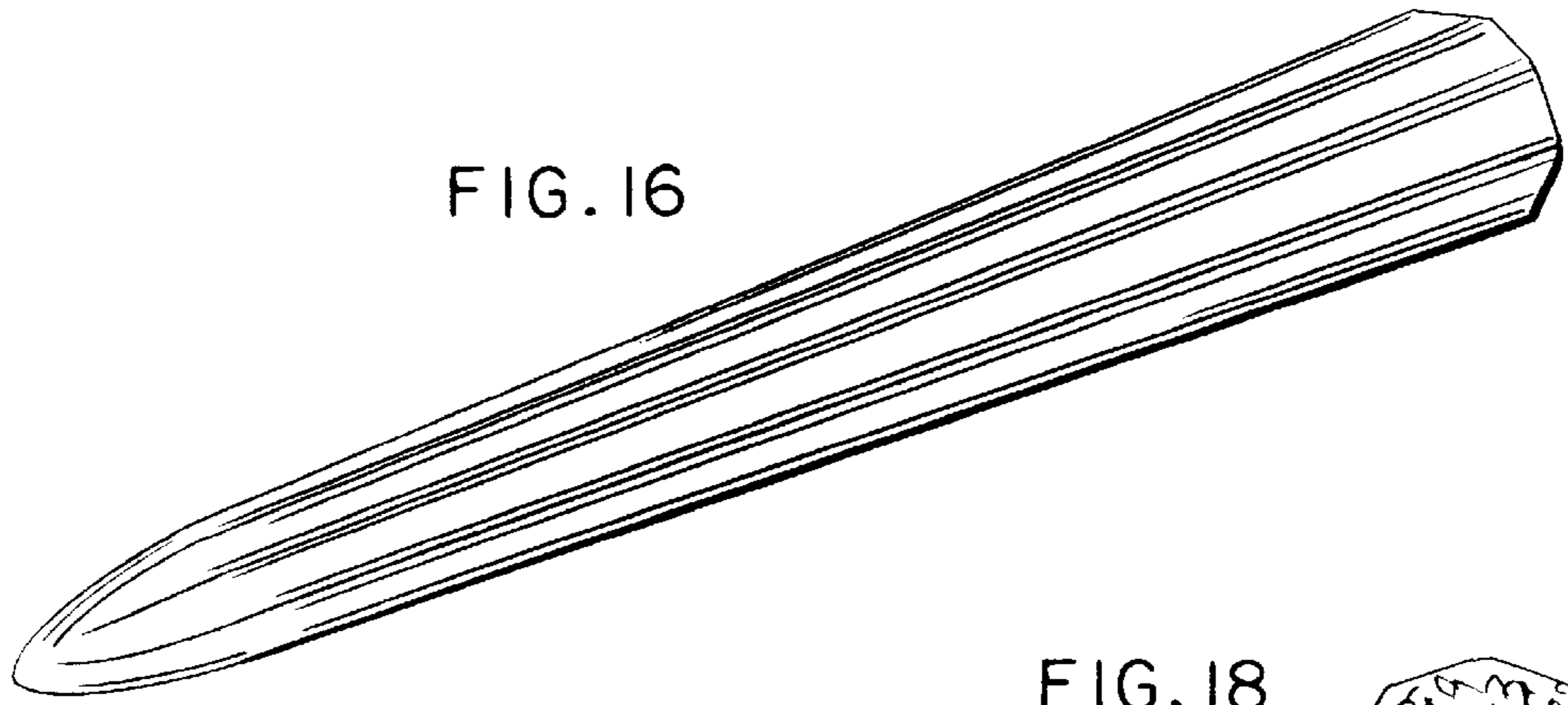


FIG. 16

FIG. 18

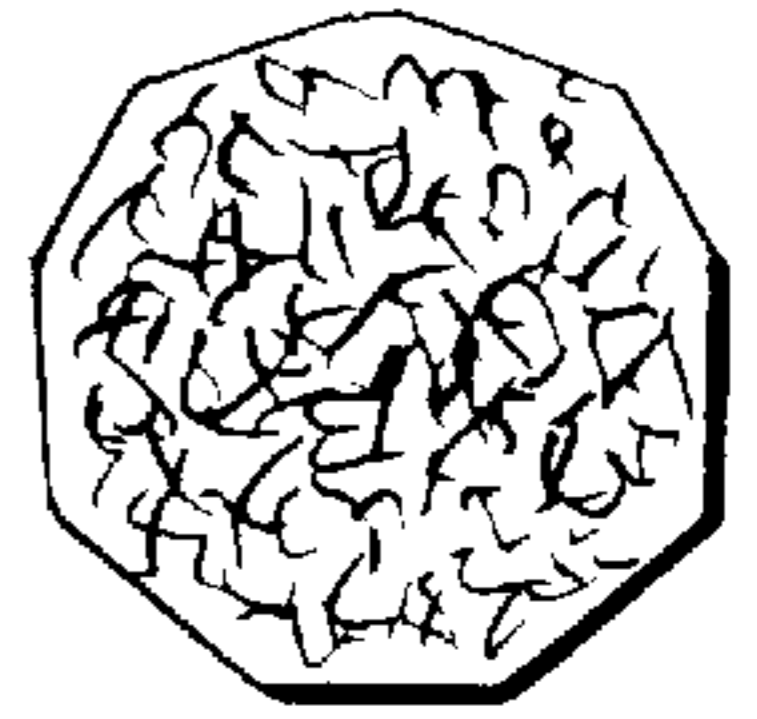


FIG. 17

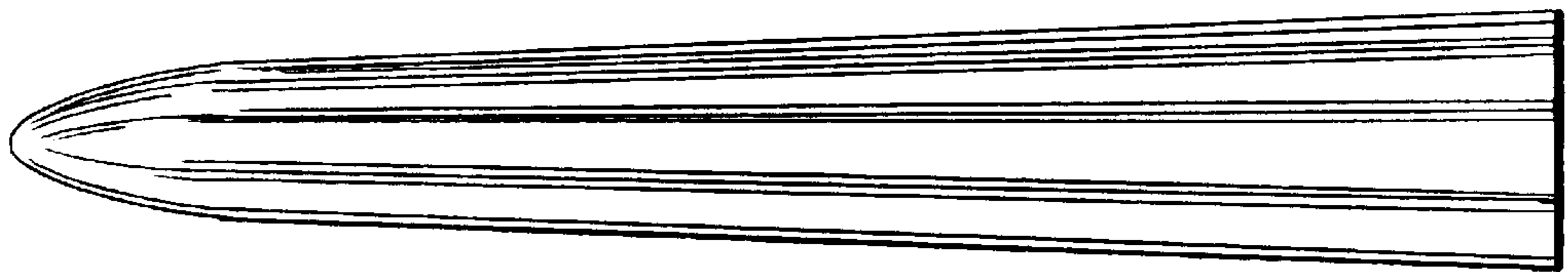
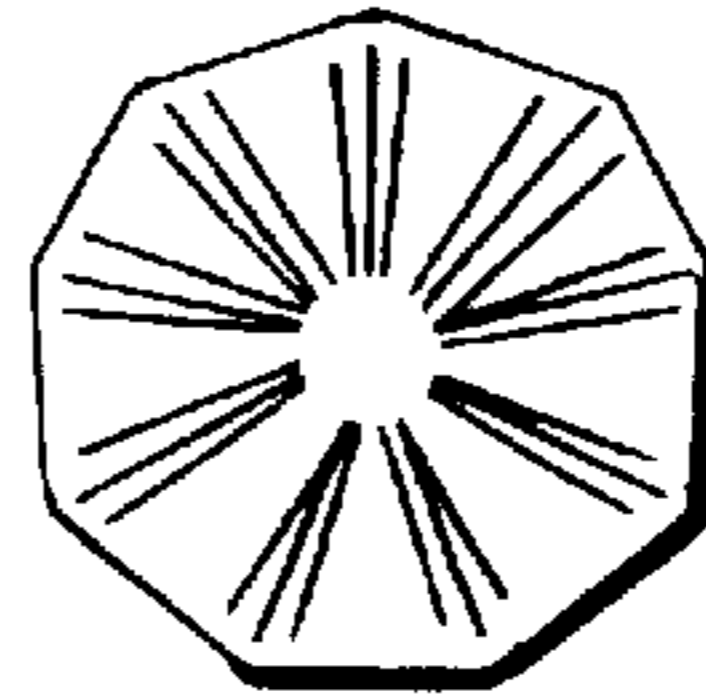


FIG. 19

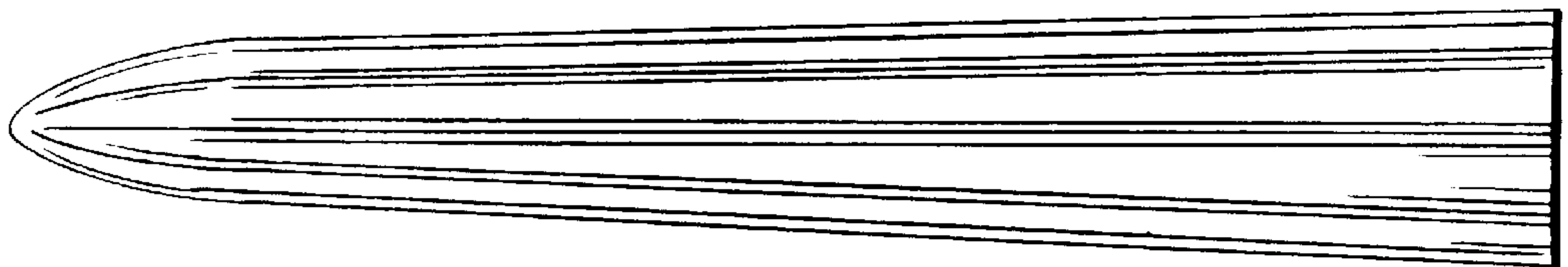


FIG. 20

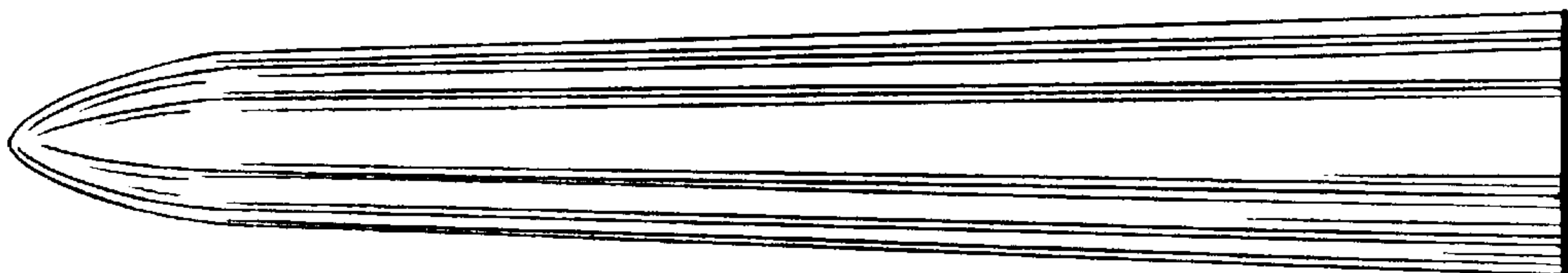


FIG. 21

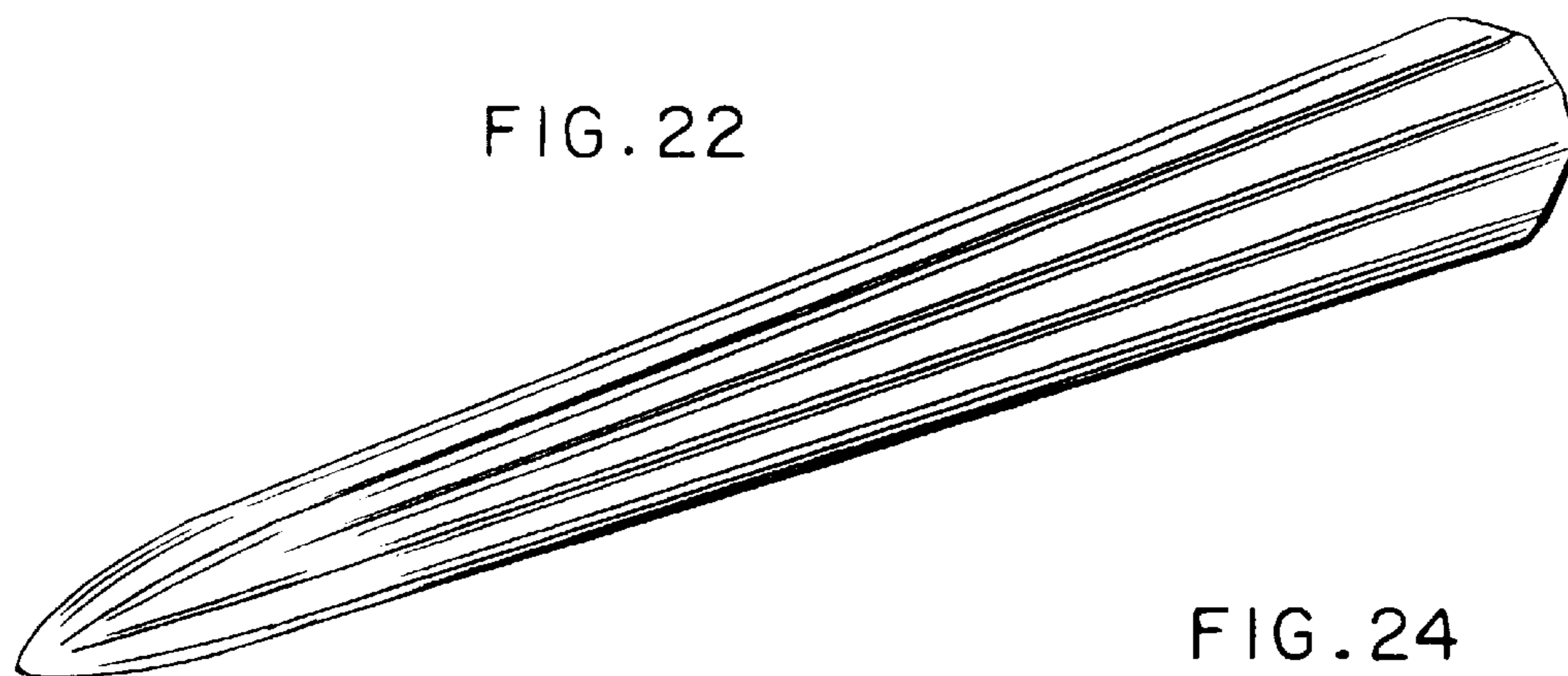


FIG. 22

FIG. 23

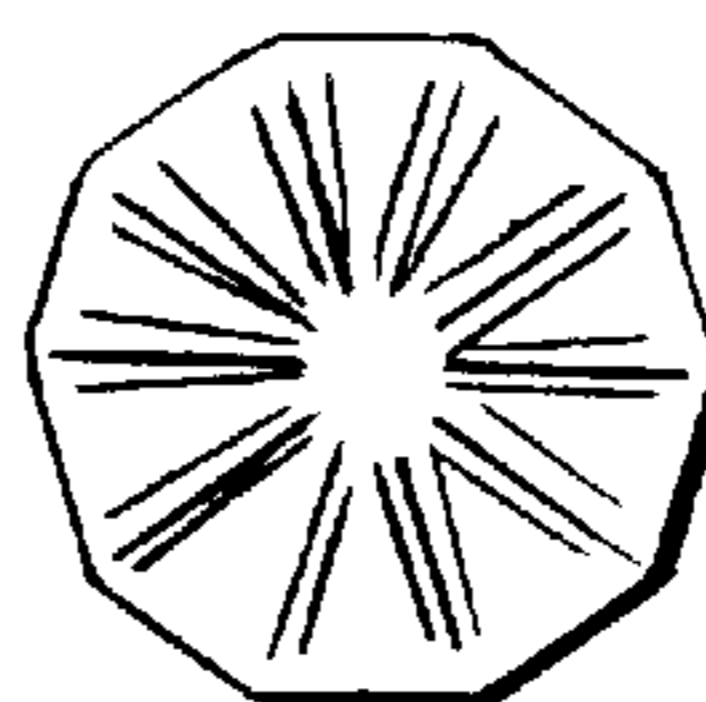


FIG. 24

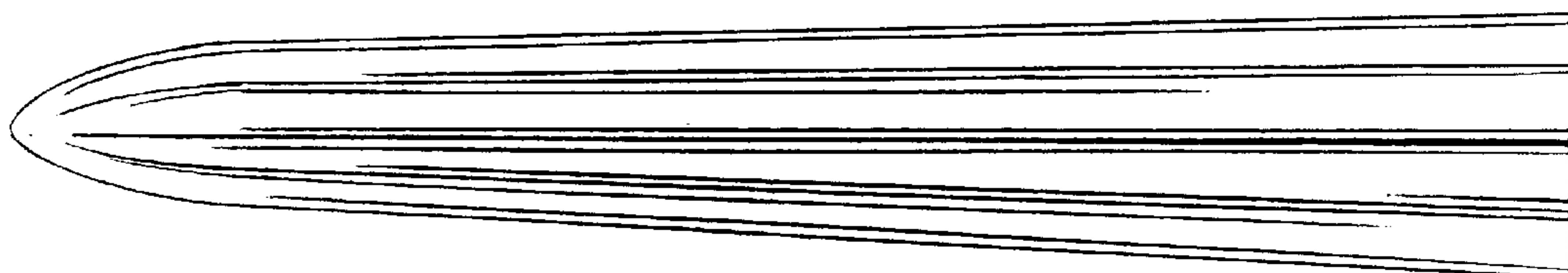


FIG. 25

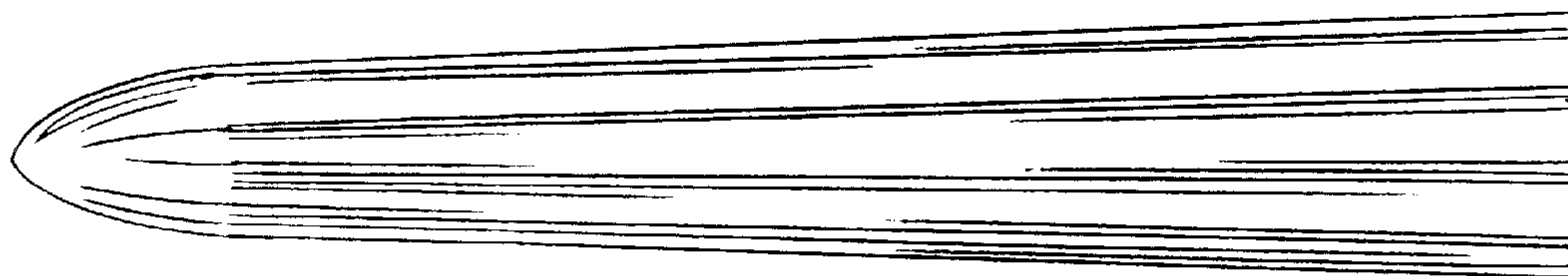


FIG. 26