

US00D405209S

United States Patent [19]

Walz

[11] **Patent Number:** **Des. 405,209**

[45] **Date of Patent:** ****Feb. 2, 1999**

[54] **PENDANT LAMP**

2,565,741 8/1951 Runge D26/77 X

[76] Inventor: **Kevin R. Walz**, Via Giacinto Carini,
11, 00152 Roma, Italy

Primary Examiner—Susan J. Lucas
Attorney, Agent, or Firm—Gottlieb, Rackman & Reisman,
P.C.

[**] Term: **14 Years**

[57] CLAIM

[21] Appl. No.: **82,150**

The ornamental design for a pendant lamp, as shown and described.

[22] Filed: **Jan. 15, 1998**

[51] **LOC (6) Cl.** **26-05**

[52] **U.S. Cl.** **D26/86; D26/118; D26/128**

[58] **Field of Search** D26/72, 80-92,
D26/128, 131, 132, 118; 362/147, 404-408,
350, 351, 363, 326, 329, 340, 341, 346,
349

DESCRIPTION

FIG. 1 is a front, bottom and right side perspective view thereof, with a portion being shown in dotted lines for environmental purposes only;

FIG. 2 is a top plan view thereof;

FIG. 3 is a left side elevational view, the right side being a mirror image thereof;

FIG. 4 is a front elevational view, the rear view being a mirror image thereof; and,

FIG. 5 is a bottom plan view thereof.

[56] References Cited

U.S. PATENT DOCUMENTS

- D. 34,436 3/1901 Evans D26/136
- D. 160,417 10/1950 Nitardy D26/77
- D. 360,271 7/1995 Butler D26/76

1 Claim, 2 Drawing Sheets

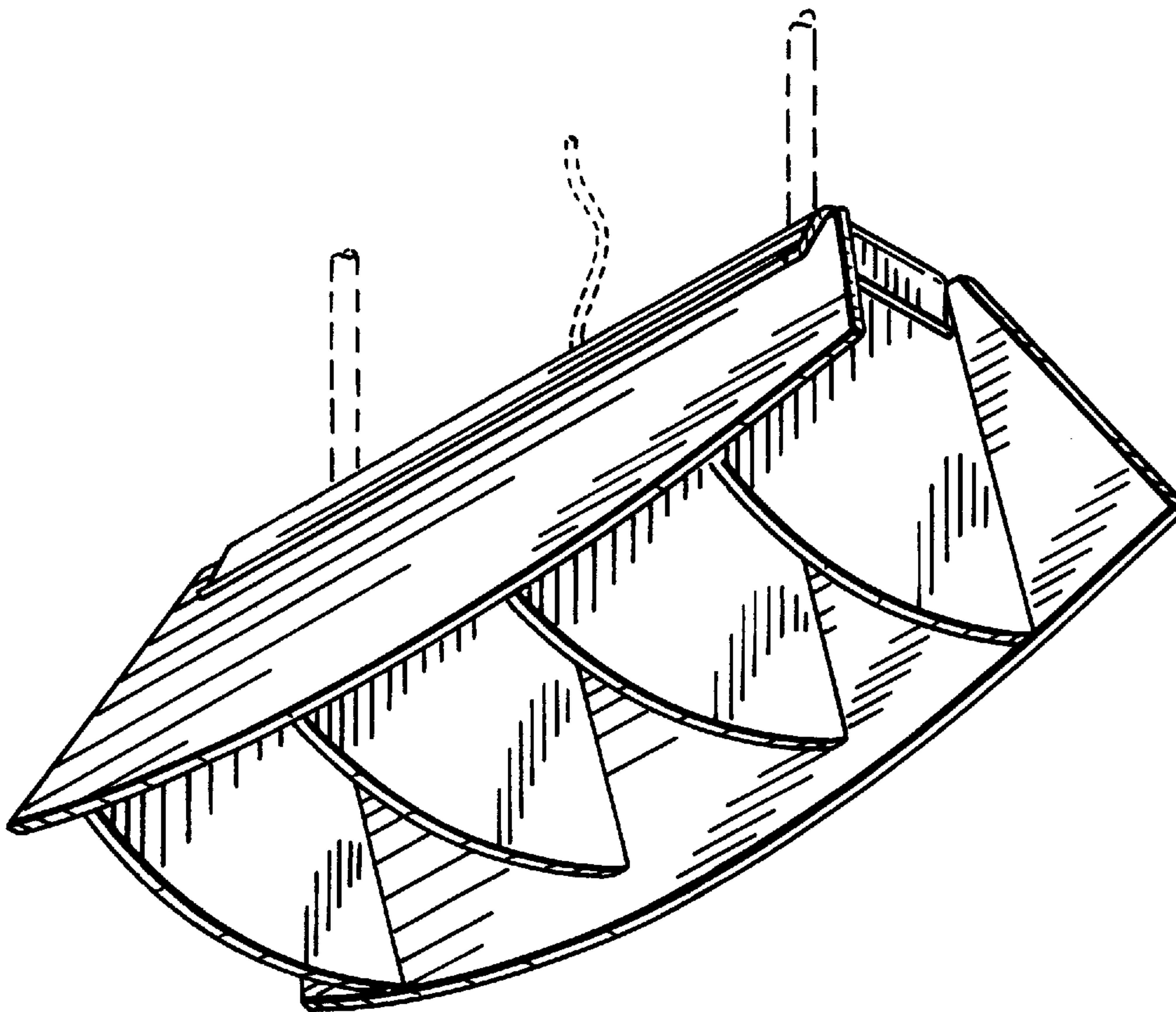


FIG. 1

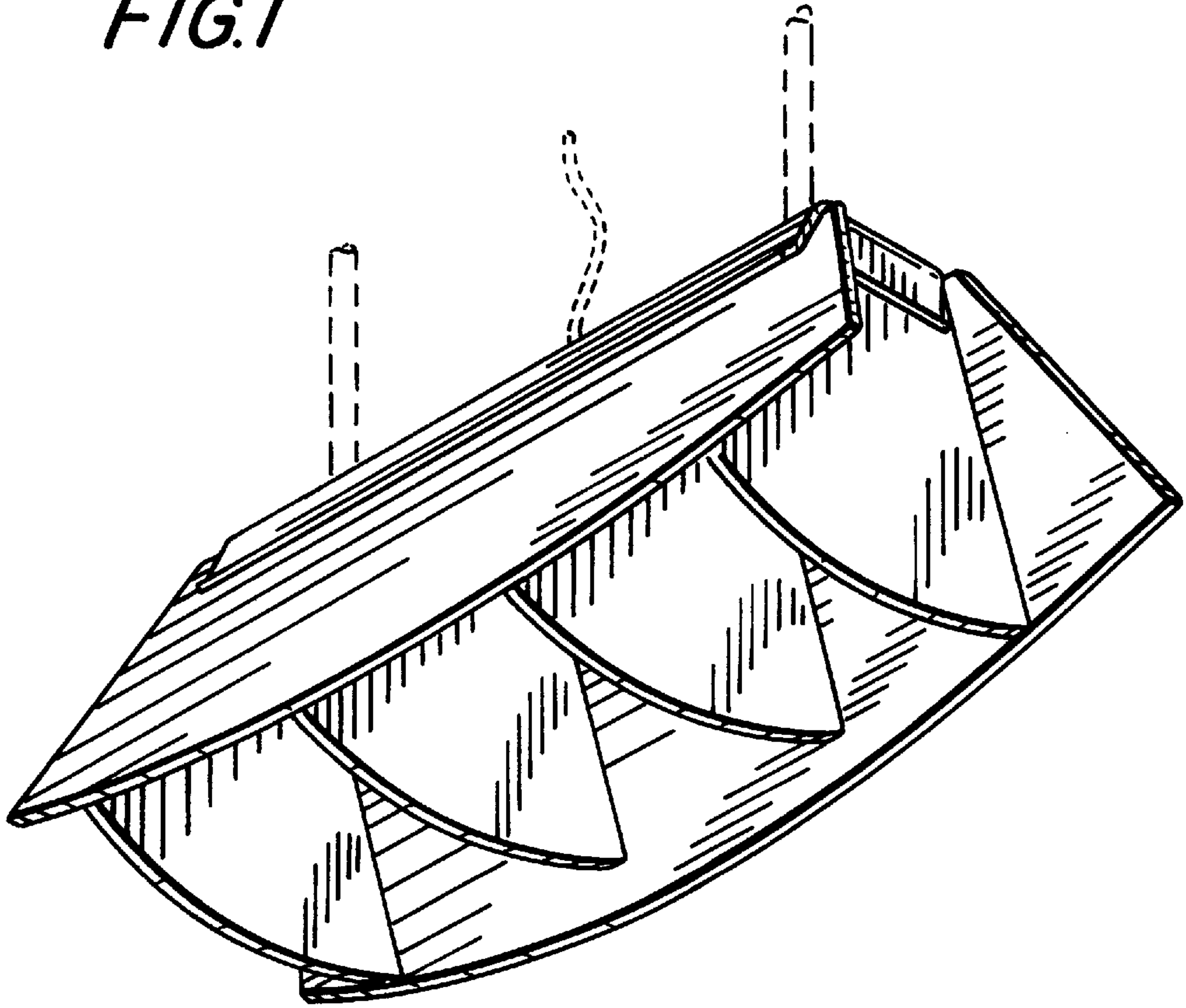


FIG. 2

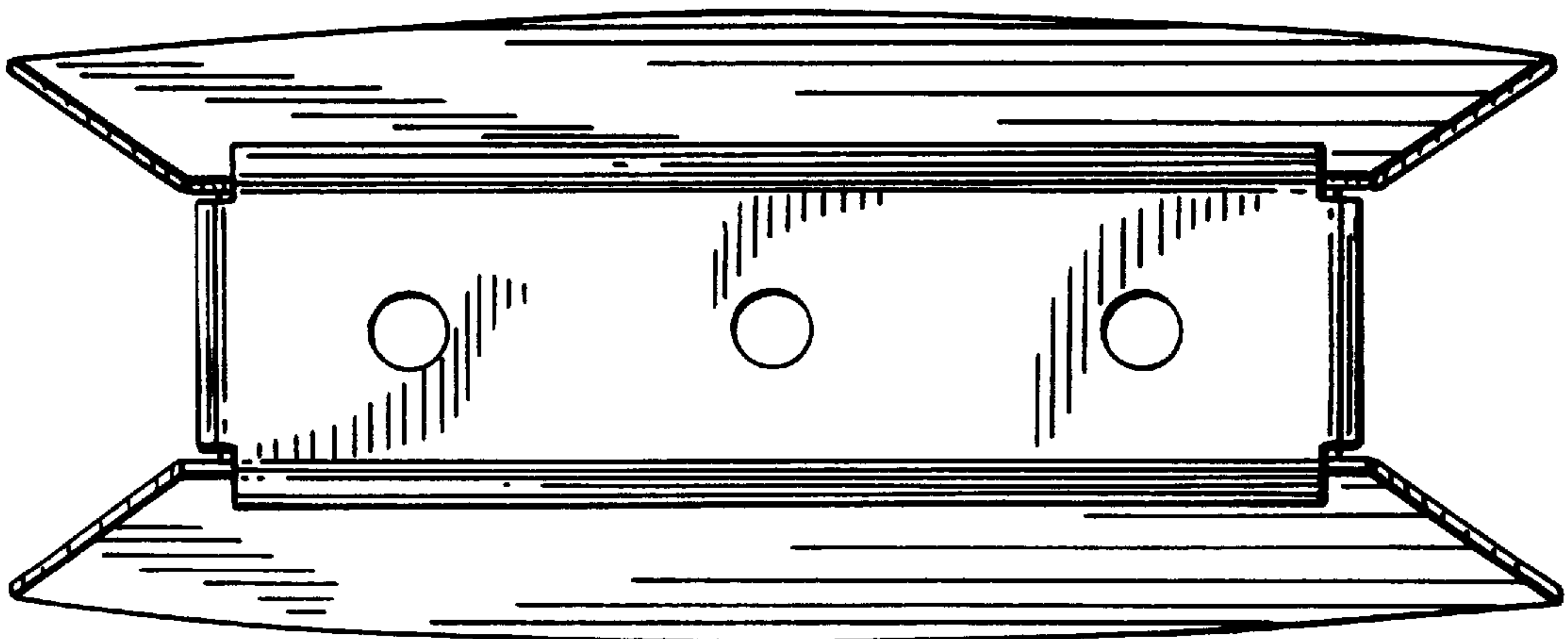


FIG. 3

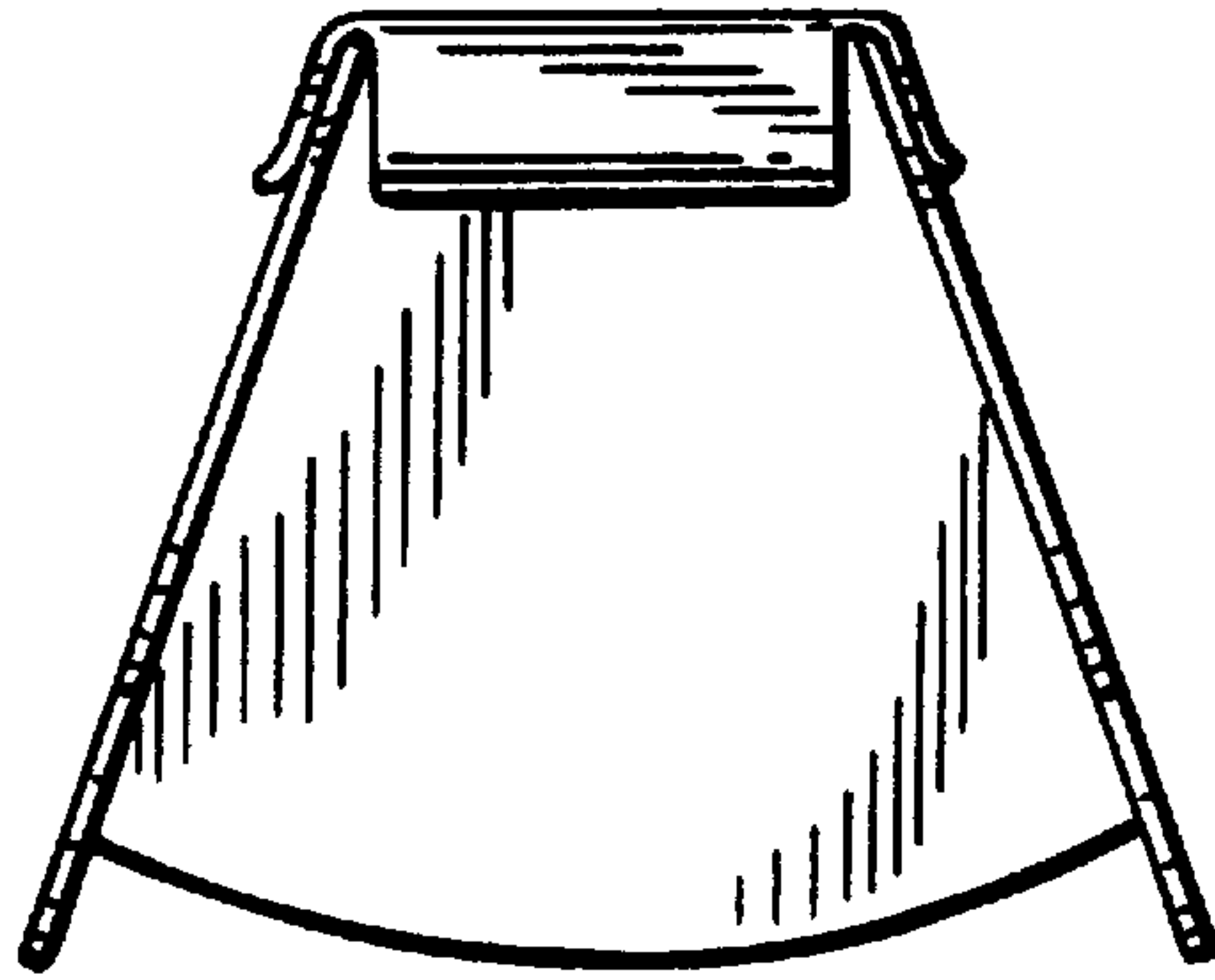


FIG. 4

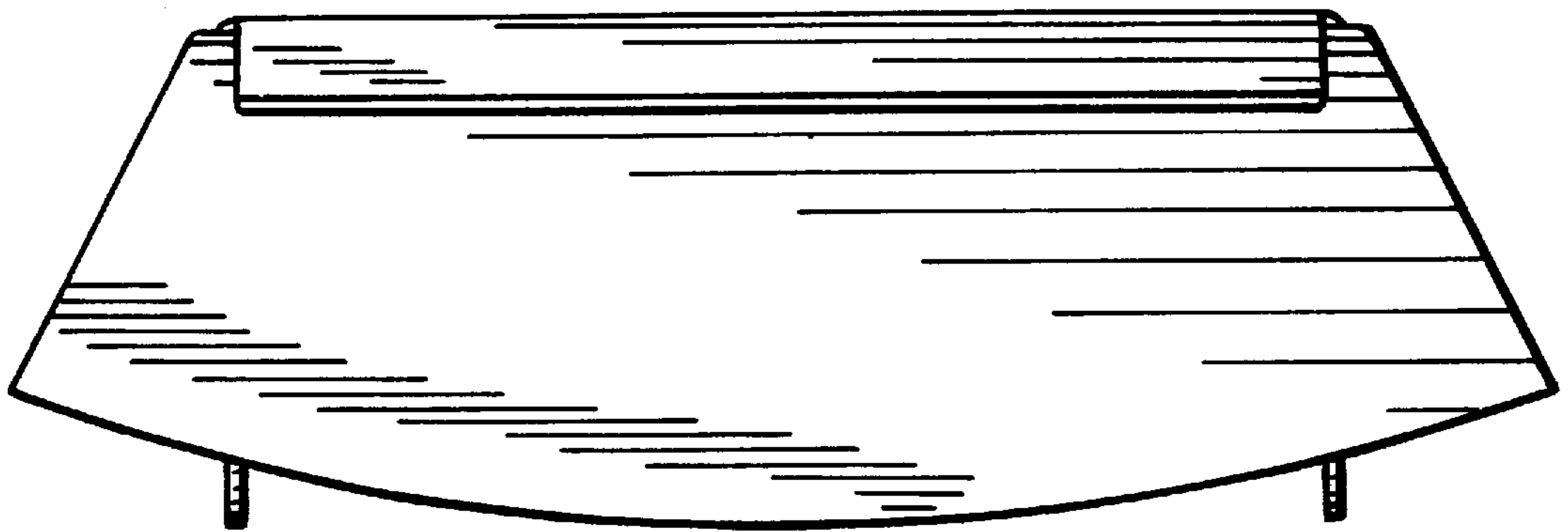


FIG. 5

