



US00D405207S

United States Patent [19] Mora

[11] **Patent Number:** **Des. 405,207**
[45] **Date of Patent:** ****Feb. 2, 1999**

[54] **CANOPY LUMINAIRE ASSEMBLY**
[75] Inventor: **Ludwin Mora**, Worthington, Ohio
[73] Assignee: **Spaulding Lighting, Inc.**, Cincinnati, Ohio
[**] Term: **14 Years**
[21] Appl. No.: **88,906**
[22] Filed: **Jun. 3, 1998**
[51] **LOC (6) Cl.** **26-05**
[52] **U.S. Cl.** **D26/85**
[58] **Field of Search** D26/72, 80-92;
362/147, 404-408, 432

2,975,271 3/1961 Dvorak .
2,998,510 8/1961 Versen .
3,012,133 12/1961 Archer .
3,037,110 5/1962 Williams .
3,069,541 12/1962 Thomsen et al. .
3,130,949 4/1964 Erhardt et al. .
3,158,329 11/1964 Wince .
3,176,255 3/1965 Jensen .
3,353,015 11/1967 Franklin et al. .
3,370,165 2/1968 Chan .
3,375,368 3/1968 Dorsky .
3,387,255 6/1968 Earleywine, Jr. .
3,488,626 1/1970 Koerper et al. .
3,511,982 5/1970 Salter .
3,518,420 6/1970 Kripp .
3,654,453 4/1972 Jablonski .
3,671,739 6/1972 McCain .
3,675,007 7/1972 Appleton et al. .

[56] **References Cited**

(List continued on next page.)

U.S. PATENT DOCUMENTS

FOREIGN PATENT DOCUMENTS

D. 170,084 7/1953 Glatthar et al. .
D. 232,376 8/1974 Yahraus et al. .
D. 249,291 9/1978 Pemberton .
D. 286,579 11/1986 Pugh et al. .
D. 301,628 6/1989 Fuller .
D. 321,406 11/1991 Schlesselman .
D. 324,113 2/1992 Morrison .
D. 343,015 1/1994 Yuen .
D. 352,797 11/1994 Mehaffey .
D. 356,169 3/1995 Lyons .
D. 375,379 11/1996 DiCola et al. .
1,248,187 11/1917 Smith .
1,573,580 2/1926 Ruttle .
1,595,972 8/1926 Reamer .
1,683,599 9/1928 Berry .
2,007,528 7/1935 Graham .
2,225,057 12/1940 Kuntz .
2,225,217 12/1940 Hicok .
2,463,046 3/1949 Naysmith .
2,534,992 12/1950 Reid .
2,700,751 1/1955 Hallerberg .
2,712,120 6/1955 Cochran .
2,744,716 5/1956 Zingone .
2,899,542 8/1959 De Mauro .
2,954,201 9/1960 Pascucci et al. .
2,965,348 12/1960 Gerstel et al. .
2,971,670 2/1961 McCormack .

539841 4/1957 Canada .
4139521 6/1993 Germany .

OTHER PUBLICATIONS

Dropped Borosilicate Prismatic Glass Lens, Whiteway of Cincinnati, OH, p. B5a, Sep. 1997.
Kenall -Number One in Vandalproof Lighting, pp. 284-285, 290-291, 300-301.
Lighting Design and Application, p. 10, designplan lamp, front, center fixture, Jun. 1992.

Primary Examiner—Susan J. Lucas
Attorney, Agent, or Firm—Hunton & Williams

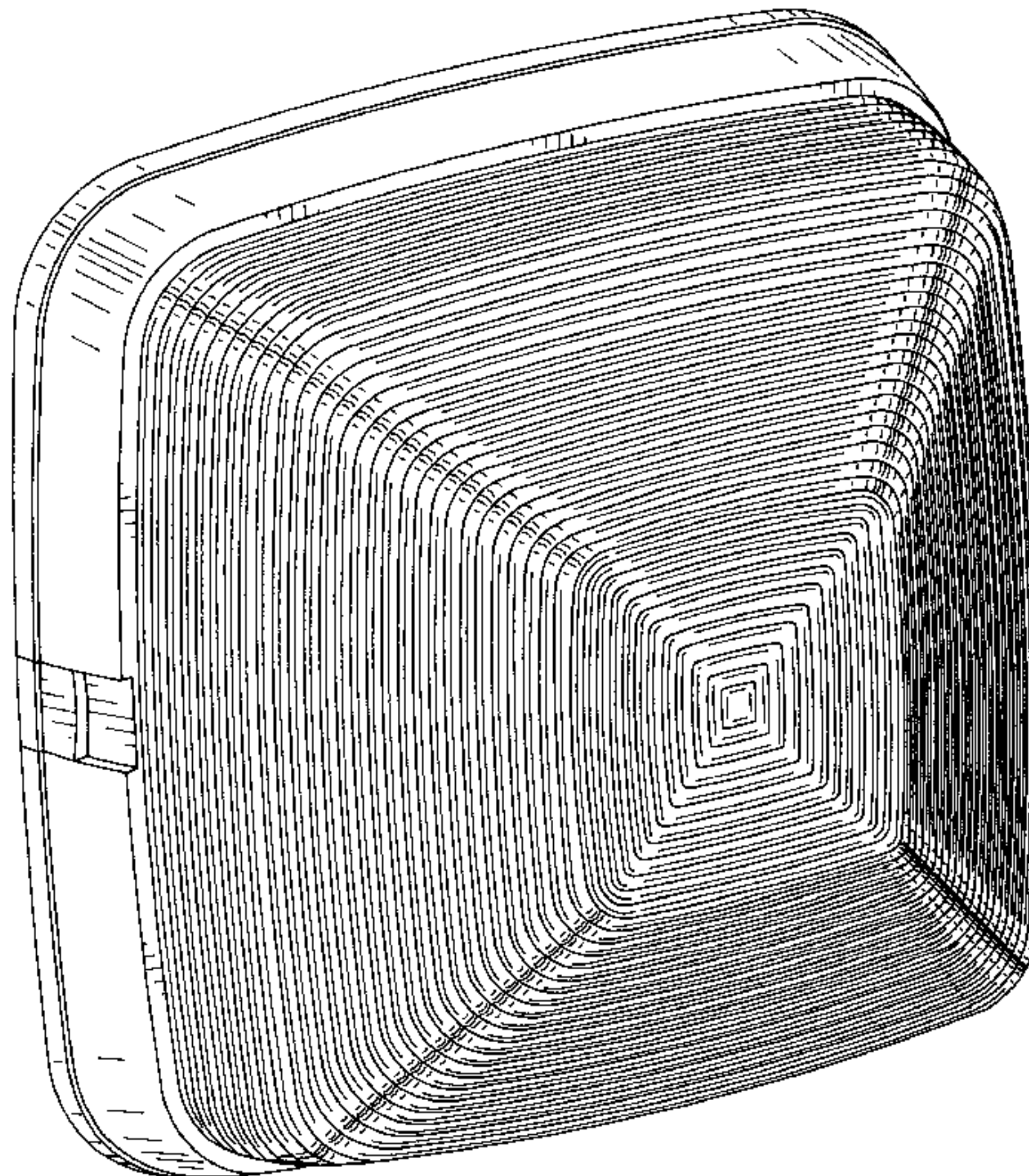
[57] **CLAIM**

The ornamental design for a canopy luminaire assembly, as shown and described.

DESCRIPTION

FIG. 1 is a perspective view of a canopy luminaire assembly as seen from one side thereof; and, FIG. 2 is a perspective view of a canopy luminaire assembly as seen from an opposite side thereof.

1 Claim, 2 Drawing Sheets



U.S. PATENT DOCUMENTS					
3,697,742	10/1972	Bobrick .	4,809,468	3/1989	Bareiss .
3,720,432	3/1973	Chudler .	4,827,386	5/1989	Mackiewicz .
3,755,667	8/1973	Price .	4,837,669	6/1989	Tharp et al. .
3,872,296	3/1975	Cohen et al. .	4,870,549	9/1989	Lauckhardt et al. .
3,883,732	5/1975	Peterson et al. .	4,885,665	12/1989	Birillo .
3,900,725	8/1975	Komon .	4,910,650	3/1990	Goralnik .
4,025,782	5/1977	Kaesar .	4,999,757	3/1991	Poppenheimer .
4,071,749	1/1978	Balogh .	5,034,869	7/1991	Choi .
4,091,444	5/1978	Mori .	5,045,984	9/1991	Trowbridge et al. .
4,141,061	2/1979	Ford et al. .	5,057,979	10/1991	Carson et al. .
4,161,019	7/1979	Mulvey .	5,068,772	11/1991	Shapiro et al. .
4,232,361	11/1980	Kelsall .	5,083,248	1/1992	Troy .
4,250,540	2/1981	Kristofek .	5,122,944	6/1992	Webb .
4,255,781	3/1981	Plemmons et al. .	5,136,490	8/1992	Morrison .
4,274,615	6/1981	Chan et al. .	5,161,878	11/1992	Degelmann et al. .
4,293,895	10/1981	Kristofek .	5,163,749	11/1992	Wu .
4,298,919	11/1981	Karasawa .	5,174,642	12/1992	Brohard et al. .
4,302,798	11/1981	Hoffman 362/147	5,174,648	12/1992	Clary et al. .
4,313,153	1/1982	Davis 362/147 X	5,222,800	6/1993	Chan et al. .
4,315,302	2/1982	Petralia .	5,228,773	7/1993	Win .
4,327,403	4/1982	Capostagno et al. .	5,272,605	12/1993	Johnstone .
4,336,575	6/1982	Gilman .	5,289,358	2/1994	Halemeier .
4,384,316	5/1983	de Vos et al. .	5,309,342	5/1994	Heinen, Sr. .
4,388,674	6/1983	Sano .	5,331,531	7/1994	Unger et al. .
4,403,278	9/1983	Flood .	5,349,513	9/1994	Taylor, III .
4,408,262	10/1983	Kusmer .	5,373,431	12/1994	Hayman et al. .
4,419,717	12/1983	Price et al. .	5,374,812	12/1994	Chan et al. .
4,459,648	7/1984	Ullman .	5,376,020	12/1994	Jones .
4,460,948	7/1984	Malola .	5,377,088	12/1994	Lecluze .
4,490,778	12/1984	Collins et al. .	5,379,199	1/1995	Hirshenhorn et al. .
4,507,719	3/1985	Quiogue 362/404	5,381,320	1/1995	Jordan .
4,512,098	4/1985	Ready et al. .	5,428,515	6/1995	Jung .
4,516,196	5/1985	Blake .	5,461,550	10/1995	Johnstone .
4,518,896	5/1985	Miles, Jr. .	5,463,540	10/1995	Jones .
4,547,840	10/1985	Tinder .	5,491,618	2/1996	Vakil .
4,636,924	1/1987	Targetti .	5,548,499	8/1996	Zadeh .
4,654,768	3/1987	Dryman et al. .	5,560,707	10/1996	Neer .
4,703,406	10/1987	Elliott et al. .	5,562,341	10/1996	Strauss .
4,716,504	12/1987	Pahl et al. .	5,562,343	10/1996	Chan et al. .
4,739,460	4/1988	Kelsall .	5,567,041	10/1996	Slocum .
4,748,543	5/1988	Swarens .	5,574,600	11/1996	Agro .
4,754,383	6/1988	Klaus .	5,599,094	2/1997	Fischer et al. .
4,760,510	7/1988	Lahti .	5,609,414	3/1997	Caluori .
4,763,231	8/1988	Houplain .	5,636,463	6/1997	Sharon et al. .
			5,662,407	9/1997	Fischer et al. 362/147

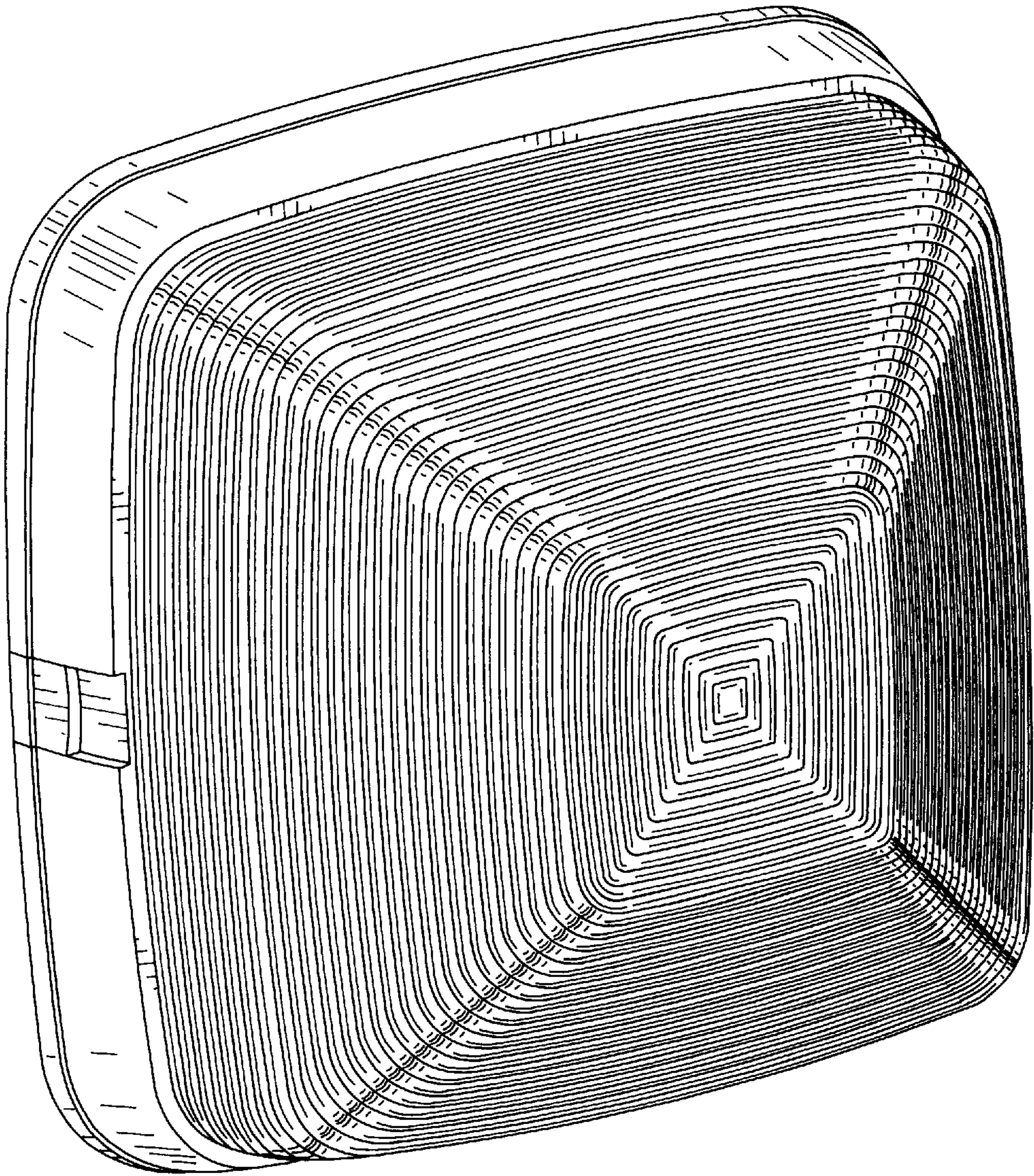


FIG. 1

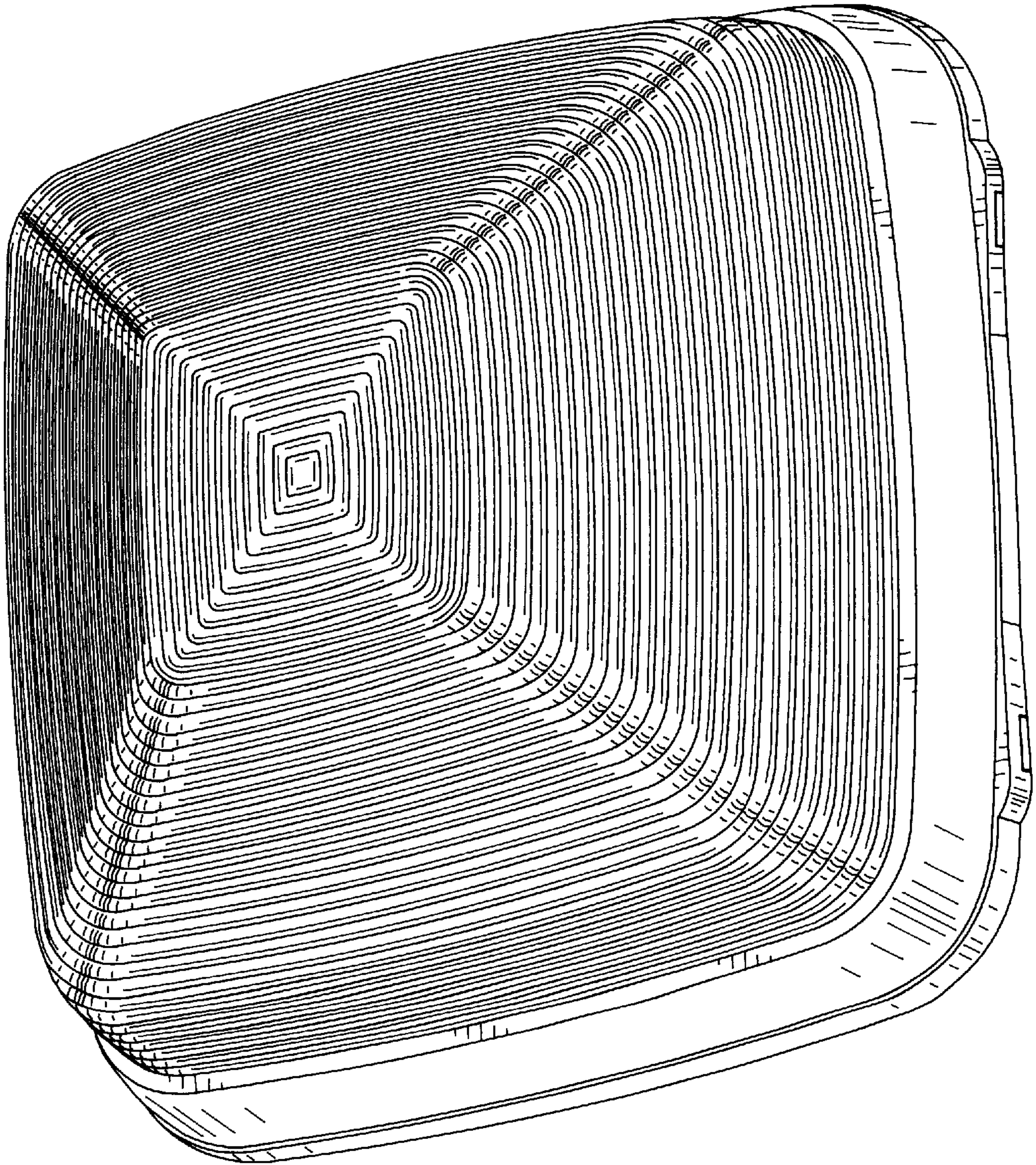


FIG. 2