



US00D405206S

# United States Patent [19]

Taylor et al.

[11] **Patent Number:** **Des. 405,206**

[45] **Date of Patent:** **\*\*Feb. 2, 1999**

[54] **POST-MOUNTED LIGHTING FIXTURE**

[75] Inventors: **Tommy Ray Taylor**, Crawfordsville;  
**Sean H. Brown**, Ladoga, both of Ind.;  
**David W. Bailey**, Danville, Ill.

[73] Assignee: **National Service Industries, Inc.**,  
Atlanta, Ga.

[\*\*] Term: **14 Years**

[21] Appl. No.: **82,534**

[22] Filed: **Jan. 23, 1998**

[51] **LOC (6) Cl.** ..... **26-05**

[52] **U.S. Cl.** ..... **D26/67**

[58] **Field of Search** ..... D2/67-71; 362/431,  
362/147, 432, 362, 310, 311

[56] **References Cited**

**U.S. PATENT DOCUMENTS**

- D. 358,898 5/1995 Compton ..... D26/67
- D. 383,866 9/1997 Brohard et al. .... D26/67
- 5,599,094 2/1997 Fischer et al. .... 362/431 X

**OTHER PUBLICATIONS**

Custom Lighting Inc. brochure, p. 1, CL-Monterey-SQ I,  
exterior luminaire, Dec. 1984.

*Primary Examiner*—Susan J. Lucas

*Attorney, Agent, or Firm*—Kenneth E. Darnell

[57] **CLAIM**

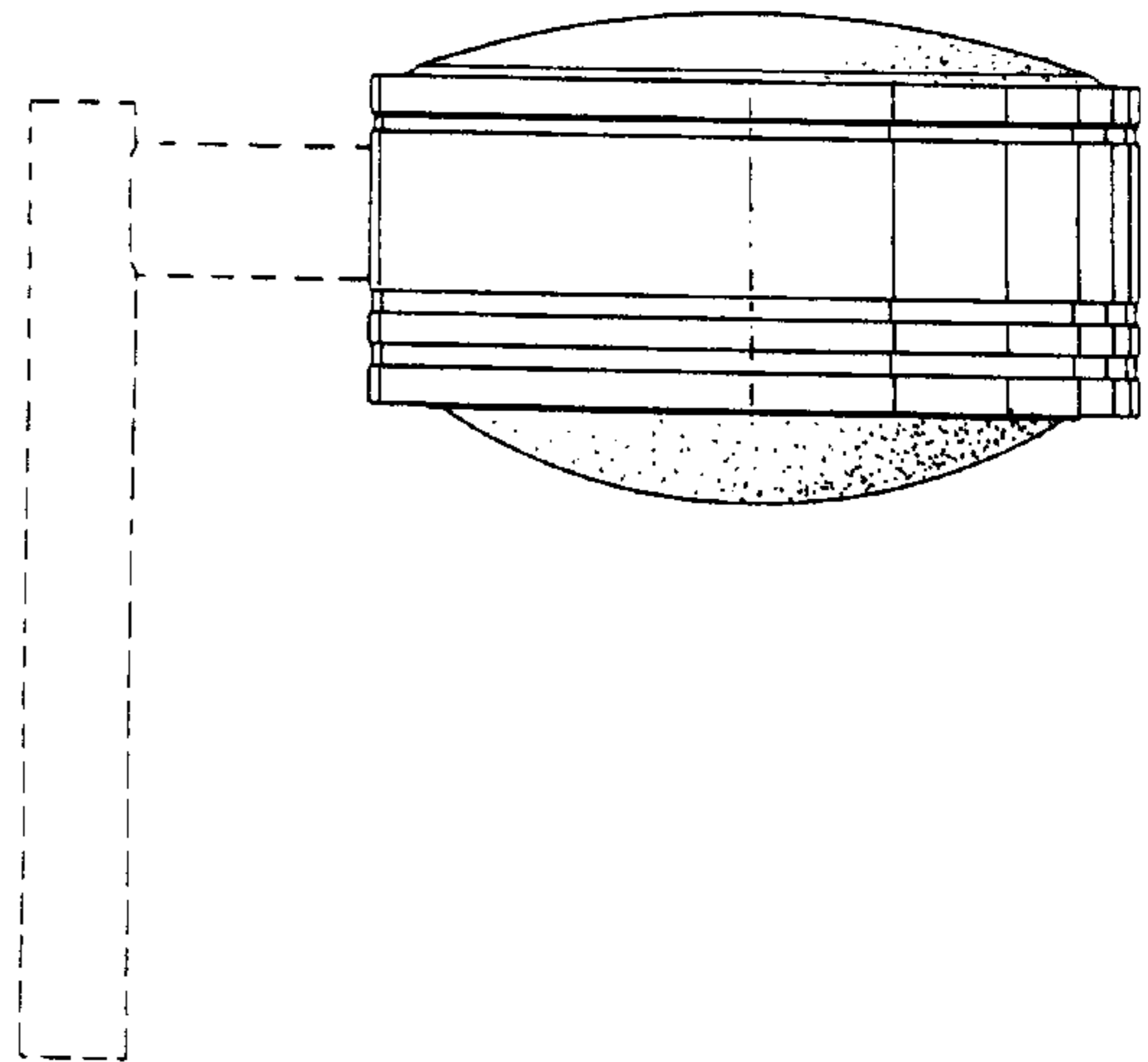
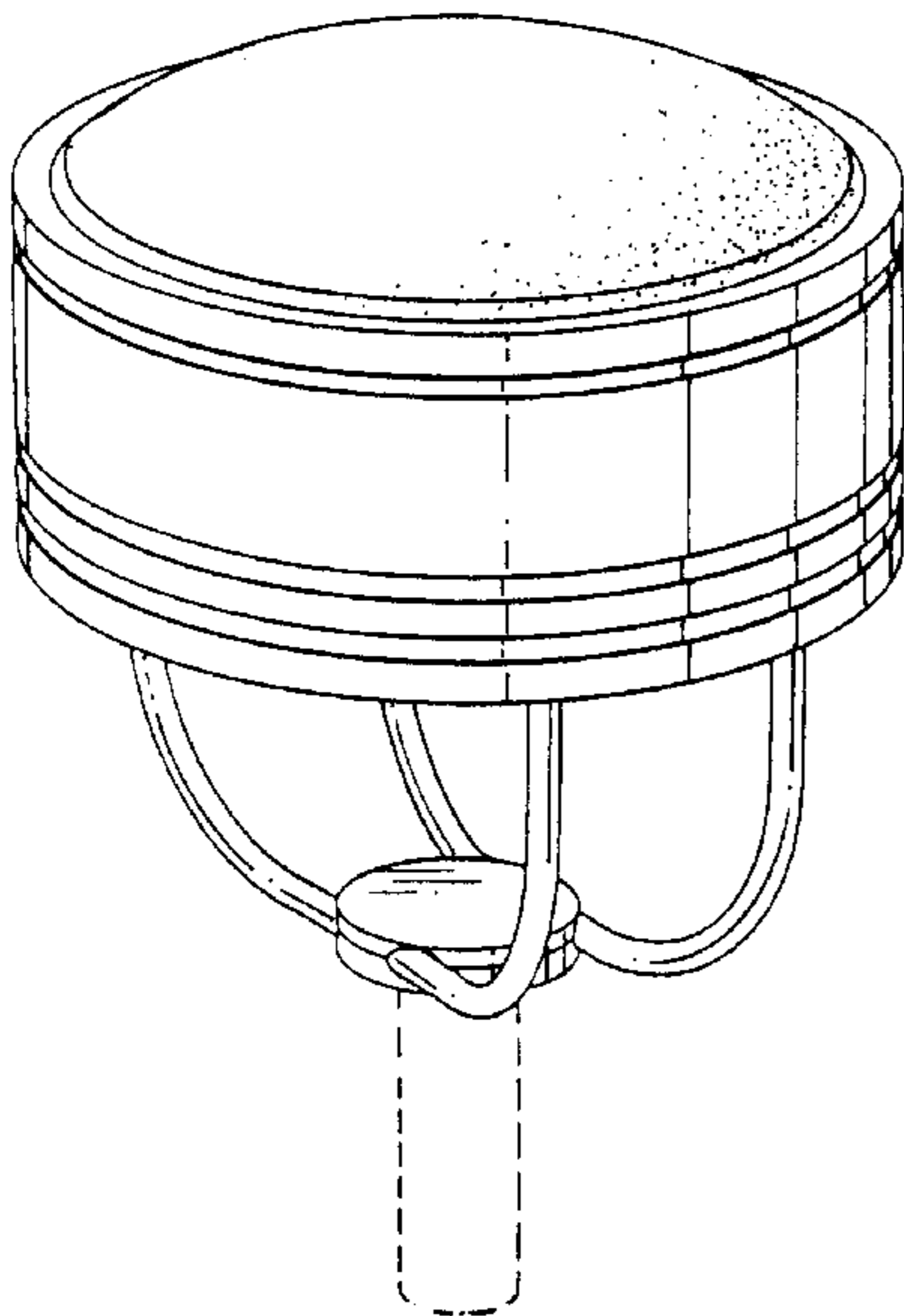
The ornamental design of a post mounted lighting fixture, as shown and described.

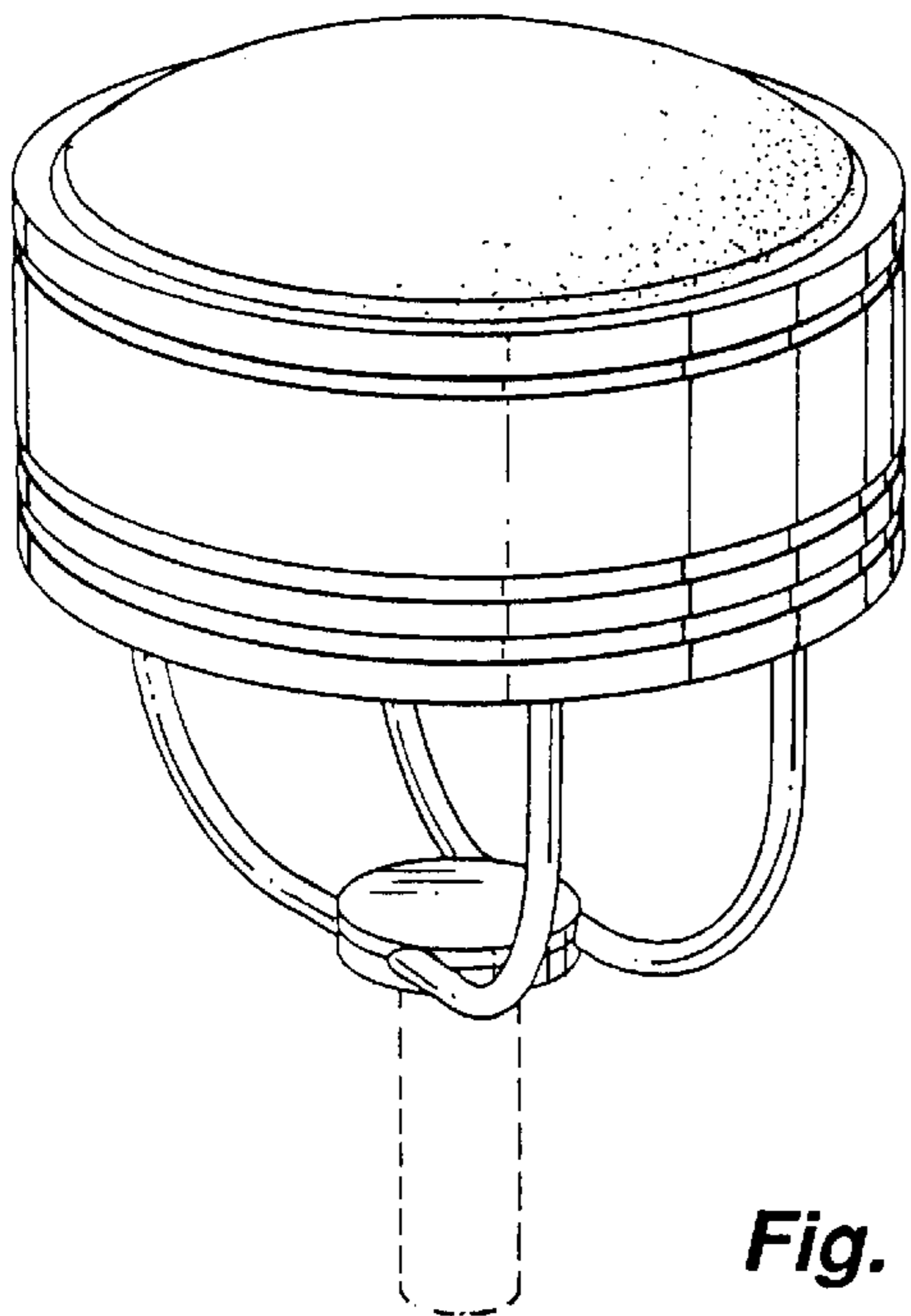
**DESCRIPTION**

FIG. 1 is a top perspective view of a first embodiment of a design of a post mounted lighting fixture;  
 FIG. 2 is a bottom perspective view thereof;  
 FIG. 3 is a front elevational view thereof;  
 FIG. 4 is a top plan view thereof;  
 FIG. 5 is a bottom view thereof;  
 FIG. 6 is a side elevational view thereof;  
 FIG. 7 is a top perspective view of a second embodiment of a design of a post mounted lighting fixture;  
 FIG. 8 is a bottom perspective view thereof;  
 FIG. 9 is a front elevational view thereof;  
 FIG. 10 is a top plan view thereof;  
 FIG. 11 is a bottom view thereof; and,  
 FIG. 12 is a side elevational view thereof.

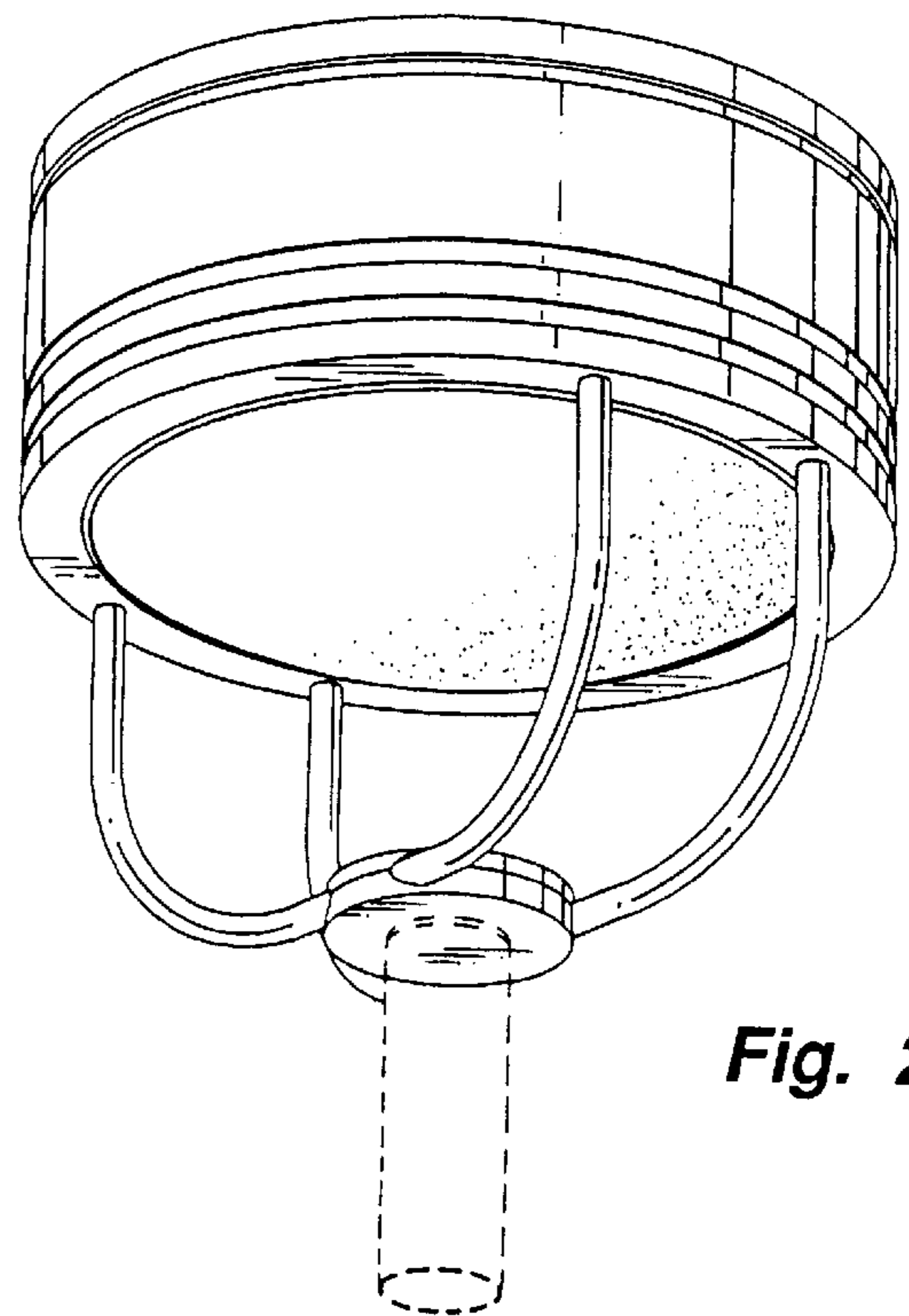
The post is shown in broken lines for illustrative purposes only, and forms no part of the claimed design.

**1 Claim, 4 Drawing Sheets**

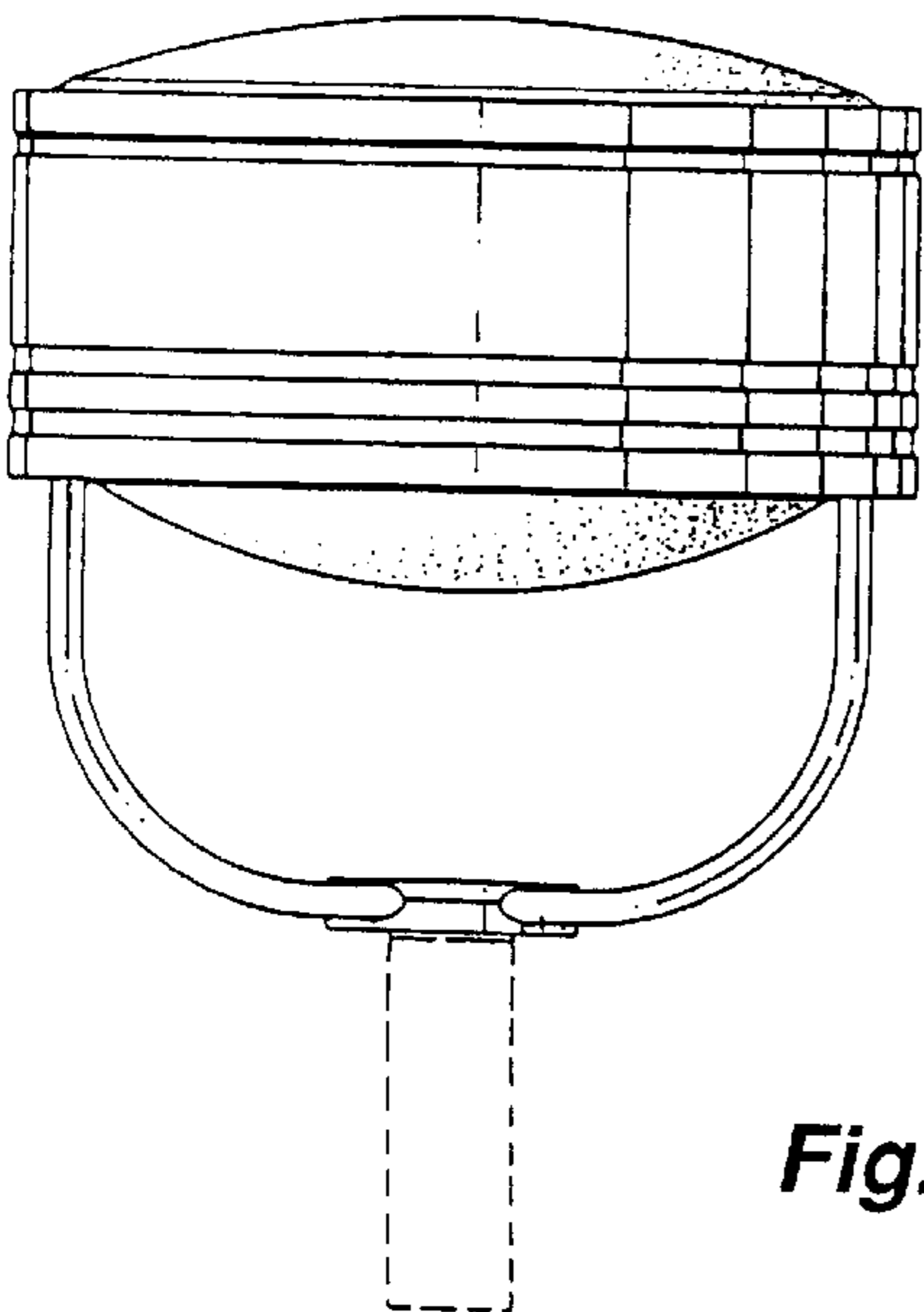




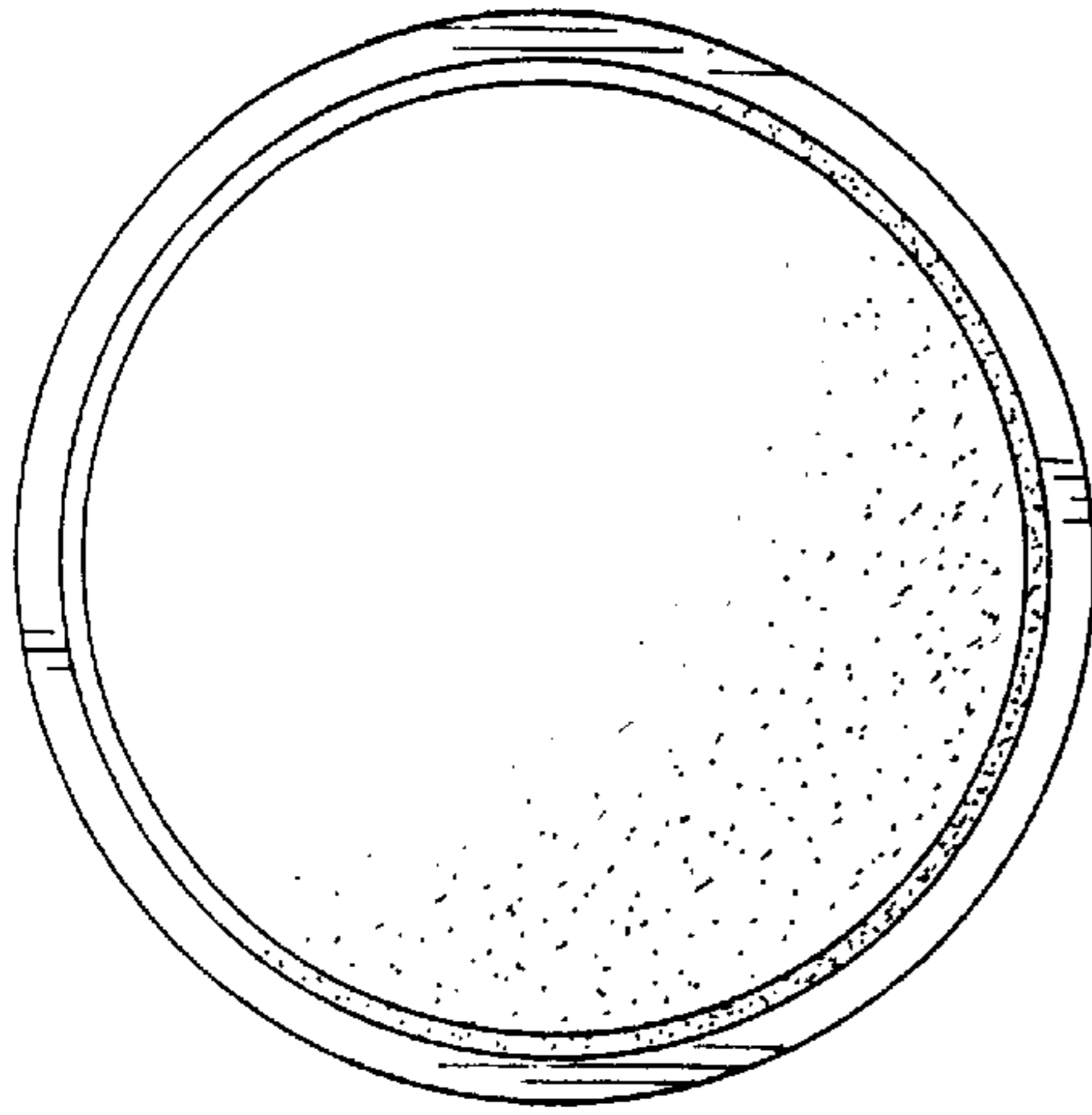
*Fig. 1*



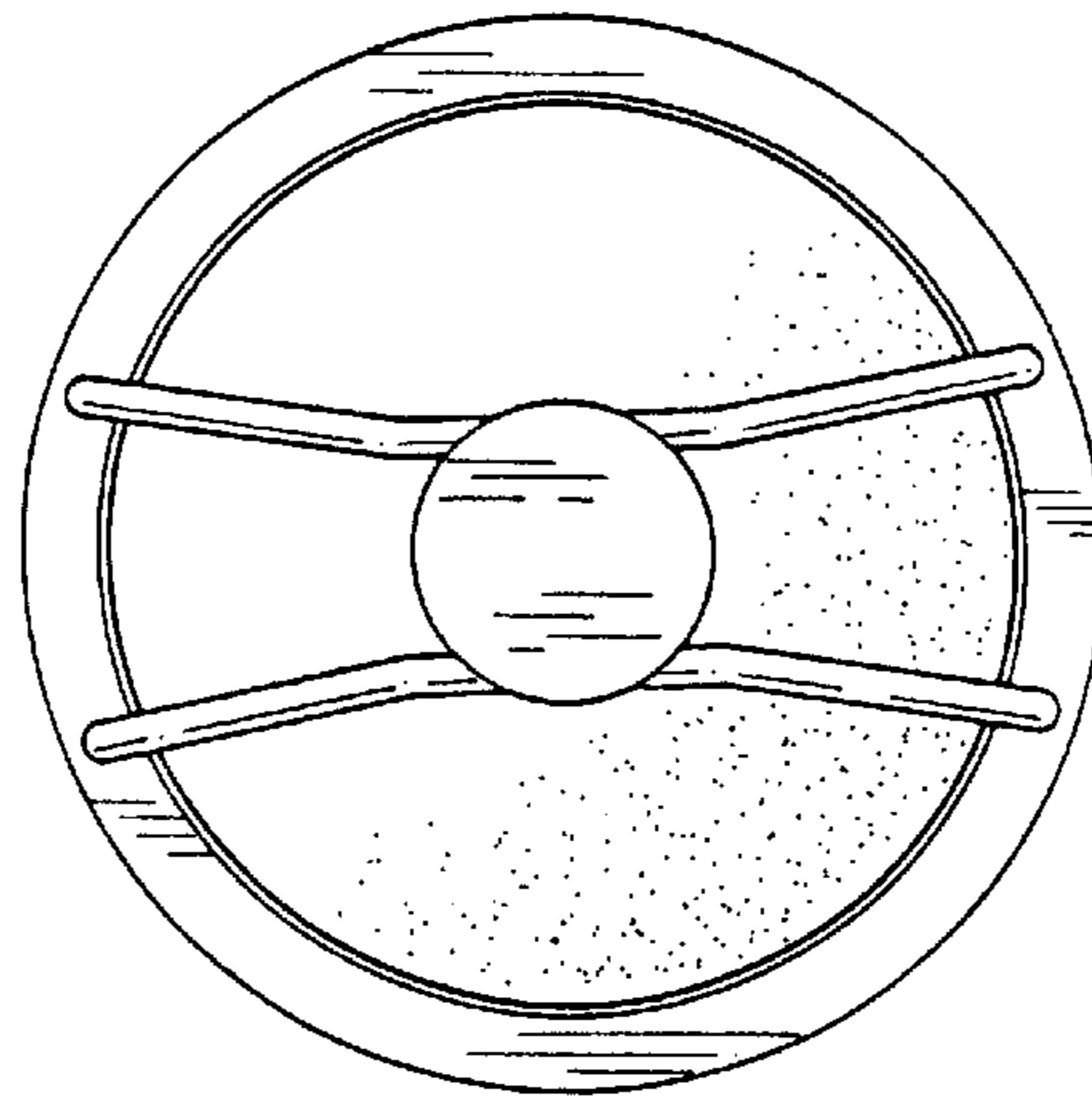
*Fig. 2*



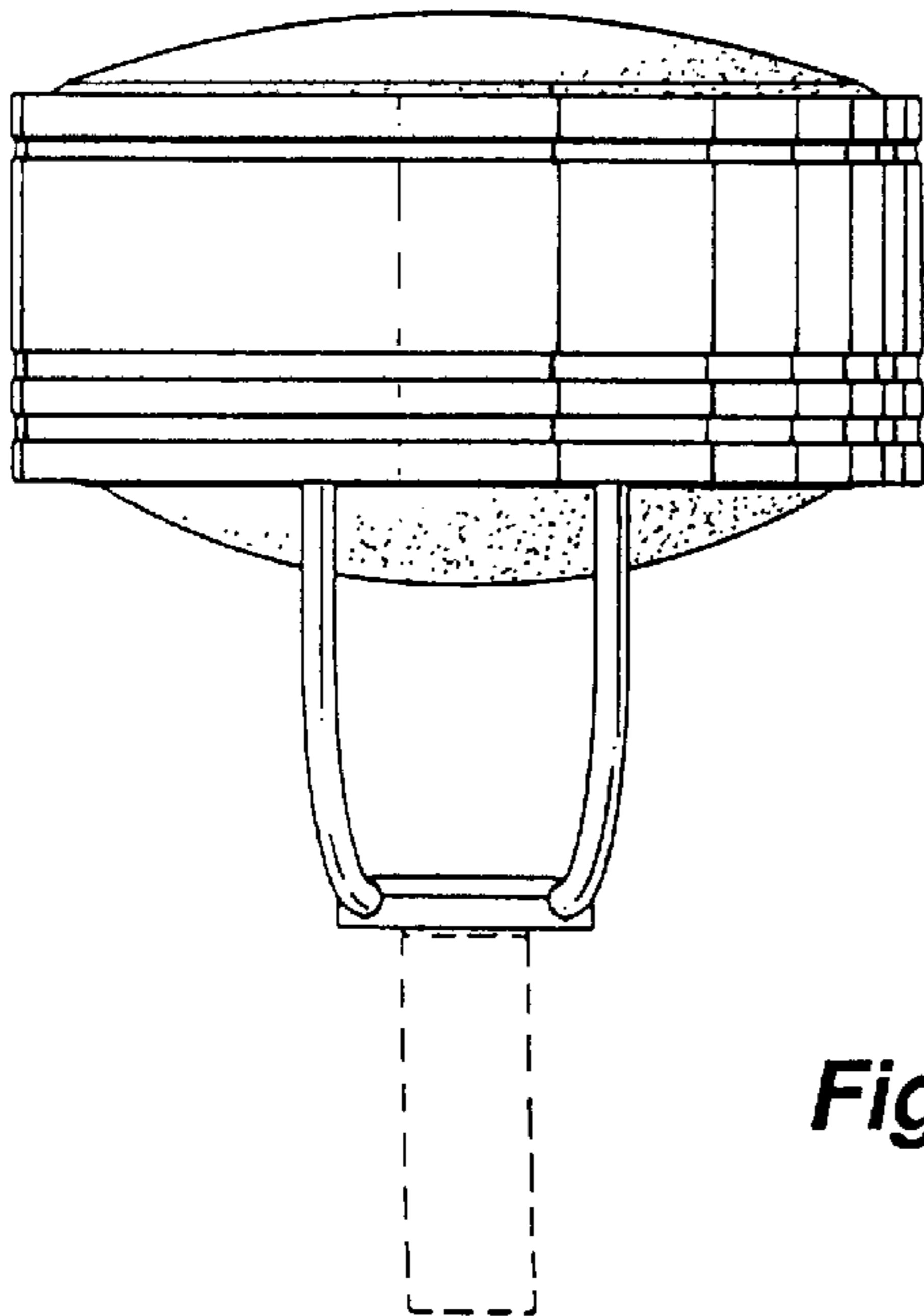
*Fig. 3*



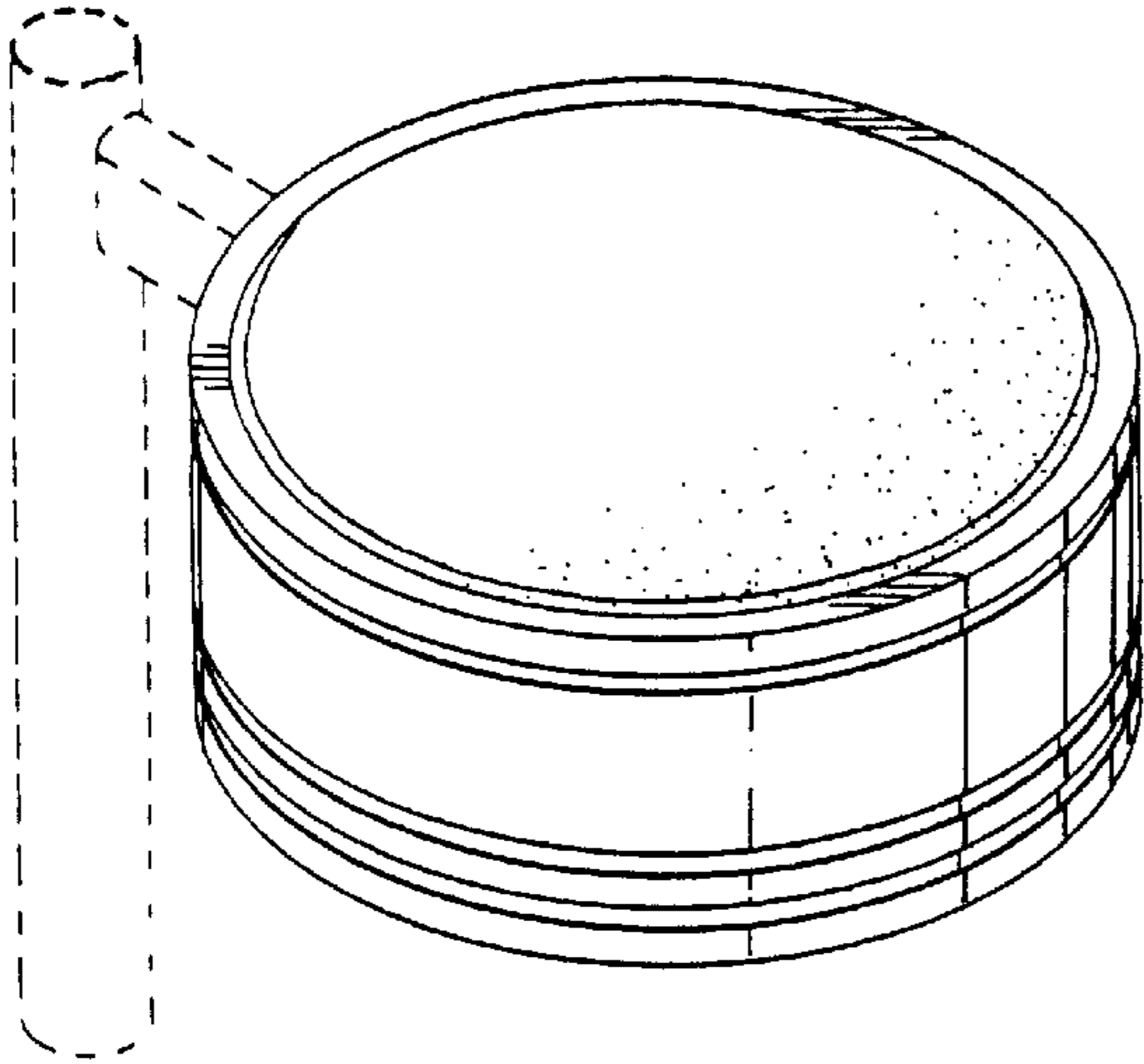
**Fig. 4**



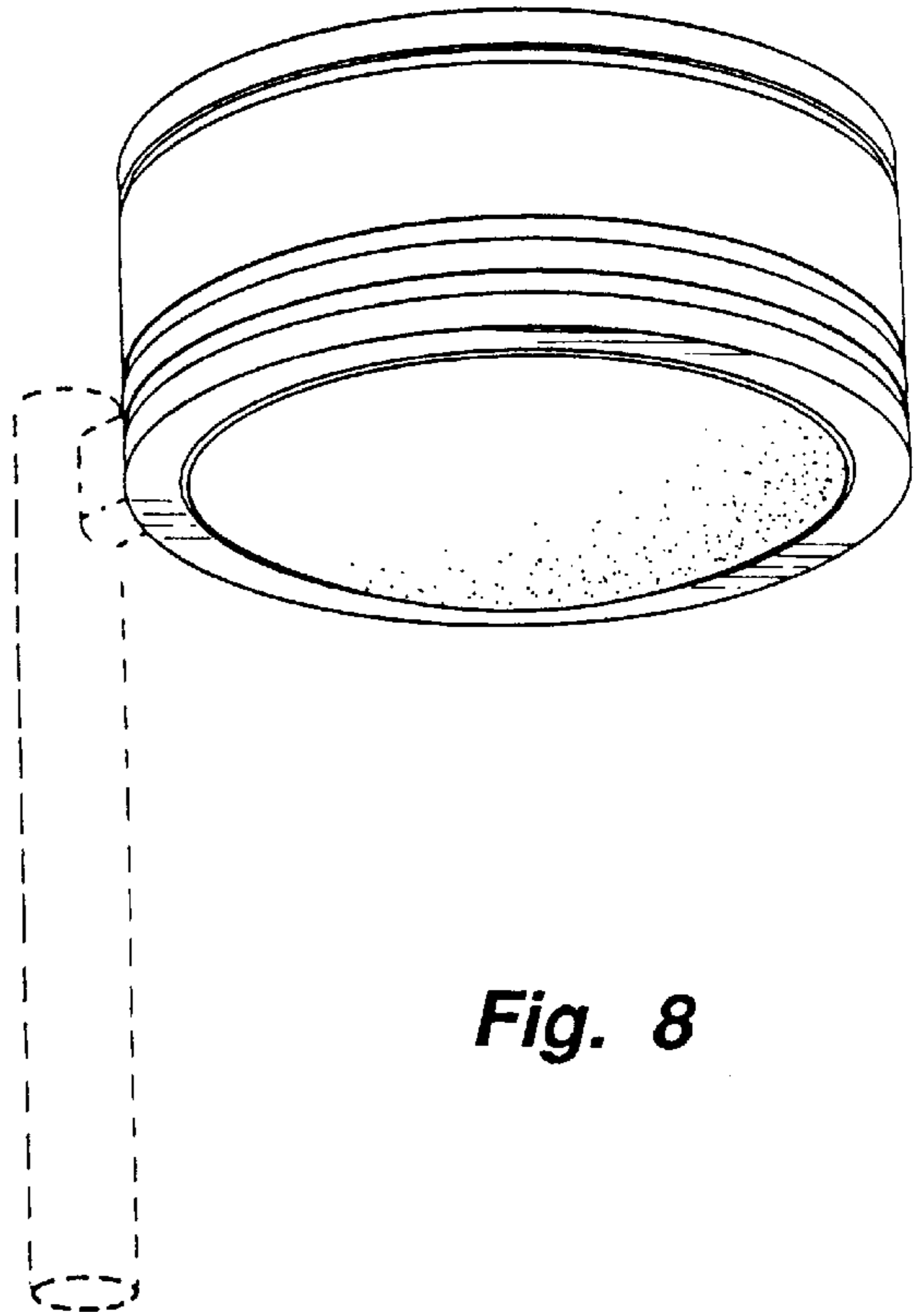
**Fig. 5**



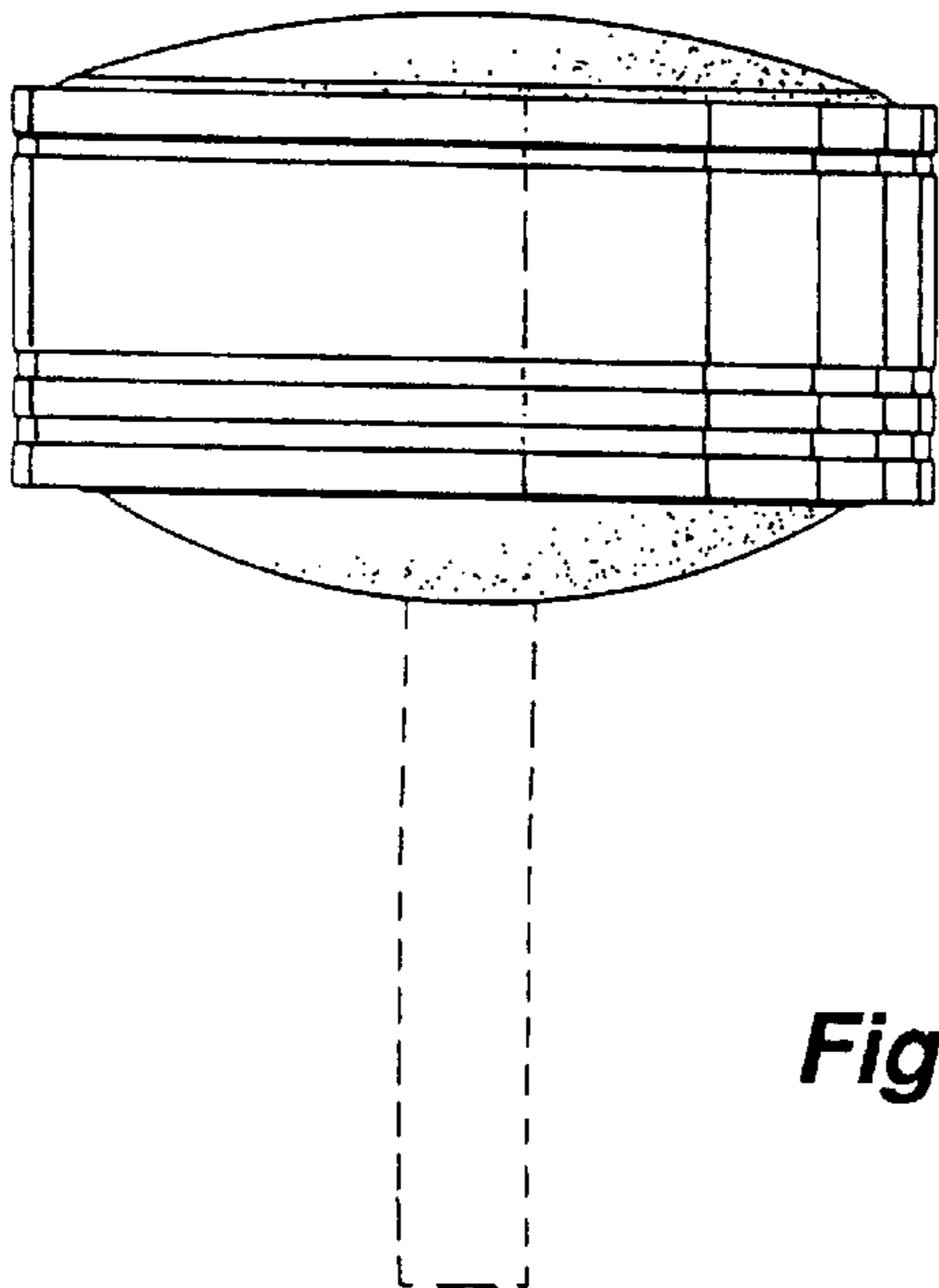
**Fig. 6**



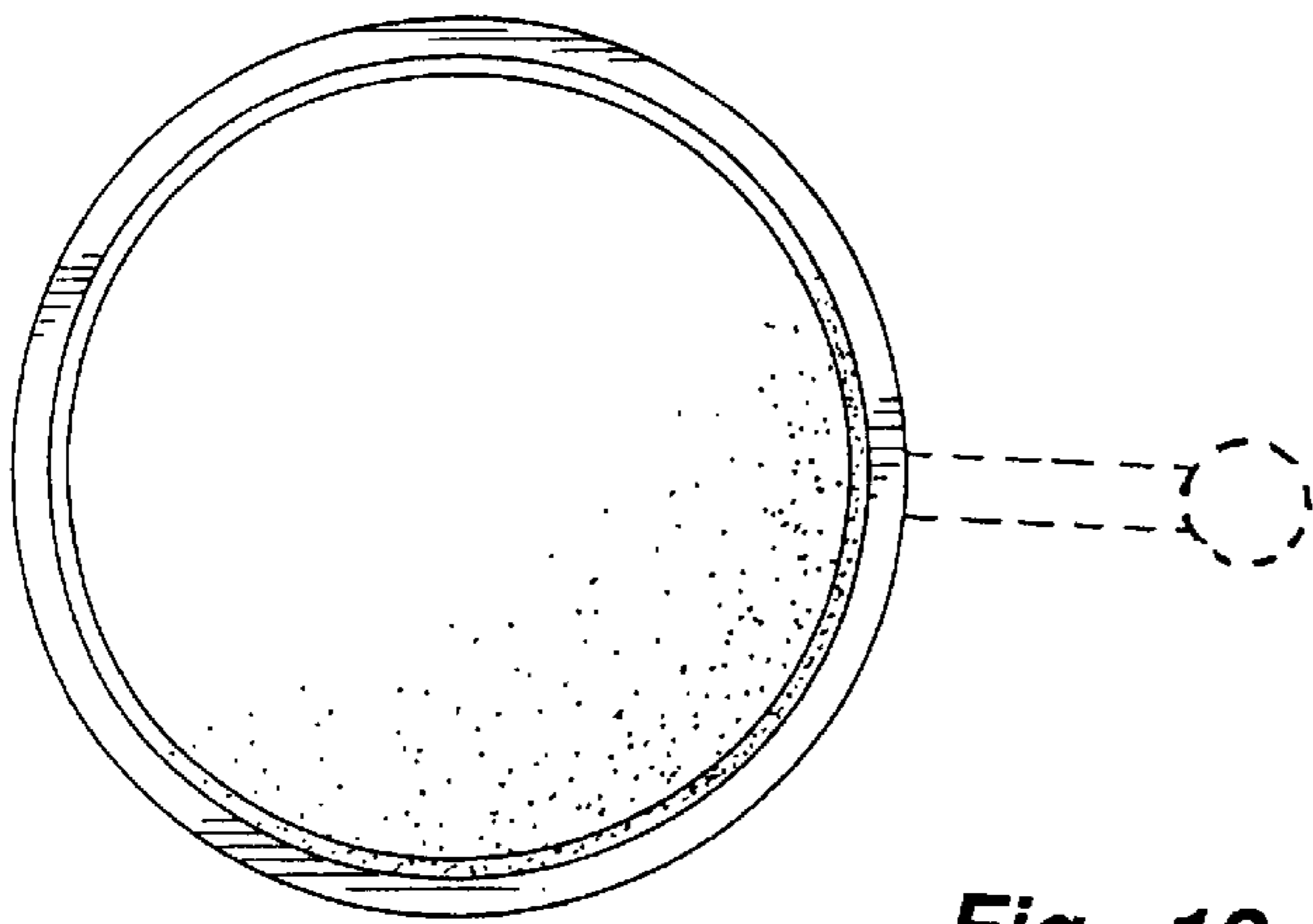
**Fig. 7**



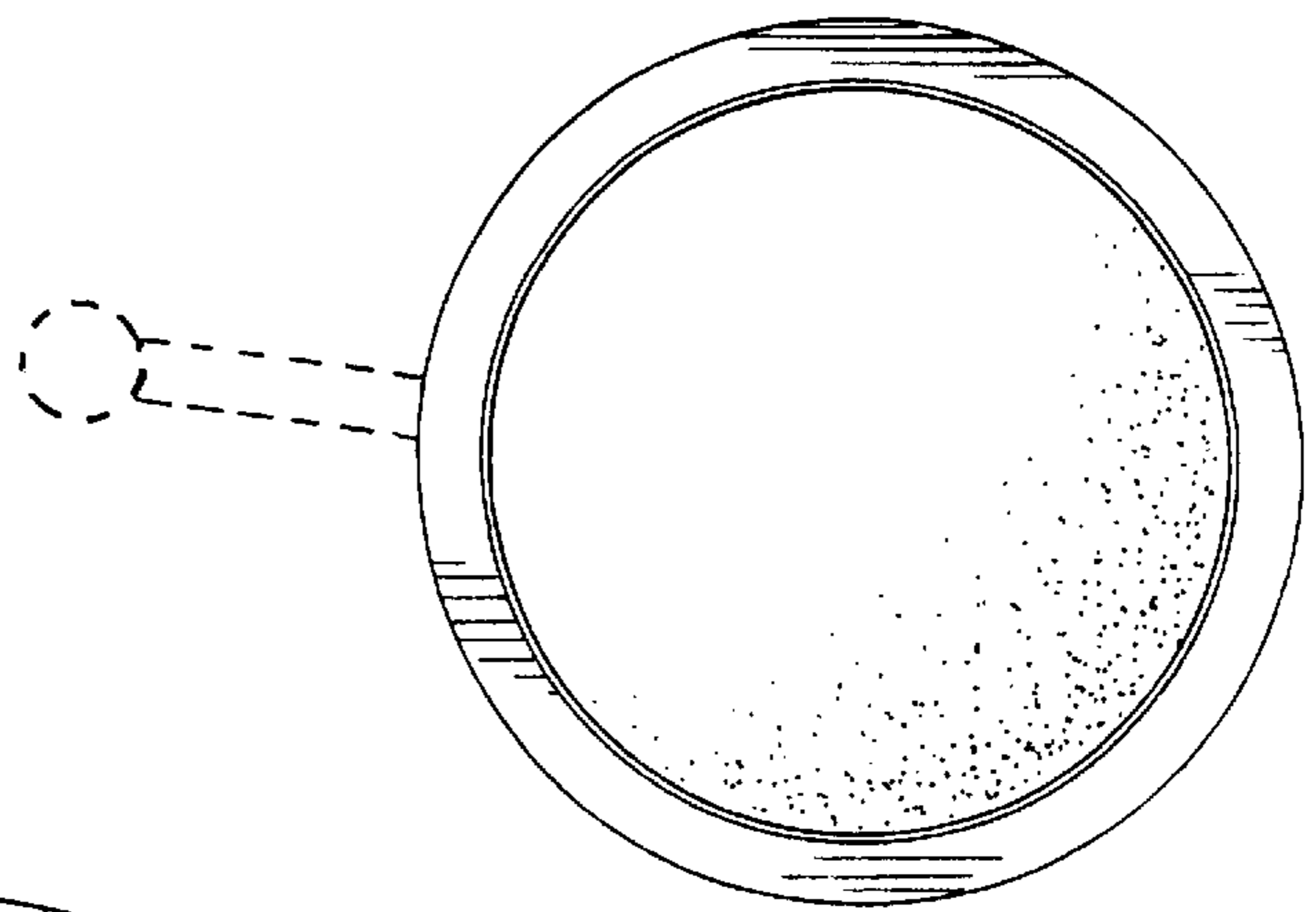
**Fig. 8**



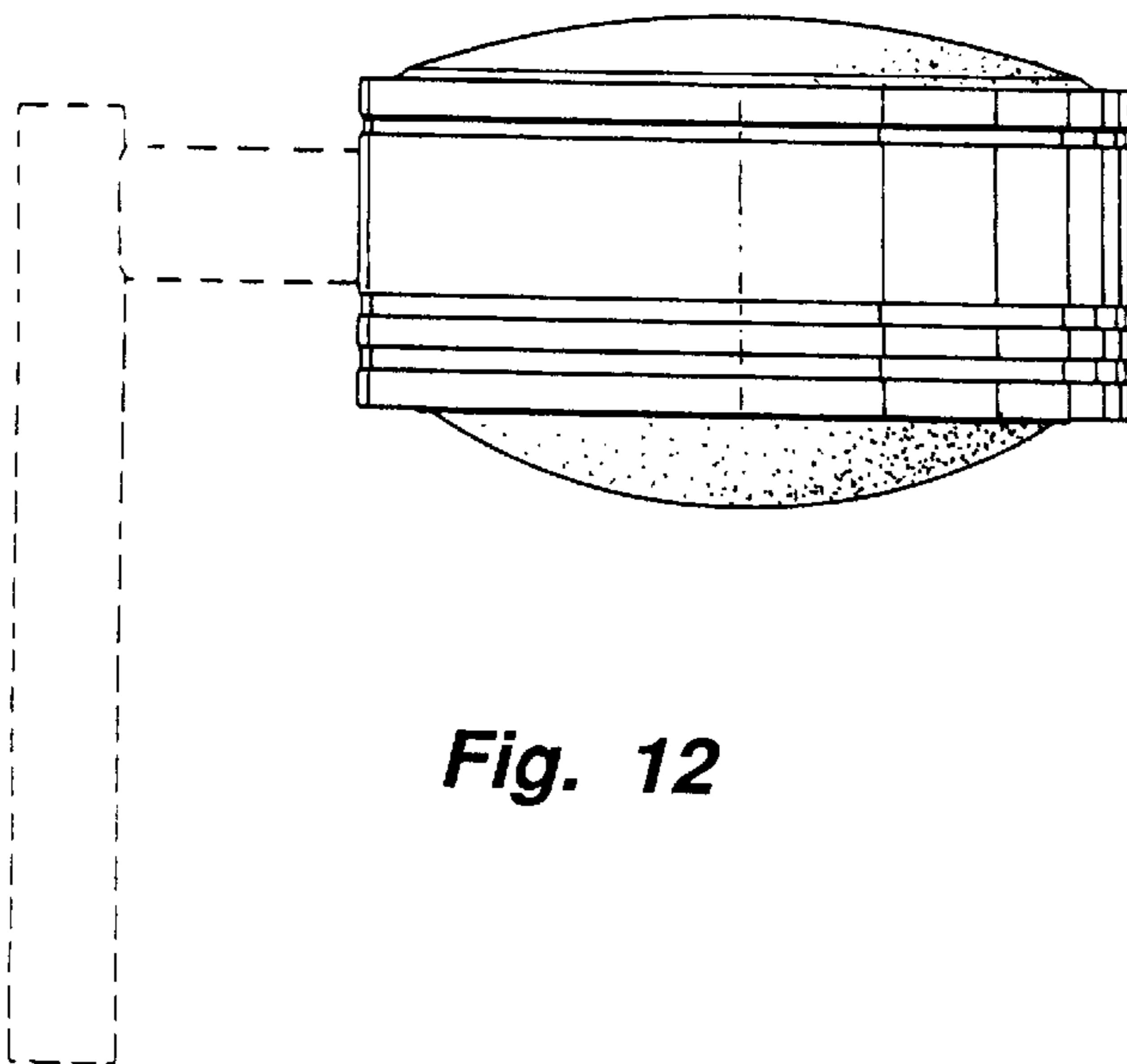
**Fig. 9**



**Fig. 10**



**Fig. 11**



**Fig. 12**