



US00D405204S

United States Patent [19]

McAdams et al.

[11] Patent Number: **Des. 405,204**

[45] Date of Patent: ****Feb. 2, 1999**

[54] **MOBILE WORK LIGHT**

[75] Inventors: **Howard L. McAdams**, Aurora; **Alan N. Bennett**, Northglenn; **Reynold J. Suazo**, Louisville, all of Colo.

[73] Assignees: **Allyn-Howard Mfg. Co.**, Denver; **American Precision Plastics Corporation**, Northglenn, both of Colo.

4,674,415 6/1987 Smith 108/150
 4,803,606 2/1989 Rotter 362/419 X
 5,149,905 9/1992 Count 84/744
 5,188,323 2/1993 David 248/158
 5,357,699 10/1994 Padawer 38/102
 5,424,931 6/1995 Wheeler 362/418
 5,460,343 10/1995 Hestilow 248/124.1
 5,716,126 2/1998 Meyer 362/418 X

[**] Term: **14 Years**

[21] Appl. No.: **80,603**

[22] Filed: **Dec. 11, 1997**

[51] **LOC (6) Cl.** **26-05**

[52] **U.S. Cl.** **D26/63**

[58] **Field of Search** D26/60-66; 362/267, 362/275, 285, 287, 410, 413, 414, 418, 419, 427

[56] References Cited

U.S. PATENT DOCUMENTS

D. 286,233 10/1986 Schreiner D6/397
 D. 348,107 6/1994 Wilkinson D26/65 X
 760,167 5/1904 Warner .
 2,019,438 10/1935 Smith 226/129
 3,026,079 6/1962 Stack 248/125
 3,509,831 5/1970 Schnetzer 108/26
 3,535,509 10/1970 Thornton 362/413 X
 3,889,910 6/1975 Walters 248/122

OTHER PUBLICATIONS

Home Lighting and Accessories, p. 98, Casella Lightng, floor lamp, Dec. 1996.

Primary Examiner—Susan J. Lucas
Attorney, Agent, or Firm—W. Scott Carson

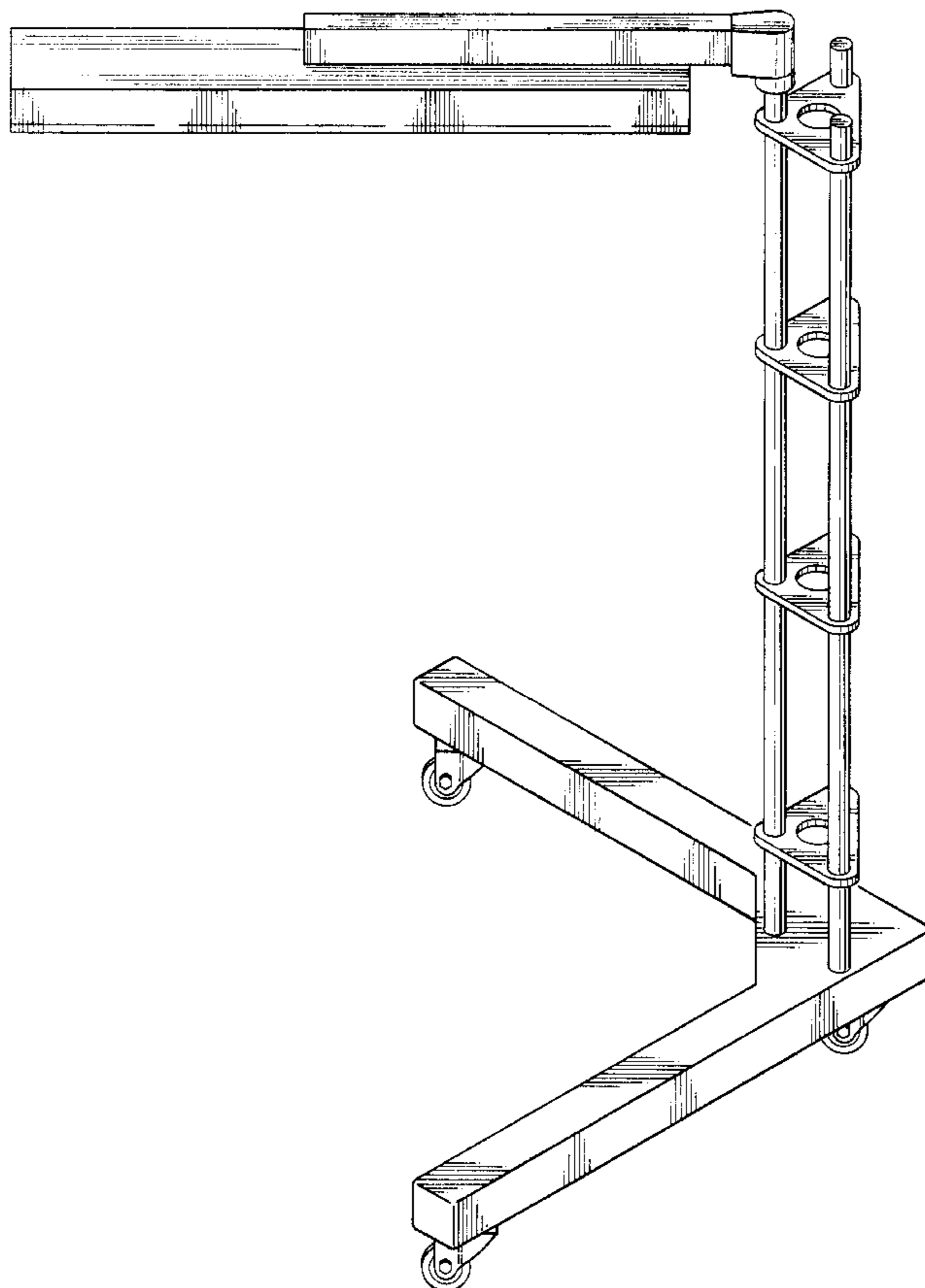
[57] CLAIM

The ornamental design for a mobile work light, as shown and described.

DESCRIPTION

FIG. 1 is a perspective view of a mobile worklight showing our new design;
 FIG. 2 is a top plan view thereof;
 FIG. 3 is a front elevational view thereof;
 FIG. 4 is a right side elevational view thereof, the left side elevational view being a mirror image thereof;
 FIG. 5 is a rear elevational view thereof; and,
 FIG. 6 is a bottom plan view thereof.

1 Claim, 6 Drawing Sheets



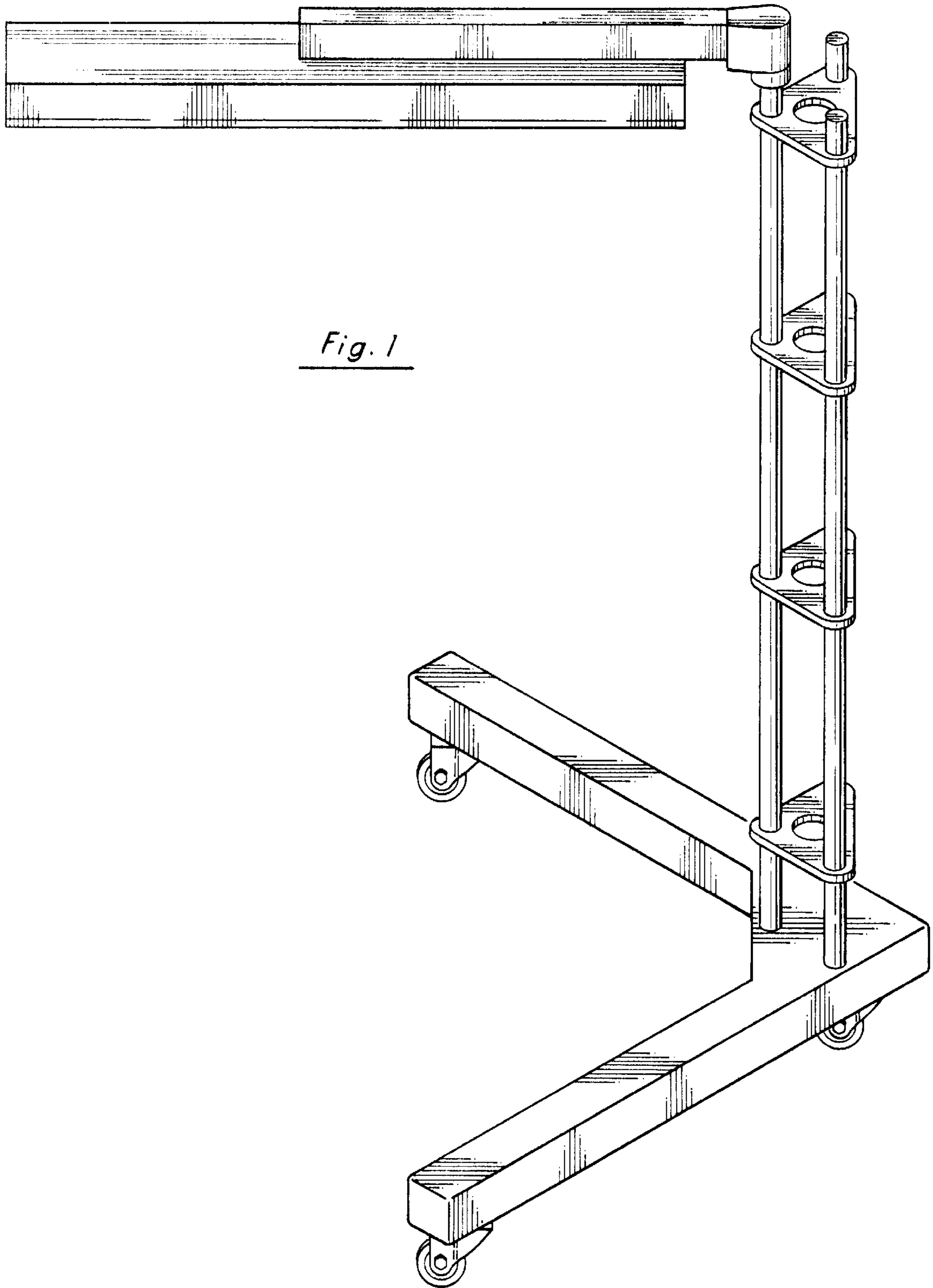


Fig. 1

Fig. 2

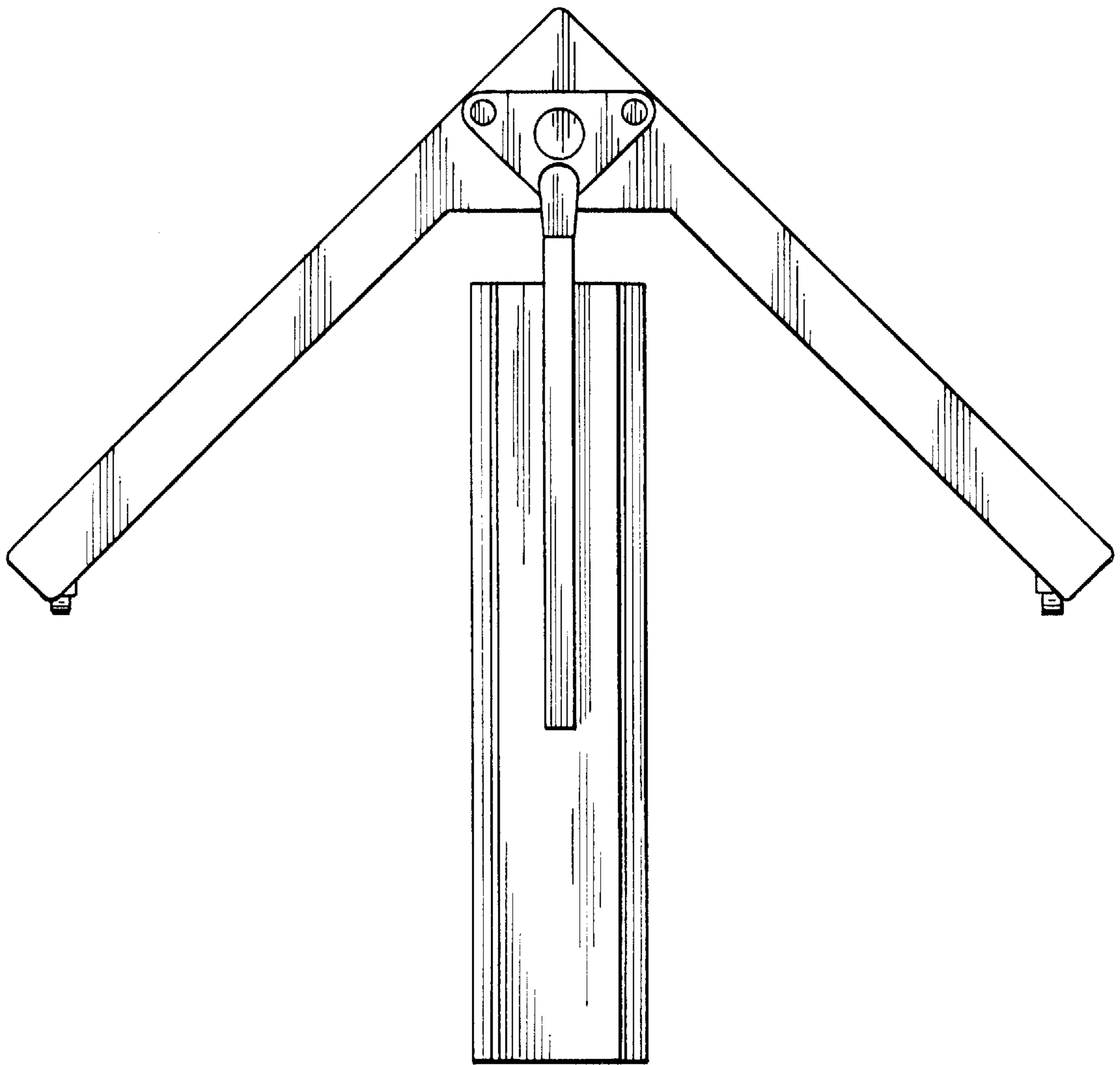
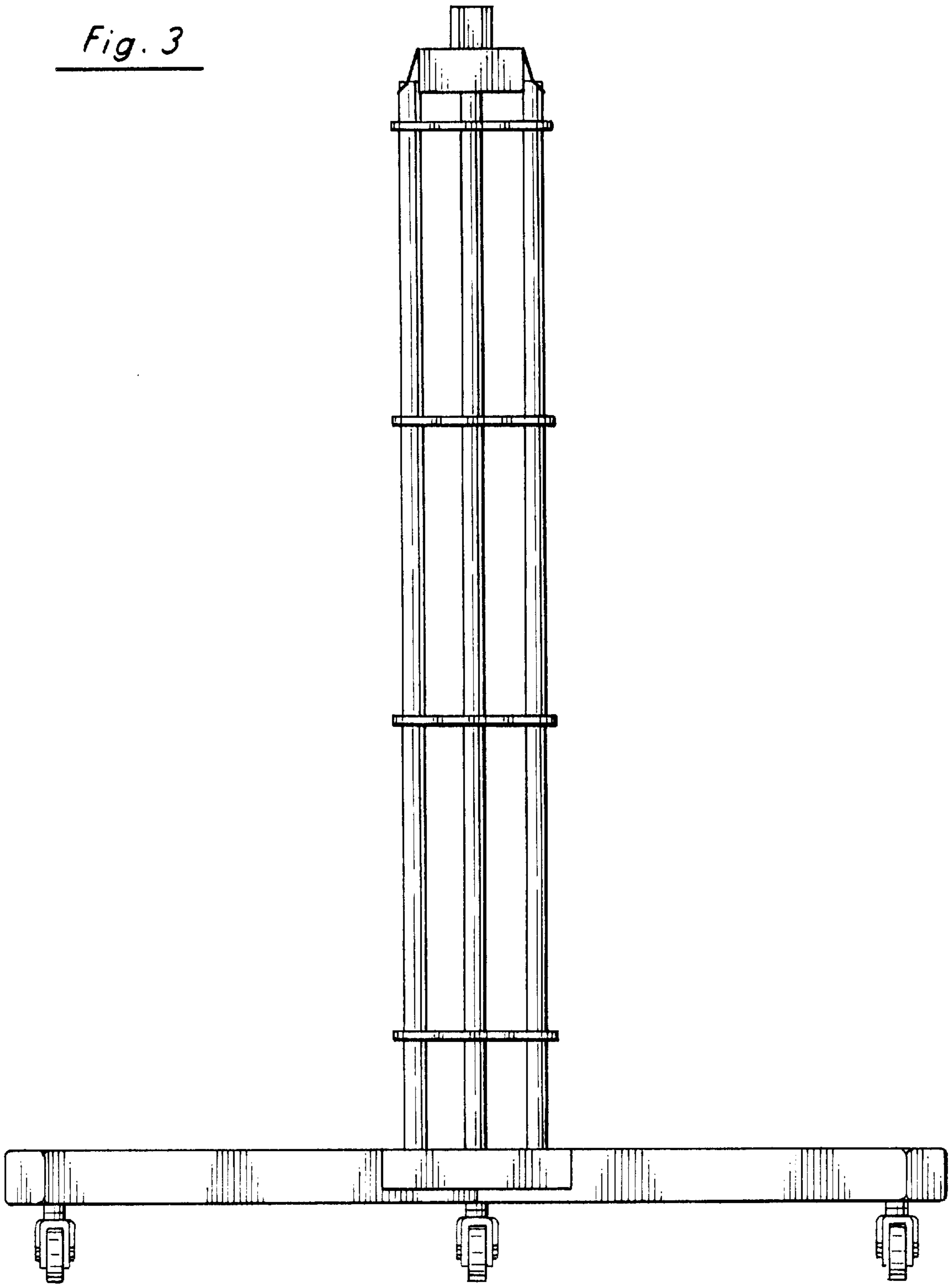


Fig. 3



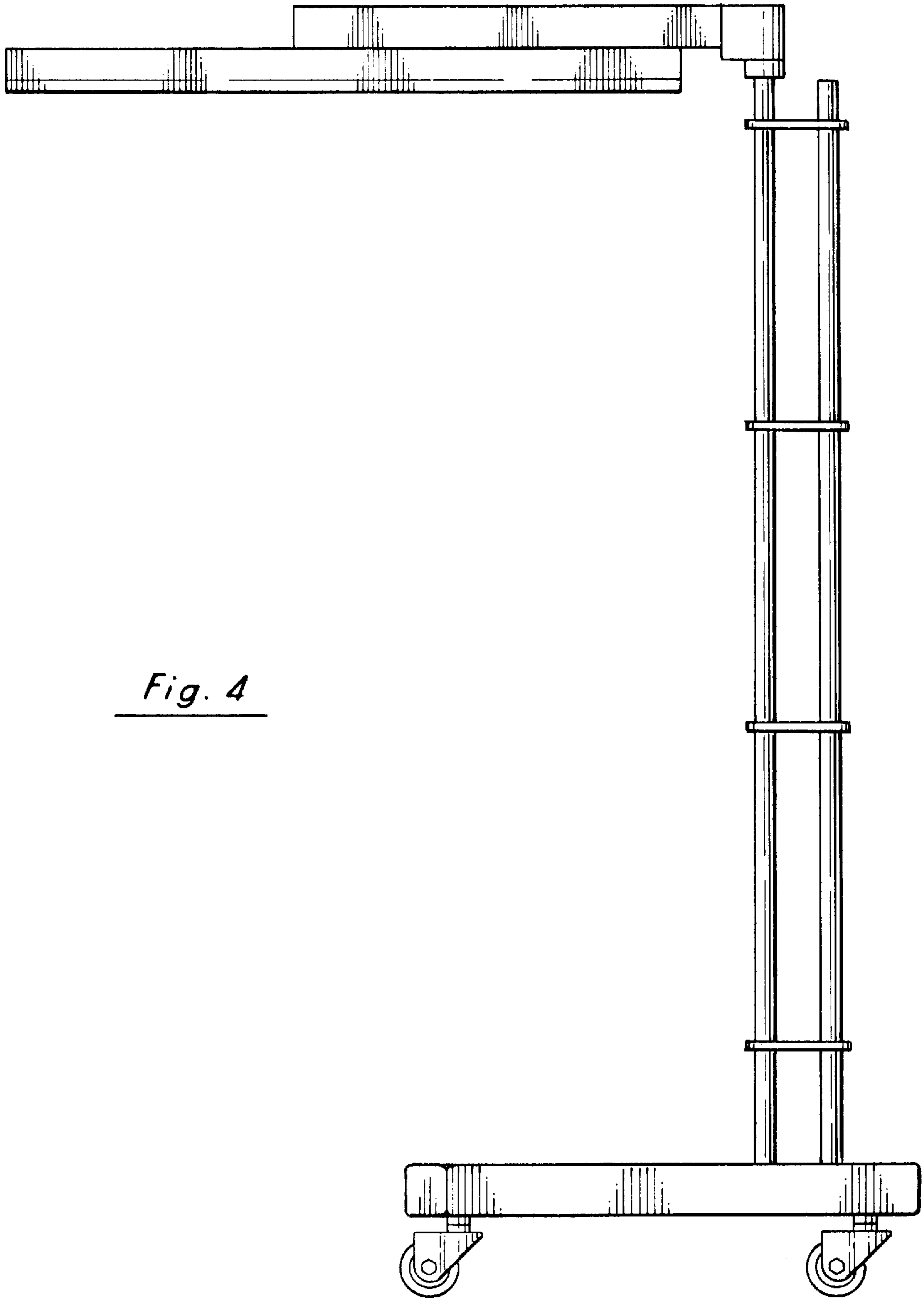
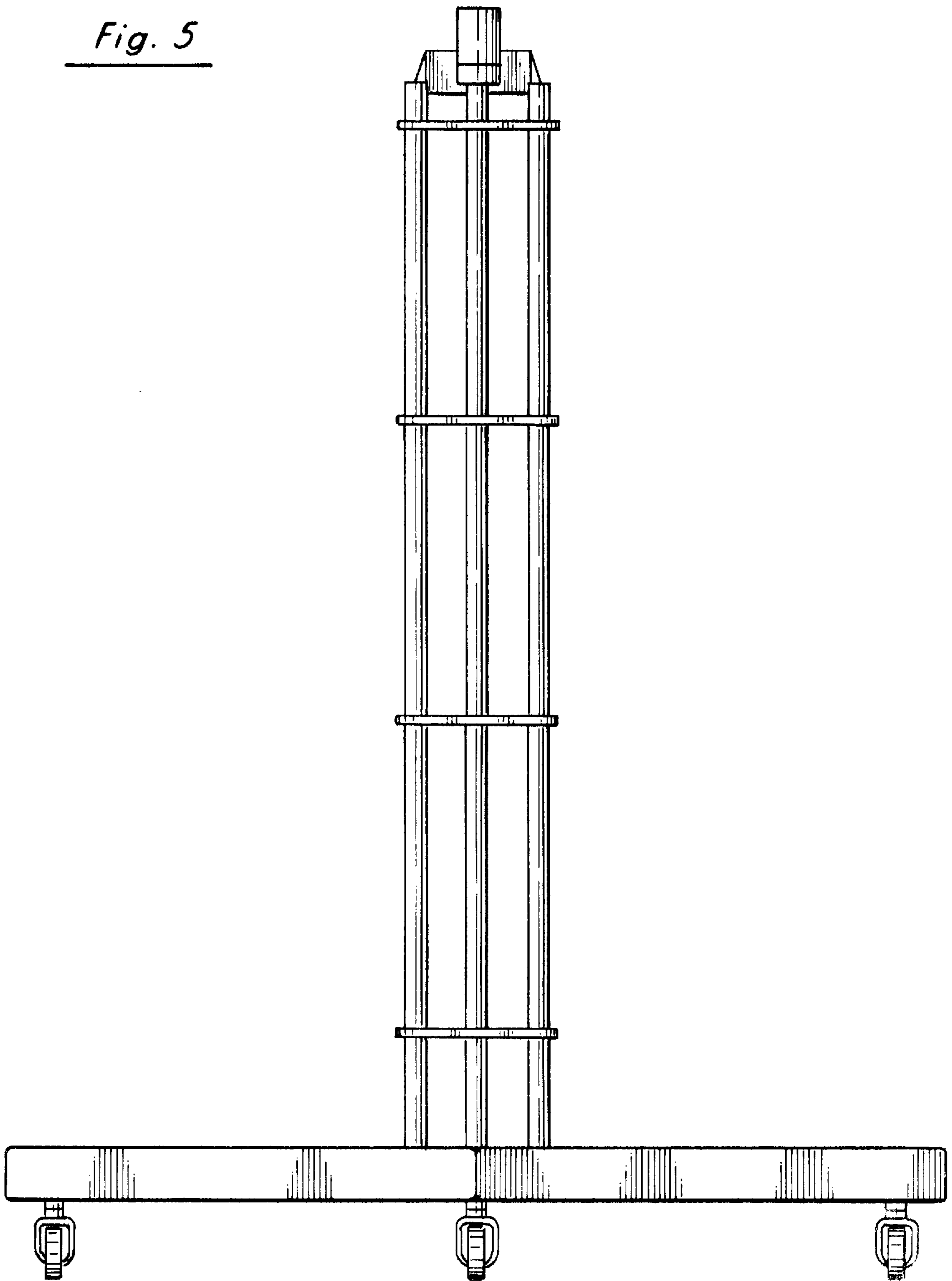


Fig. 4

Fig. 5



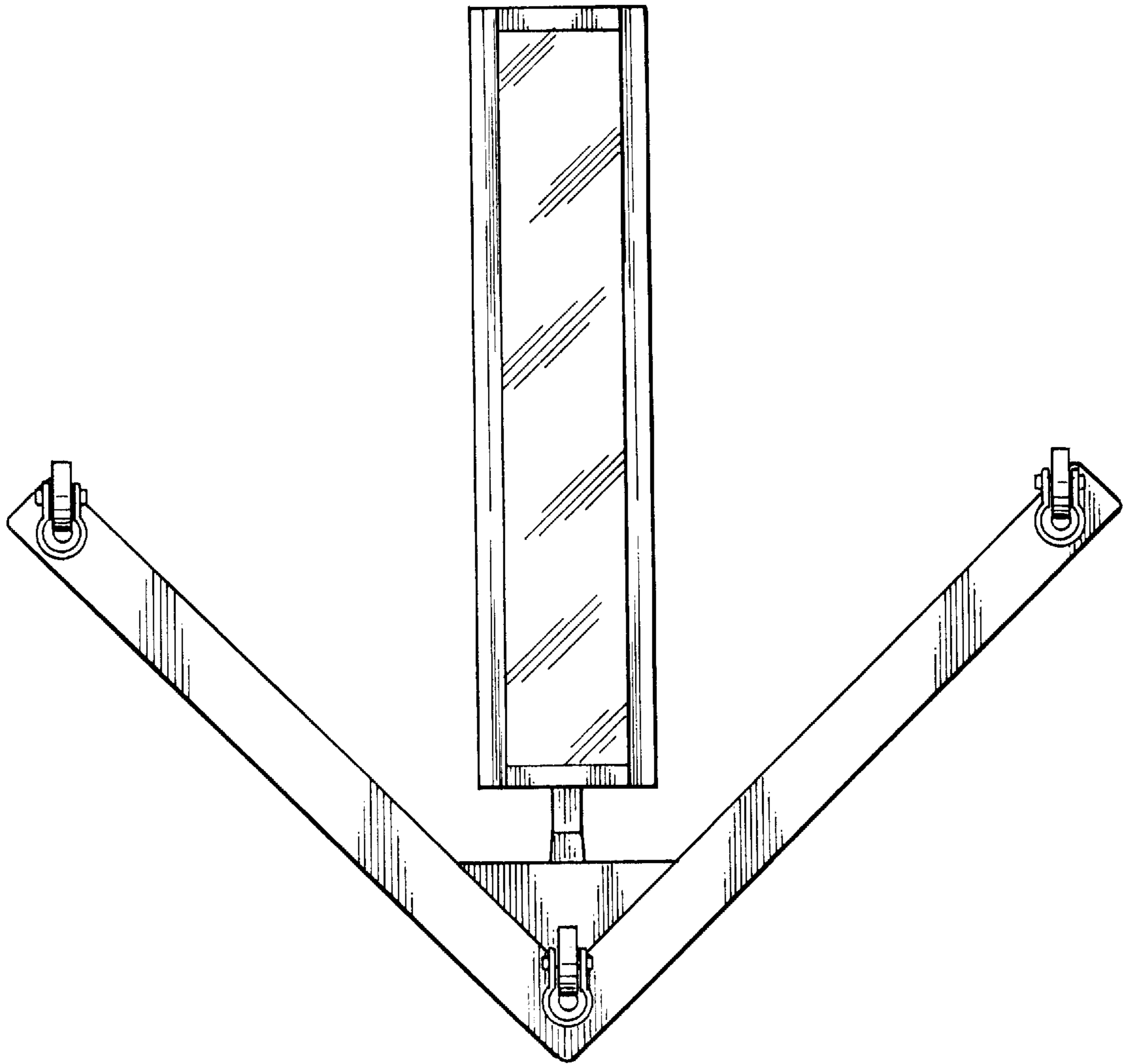


Fig. 6