



US00D405203S

United States Patent [19]
Tobianski

[11] **Patent Number: Des. 405,203**
[45] **Date of Patent: **Feb. 2, 1999**

[54] **PORTABLE LIGHT**

4,167,774 9/1979 Knuchel et al. 362/396 X
5,180,220 1/1993 Van Kalsbeek 362/98

[76] Inventor: **Randolph L. Tobianski**, S78 W18473
Lions Park Dr., Muskego, Wis. 53150

Primary Examiner—Susan J. Lucas
Attorney, Agent, or Firm—Ryan Kromholz & Manion

[**] Term: **14 Years**

[57] **CLAIM**

[21] Appl. No.: **81,891**

The ornamental design for a portable light, as shown.

[22] Filed: **Dec. 19, 1997**

DESCRIPTION

[51] **LOC (6) Cl.** **26-05**

FIG. 1 is a front and side perspective view of a portable light showing my new design;

[52] **U.S. Cl.** **D26/60**

FIG. 2 is a left side elevational view thereof;

[58] **Field of Search** D26/60-66; 362/269,
362/275, 287, 288, 418, 419, 427, 98

FIG. 3 is a rear elevational view thereof;

FIG. 4 is a top plan view thereof;

[56] **References Cited**

FIG. 5 is a right side elevational view thereof;

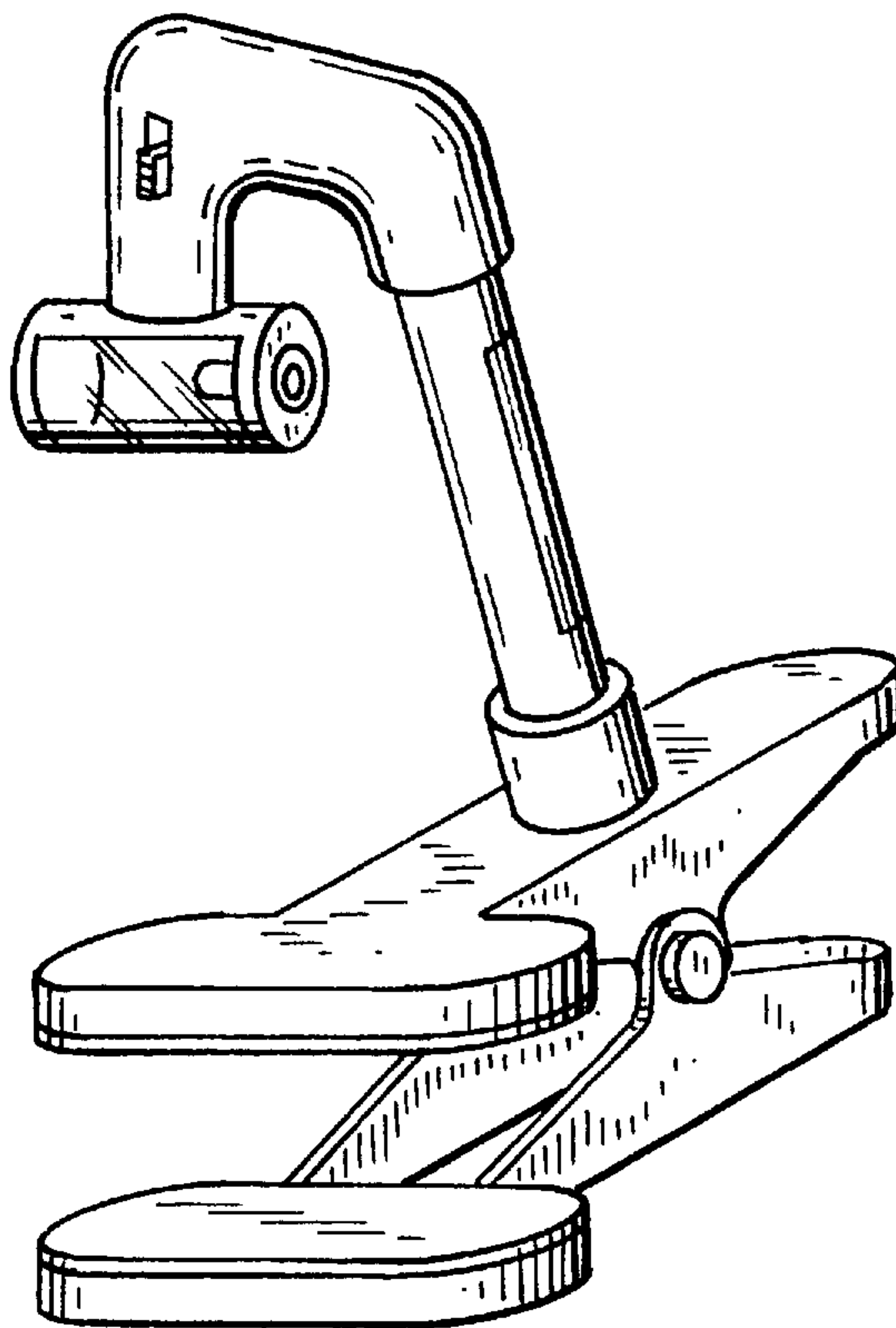
U.S. PATENT DOCUMENTS

FIG. 6 is a front elevational view thereof; and,

FIG. 7 is a bottom plan view thereof.

D. 287,412 12/1986 Fang D26/60
1,555,829 10/1925 Becka 362/396 X
1,949,289 2/1934 Andersen 362/396 X

1 Claim, 2 Drawing Sheets



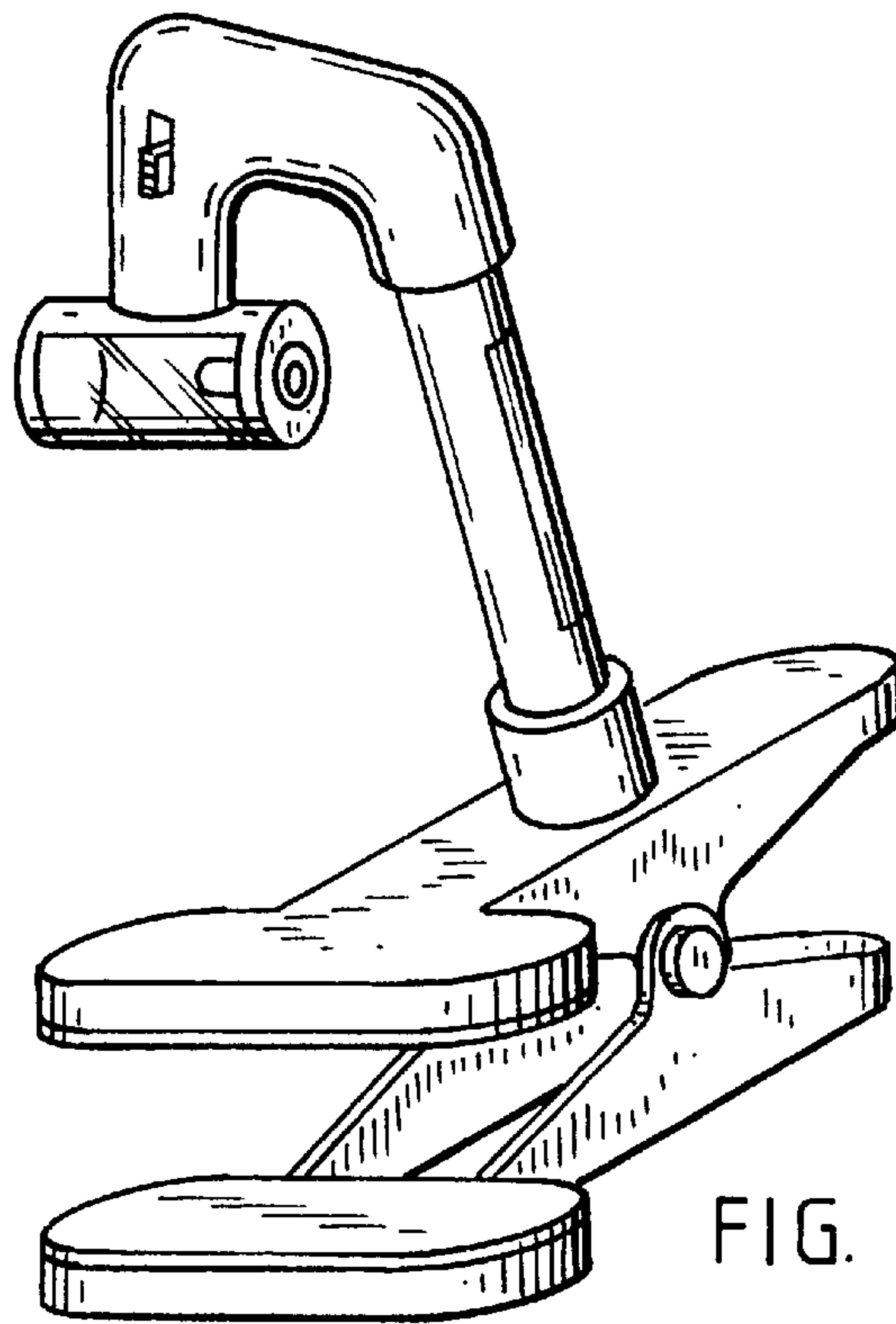


FIG. 1

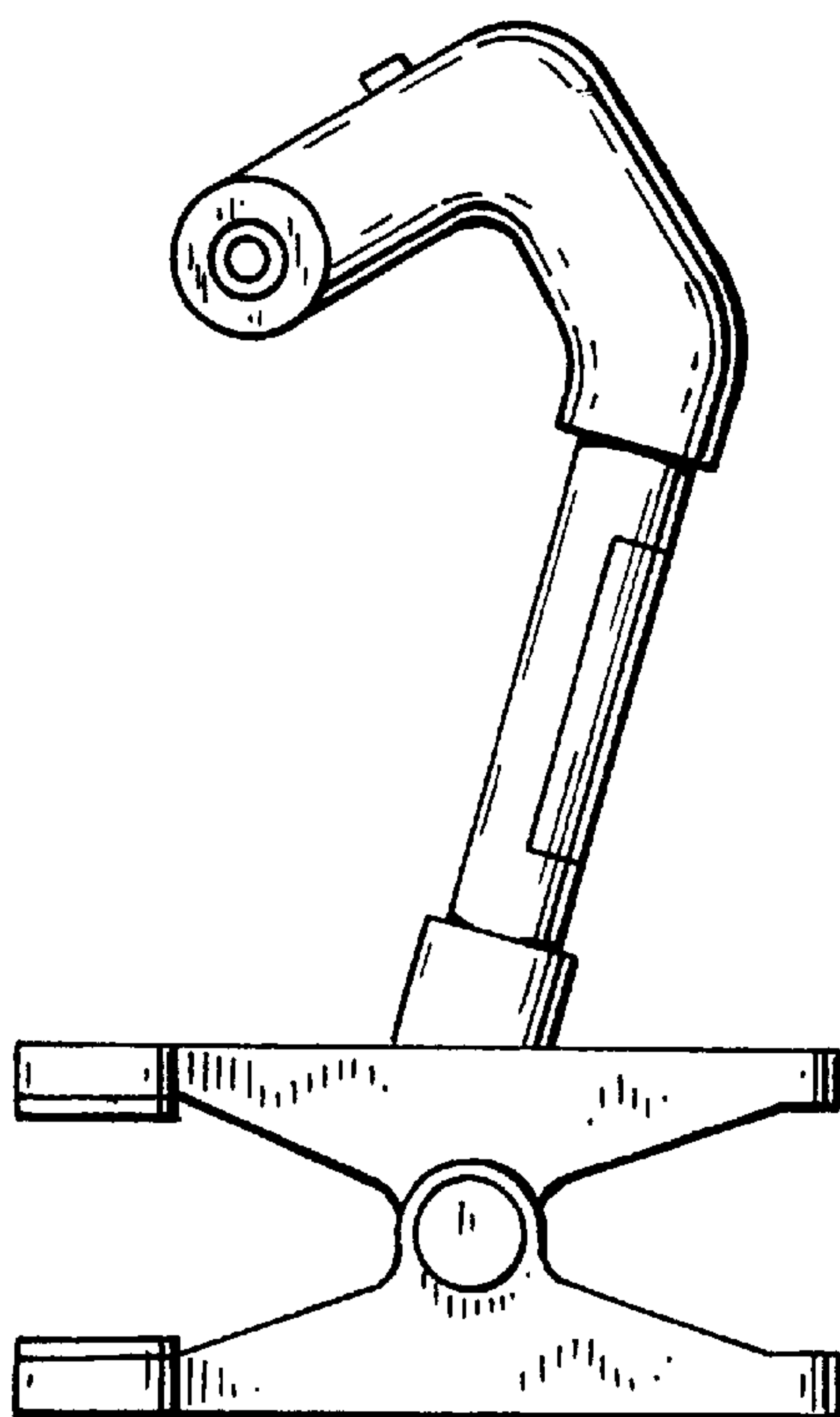


FIG. 2

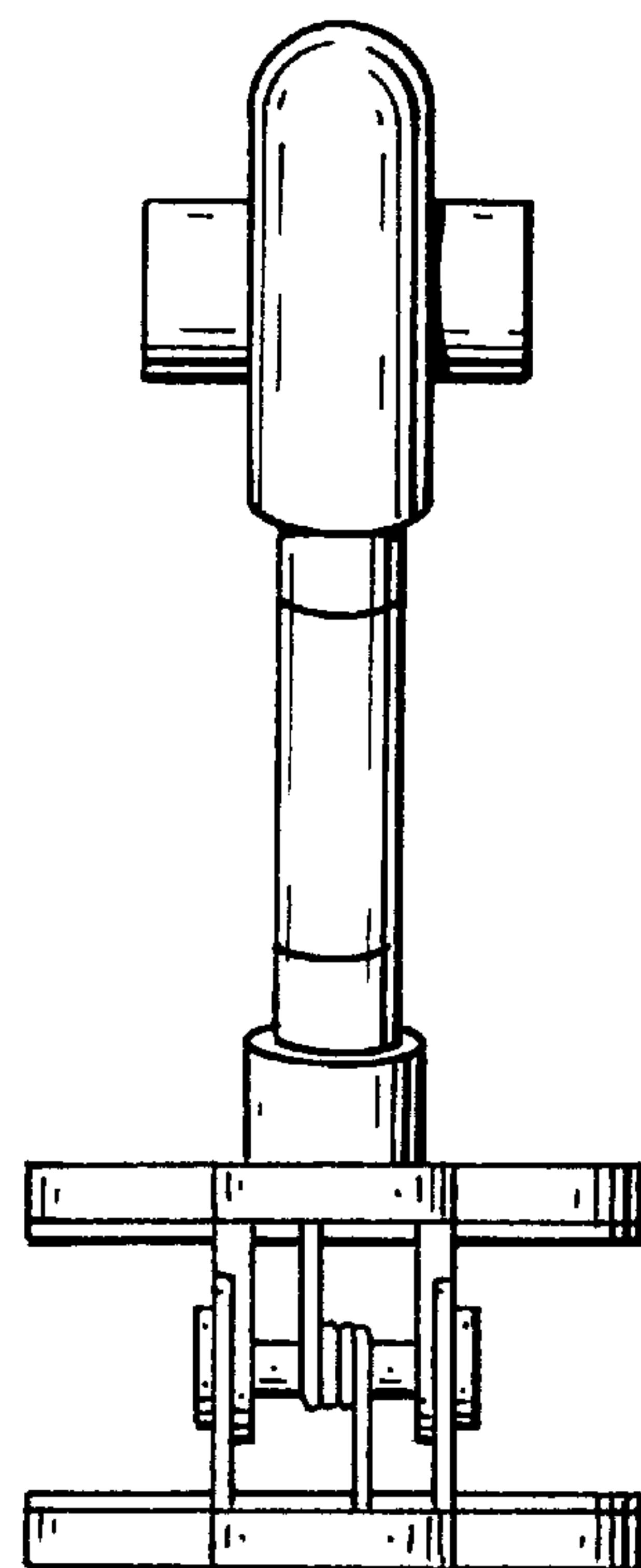


FIG. 3

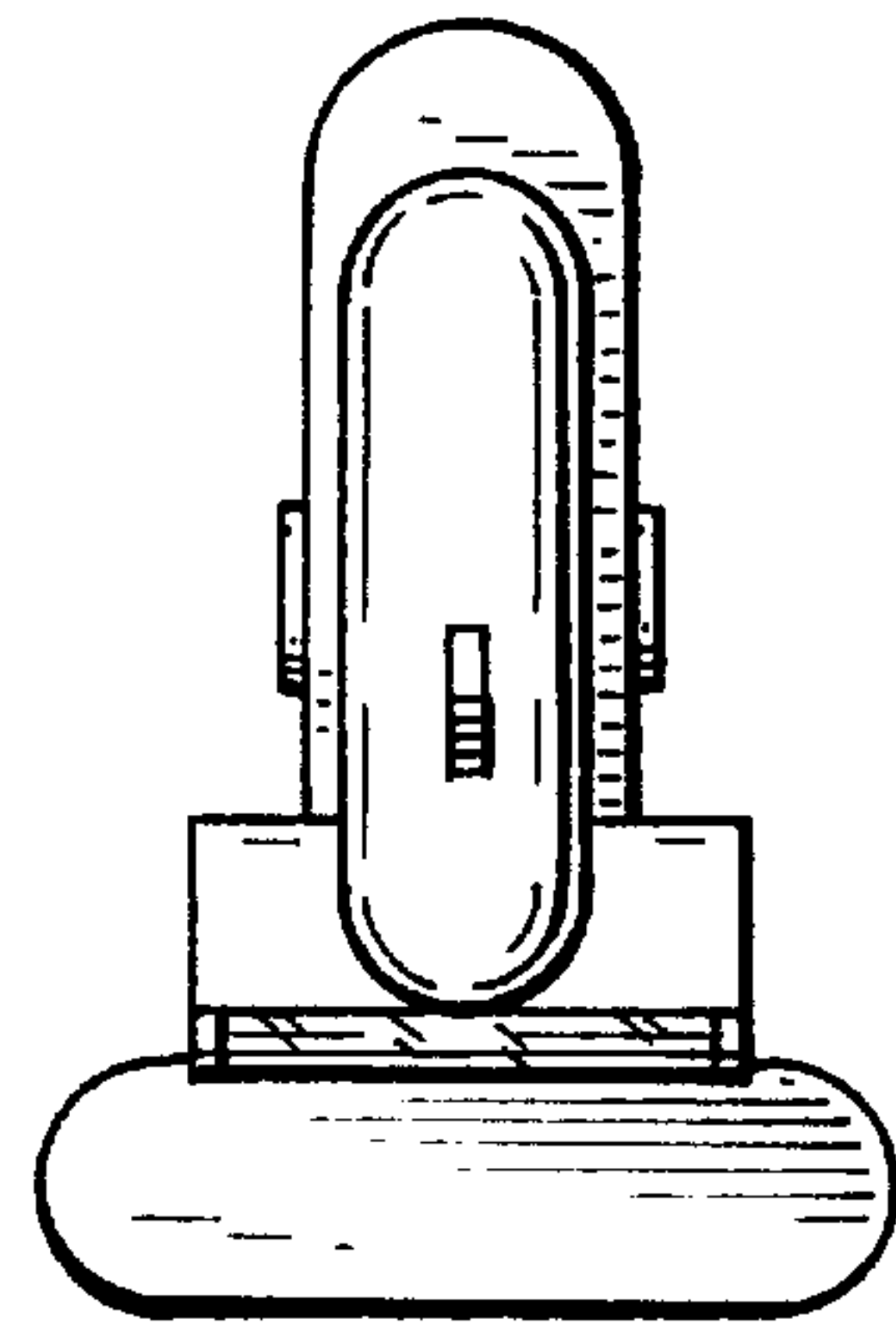


FIG. 4

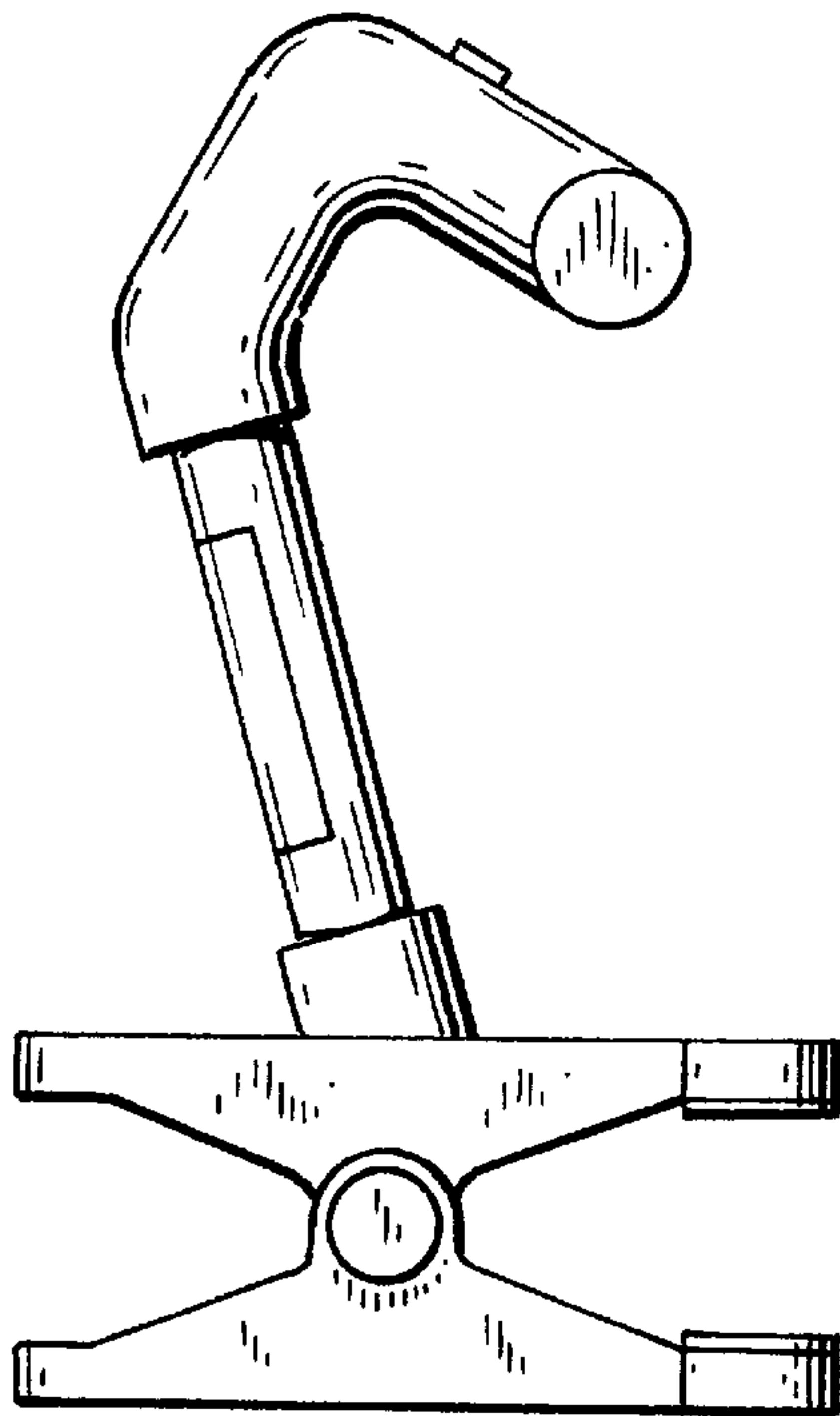


FIG. 5

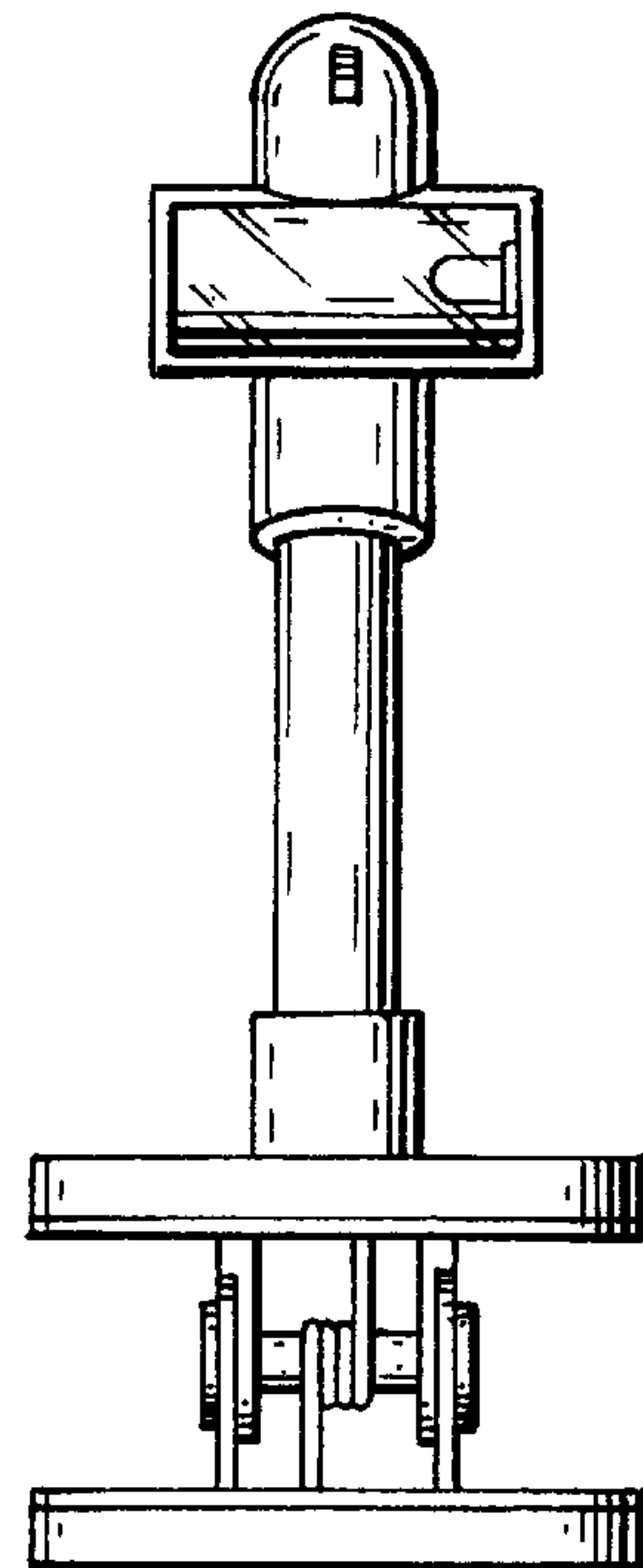


FIG. 6

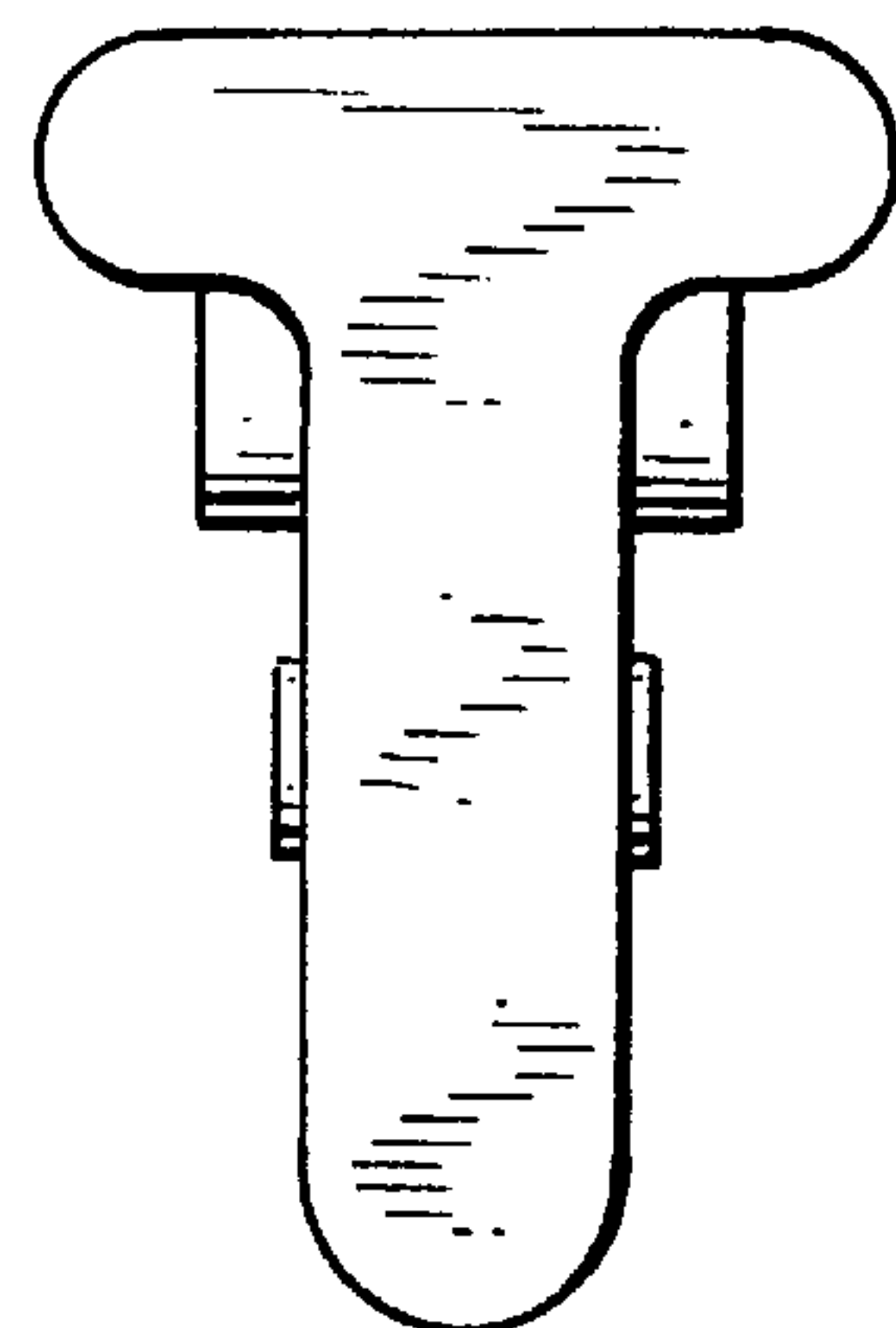


FIG. 7