



US00D405198S

**United States Patent** [19]  
**St. Louis**

[11] **Patent Number: Des. 405,198**

[45] **Date of Patent: \*\*Feb. 2, 1999**

[54] **SPRAY PAINT BOOTH WALL**

[75] Inventor: **Daniel St. Louis**, West Bloomfield, Mich.

[73] Assignee: **Haden, Inc.**, Auburn Hills, Mich.

[\*\*] Term: **14 Years**

[21] Appl. No.: **71,517**

[22] Filed: **May 31, 1997**

[51] **LOC (6) Cl.** ..... **25-01**

[52] **U.S. Cl.** ..... **D25/138**

[58] **Field of Search** ..... D25/138, 58; 52/380, 52/383, 415, 460, 474, 262, 235, 762, 764

[56] **References Cited**

**U.S. PATENT DOCUMENTS**

3,206,901 9/1965 Bakke ..... 52/235

3,221,453 12/1965 Lietaert ..... 52/235  
3,800,489 4/1974 Boice ..... 52/762  
5,335,472 8/1994 Phillips ..... D25/138  
5,575,124 11/1996 Novello, Jr. .... 52/762

*Primary Examiner*—Doris Clark  
*Attorney, Agent, or Firm*—Niro, Scavone, Haller & Niro

[57] **CLAIM**

I claim the ornamental design of the spray paint booth wall, as shown and described.

**DESCRIPTION**

FIG. 1 is a front perspective of the spray paint booth wall showing my new design; and,

FIG. 2 is a rear perspective of the spray paint booth wall showing my new design.

**1 Claim, 1 Drawing Sheet**

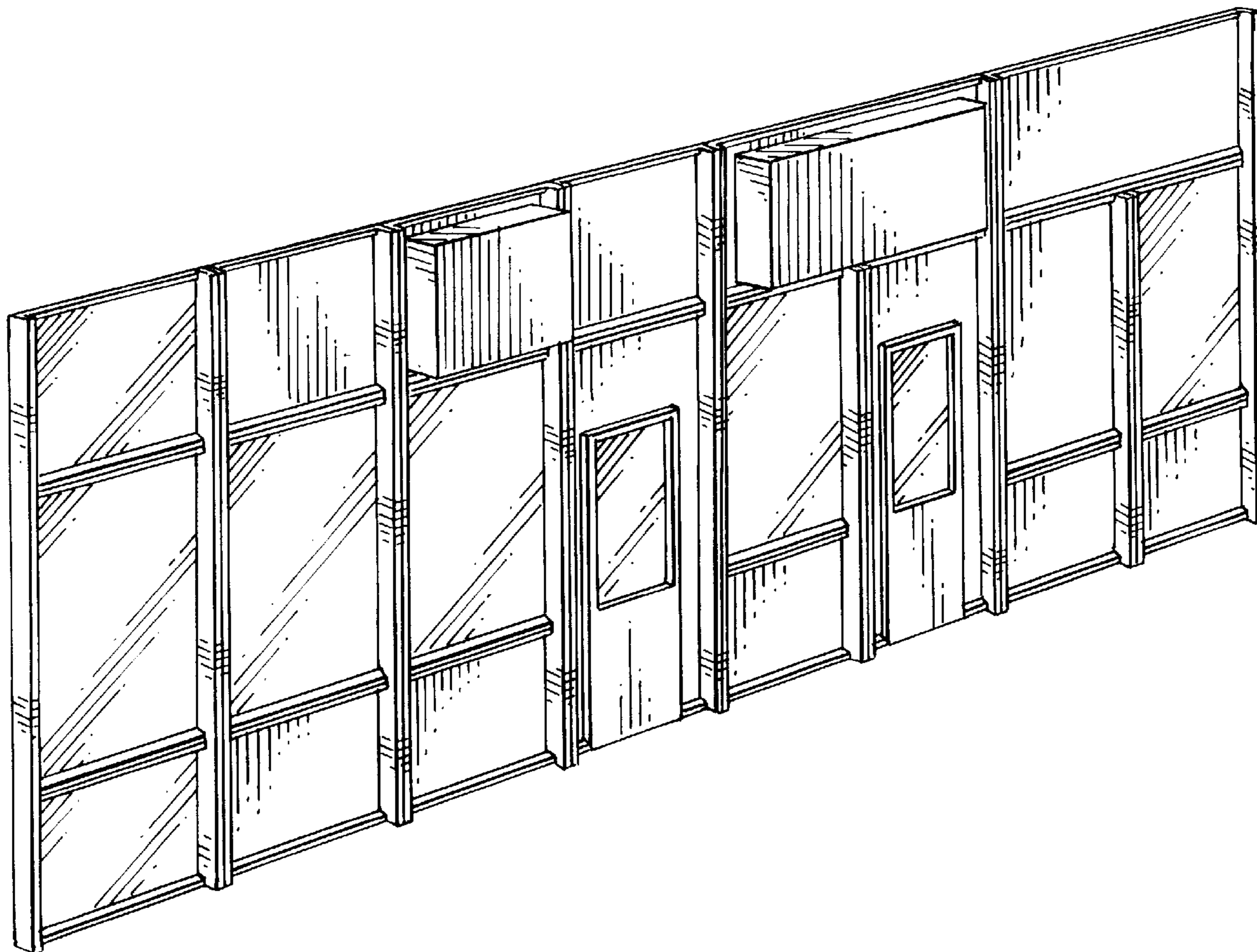


FIG. 1

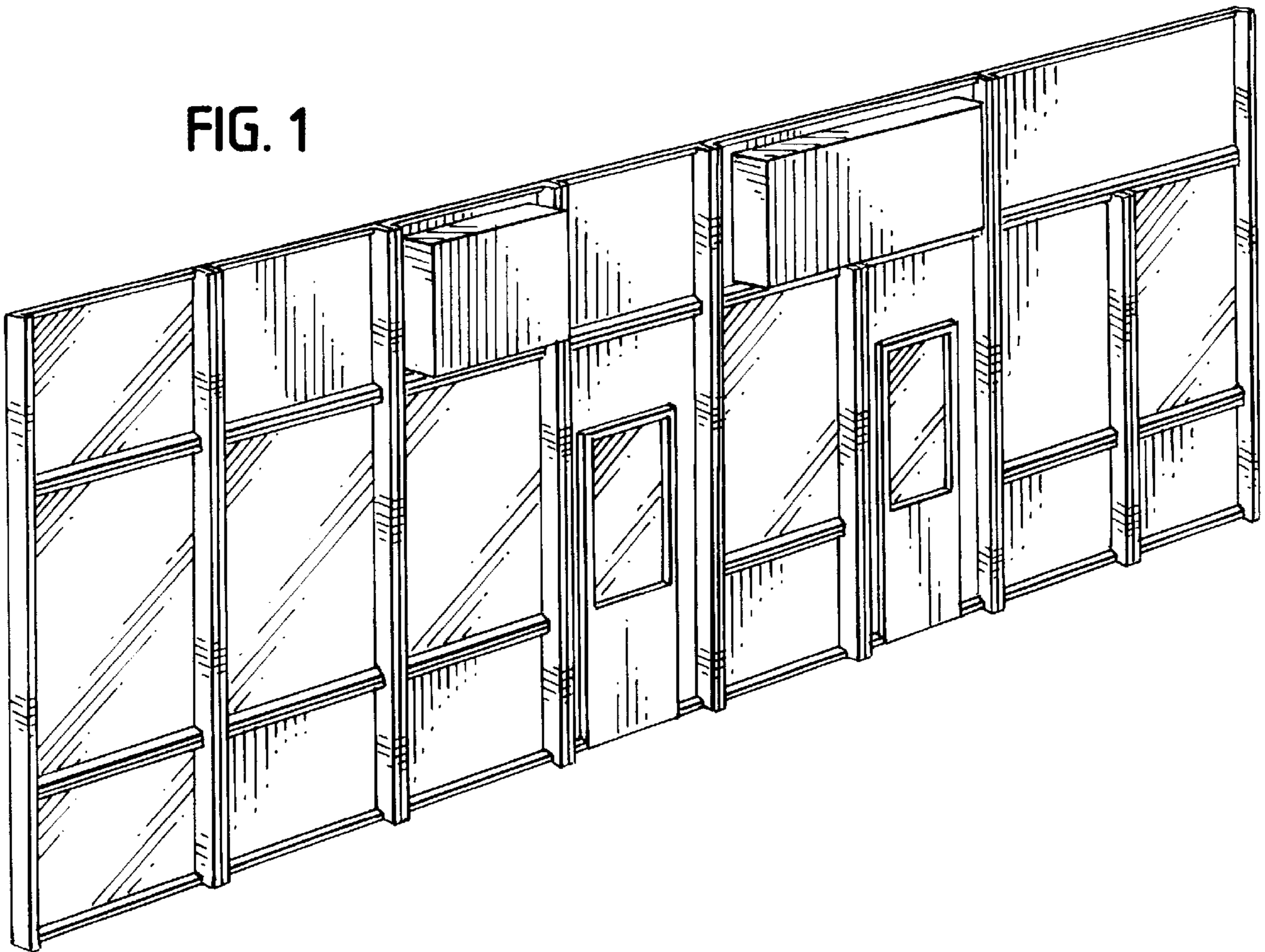


FIG. 2

