



US00D405192S

# United States Patent [19]

Smith et al.

[11] **Patent Number:** **Des. 405,192**

[45] **Date of Patent:** **\*\*Feb. 2, 1999**

[54] **PUCK HOUSING**

[75] Inventors: **Gary Thomas Smith**, Collegeville;  
**David Patrick O'Bryan**, Kennett  
Square; **Bingham Hood van Dyke, Jr.**,  
Gilbertsville, all of Pa.; **Michael John  
Campanelli**, Mahopac, N.Y.

[73] Assignee: **Bayer Corporation**, Tarrytown, N.Y.

[\*\*] Term: **14 Years**

[21] Appl. No.: **79,415**

[22] Filed: **Nov. 13, 1997**

[51] **LOC (6) Cl.** ..... **24-99**

[52] **U.S. Cl.** ..... **D24/227; D9/455**

[58] **Field of Search** ..... D24/216, 227;  
D9/455; 211/74; 248/146, 310, 311.2, 312;  
220/737

D. 295,963 5/1988 Conlon ..... D9/455  
D. 307,869 5/1990 Miskinis ..... D9/455  
5,014,868 5/1991 Wittig et al. .... 220/737

*Primary Examiner*—Raphael Barkai  
*Assistant Examiner*—Richelle Shelton  
*Attorney, Agent, or Firm*—Rodman & Rodman; Andrew L.  
Klawitter

## [57] CLAIM

The ornamental design for a puck housing, as shown and described.

## DESCRIPTION

FIG. 1 is a top perspective view of a puck housing showing our new design;  
FIG. 2 is a bottom perspective view thereof;  
FIG. 3 is a top view thereof;  
FIG. 4 is an elevational view thereof; and,  
FIG. 5 is a bottom view thereof.

## [56] References Cited

### U.S. PATENT DOCUMENTS

D. 260,207 8/1981 Whyte ..... 211/74 X

**1 Claim, 1 Drawing Sheet**

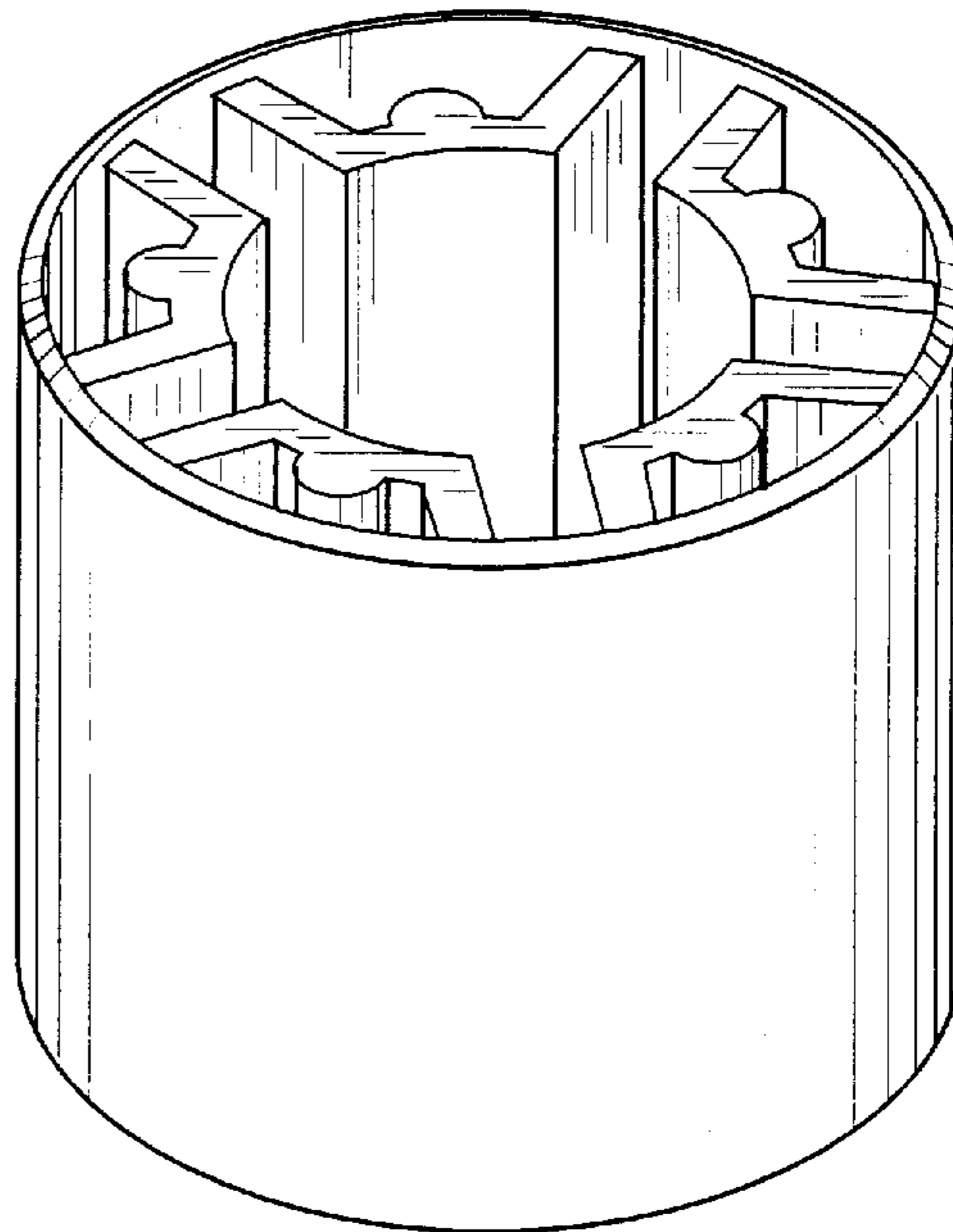
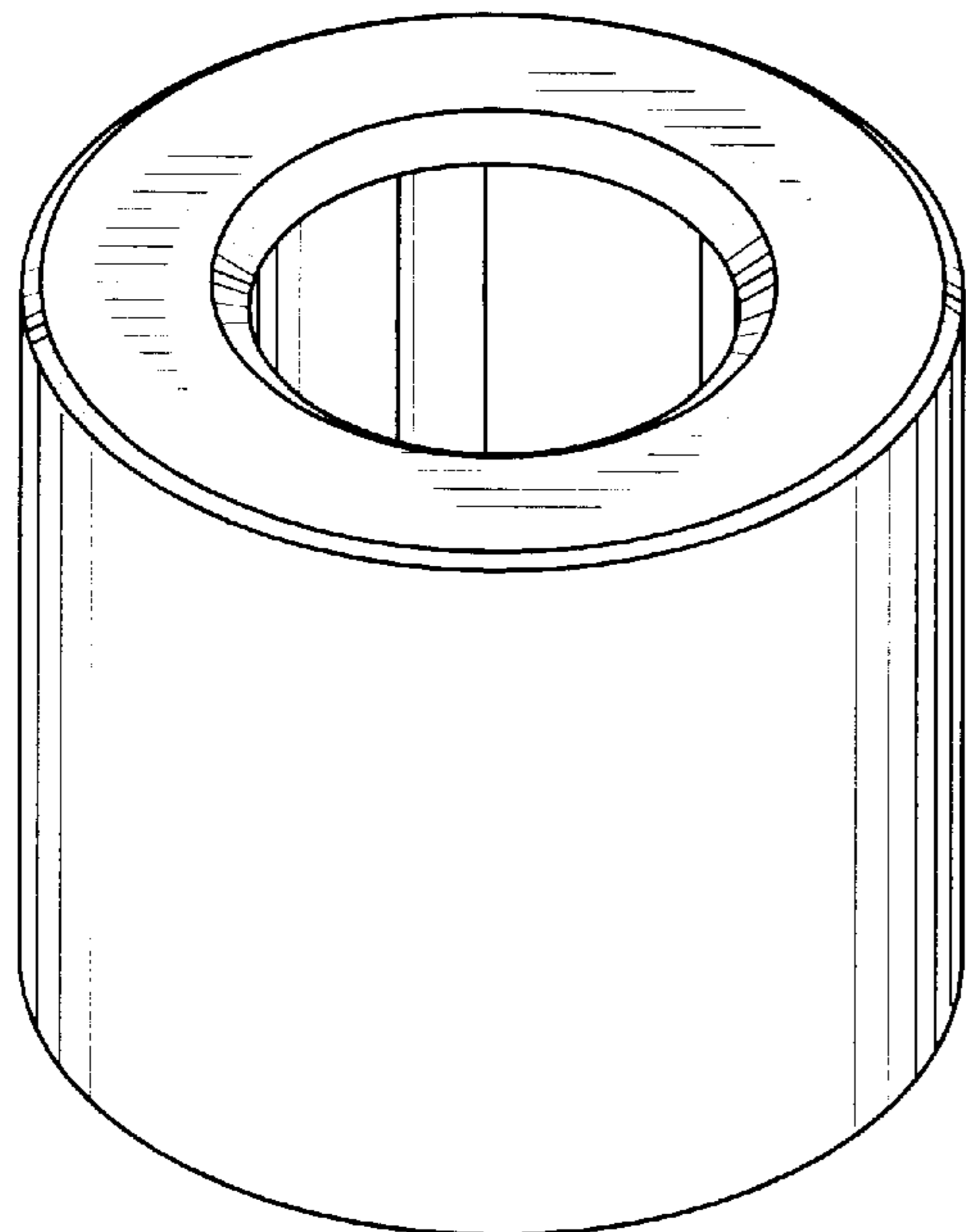


FIG. 1

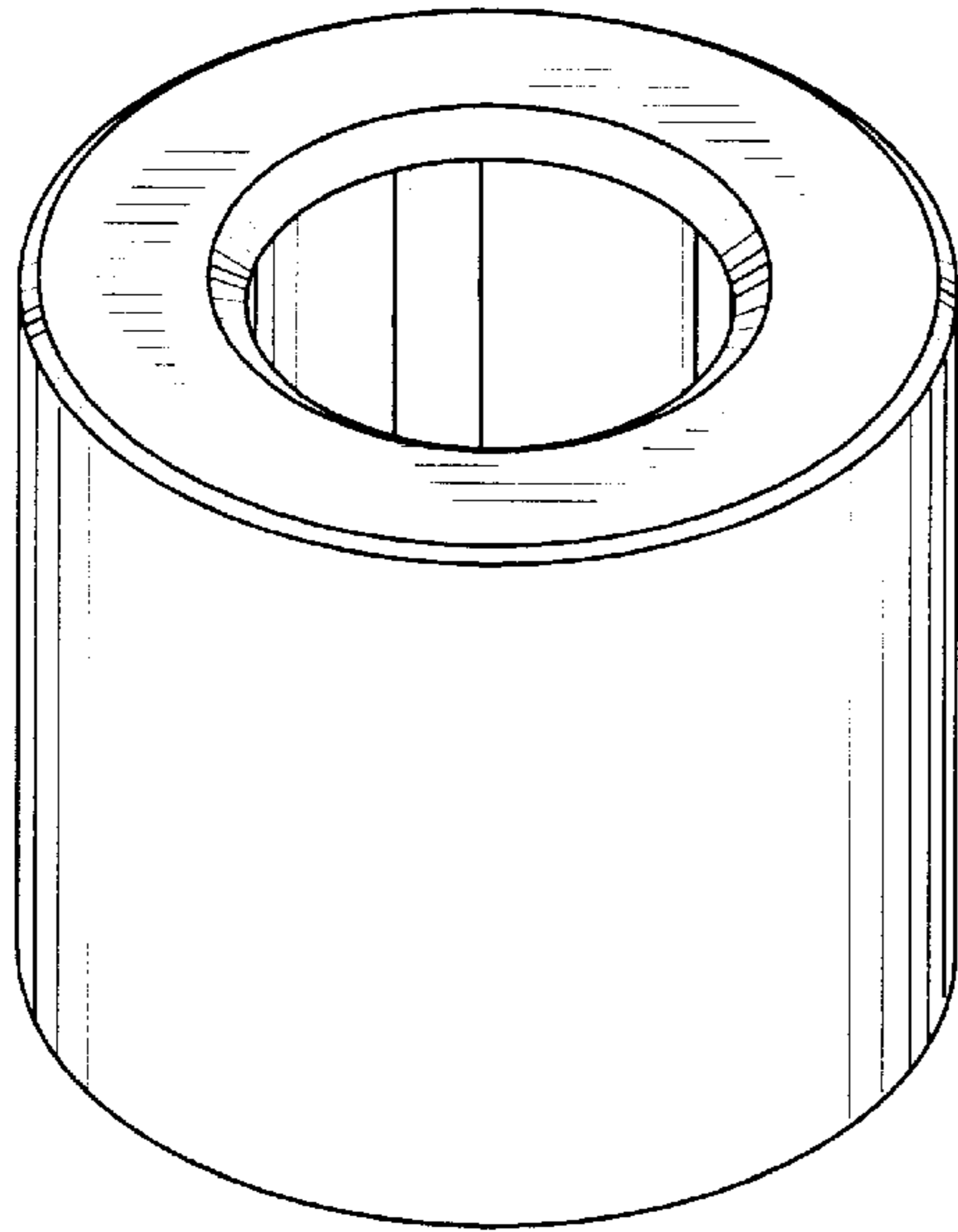


FIG. 2

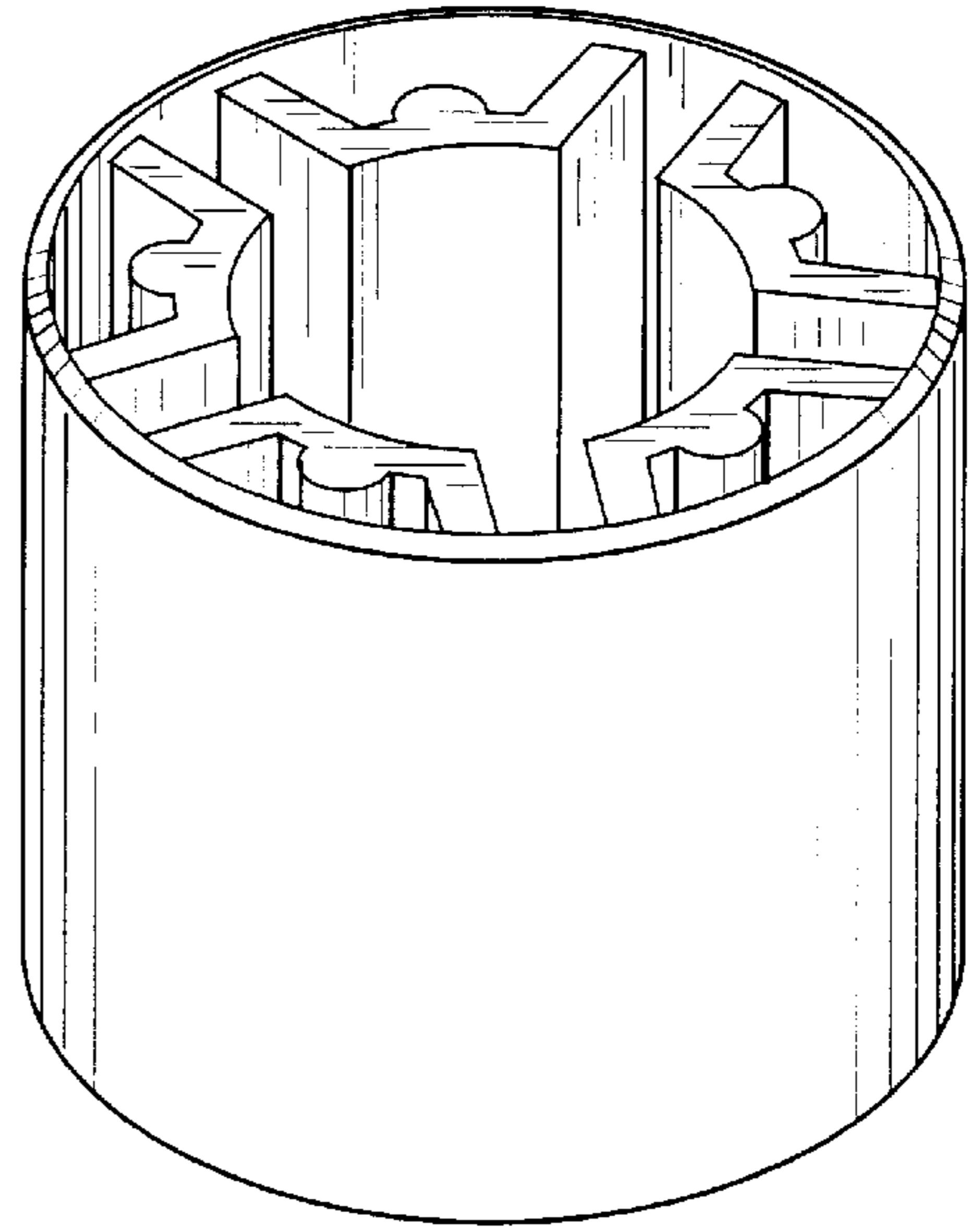


FIG. 3

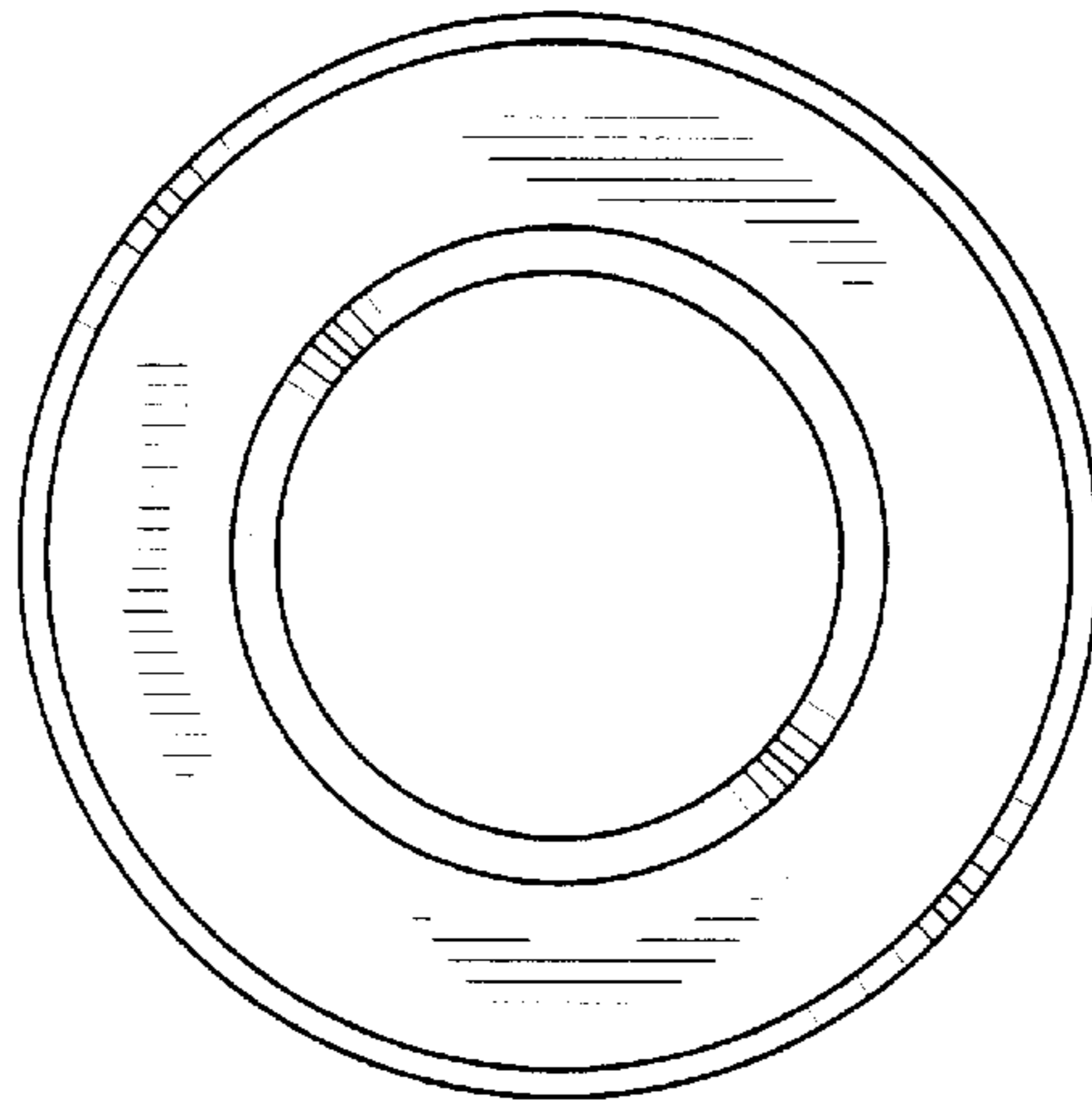


FIG. 4

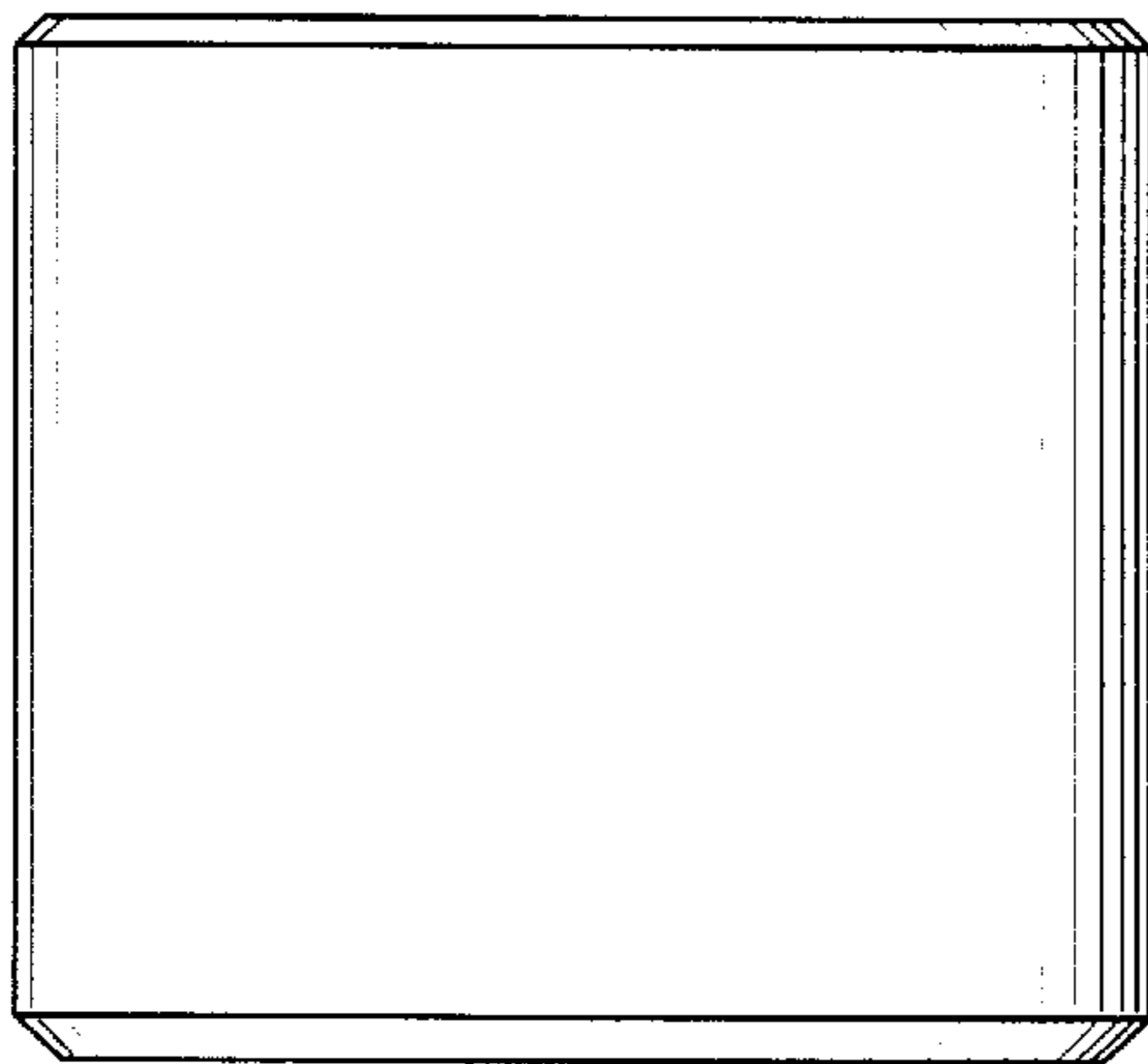


FIG. 5

