



US00D405191S

# United States Patent [19]

Matsunaga et al.

[11] Patent Number: Des. 405,191

[45] Date of Patent: \*\*Feb. 2, 1999

[54] STERILIZER

[75] Inventors: **Katsutoshi Matsunaga; Kouji Ono; Takashi Nishimura**, all of Matsuyama, Japan

[73] Assignee: **Miura Co., Ltd.**, Ehime-ken, Japan

[\*\*] Term: **14 Years**

[21] Appl. No.: **72,756**

[22] Filed: **Jun. 24, 1997**

### [30] Foreign Application Priority Data

Dec. 24, 1996 [JP] Japan ..... 8-39150

[51] LOC (6) Cl. .... **24-01**

[52] U.S. Cl. .... **D24/217**

[58] Field of Search ..... D24/217; 422/26, 422/27, 1; D15/144.1

### [56] References Cited

#### U.S. PATENT DOCUMENTS

- D. 212,571 10/1968 Eaton ..... D24/217
- D. 223,297 4/1972 Kirk ..... D15/144.1
- D. 264,123 4/1982 Brendgord et al. .... D24/217
- D. 264,124 4/1982 Brendgord et al. .... D24/217

- 1,446,994 2/1923 Sieben ..... 422/27
- 4,915,606 4/1990 Shimokawa ..... 422/26
- 5,491,092 2/1996 Colvin ..... 422/26

### OTHER PUBLICATIONS

Fischer Catalog Steam Generator for steralizers, p. 1533, Dec. 1994.

*Primary Examiner*—Louis S. Zarfes  
*Assistant Examiner*—Gray Andoll  
*Attorney, Agent, or Firm*—Birch, Stewart, Kolasch, & Birch, LLP

### [57] CLAIM

The ornamental design for a sterilizer, as shown and described.

### DESCRIPTION

FIG. 1 is a front and right-side perspective view of the sterilizer showing our new design;  
FIG. 2 is a bottom, rear, left-side perspective view thereof; and,  
FIG. 3 is a front, left-side perspective view thereof with the door half-opened.

The top of the sterilizer forms no part of the claimed design.

**1 Claim, 3 Drawing Sheets**

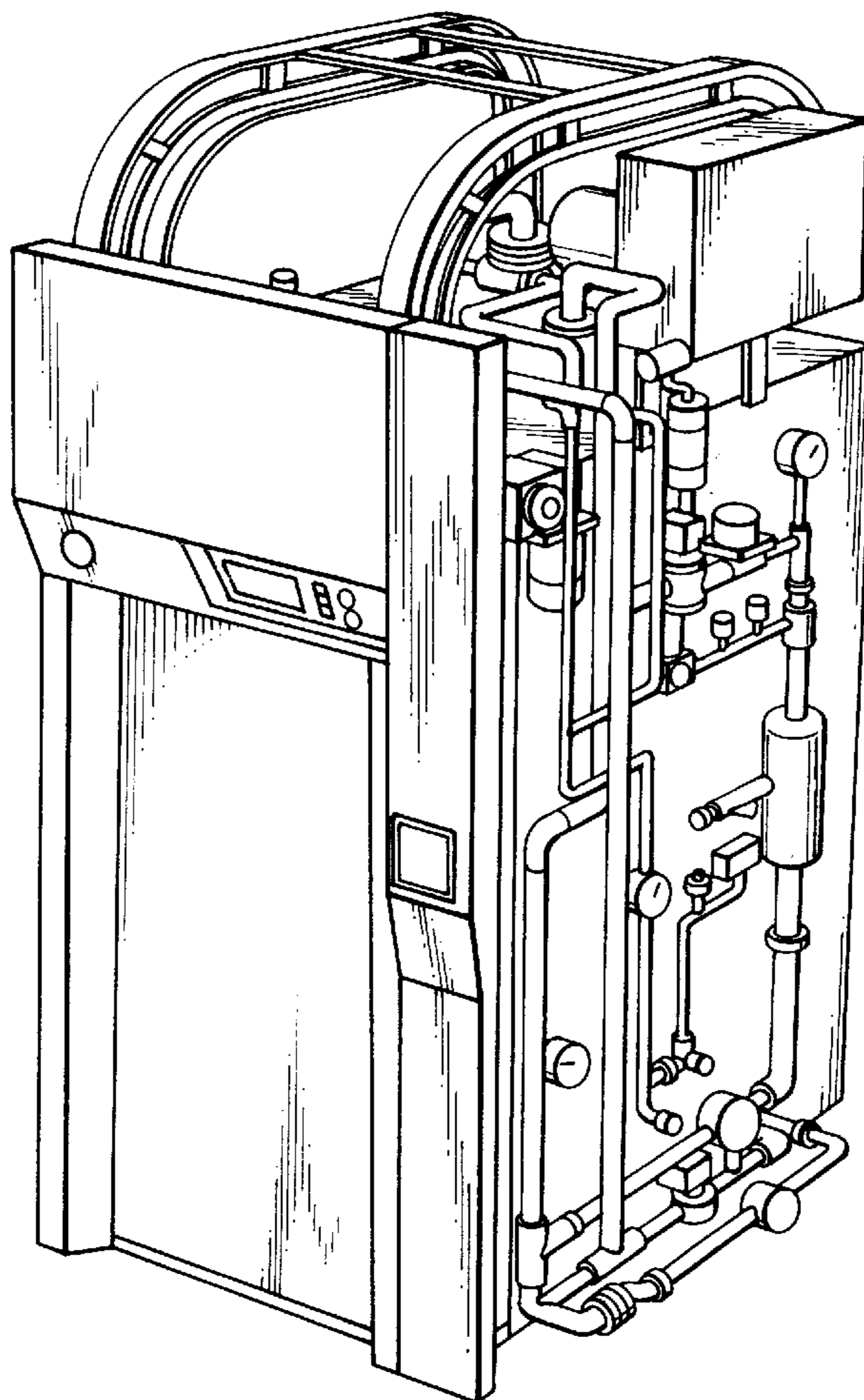


FIG. 1

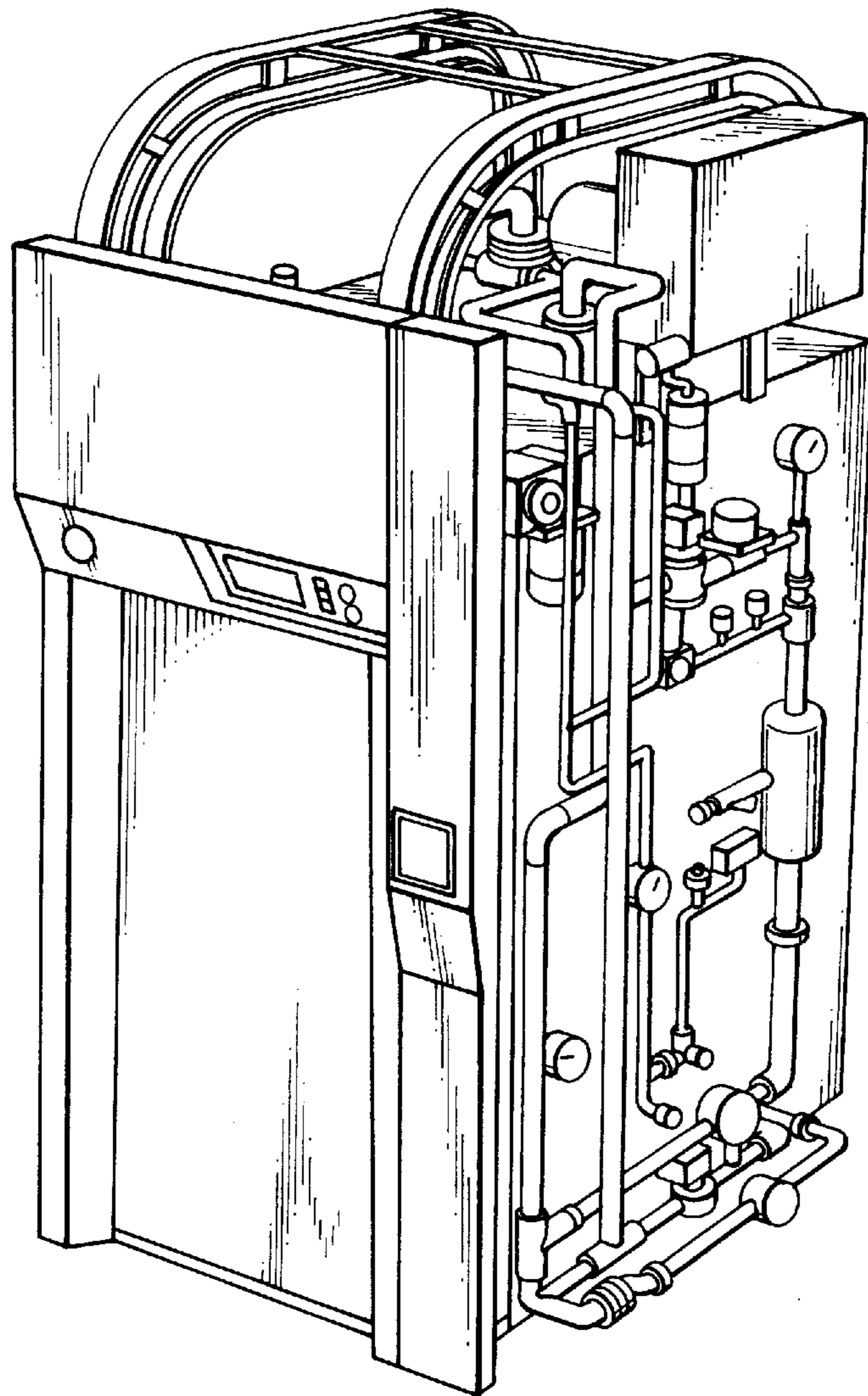


FIG. 2

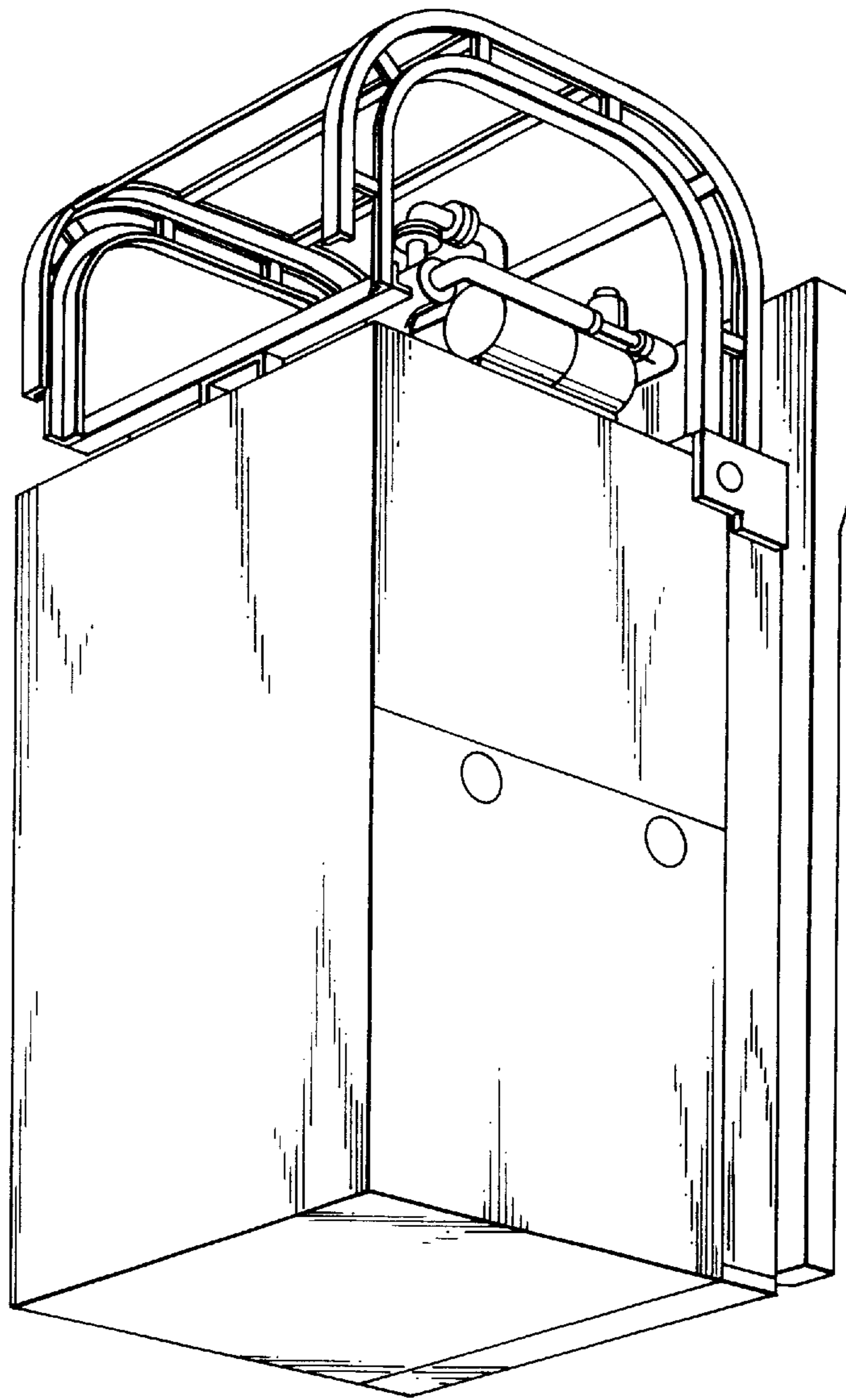


FIG. 3

