



US00D405190S

# United States Patent [19] Pope-Morris

[11] **Patent Number: Des. 405,190**

[45] **Date of Patent: \*\*Feb. 2, 1999**

[54] **TESTING AND MONITORING DEVICE**

[76] Inventor: **Annette Pope-Morris**, 2449 Union Blvd. 18B, Islip, N.Y. 11751

[\*\*] Term: **14 Years**

[21] Appl. No.: **73,296**

[22] Filed: **Jul. 21, 1997**

[51] **LOC (6) Cl. .... 24-02**

[52] **U.S. Cl. .... D24/216; D24/232**

[58] **Field of Search .... D24/216, 232; 600/300**

[56] **References Cited**

**U.S. PATENT DOCUMENTS**

4,975,842	12/1990	Darrow et al. ....	600/300
5,388,043	2/1995	Hettinger .....	600/300
5,630,664	5/1997	Farely .....	600/300
5,704,350	1/1998	Williams, III .....	600/300
5,741,211	4/1998	Renirie et al. ....	600/300

*Primary Examiner*—Louis S. Zarfaz

*Assistant Examiner*—G. Andoll

[57] **CLAIM**

The ornamental design for a testing and monitoring device, as shown.

**DESCRIPTION**

FIG. 1 is a front plan view of the testing and monitoring device of the present invention;

FIG. 2 is a back plan view of the testing and monitoring device of FIG. 1;

FIG. 3 is a left side plan view of the testing and monitoring device of FIG. 1;

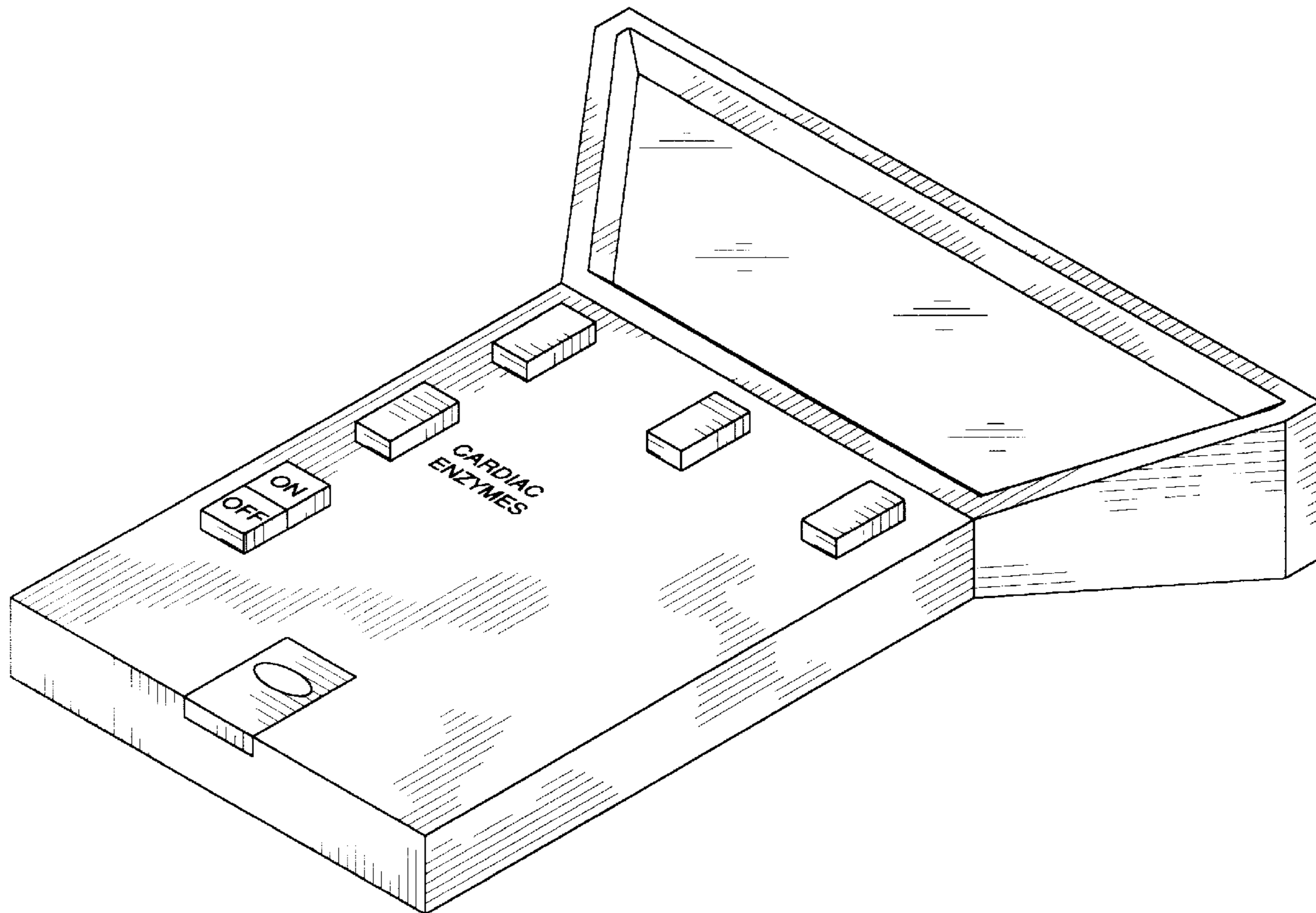
FIG. 4 is a right side plan view of the testing and monitoring device of FIG. 1;

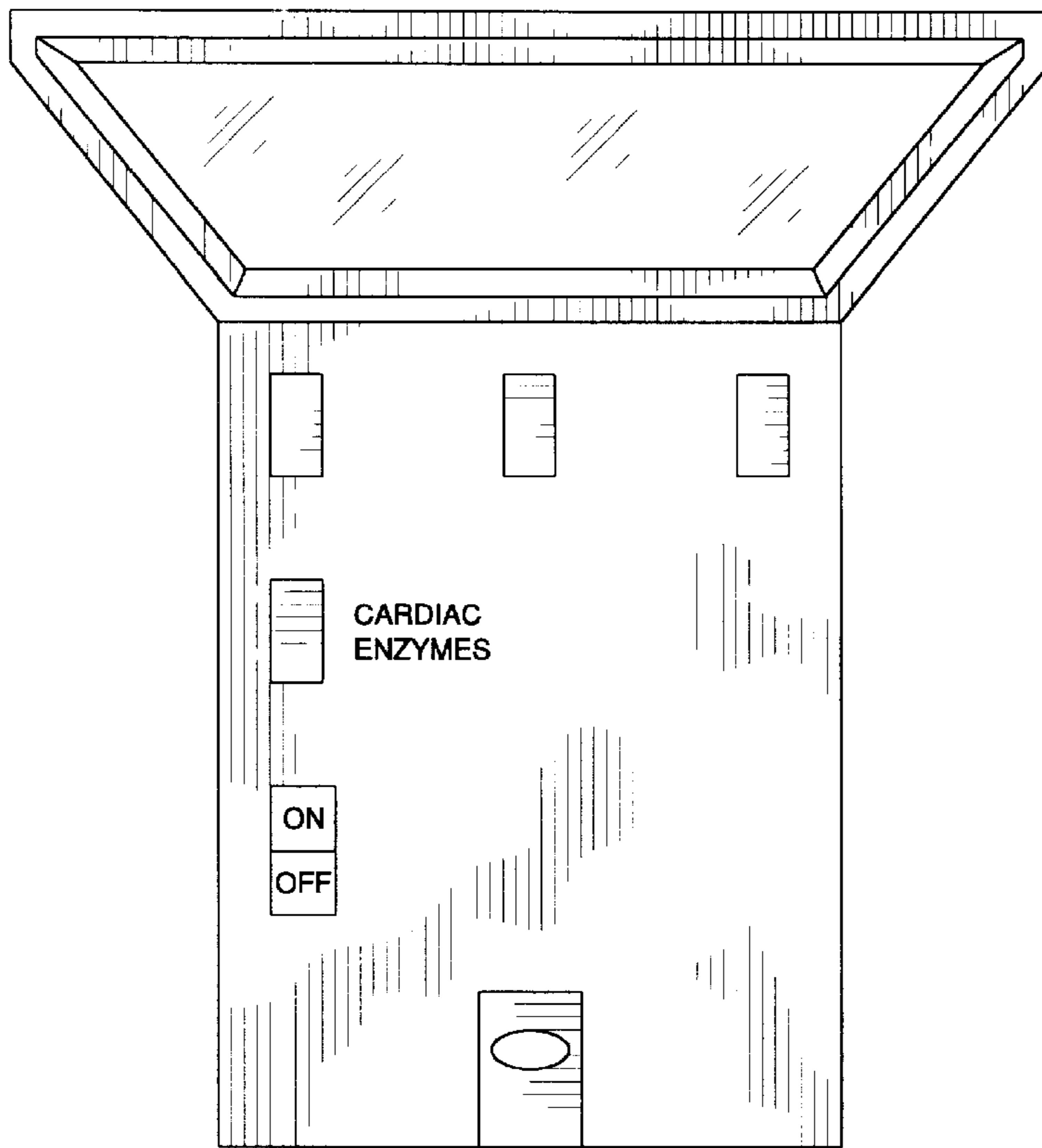
FIG. 5 is a top plan view of the testing and monitoring device of FIG. 1;

FIG. 6 is a bottom plan view of the testing and monitoring device of FIG. 1; and,

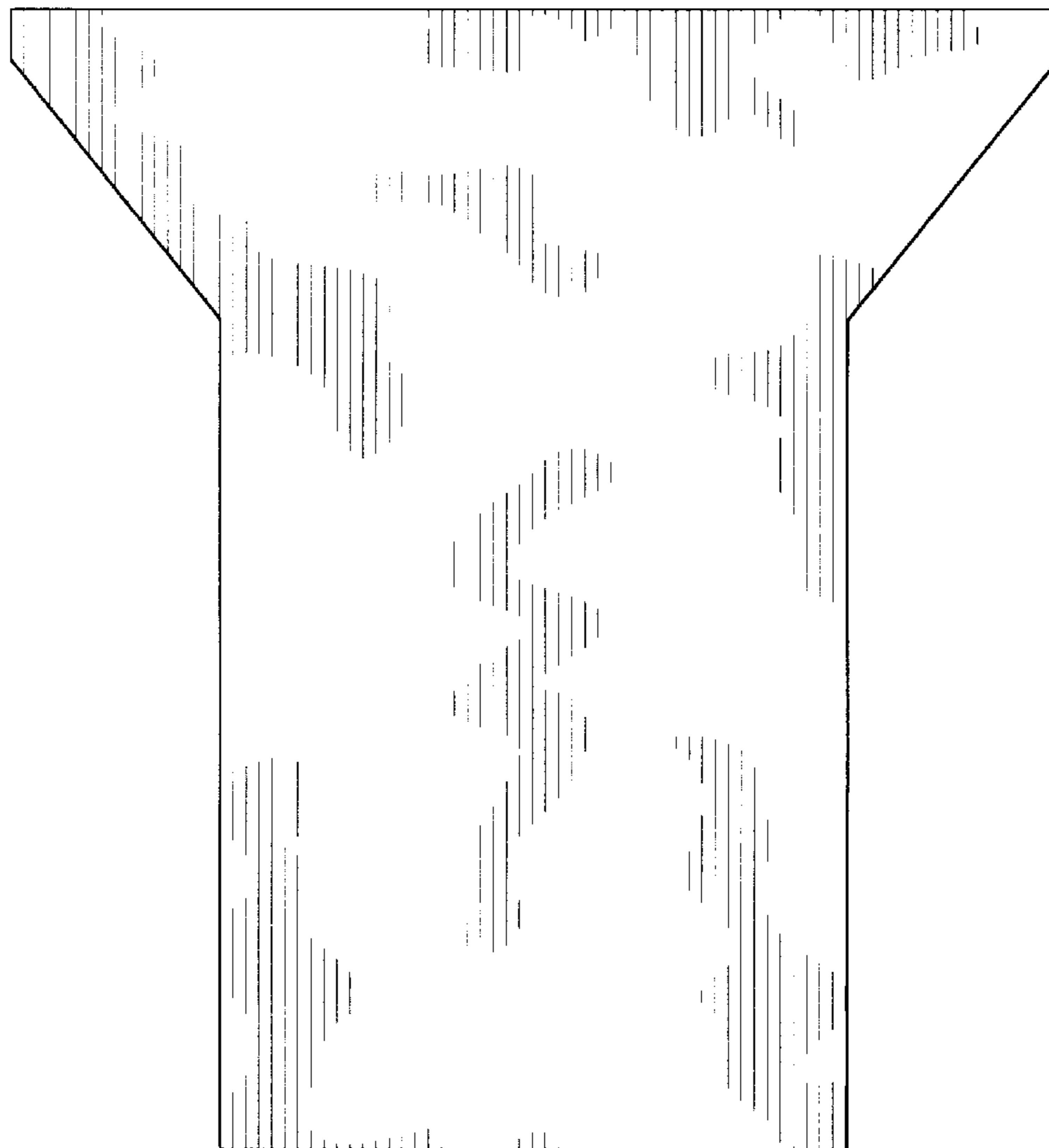
FIG. 7 is front, top, right side perspective view of the testing and monitoring device of FIG. 1.

**1 Claim, 4 Drawing Sheets**

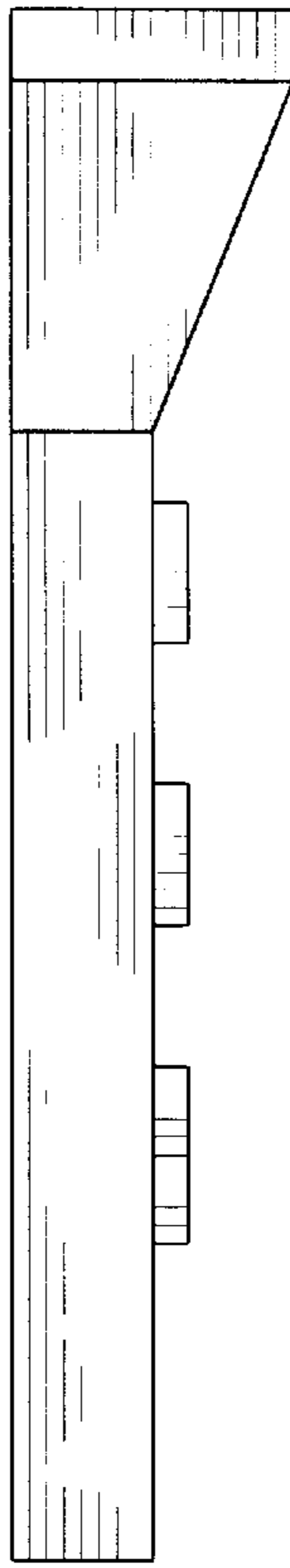




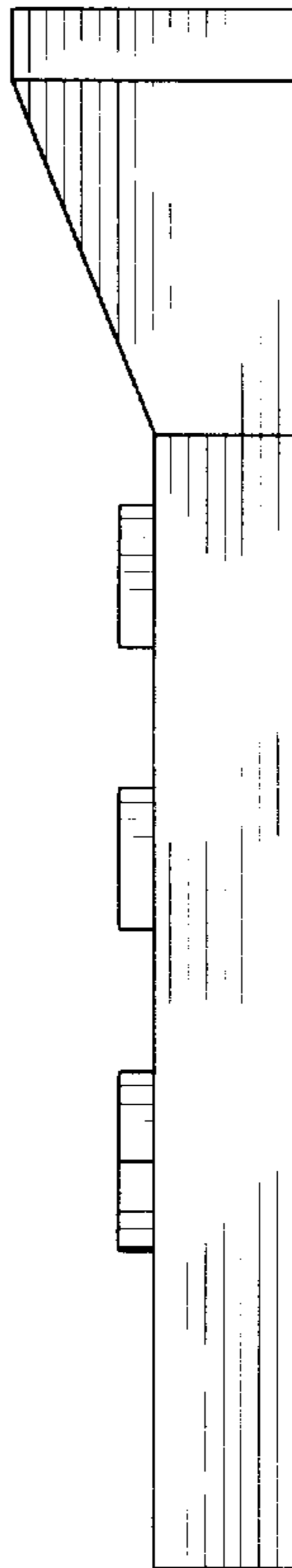
*Fig. 1*



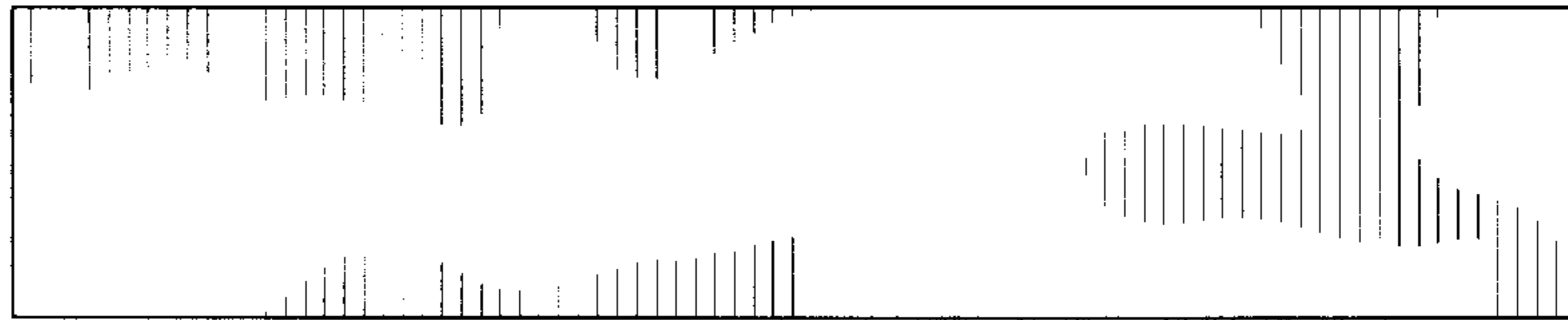
*Fig. 2*



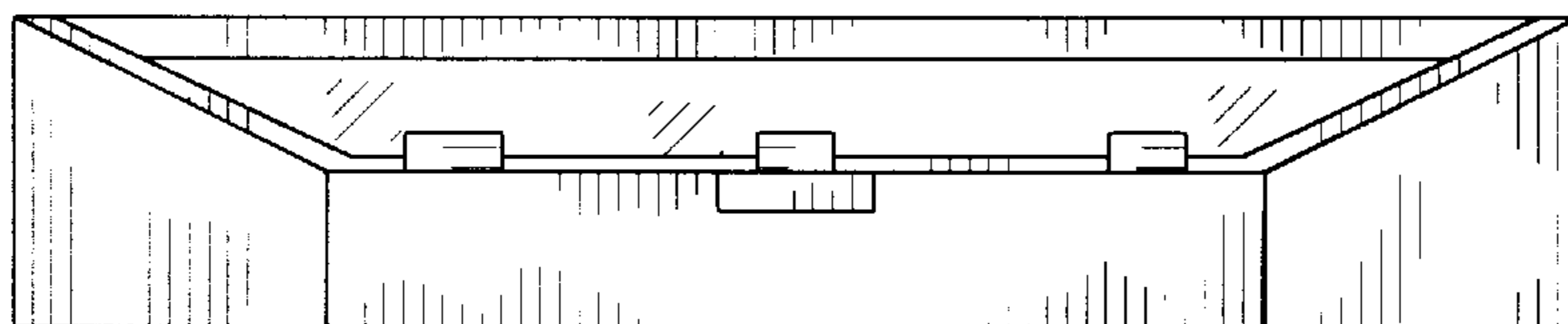
*Fig. 3*



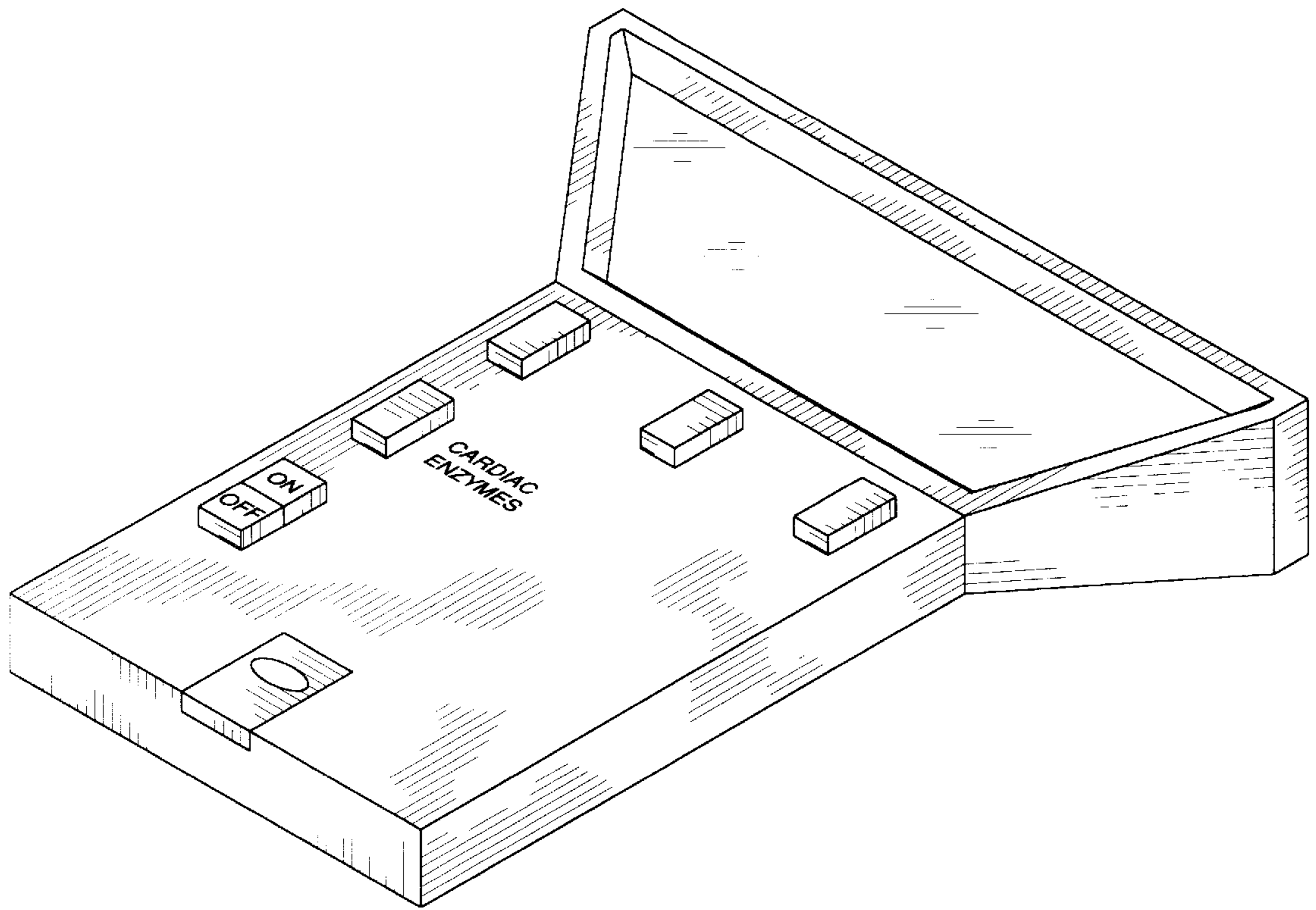
*Fig. 4*



*Fig. 5*



*Fig. 6*



*Fig. 7*