



US00D405181S

United States Patent [19]
Larsen

[11] **Patent Number: Des. 405,181**
[45] **Date of Patent: **Feb. 2, 1999**

- [54] **SPA SHELL**
- [75] Inventor: **Christopher Larsen**, Vista, Calif.
- [73] Assignee: **Watkins Manufacturing Corporation**, Vista, Calif.
- [**] Term: **14 Years**
- [21] Appl. No.: **62,595**
- [22] Filed: **Nov. 19, 1996**
- [51] **LOC (6) Cl.** **23-02**
- [52] **U.S. Cl.** **D24/204; D23/277**
- [58] **Field of Search** D24/204, 205; D23/277, 280.1–280.4, 303–306; 4/538, 541.1–541.6, 546, 592, 584

5,749,106 5/1998 Loyd et al. 4/541.1

OTHER PUBLICATIONS

Hotspring Brochure, 1996, pp. 29–31.
Primary Examiner—Louis S. Zarfaz
Assistant Examiner—Glen Andoll
Attorney, Agent, or Firm—Price Gess & Ubell

[56] **References Cited**

U.S. PATENT DOCUMENTS

D. 261,427	10/1981	Ogden	D24/204
D. 277,985	3/1985	Kingsley	D24/204
D. 287,620	1/1987	Delepine	D24/205
D. 288,717	3/1987	Willich et al.	D24/204
D. 301,374	5/1989	D’Innocente	D24/204
D. 305,061	12/1989	Pauls et al.	D24/205
D. 387,869	12/1997	Larsen	D24/204

[57] **CLAIM**

I claim the ornamental design for a spa shell, as shown and described.

DESCRIPTION

FIG. 1 is a top front perspective of a spa shell showing my new design, the broken lines are for illustrative purposes only and form no part of the claimed design;
FIG. 2 is a top plan view thereof;
FIG. 3 is a cross-sectional view taken along line 3—3 of FIG. 2;
FIG. 4 is a cross-sectional view taken along line 4—4 of FIG. 2; and,
FIG. 5 is a cross-sectional view taken along line 5—5 of FIG. 2.
The bottom is plain and unornamented.

1 Claim, 3 Drawing Sheets

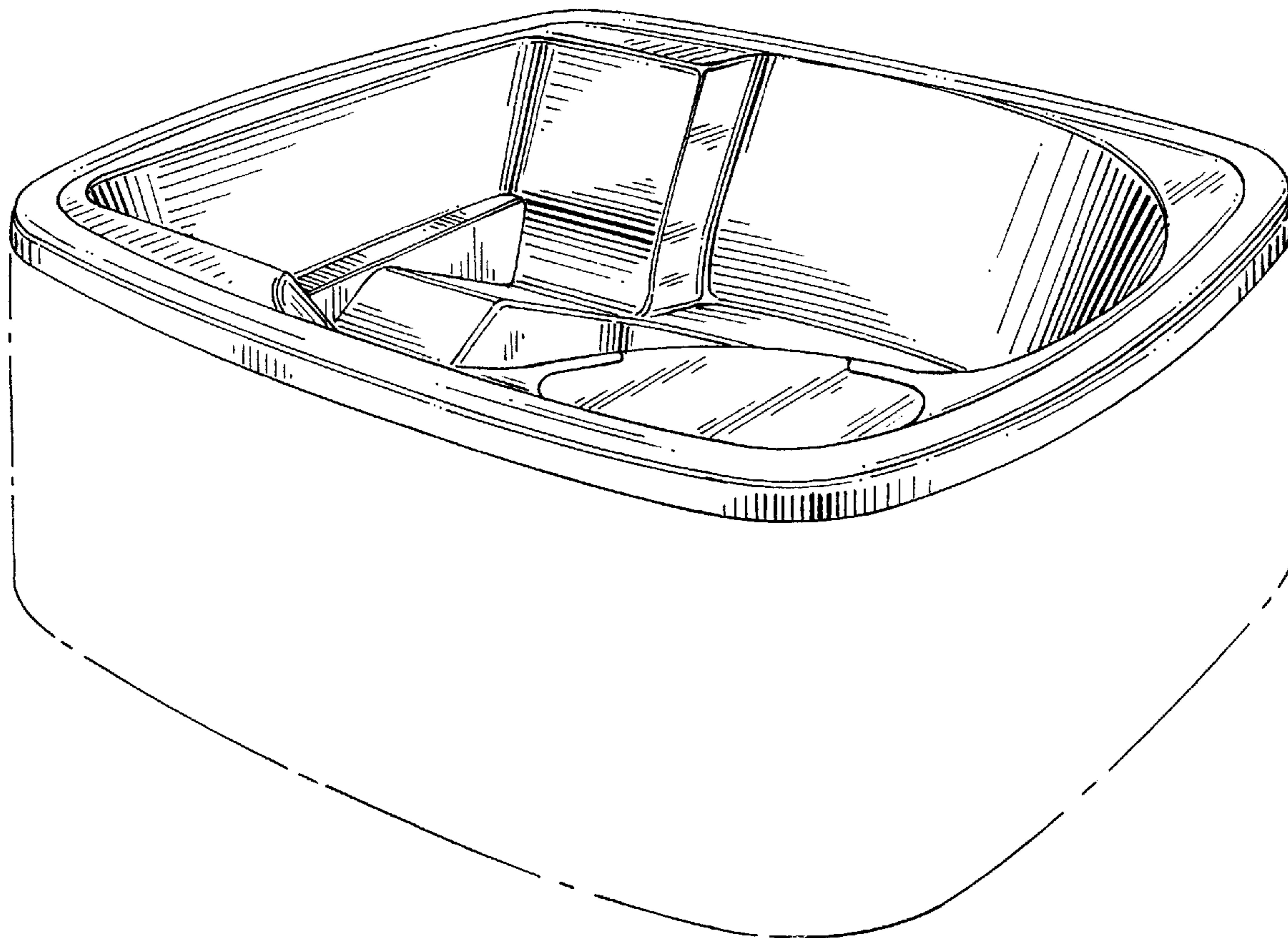
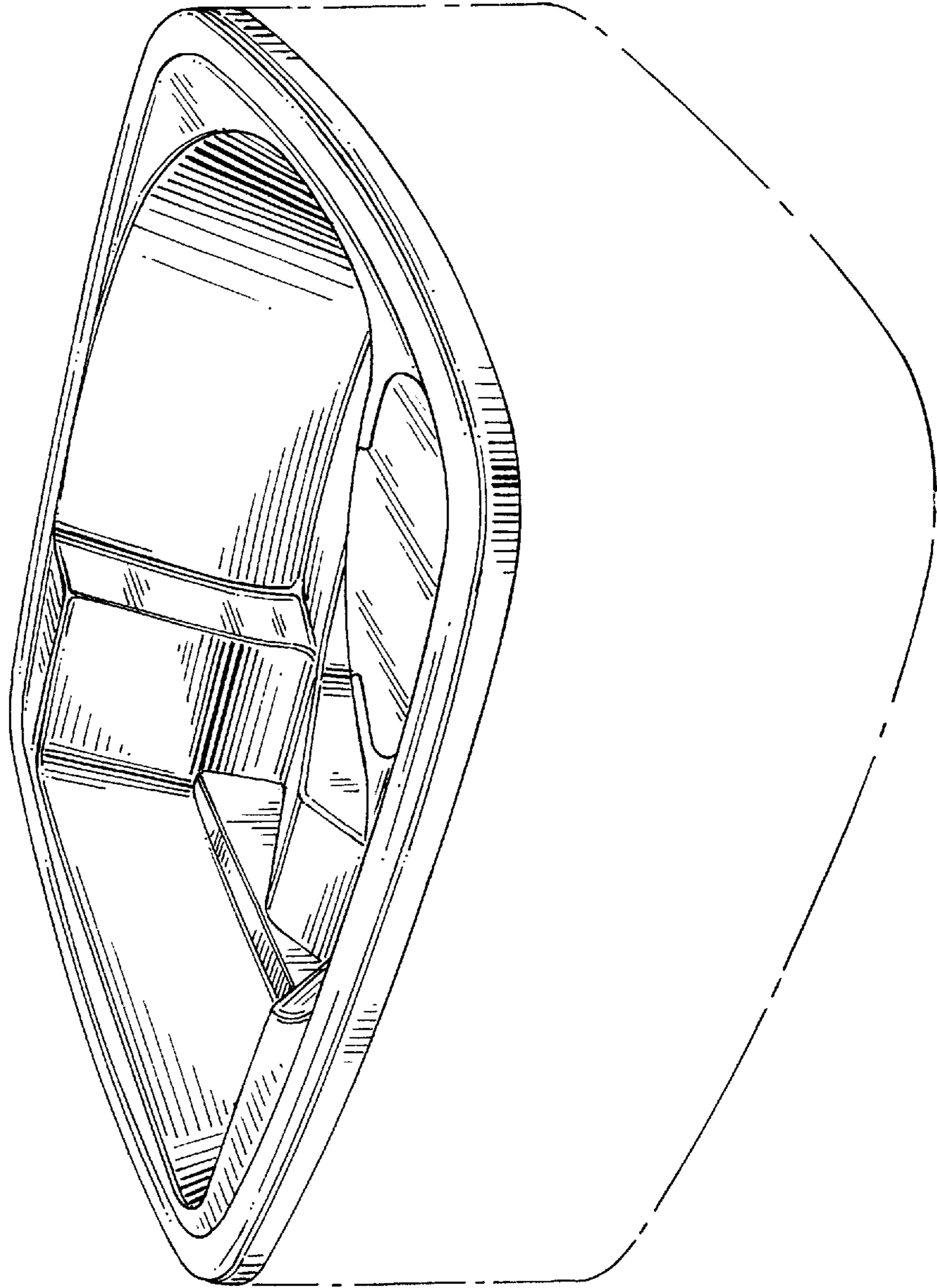


FIG. 1



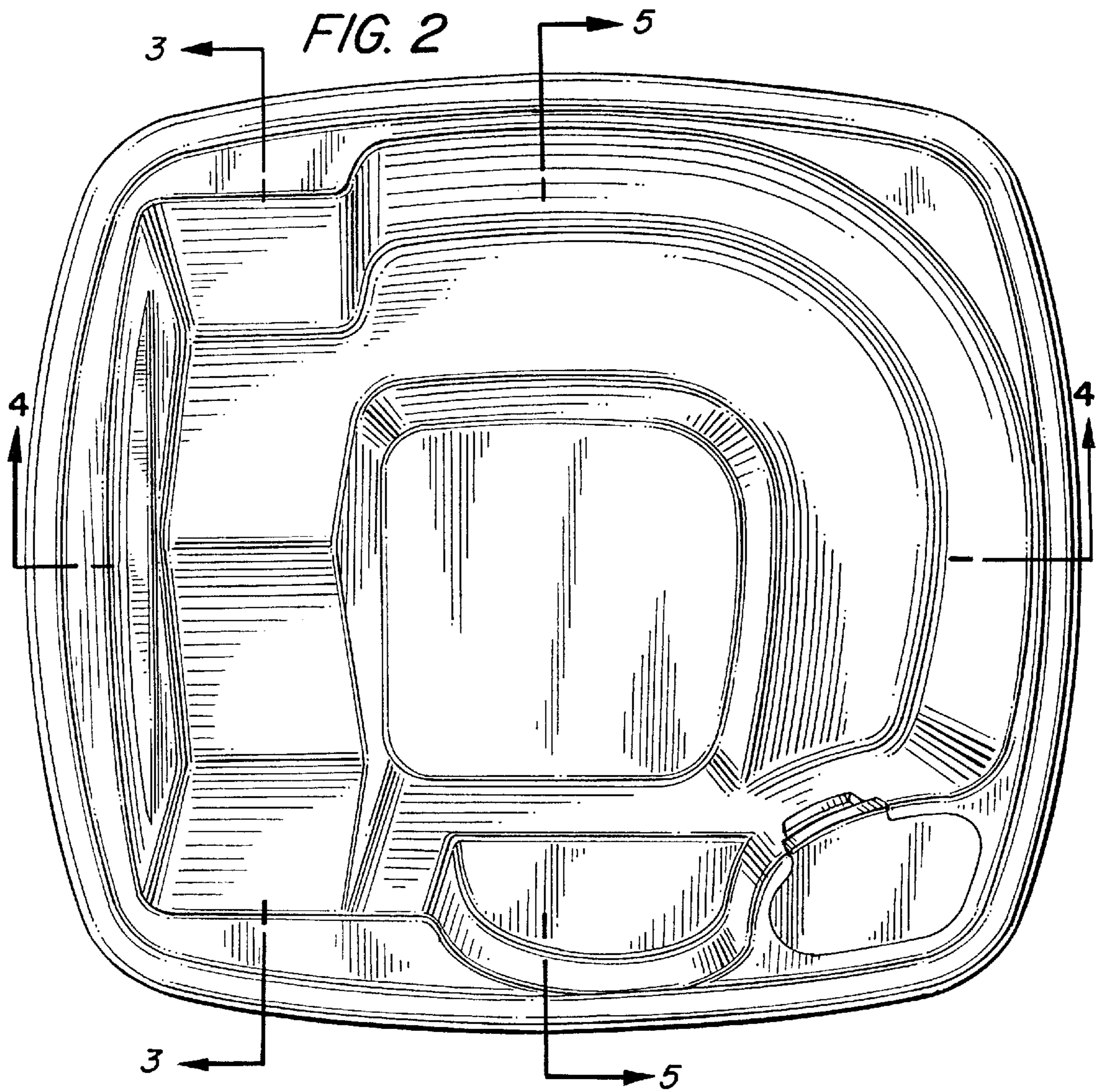


FIG. 3

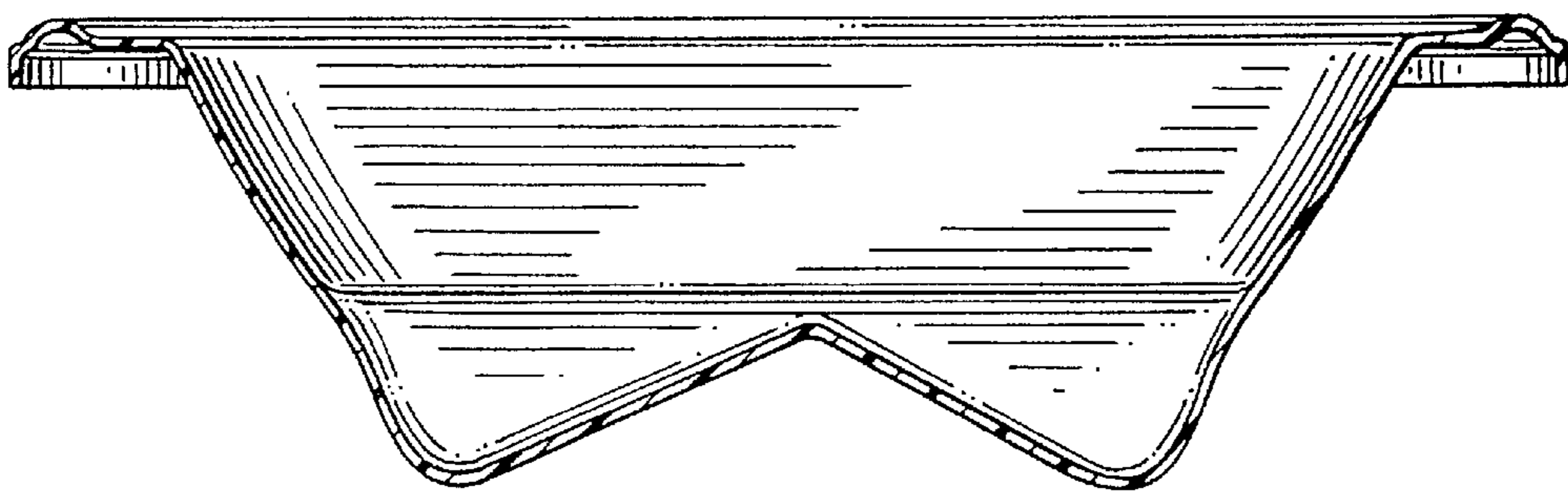


FIG. 4

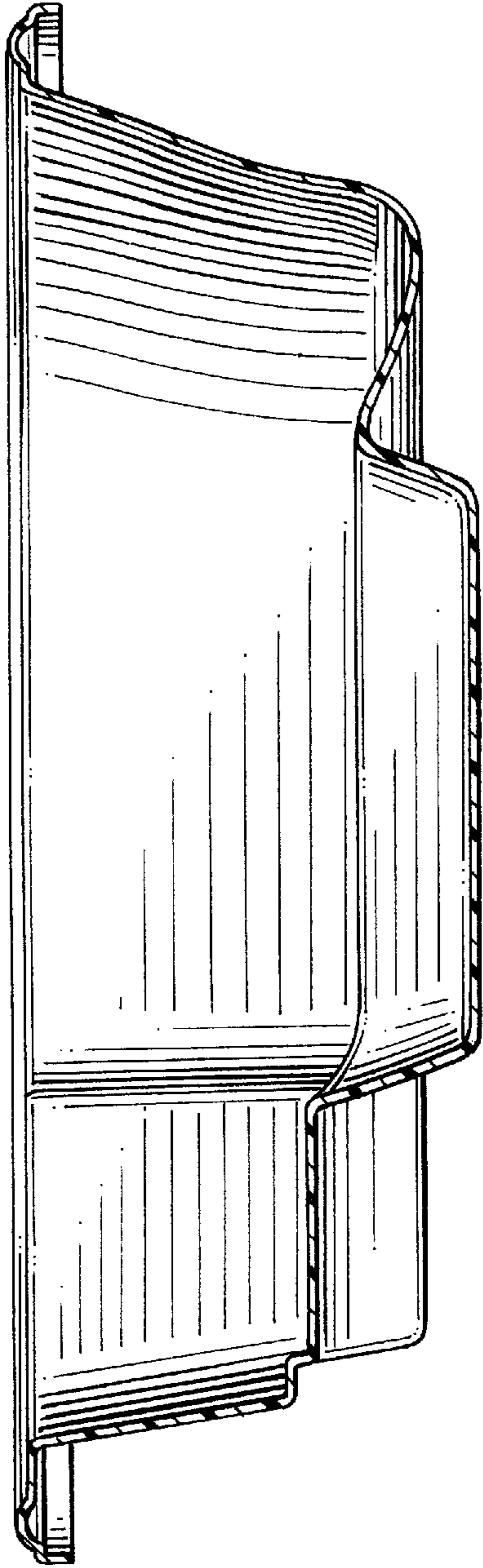


FIG. 5

