



US00D405179S

United States Patent [19]

Kirsch et al.

[11] Patent Number: Des. 405,179

[45] Date of Patent: **Feb. 2, 1999

[54] **DENTAL INSTRUMENTS**

[75] Inventors: **Axel Kirsch**, Stuttgart; **Walter Dürr**, Remchingen, both of Germany

[73] Assignee: **IMZ Fertigungs-und Dertigungs-und Vertriebsgesellschaft fur dentale Technologie mbH**, Filderstadt, Germany

[**] Term: **14 Years**

[21] Appl. No.: **48,810**

[22] Filed: **Dec. 29, 1995**

[51] **LOC (6) Cl.** **24-02**

[52] **U.S. Cl.** **D24/154; D24/152**

[58] **Field of Search** D24/152, 153, D24/154, 133; 433/3, 4, 82, 29, 141, 126, 118, 153, 154, 143, 144; D19/41, 45, 47, 49, 51, 54

[56] **References Cited**

U.S. PATENT DOCUMENTS

D. 259,660	6/1981	Soshay	D24/154
D. 336,517	6/1993	McKeown	D24/152
D. 362,067	9/1995	Chang	D24/154

Primary Examiner—Kay H. Chin
Attorney, Agent, or Firm—Hill & Simpson

[57] **CLAIM**

The ornamental design for dental instruments, as shown and described.

DESCRIPTION

FIG. 1 is a top perspective view of a first embodiment of the dental instruments showing our new design;
FIG. 2 is a fragmentary left end portion of FIG. 1;
FIG. 3 is a bottom view of the fragmentary right end portion of FIG. 1;

FIG. 4 is a top perspective view of a second embodiment of the dental instrument;

FIG. 5 is a bottom view of the fragmentary left end portion of FIG. 4;

FIG. 6 is a fragmentary right end portion of FIG. 4;

FIG. 7 is a top perspective view of a third embodiment of the dental instrument;

FIG. 8 is a bottom view of the fragmentary left end portion of FIG. 7;

FIG. 9 is a fragmentary right end portion of FIG. 7;

FIG. 10 is a top perspective view of a fourth embodiment of the dental instrument;

FIG. 11 is a bottom view of the fragmentary left end portion of FIG. 10;

FIG. 12 is a fragmentary right end portion of FIG. 10;

FIG. 13 is a top perspective view of a fifth embodiment of the dental instrument;

FIG. 14 is a bottom view of the fragmentary left end portion of FIG. 13;

FIG. 15 is a fragmentary right end portion of FIG. 13;

FIG. 16 is a top perspective view of a sixth embodiment of the dental instrument;

FIG. 17 is a bottom view of the fragmentary left end portion of FIG. 16;

FIG. 18 is a fragmentary right end portion of FIG. 16;

FIG. 19 is a top perspective view of a seventh embodiment of the dental instrument;

FIG. 20 is a bottom view of the fragmentary left end portion of FIG. 19;

FIG. 21 is a bottom view of the fragmentary right end portion of FIG. 19;

FIG. 22 is a top perspective view of a eighth embodiment of the dental instrument;

FIG. 23 is a bottom view of the fragmentary left end portion of FIG. 22; and,

FIG. 24 is a bottom view of the fragmentary right end portion of FIG. 22.

1 Claim, 8 Drawing Sheets



FIG. 2

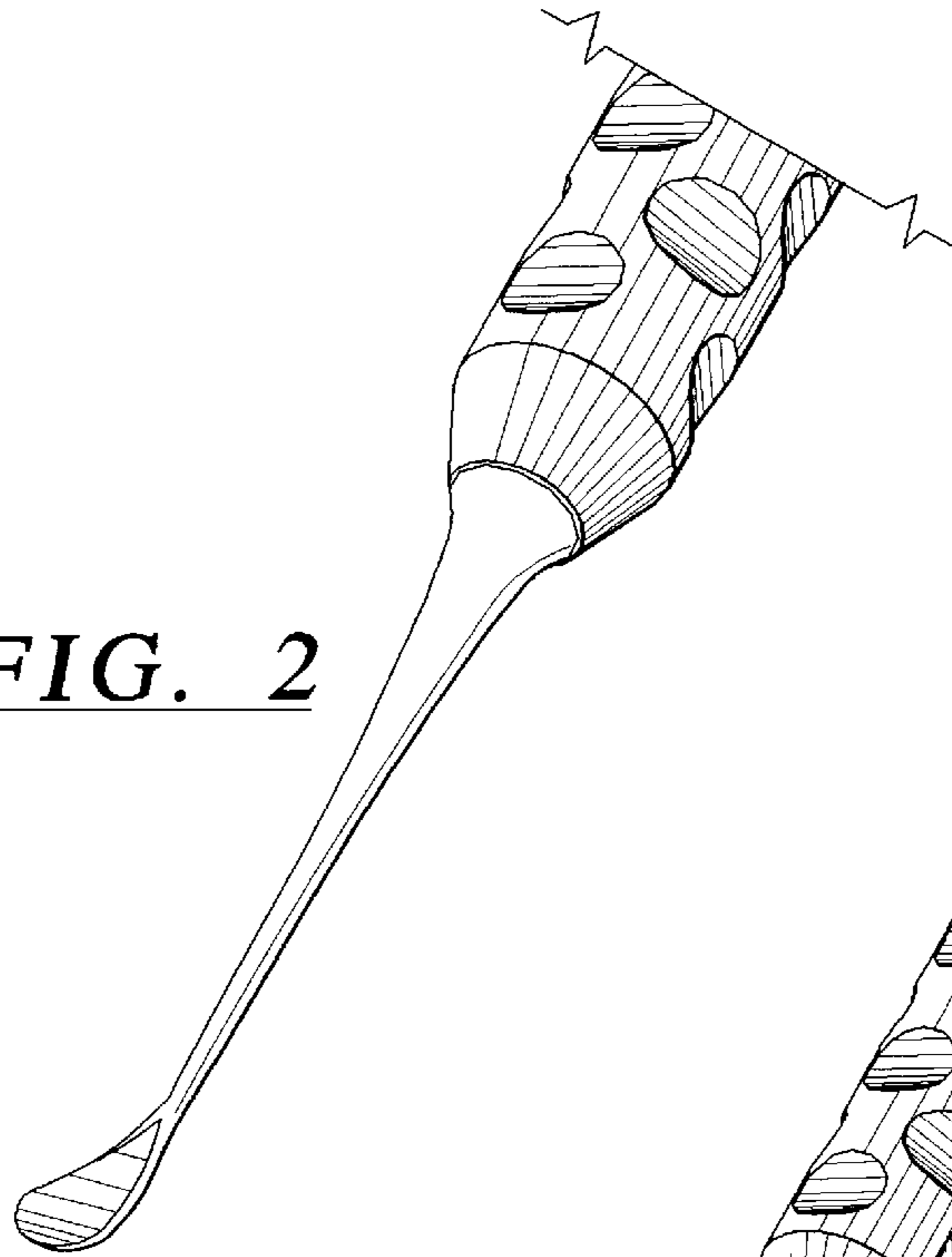


FIG. 1

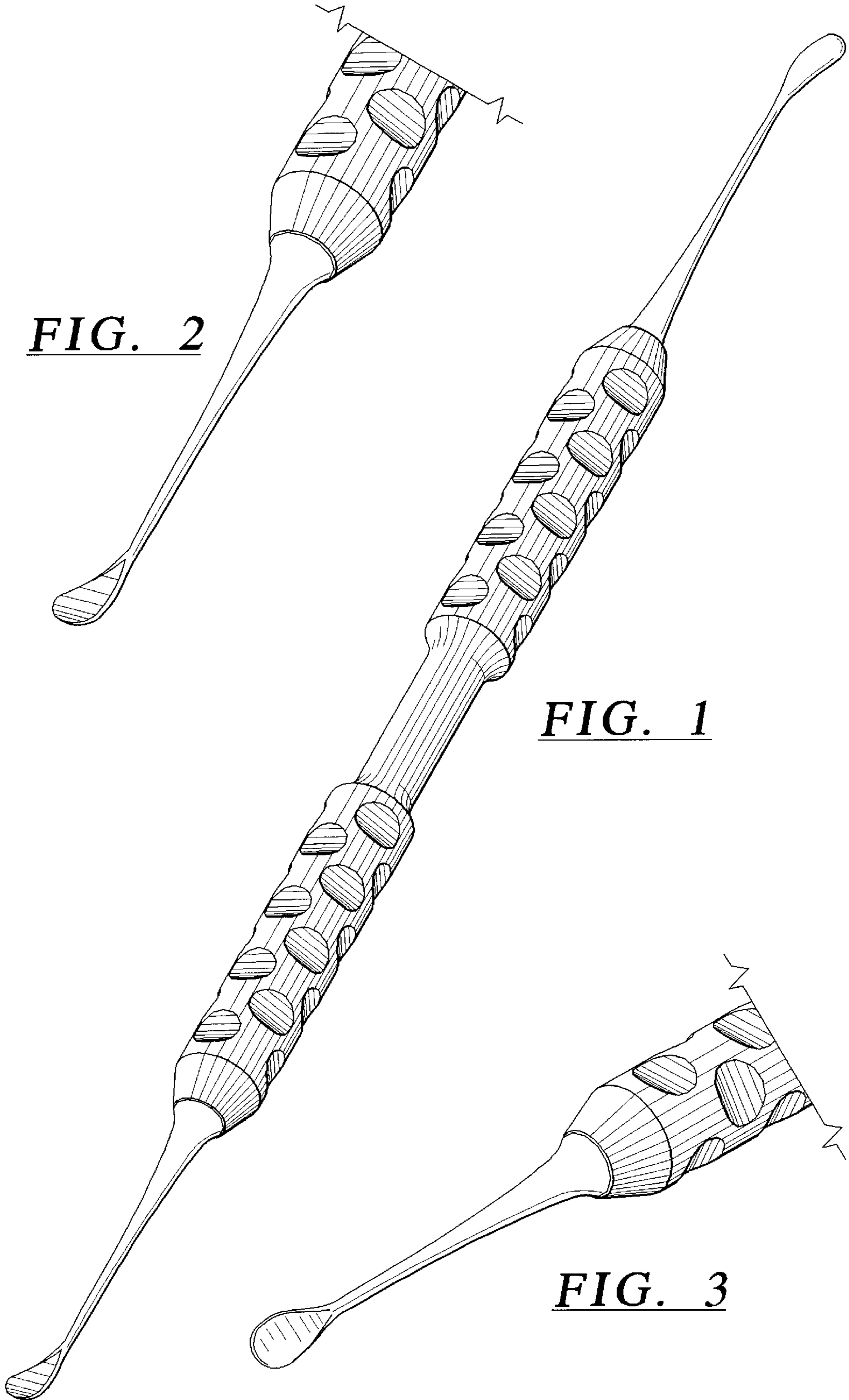
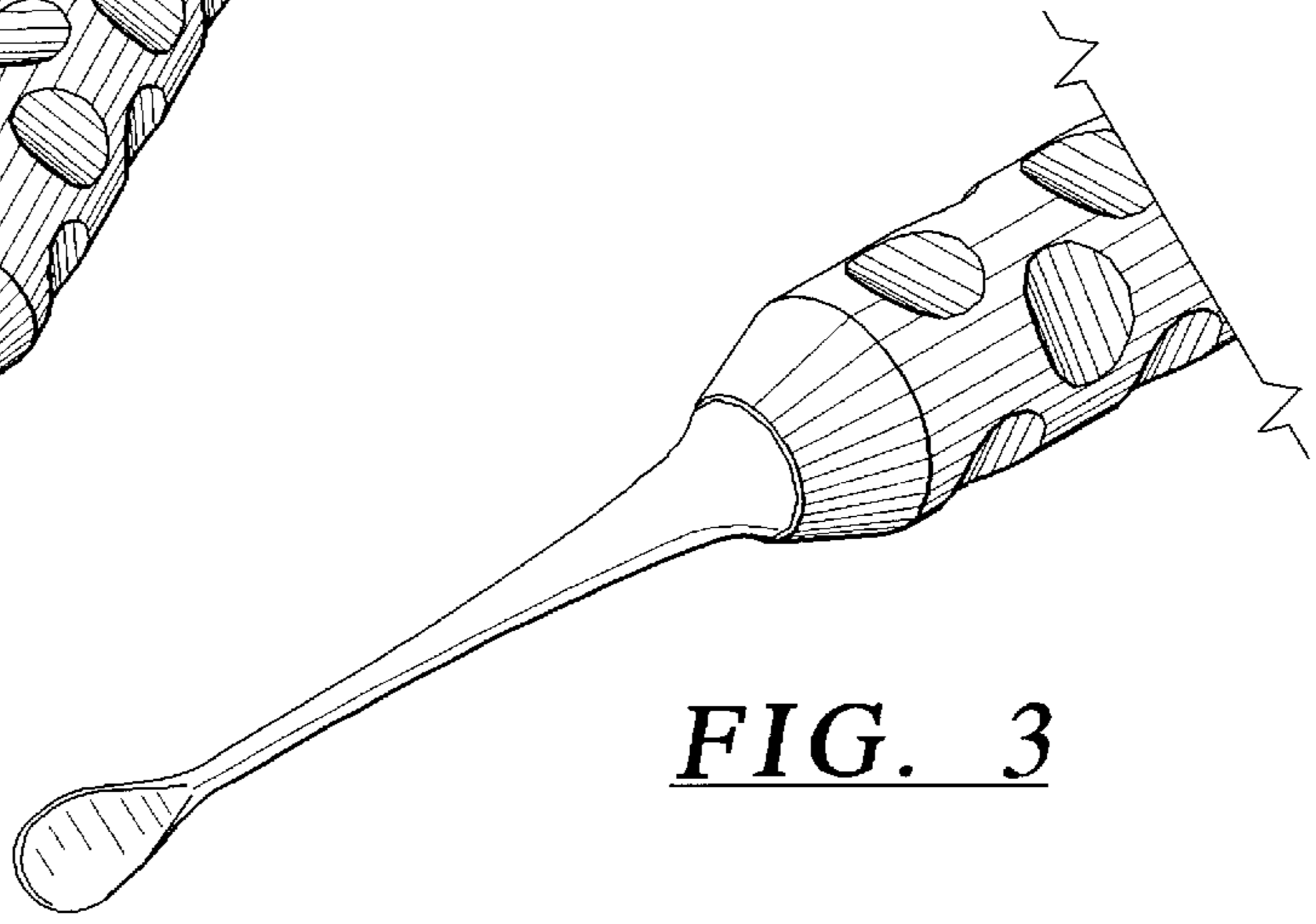
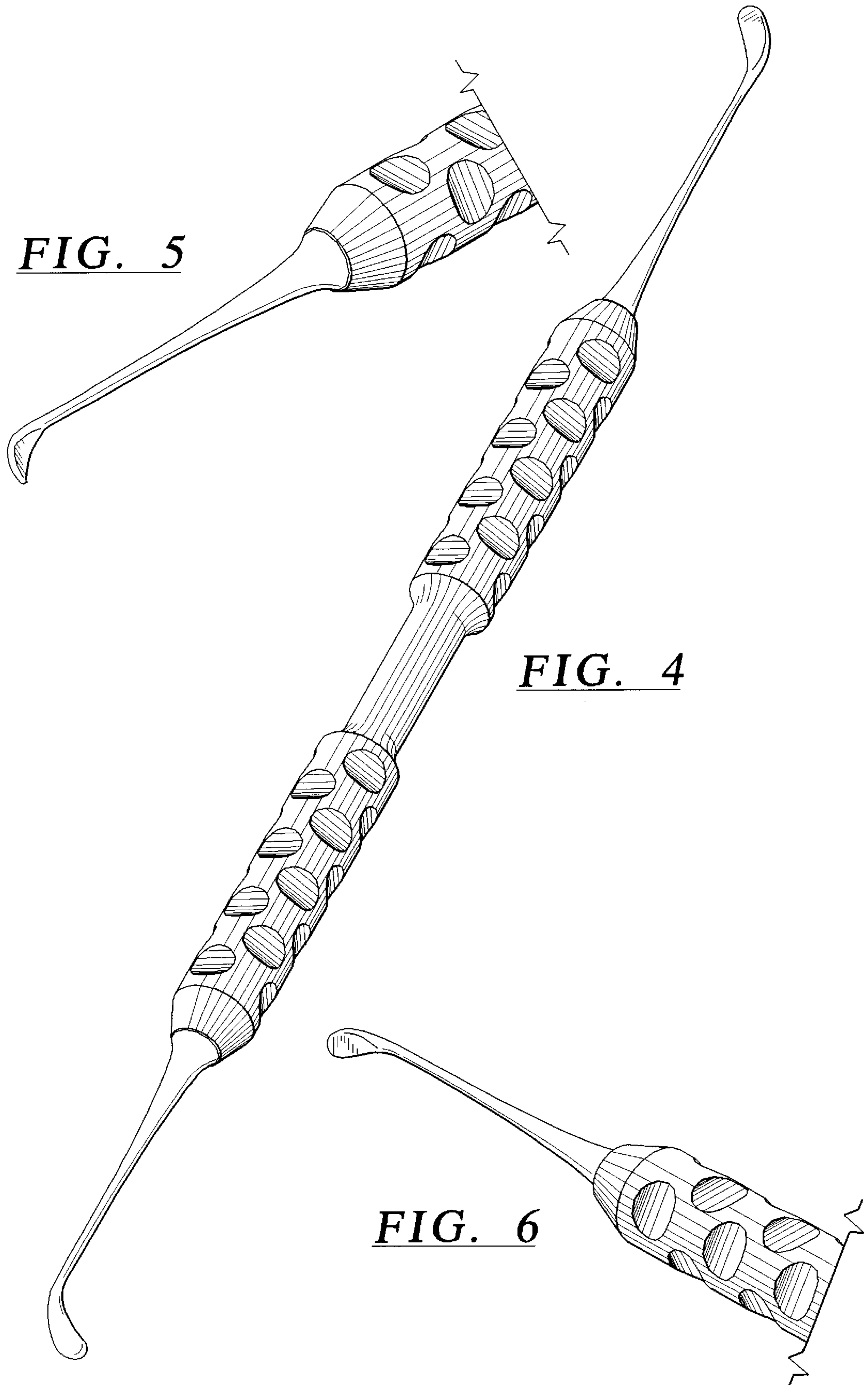


FIG. 3





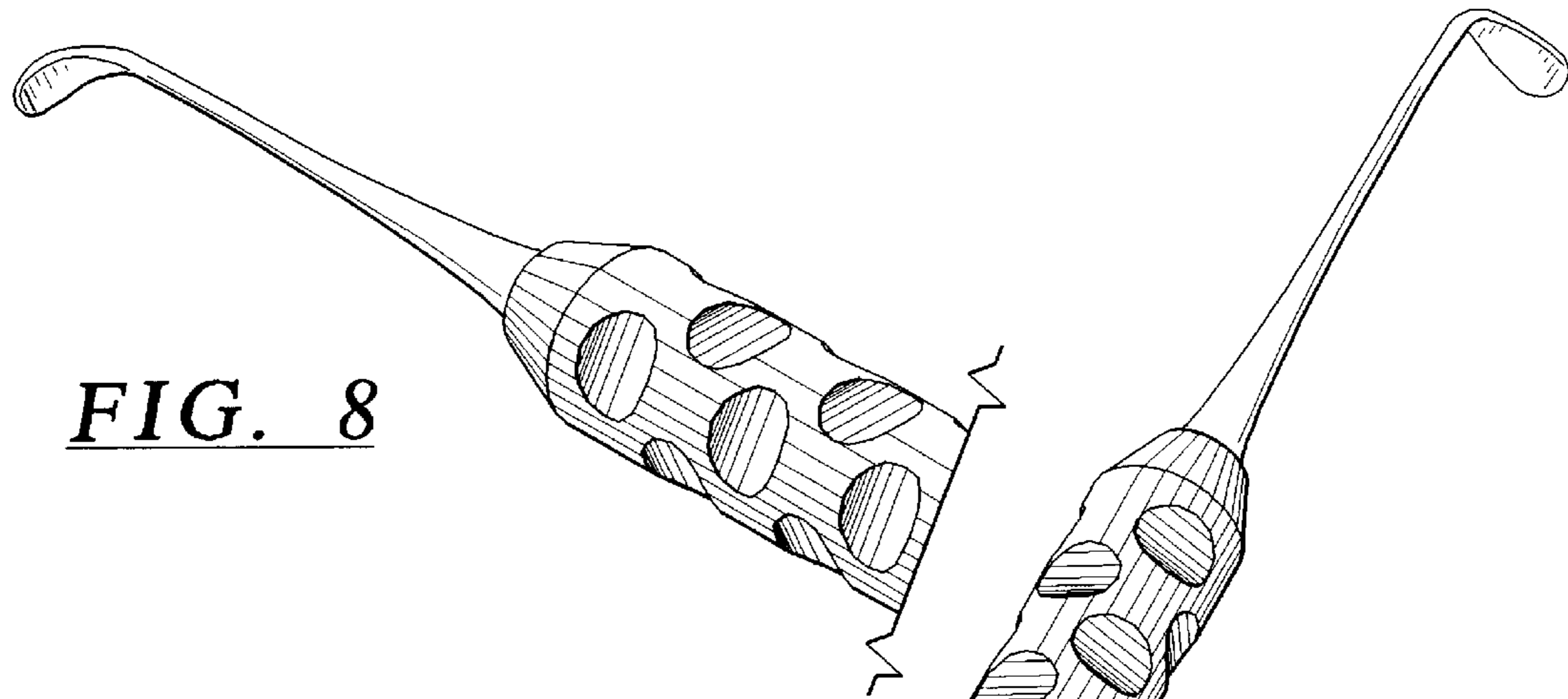


FIG. 8

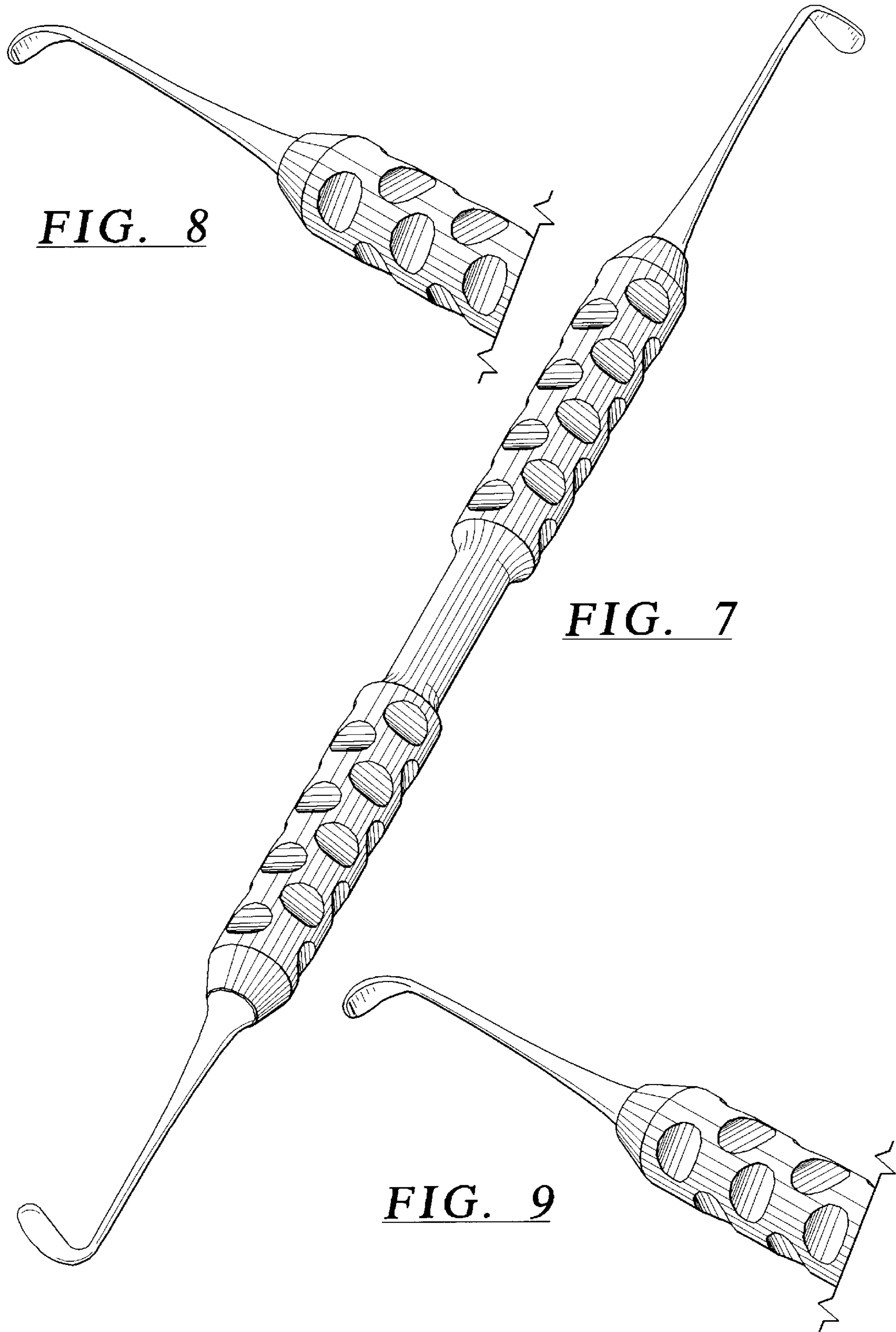


FIG. 7

FIG. 9

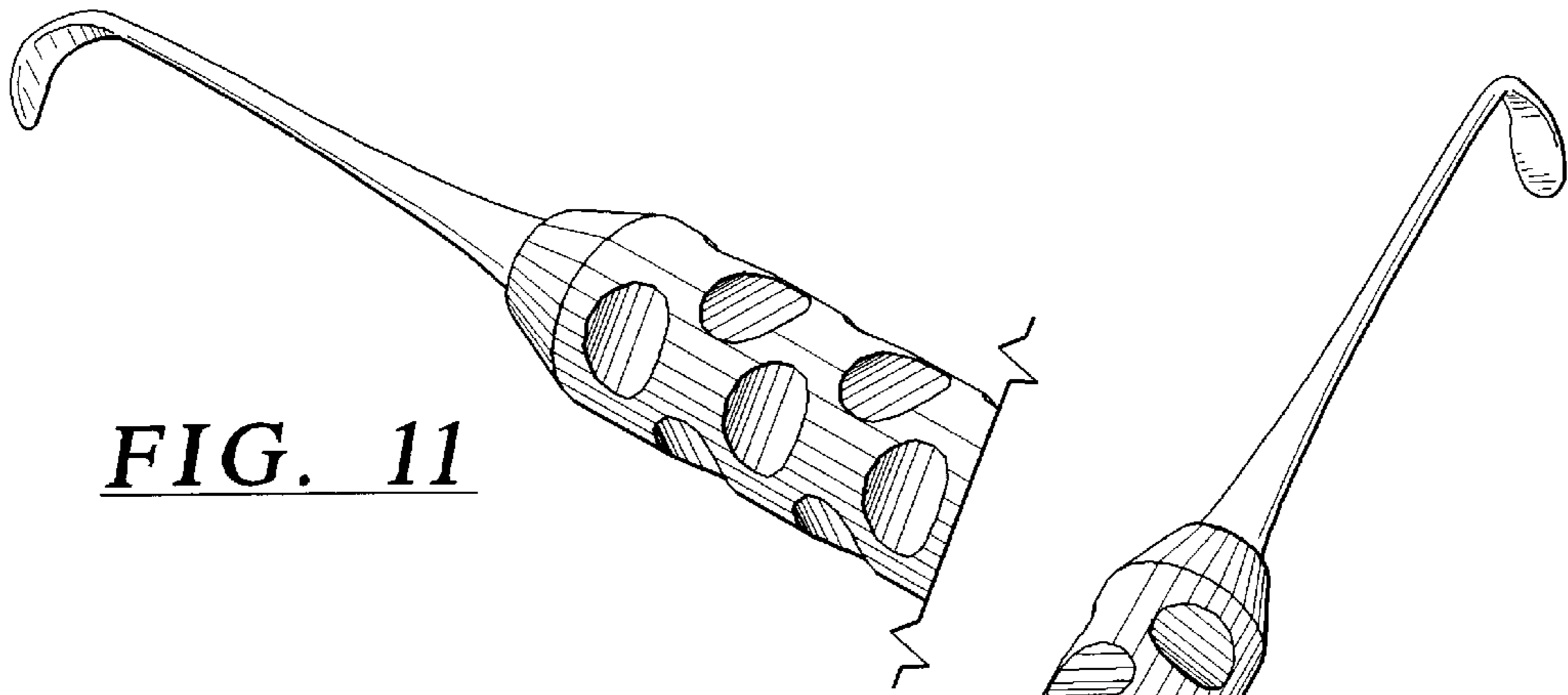


FIG. 11

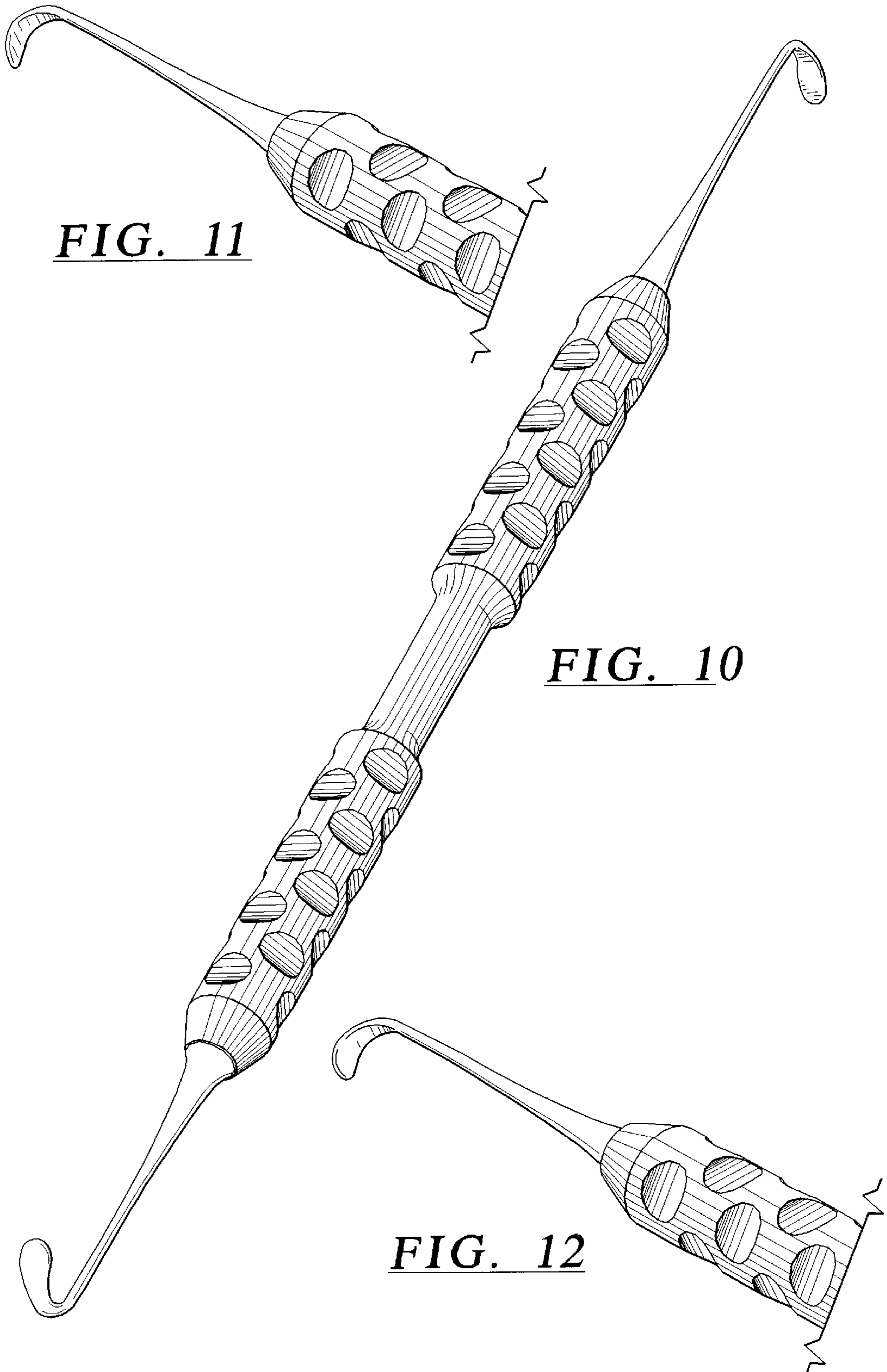


FIG. 10

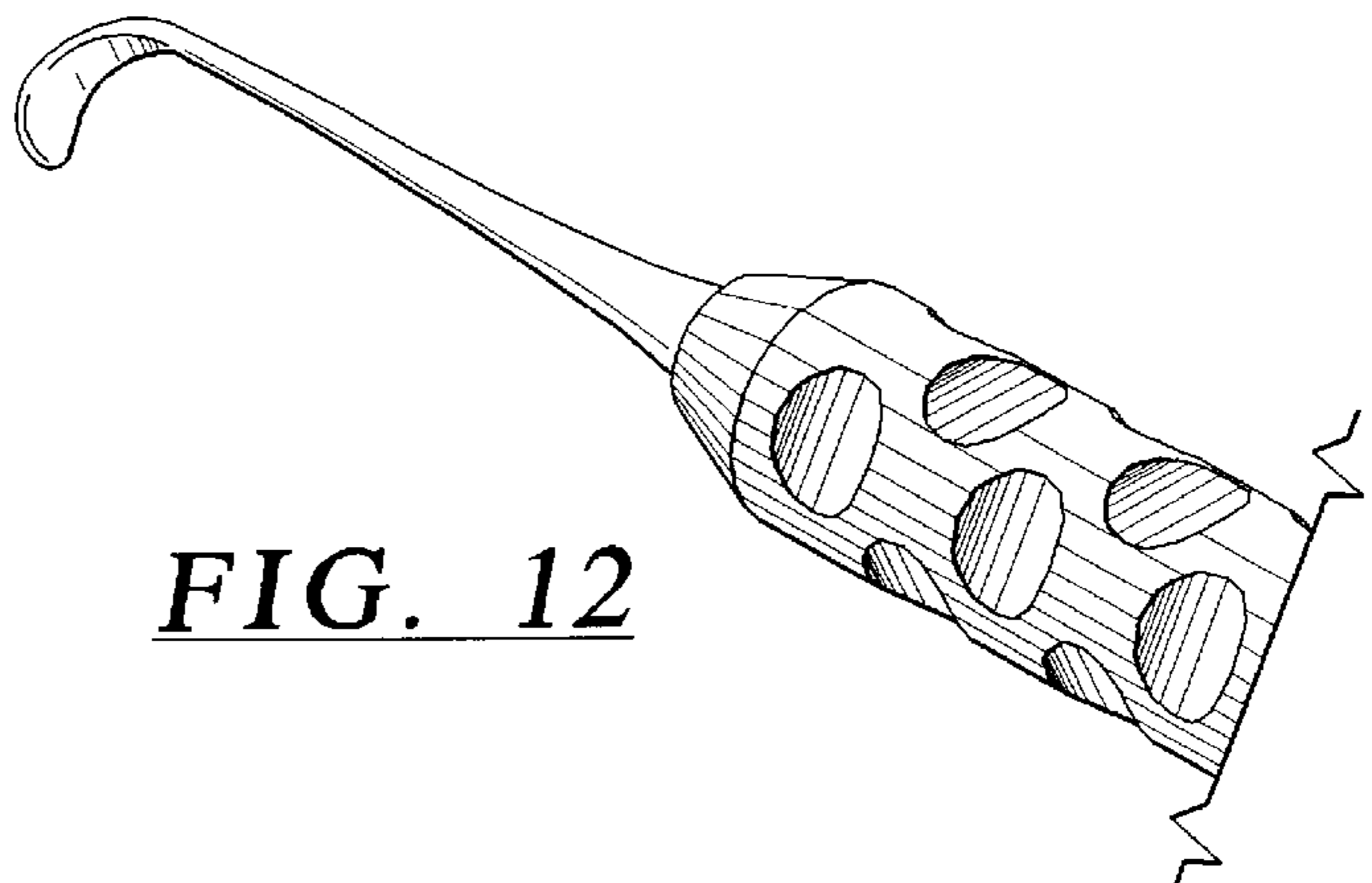


FIG. 12

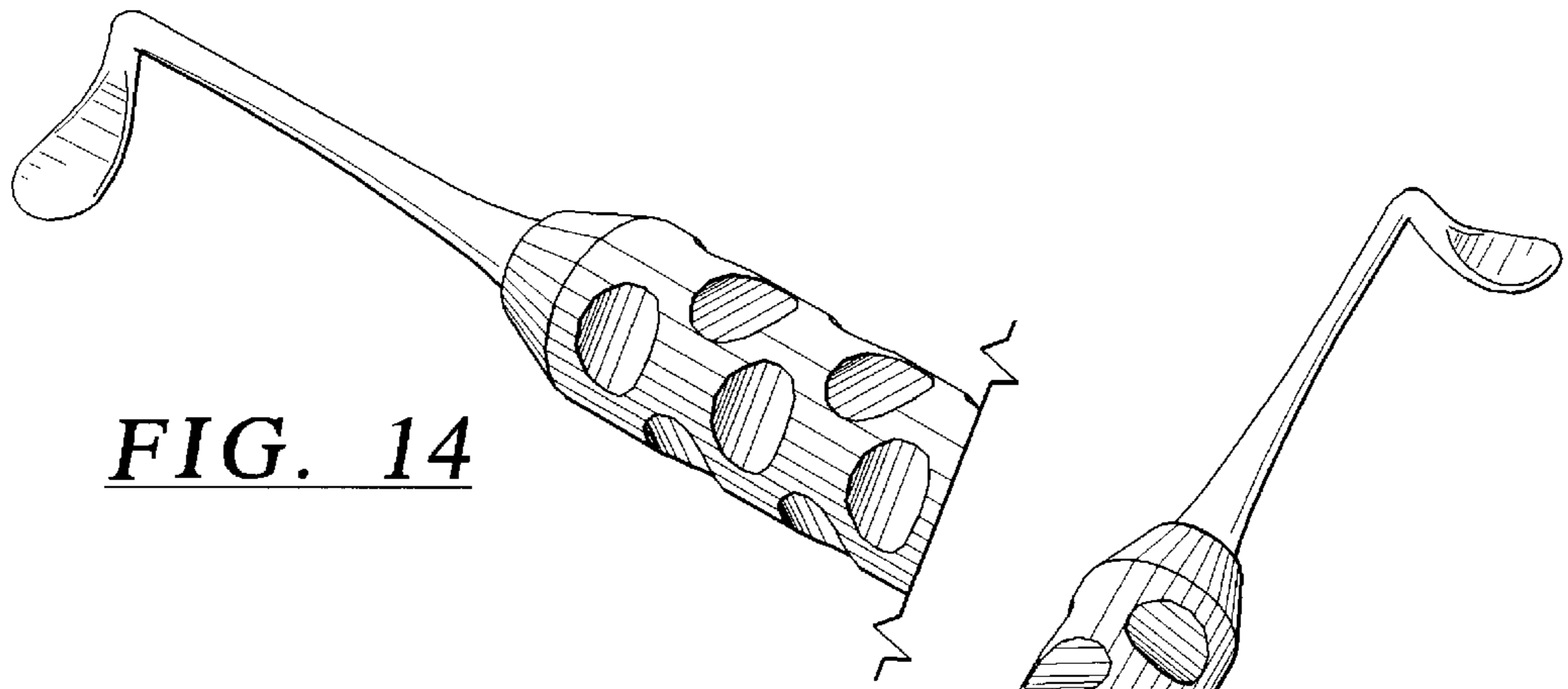


FIG. 14

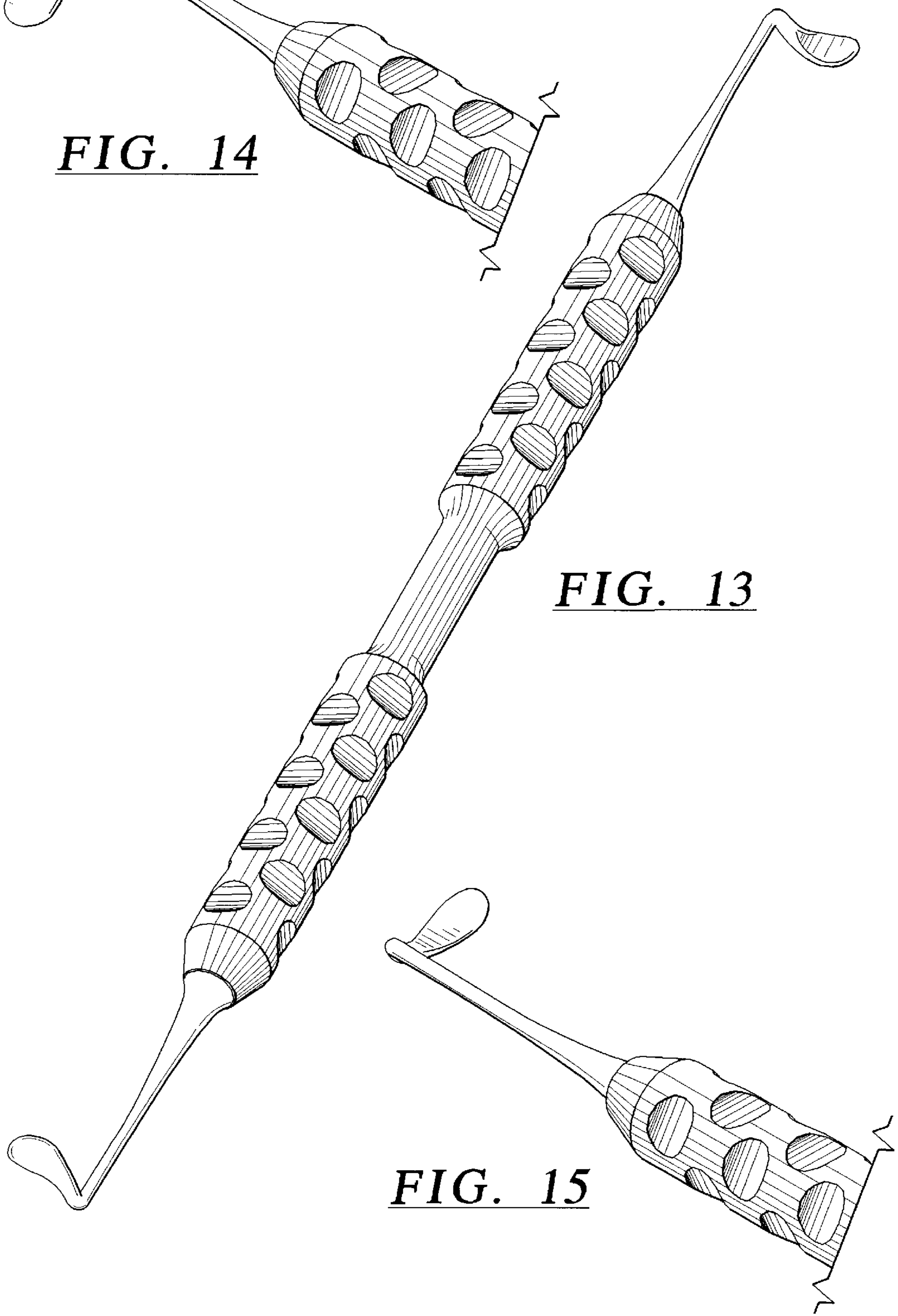


FIG. 13

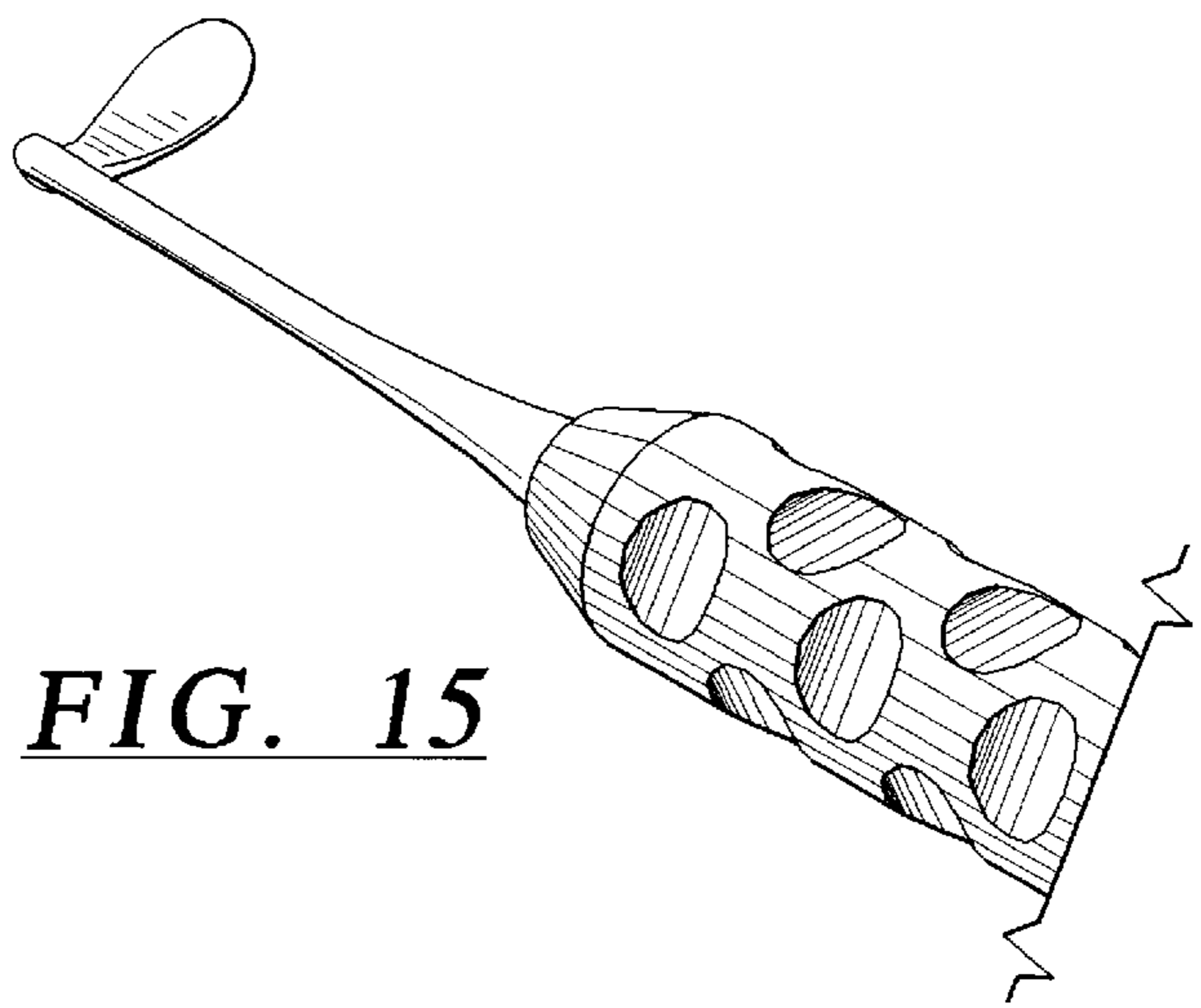


FIG. 15

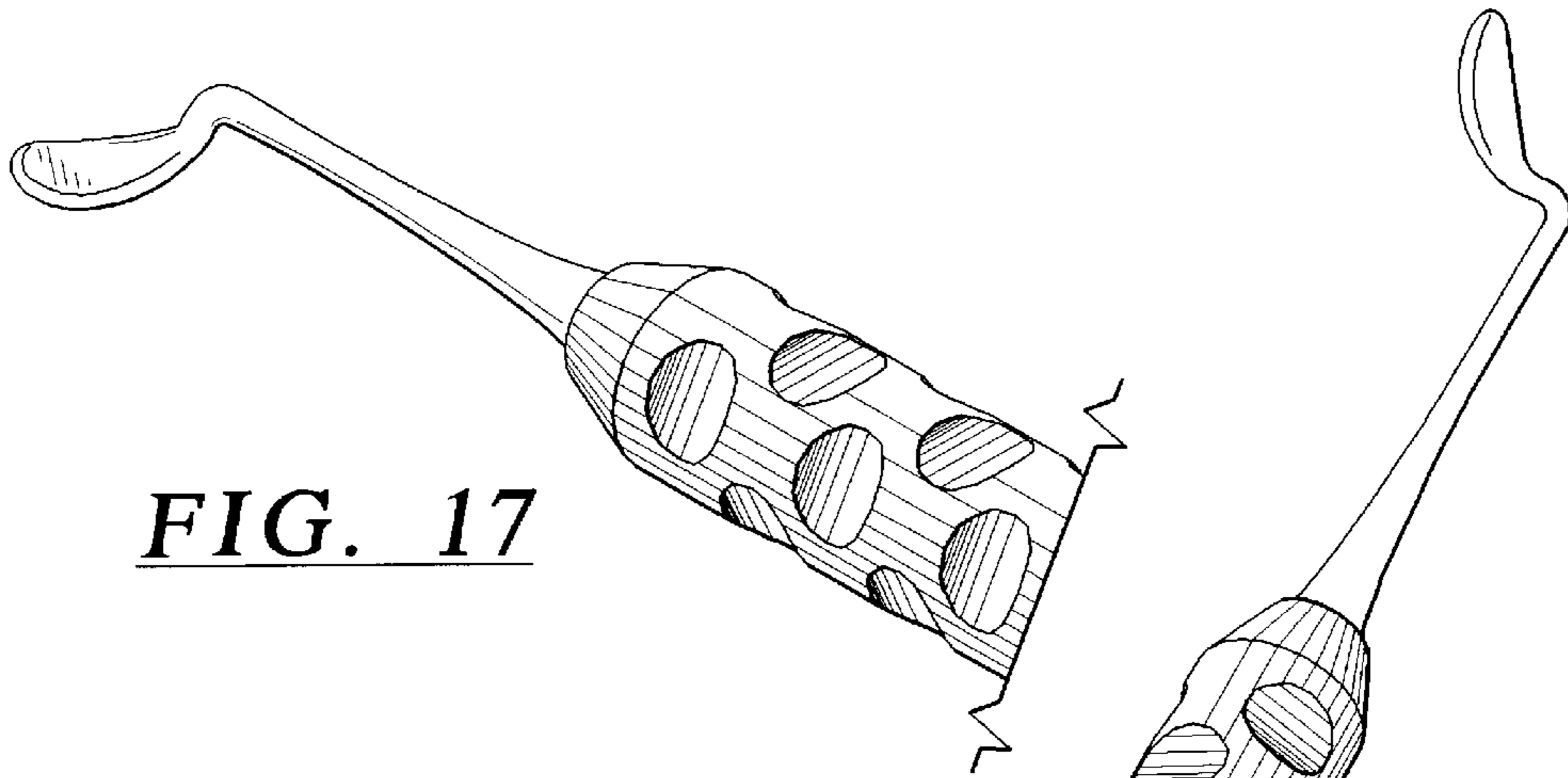


FIG. 17

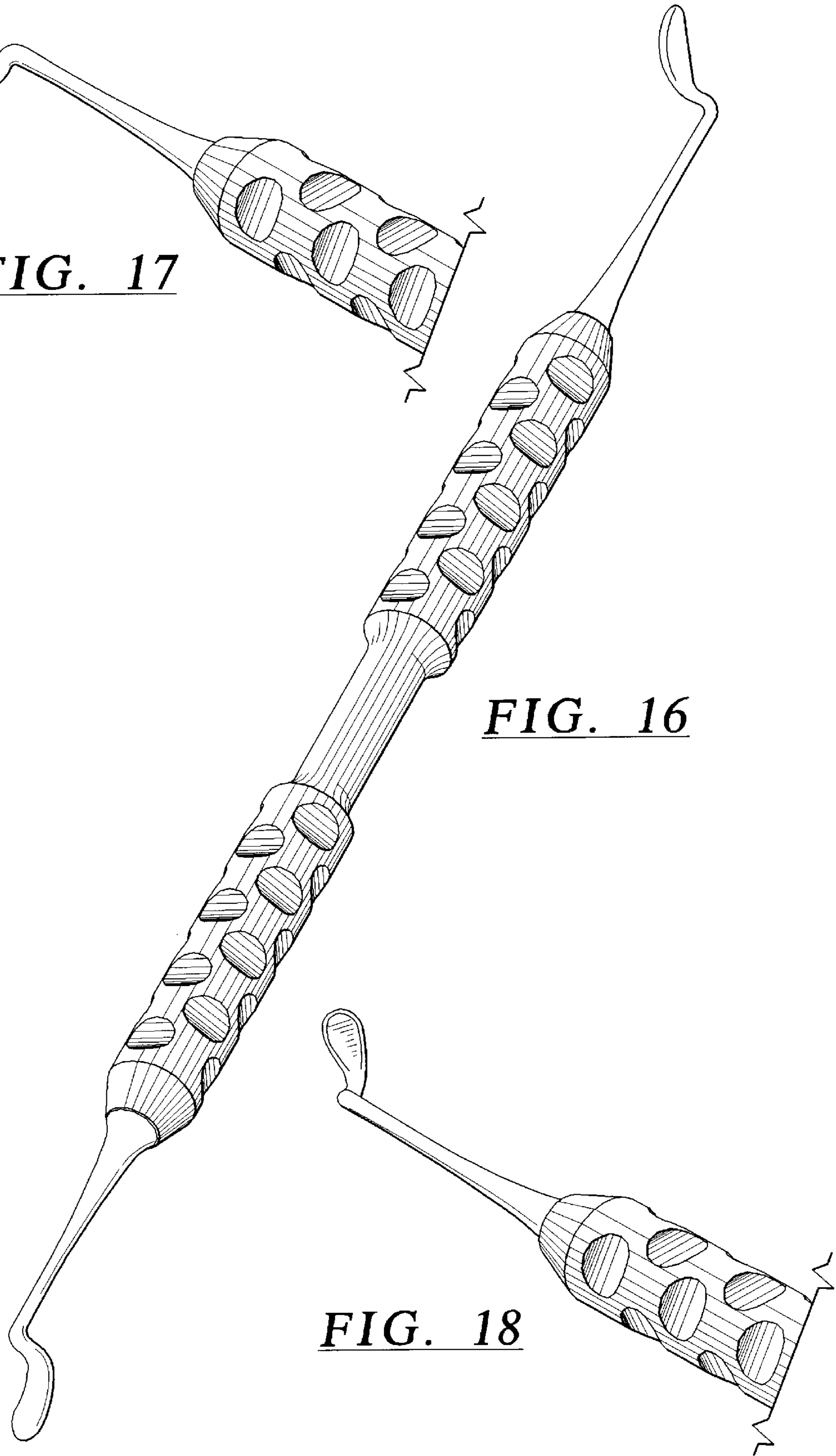


FIG. 16

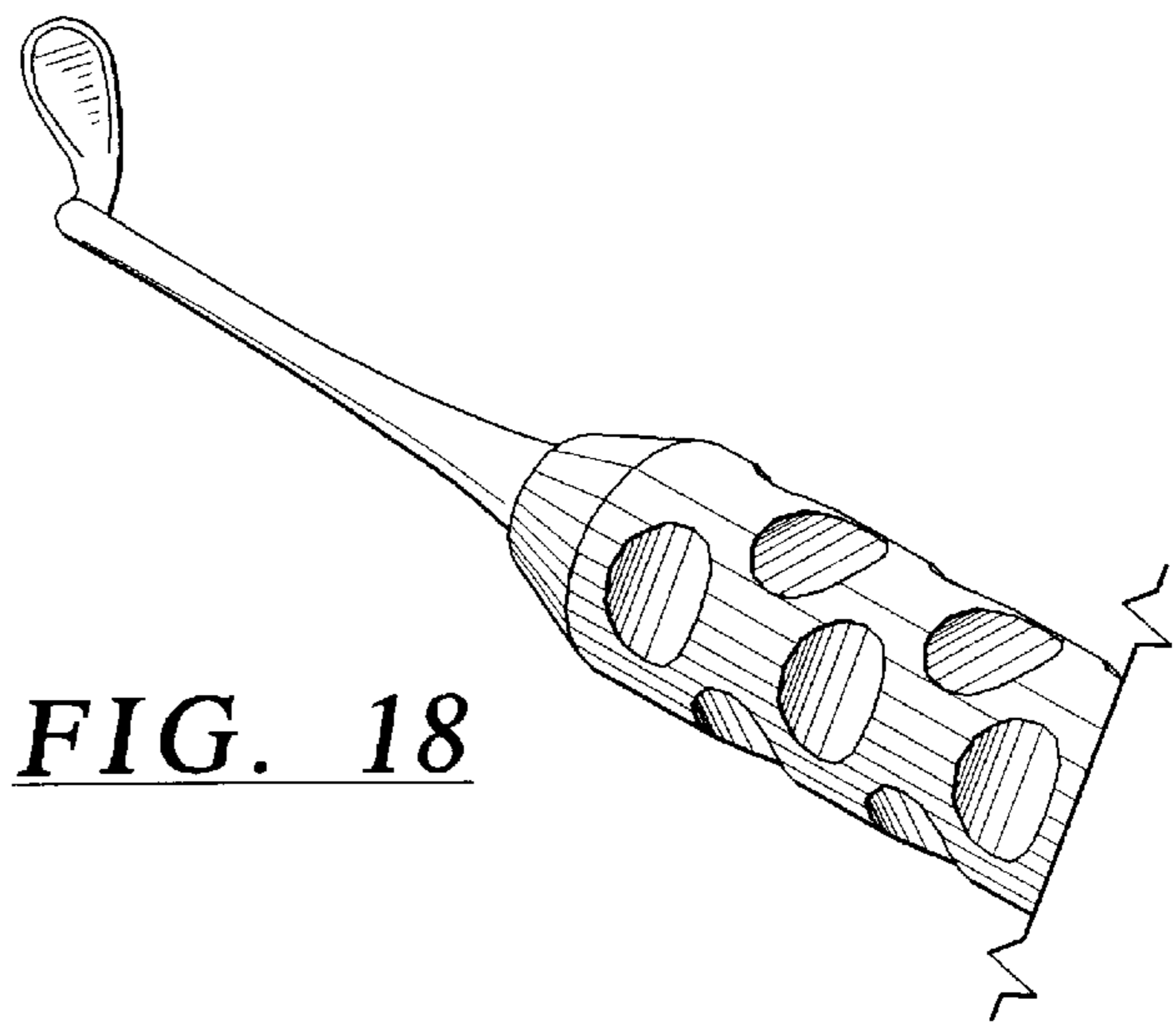


FIG. 18

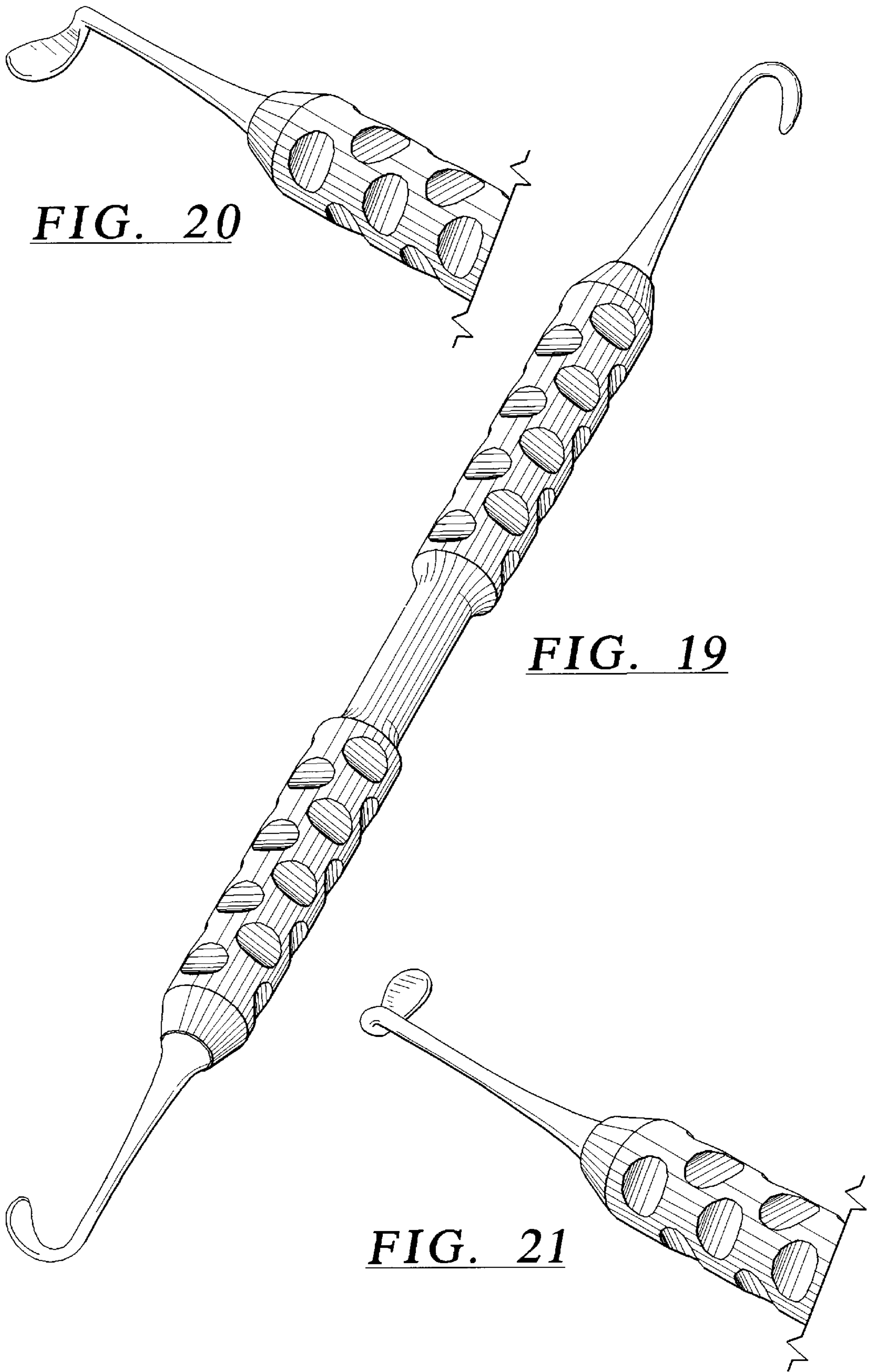


FIG. 20

FIG. 19

FIG. 21

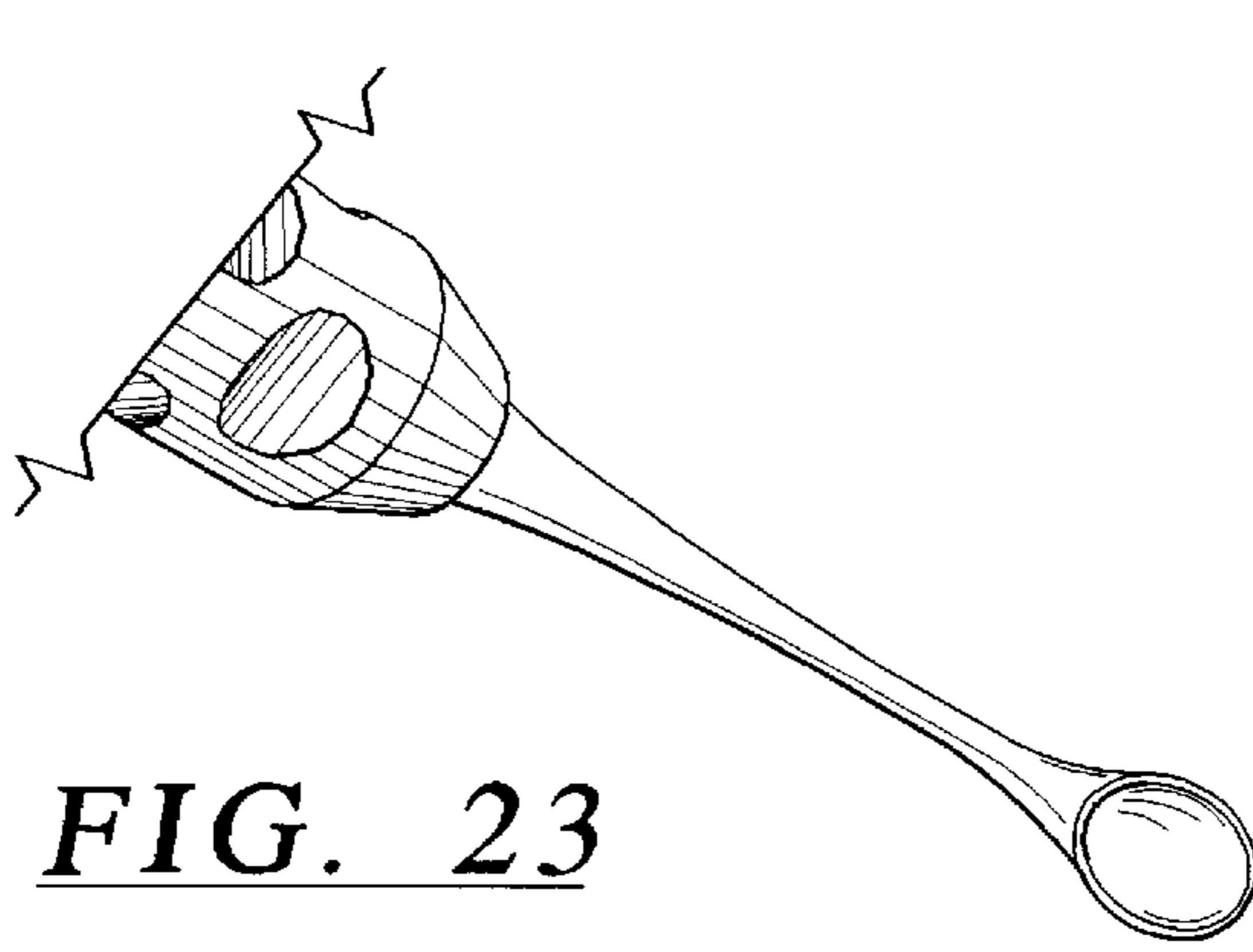


FIG. 23

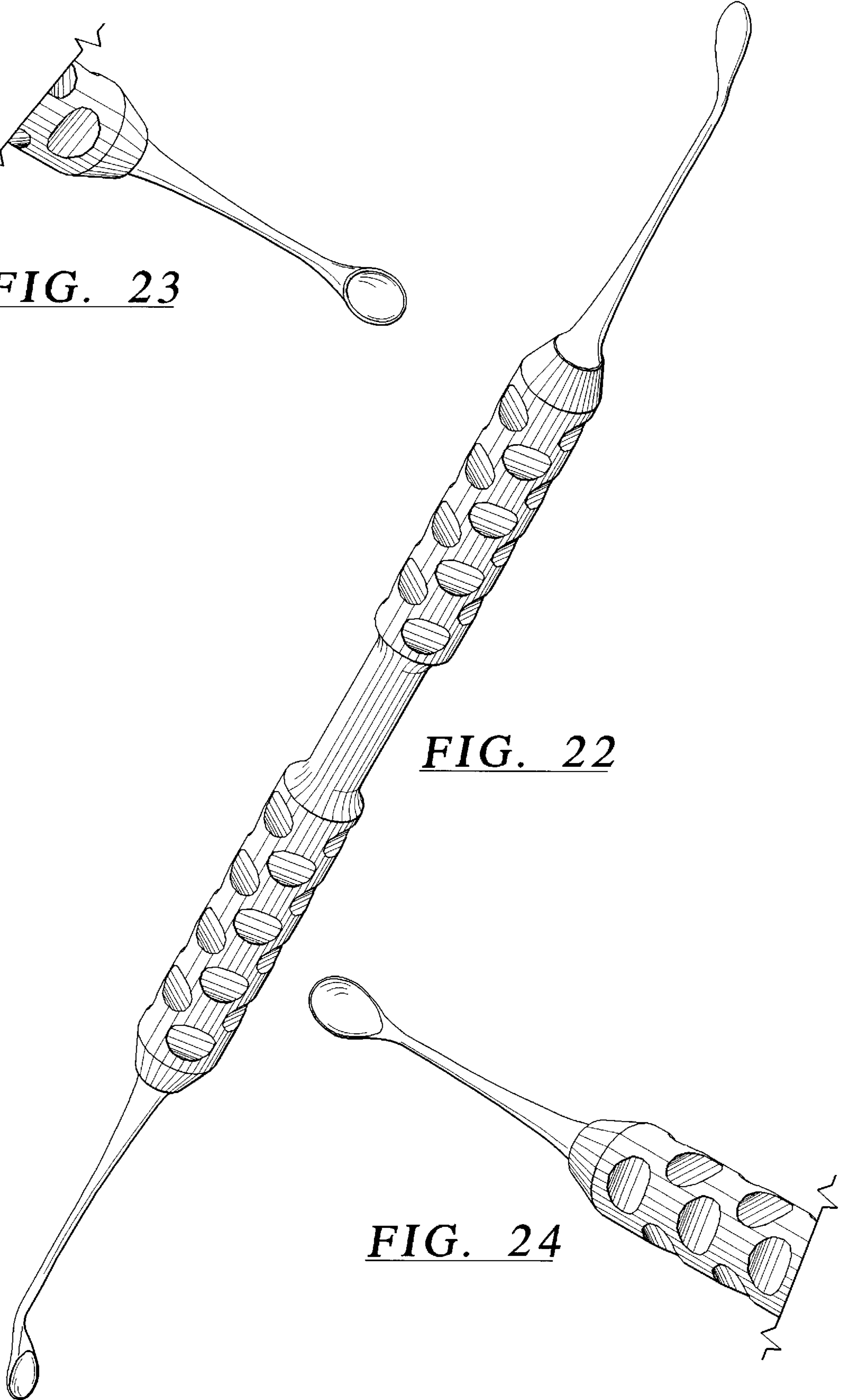


FIG. 22

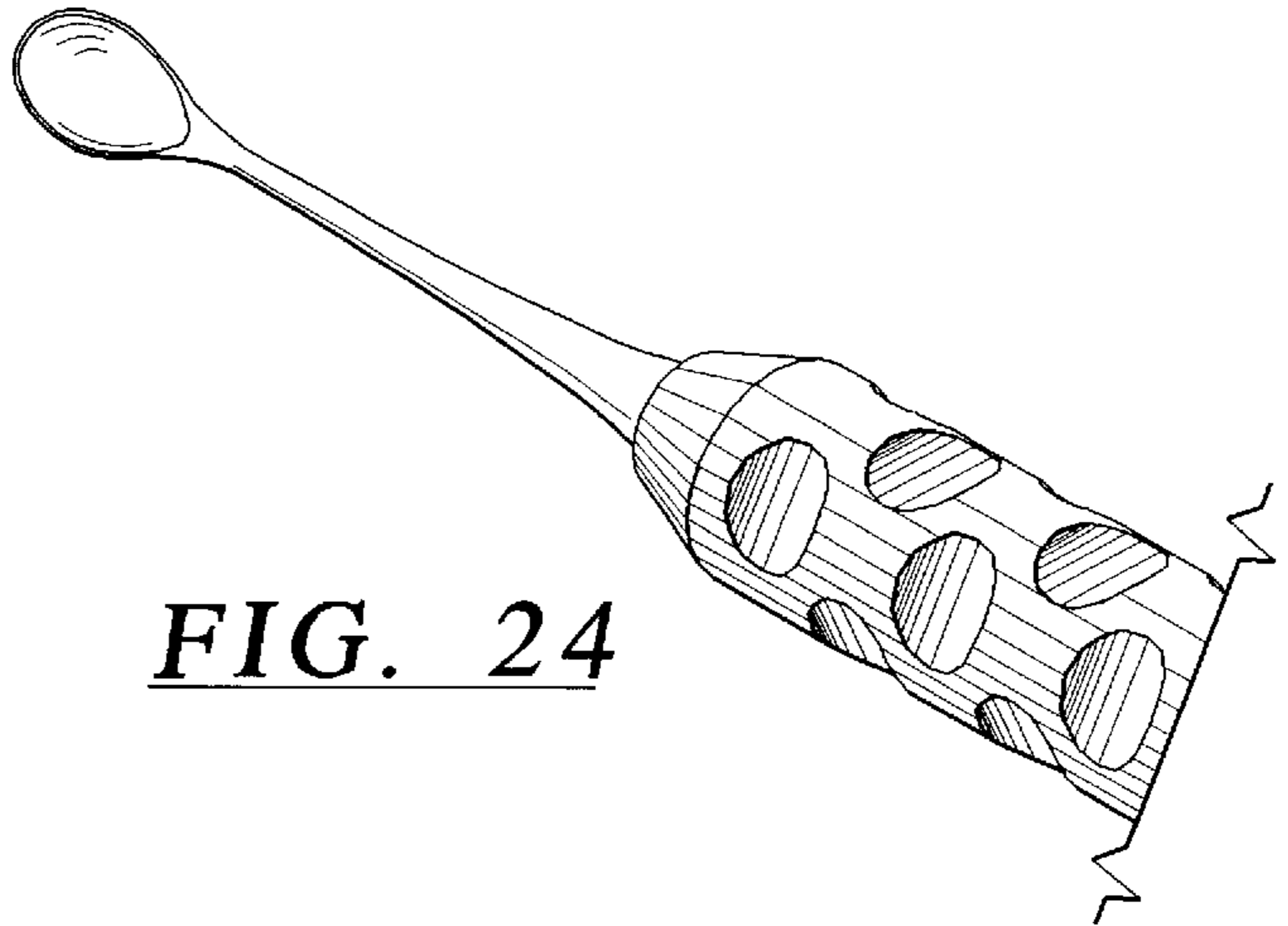


FIG. 24