

US00D405174S

United States Patent [19] Rogler

[11] **Patent Number: Des. 405,174**

[45] **Date of Patent: **Feb. 2, 1999**

[54] **MEDICAL MEASURING MODULE USED TO ACCUMULATE PATIENT DATA**

[75] Inventor: **Dietrich Rogler**, Horb, Germany

[73] Assignee: **Hewlett-Packard Company**, Palo Alto, Calif.

[**] Term: **14 Years**

[21] Appl. No.: **67,765**

[22] Filed: **Mar. 3, 1997**

[30] Foreign Application Priority Data

Sep. 10, 1996 [DE] Germany 96 07 775.1

[51] **LOC (6) Cl.** **10-04**

[52] **U.S. Cl.** **D24/107; D24/186**

[58] **Field of Search** D24/165, 107, D24/186, 169; 128/721, 712, 710, 700, 668, 696, 770, 771, 635, 763, 765, 630, 633, 679; 422/68.1, 102, 56, 58, 61; 364/413.01, 413.02

[56] References Cited

U.S. PATENT DOCUMENTS

D. 298,455 11/1988 Giove D24/186

D. 351,469 10/1994 Okamoto et al. D24/186 X
D. 351,910 10/1994 Anderson et al. D24/169
D. 369,864 5/1996 Petersen D24/169
D. 371,198 6/1996 Savage et al. D24/169
4,301,412 11/1981 Hill et al. 128/637
5,279,294 1/1994 Anderson et al. 128/633

Primary Examiner—Pamela Burgess

[57] CLAIM

I claim the ornamental design for a medical measuring module used to accumulate patient data, as shown and described.

DESCRIPTION

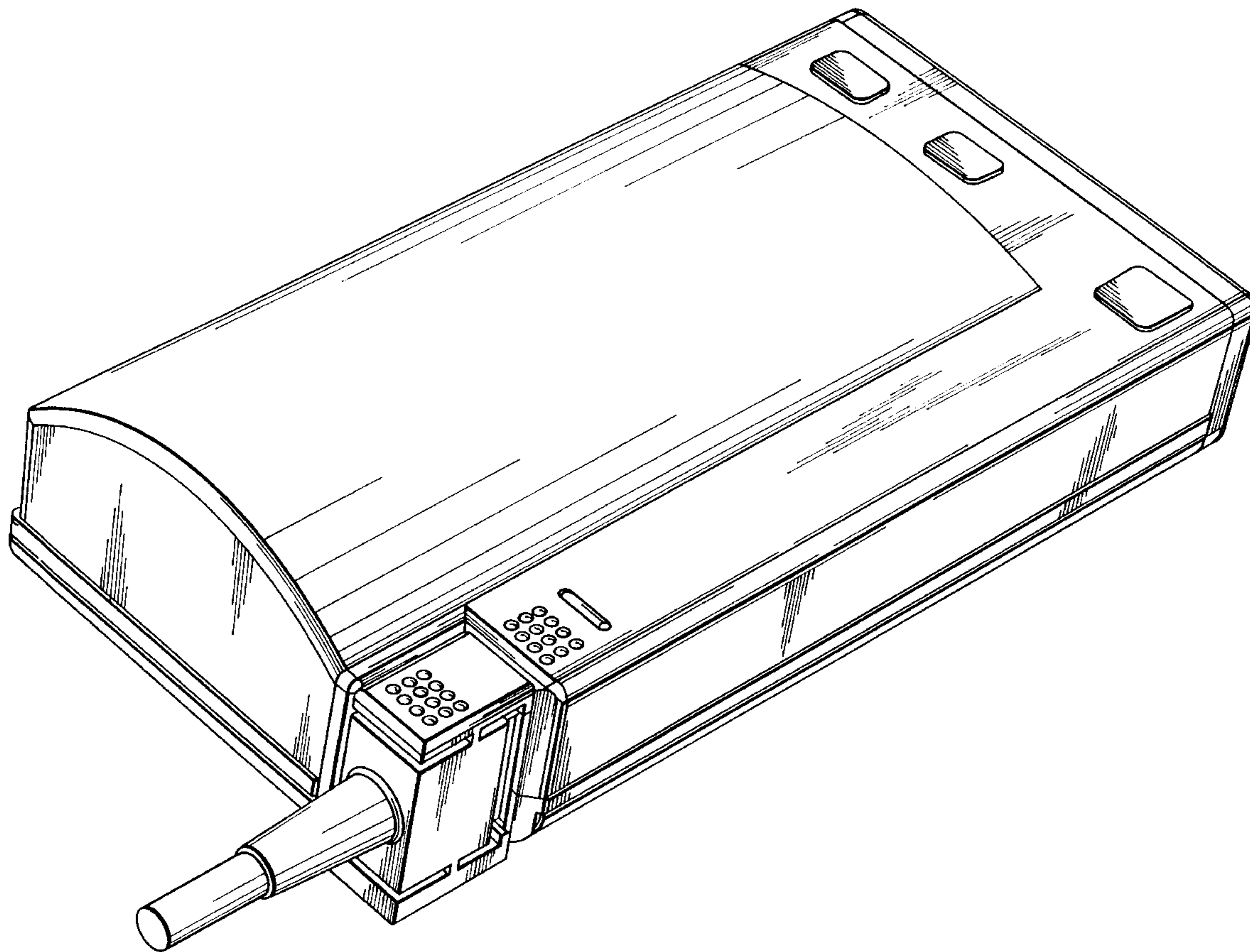
FIG. 1 is a top perspective view of a medical measuring module used to accumulate patient data showing my new design;

FIG. 2 is a bottom perspective view of a medical measuring module used to accumulate patient data showing my new design; and,

FIG. 3 is a rear perspective view of a medical measuring module used to accumulate patient data showing my new design.

It is understood that the undisclosed left side of the claimed article is substantially plain and unornamented.

1 Claim, 3 Drawing Sheets



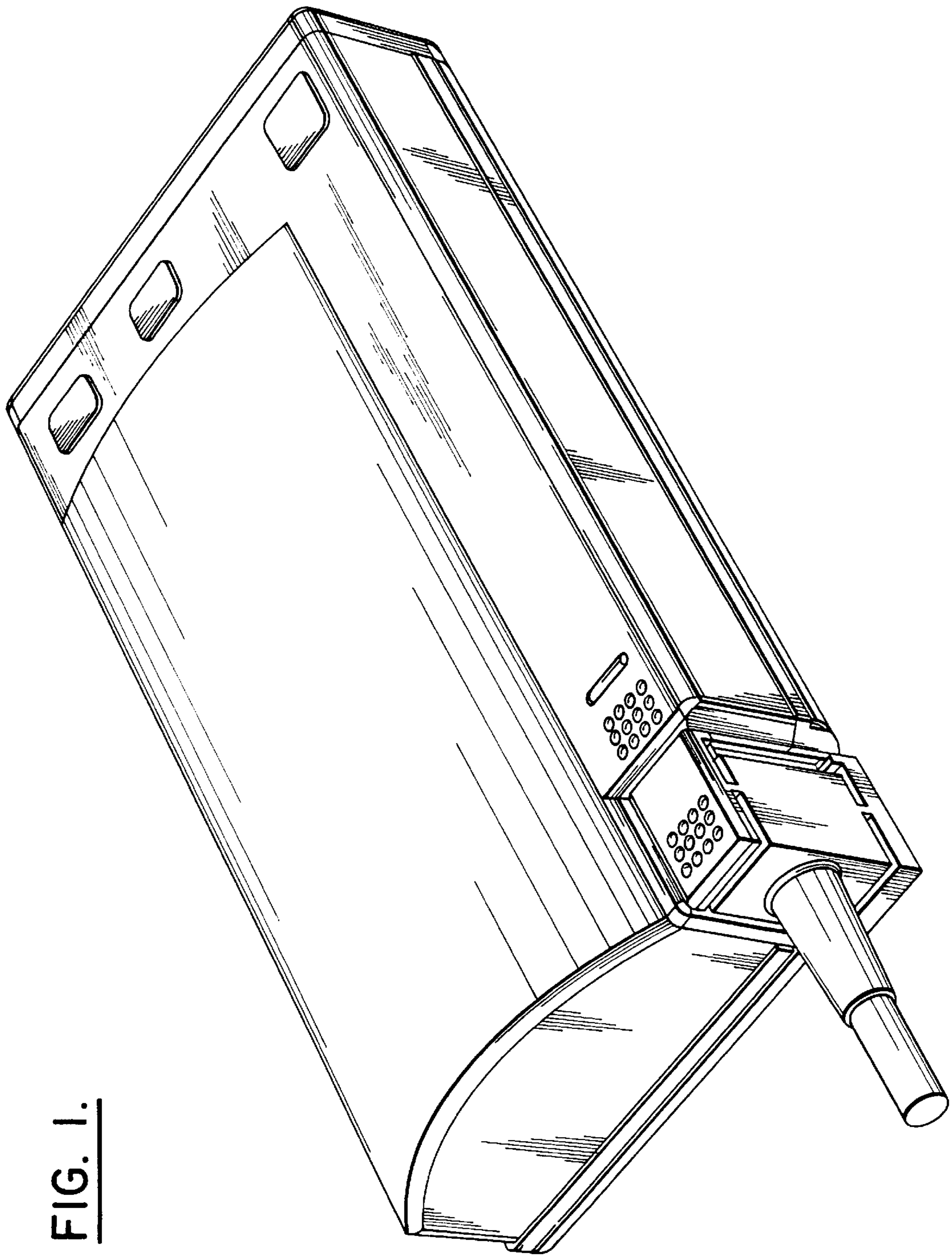


FIG. 1.

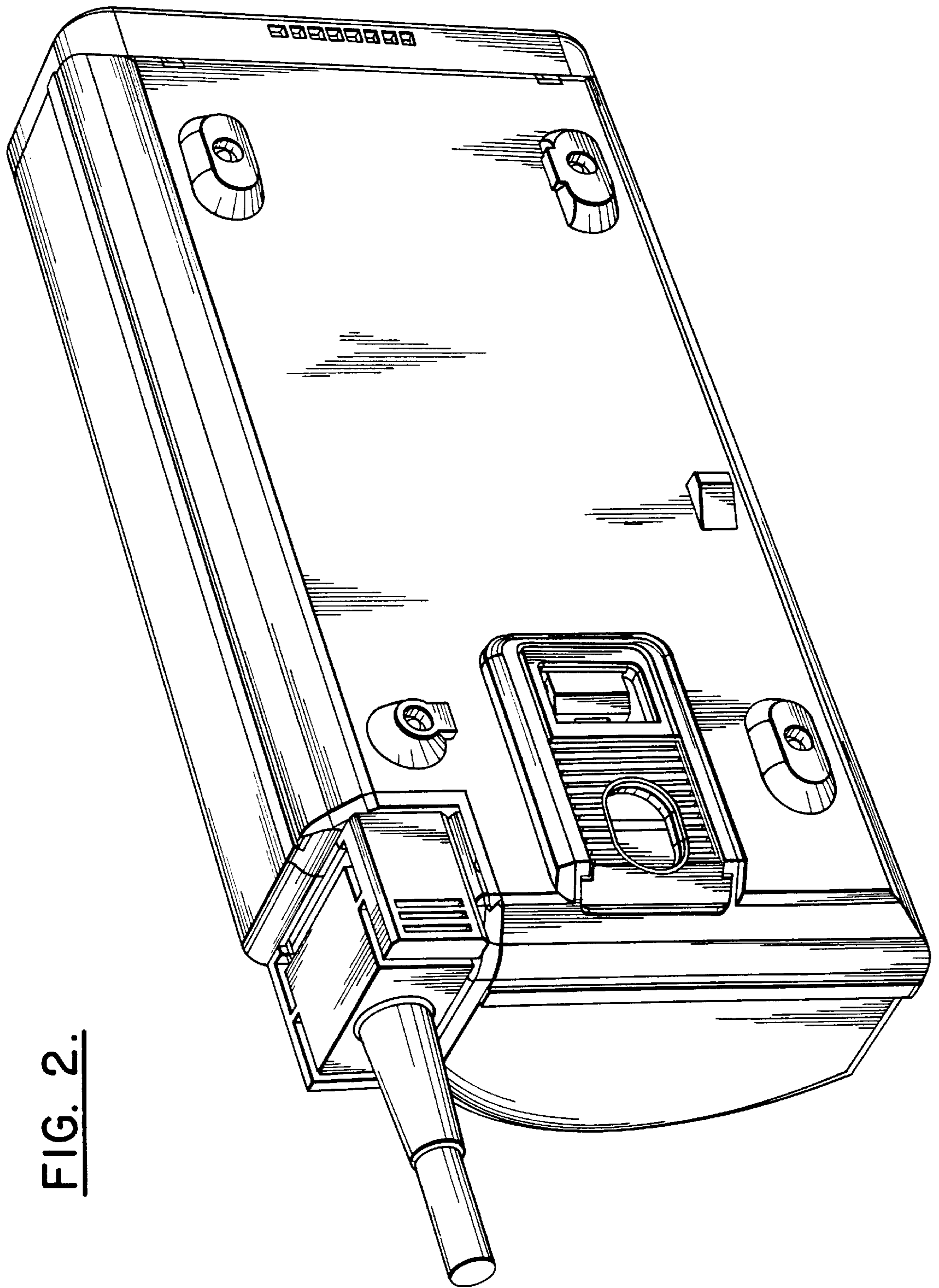


FIG. 2.

FIG. 3.

