



US00D405172S

# United States Patent [19]

[11] Patent Number: **Des. 405,172**

LaSpina et al.

[45] Date of Patent: **\*\*Feb. 2, 1999**

[54] **COMBINED CEILING FAN AND LIGHT KIT**

D. 382,637 8/1997 Lee ..... D23/377  
D. 389,237 1/1998 Jaspers-Fayer et al. .... D23/377

[75] Inventors: **Alfred J. LaSpina**, Methuen, Mass.;  
**Stephen M. Gatchell**, Warwick, R.I.

### OTHER PUBLICATIONS

[73] Assignee: **Honeywell Inc.**, Minneapolis, Minn.

Casablanca Fan Co. Adv. Cat., p. 22, Ceiling Fan Blade A, left middle side of page.

[\*\*] Term: **14 Years**

ONeida Innovations Inc. Cat., p. 6, Ceiling Fan B, top of page, 1993, Cat.

[21] Appl. No.: **86,975**

Codep Internat'l Inc. Cat., p. 28, Ceiling Fan©.

[22] Filed: **Apr. 23, 1998**

*Primary Examiner*—Lisa Lichtenstein  
*Attorney, Agent, or Firm*—Robert B. Leonard

[51] **LOC (6) Cl.** ..... **23-04**

### [57] CLAIM

[52] **U.S. Cl.** ..... **D23/377; D23/379; D23/385**

[58] **Field of Search** ..... D23/377, 379,  
D23/385, 411, 413; 362/96; D26/72, 59,  
51, 81-86, 88, 80; 416/5; 392/364

The ornamental design for a combined ceiling fan and light kit, as shown and described.

### DESCRIPTION

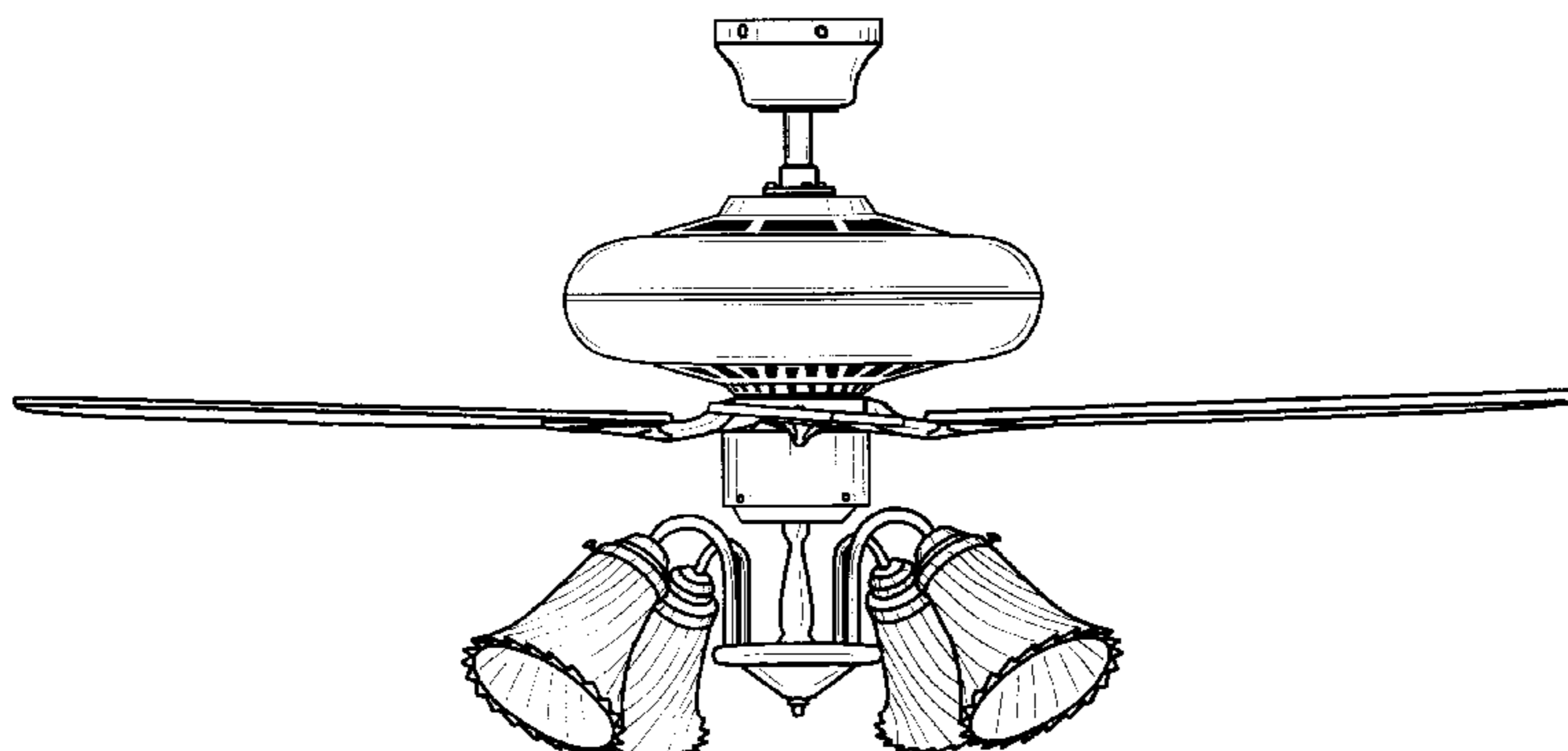
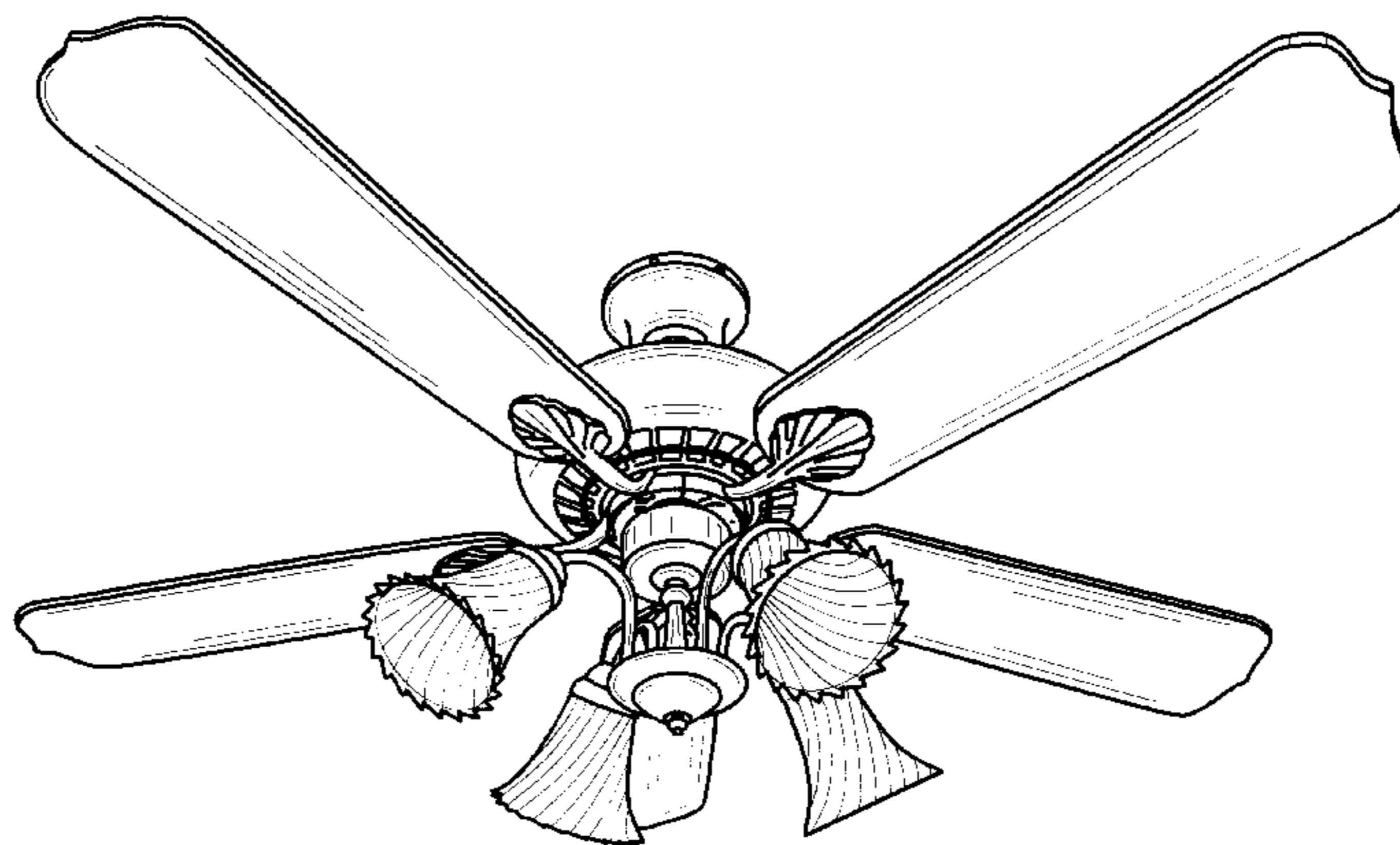
### [56] References Cited

#### U.S. PATENT DOCUMENTS

D. 345,205	3/1994	DiPasquale	.....	D23/379
D. 346,859	5/1994	DiPasquale	.....	D23/411
D. 347,056	5/1994	Bucher et al.	.....	D23/411
D. 349,337	8/1994	Tsuji	.....	D23/377
D. 358,877	5/1995	Buji	.....	D23/377
D. 362,907	10/1995	DePasquale	.....	D23/411
D. 378,312	3/1997	Davis, Jr.	.....	D23/377

FIG. 1 is a perspective view of a combined ceiling fan and light kit showing our design;  
FIG. 2 is a front elevational view thereof, the opposite and adjacent sides being substantially mirror images of that shown;  
FIG. 3 is a top plan view thereof; and,  
FIG. 4 is a bottom plan view thereof.

**1 Claim, 3 Drawing Sheets**



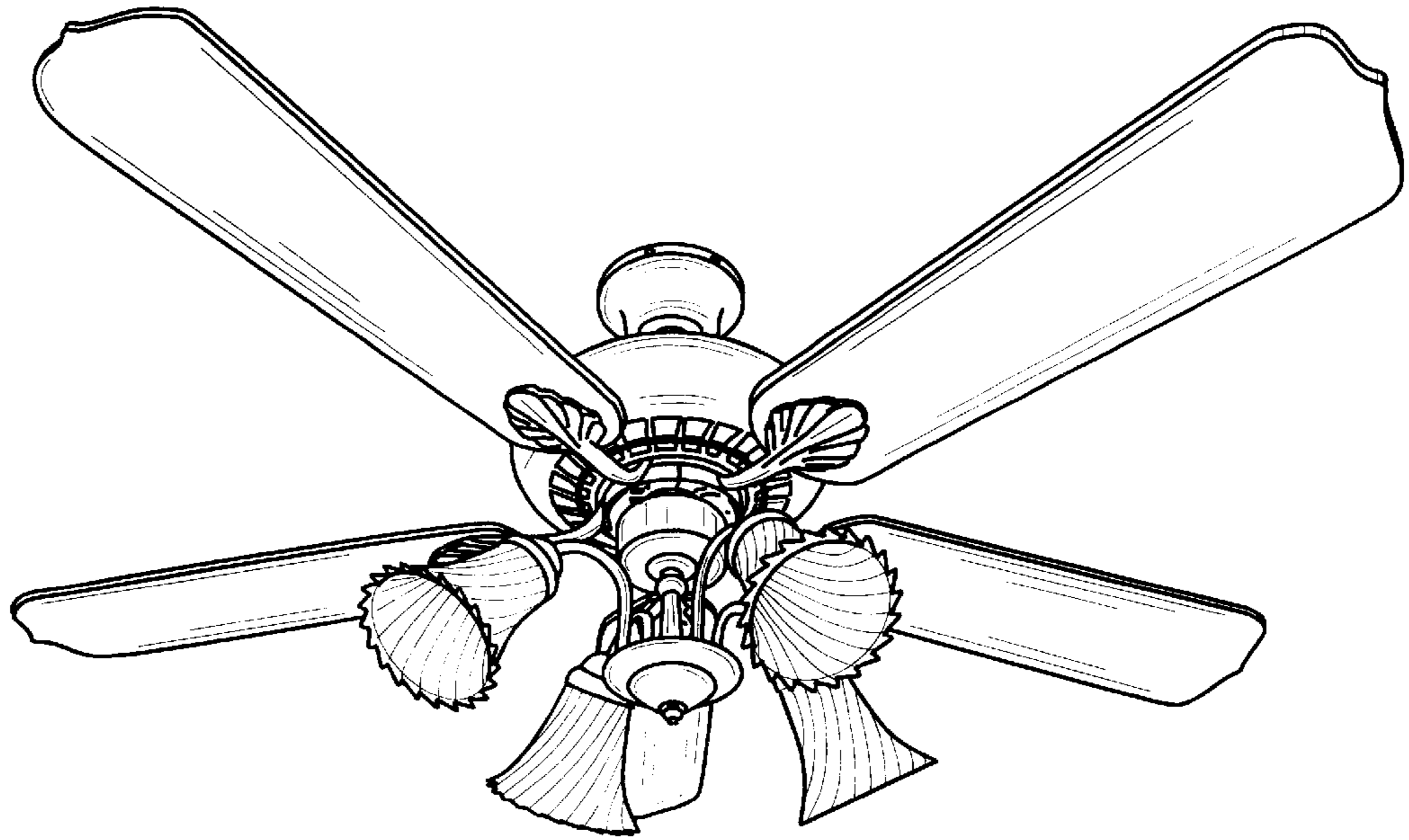


FIG. 1

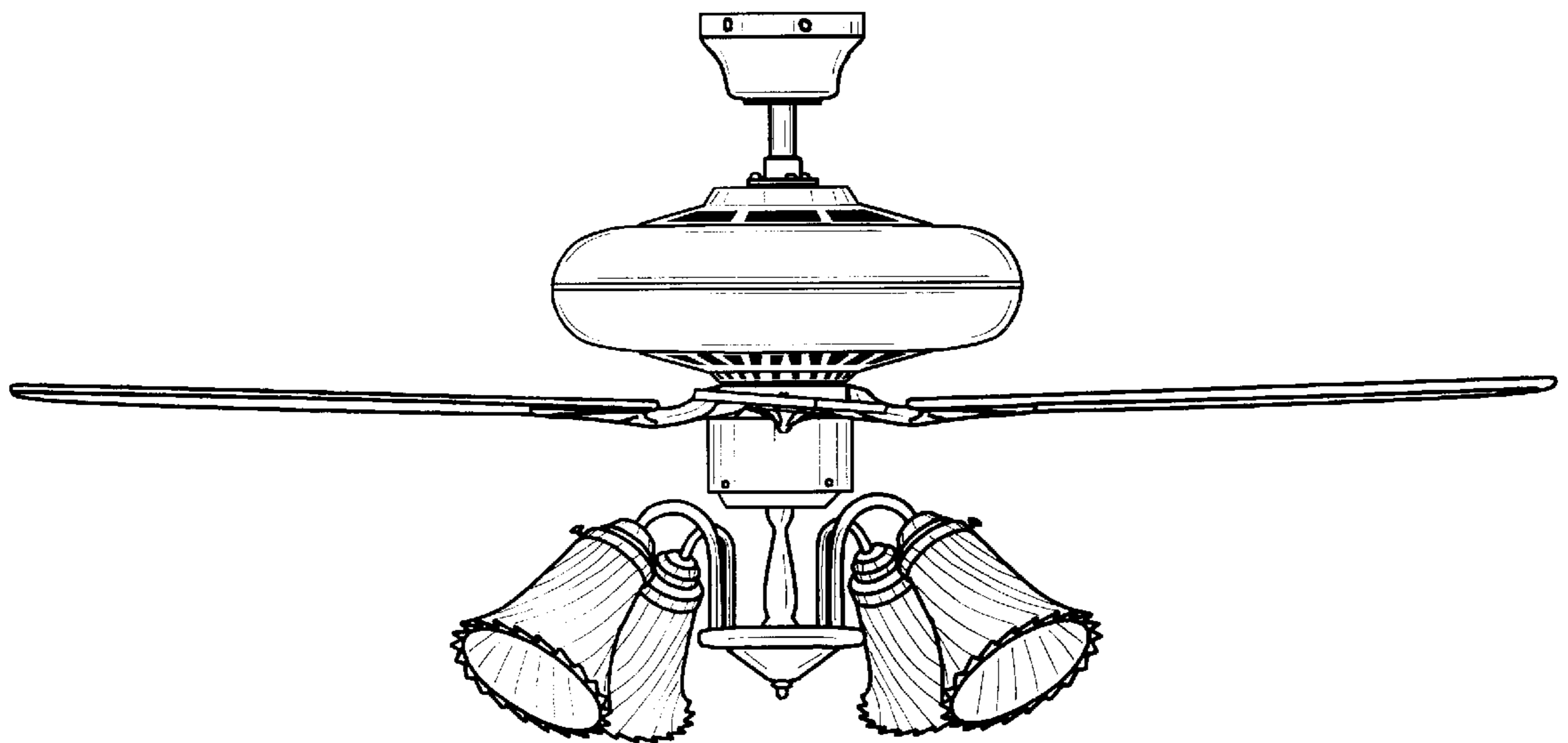


FIG. 2

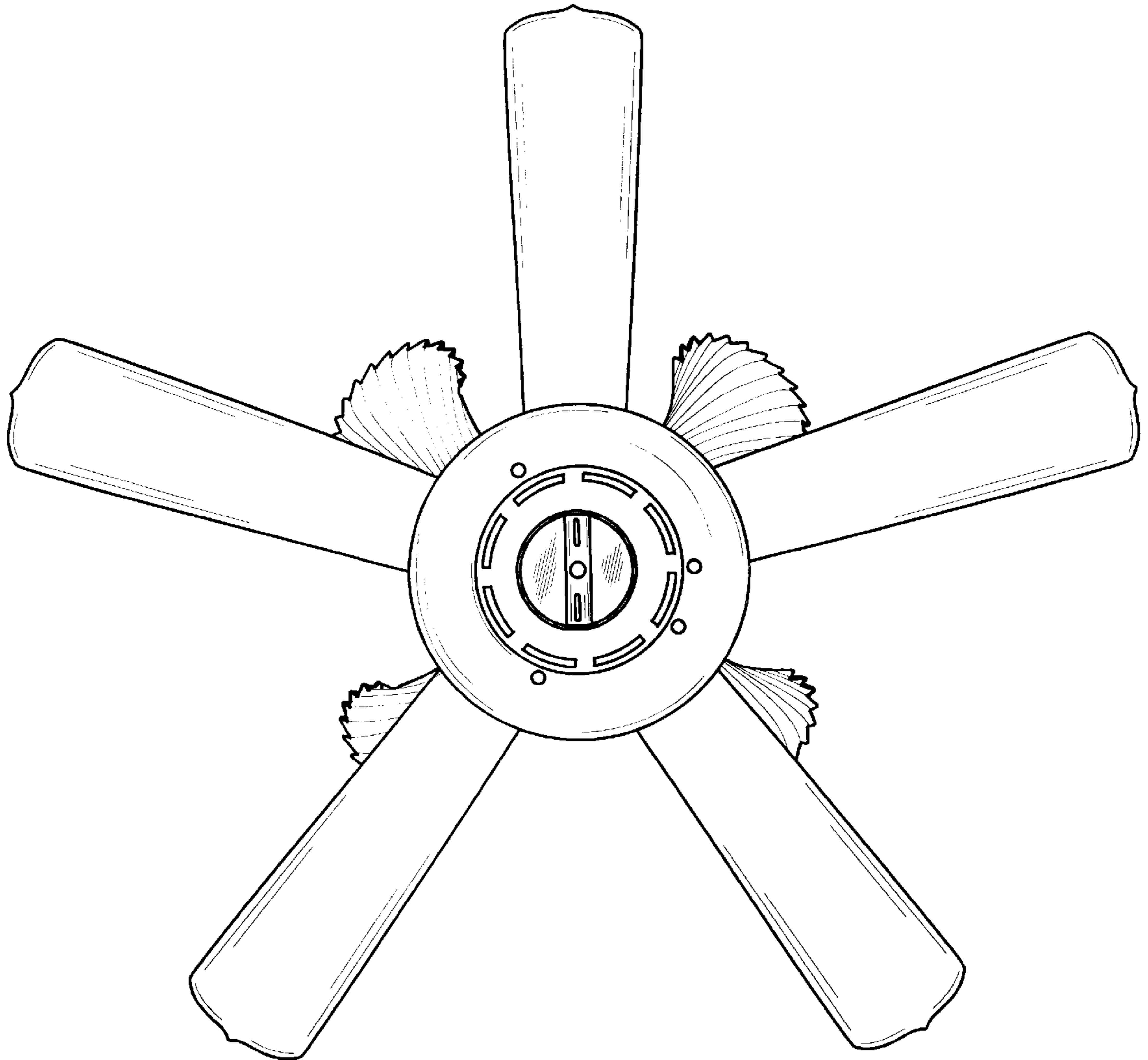


FIG. 3

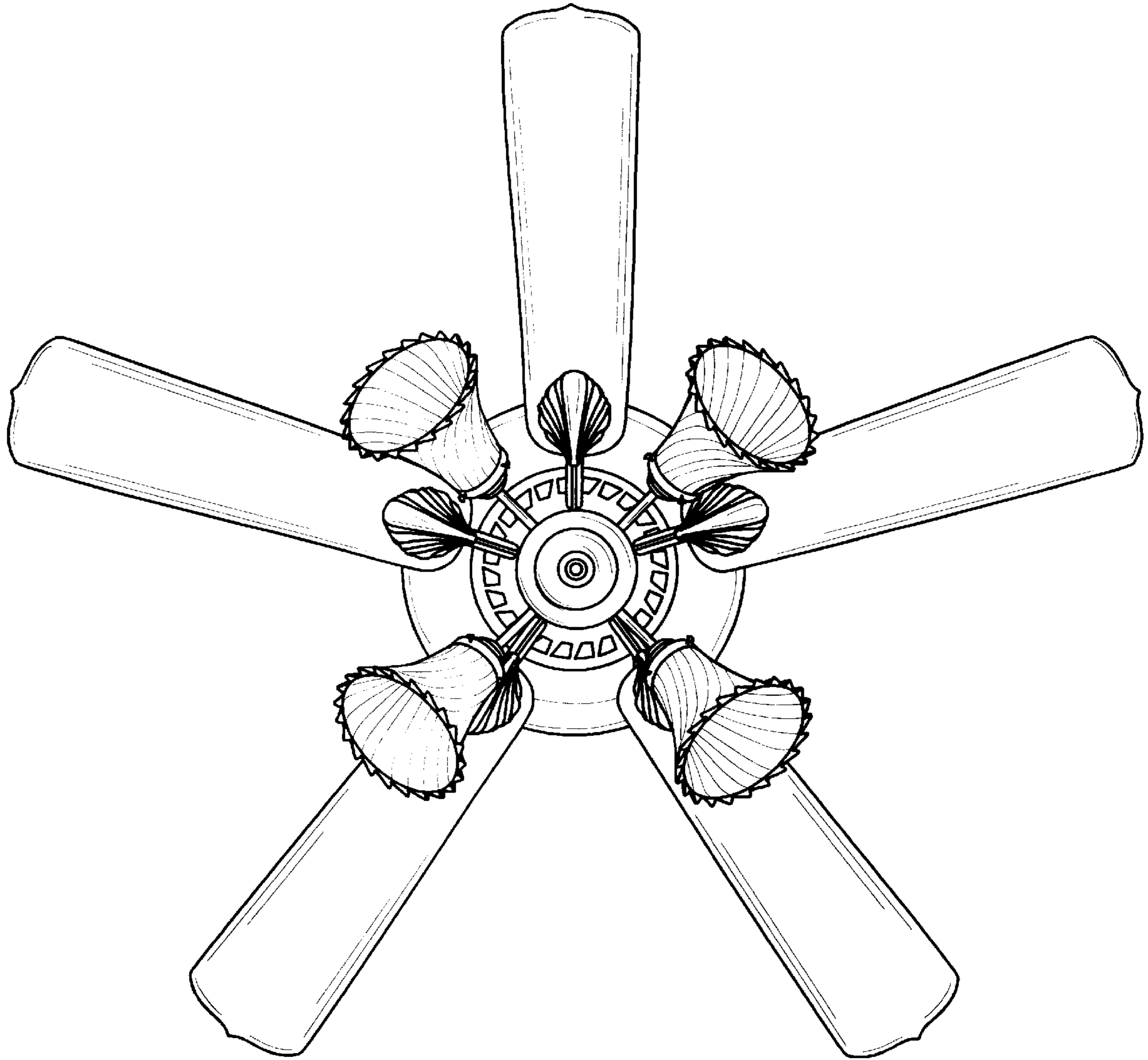


FIG. 4