

US00D405170S

United States Patent [19]
Haeck

[11] **Patent Number: Des. 405,170**

[45] **Date of Patent: **Feb. 2, 1999**

[54] **COMBINED AIR CONDITIONING AND HEATING UNIT HOUSING**

[75] Inventor: **Dennis Leon Haeck**, Union, Mich.

[73] Assignee: **Pro Air, Inc.**, Elkhart, Ind.

[**] Term: **14 Years**

[21] Appl. No.: **68,710**

[22] Filed: **Mar. 20, 1997**

[51] **LOC (6) Cl. 23-04**

[52] **U.S. Cl. D23/328; D23/314; D23/351**

[58] **Field of Search D23/370, 351-354, D23/328, 314; 165/122**

[56] **References Cited**

U.S. PATENT DOCUMENTS

D. 119,051	2/1940	Rogers	D23/351
D. 180,247	5/1957	Schory	D23/328
D. 366,522	1/1996	Lagace et al.	D23/370
3,124,197	3/1964	Funk	165/122

*Primary Examiner—Lisa Lichtenstein
Attorney, Agent, or Firm—Baker & Daniels*

[57] **CLAIM**

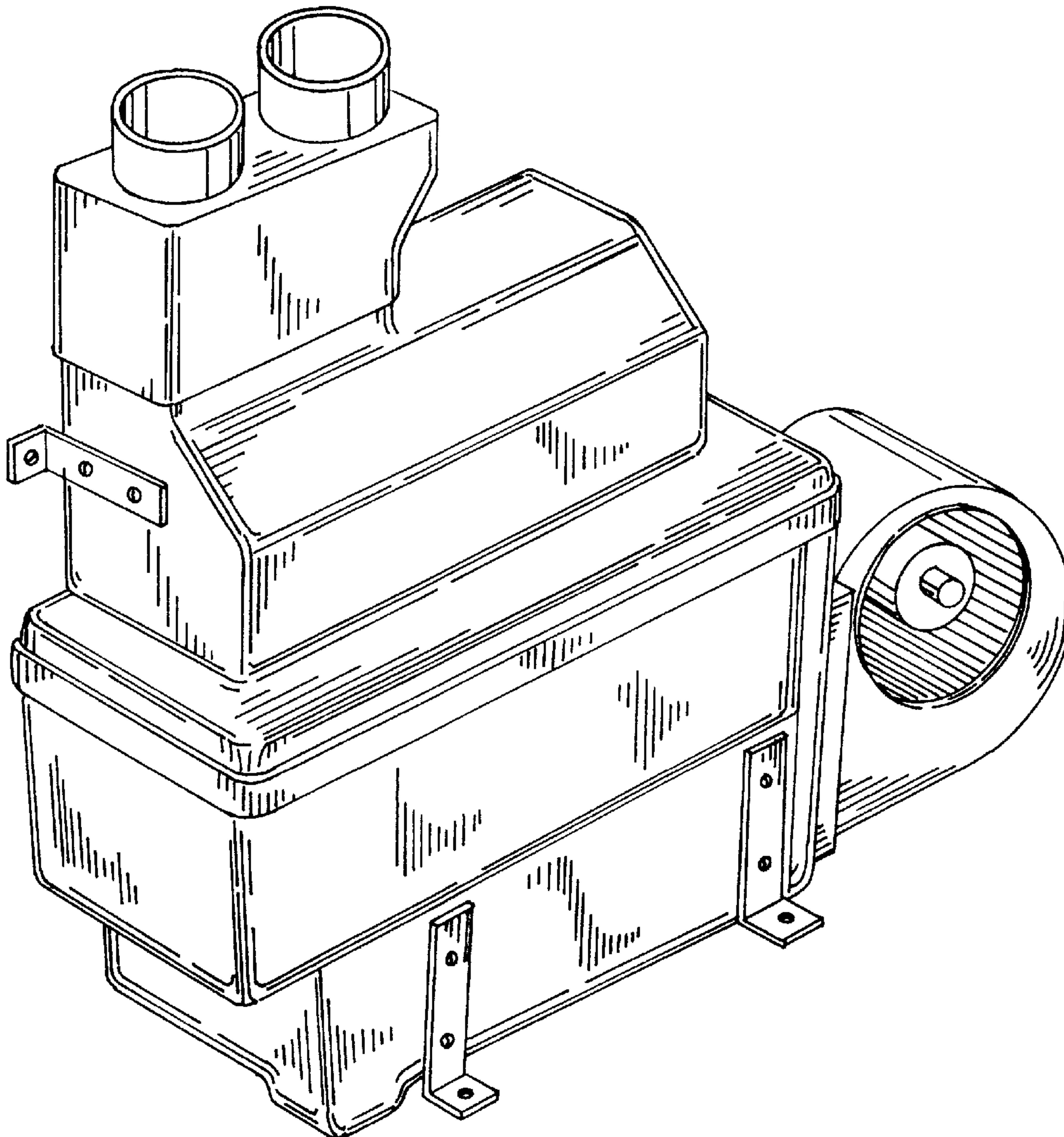
The ornamental design for a housing for a combined air conditioning and heating unit housing, as shown.

DESCRIPTION

FIG. 1 is a perspective view of a combined air conditioning and heating unit housing illustrating my new design; FIG. 2 is a front elevational view of the combined air conditioning and heating unit housing shown in FIG. 1; FIG. 3 is a rear elevational view of the combined air conditioning and heating unit housing shown in FIGS. 1 and 2; FIG. 4 is a left side elevational view thereof; FIG. 5 is a right side elevational view thereof; and, FIG. 6 is a top plan view thereof.

The ornamental design for a housing for a combined air conditioning and heating unit housing, as shown and described.

1 Claim, 5 Drawing Sheets



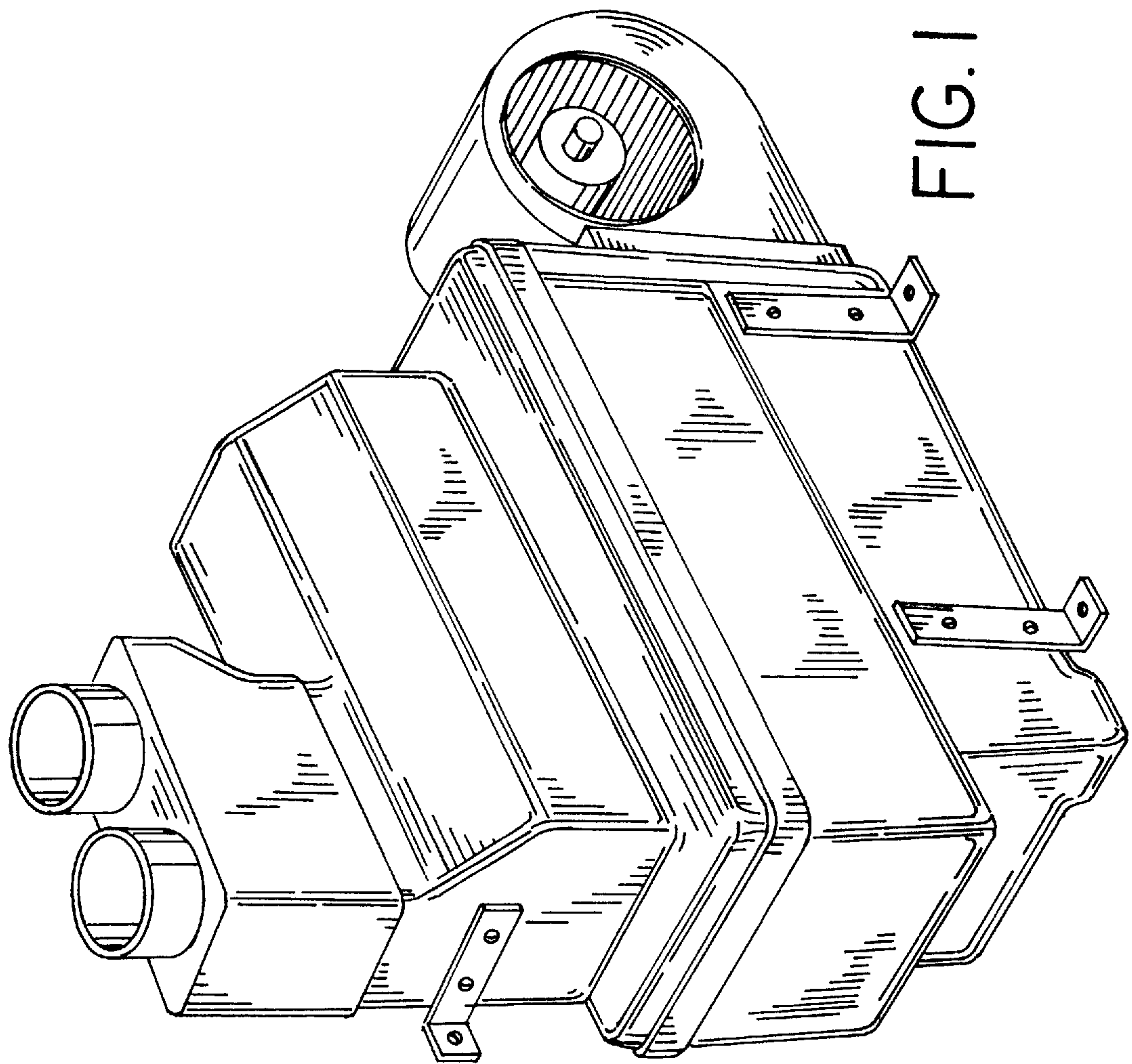


FIG. 1

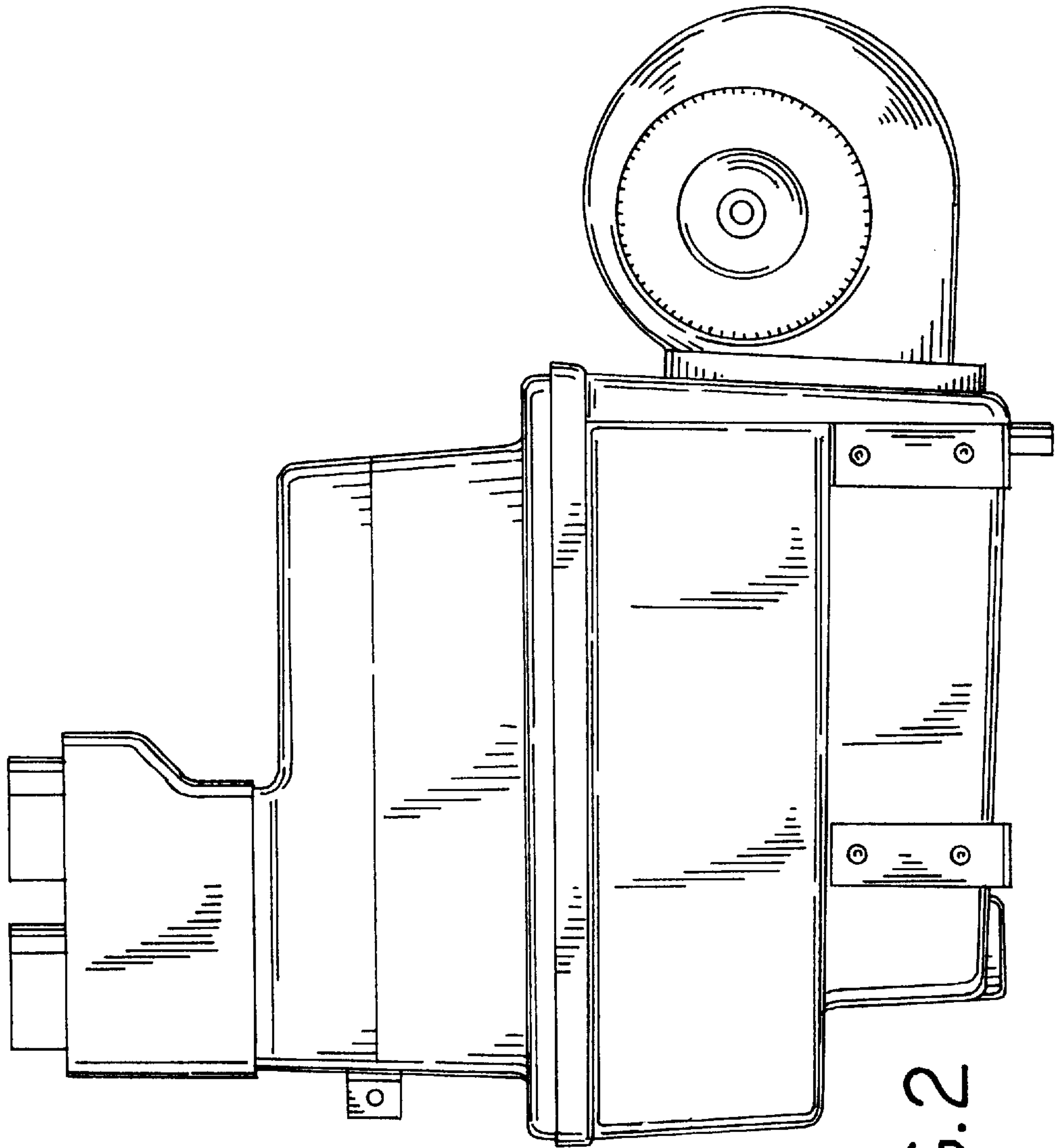


FIG. 2

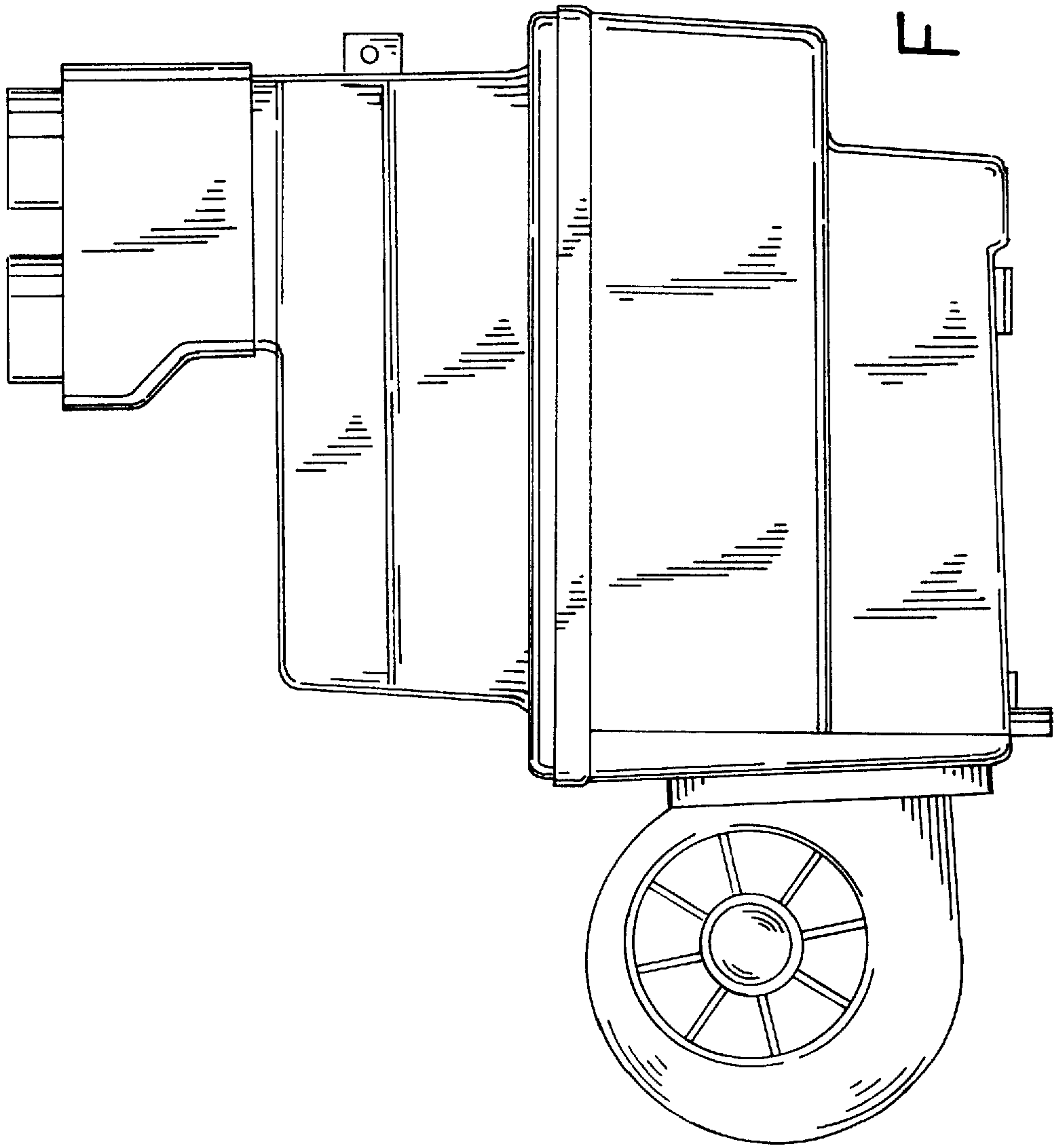


FIG. 3

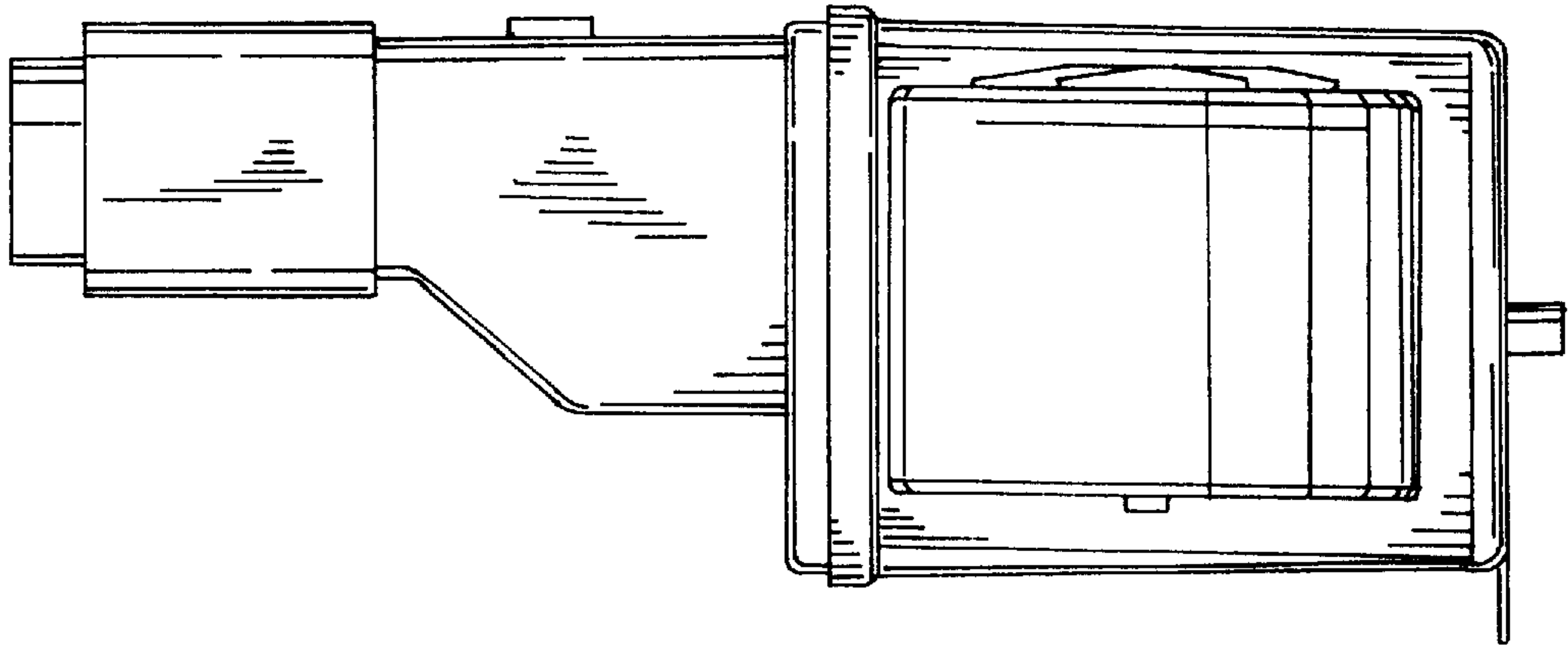


FIG. 5

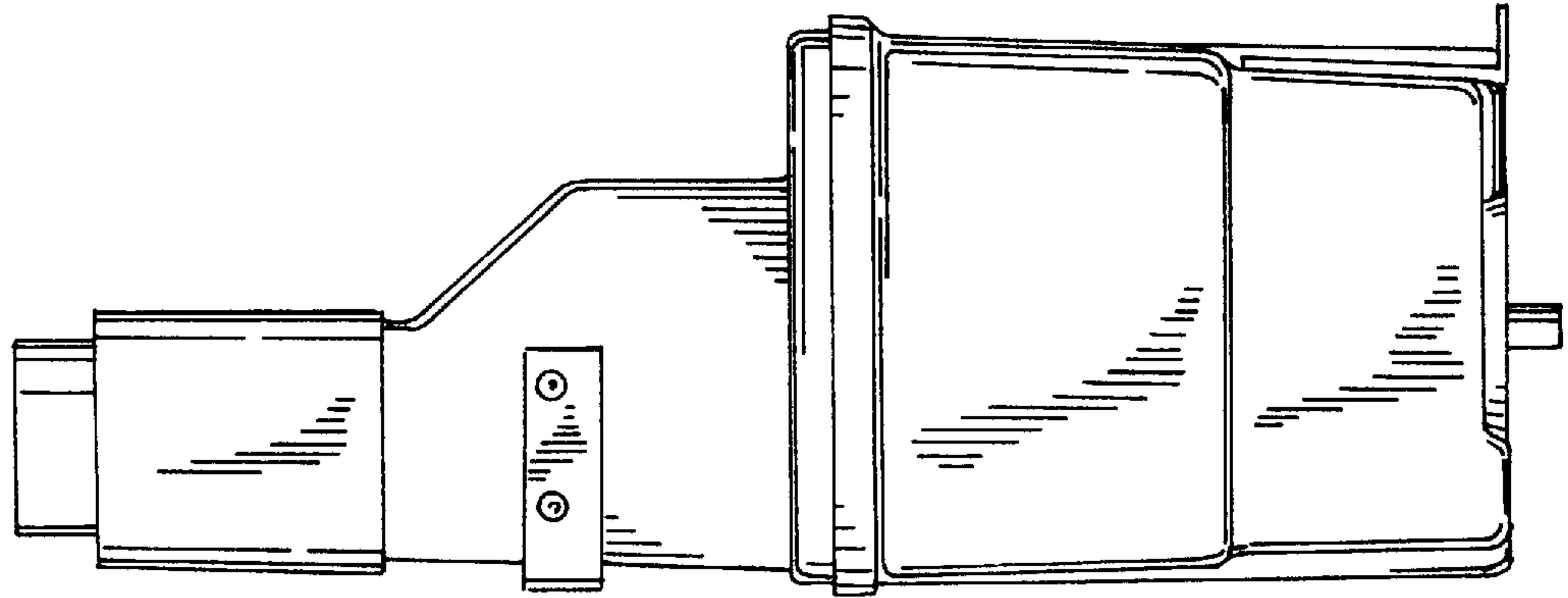


FIG 4

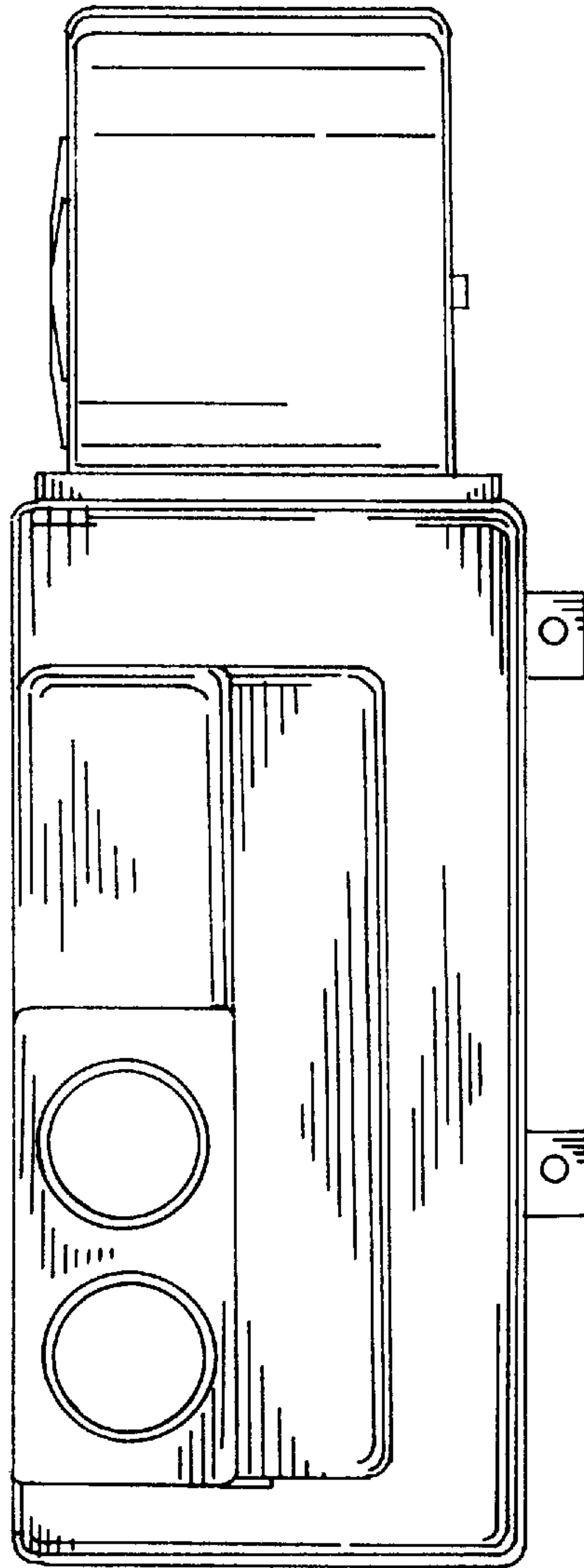


FIG. 6