



US00D405167S

United States Patent [19] Zeidner

[11] Patent Number: Des. 405,167

[45] Date of Patent: ***Feb. 2, 1999

[54] BATH TUB FIXTURE

[76] Inventor: Steve Zeidner, 31950 Krebs Rd., Avon Lake, Ohio 44012

[*] Notice: The term of this patent shall not extend beyond the expiration date of Pat. No. D. 394,493.

[**] Term: 14 Years

[21] Appl. No.: 65,584

[22] Filed: Jan. 30, 1997

Related U.S. Application Data

[63] Continuation of Ser. No. 29,083, Sep. 29, 1994, Pat. No. Des. 394,493.

[51] LOC (6) Cl. 23-02

[52] U.S. Cl. D23/277

[58] Field of Search D23/277-280.4;
4/538, 539, 546, 548, 551, 584, 589, 590

[56] References Cited

U.S. PATENT DOCUMENTS

D. 73,911	11/1927	Henricks	D23/280.1
D. 238,071	12/1975	Ganger	D23/2
D. 251,920	5/1979	Ogden	D24/38
D. 254,206	2/1980	Ogden	D23/277 X
D. 295,309	4/1988	Burgess et al.	D23/281
D. 318,322	7/1991	Dannenberg	D23/277
D. 333,515	2/1993	Levien	D23/277
D. 334,974	4/1993	Gatarz	D23/304
1,590,738	6/1926	Darrow	.	

1,844,988	2/1932	Steinkamp	.	
1,940,514	12/1933	Steinkamp	4/173
1,979,596	11/1934	Woolfolk	4/173
2,082,661	6/1937	Simpson	4/173
2,087,183	7/1937	Davock	4/173
2,128,424	8/1938	Marshall	D23/280.1 X
2,168,079	8/1939	Zinkil	4/173
2,490,982	12/1949	Rodman	4/173
2,589,280	3/1952	Ocana	4/173
3,924,278	12/1975	Ekman	4/176
4,706,311	11/1987	Jarosinski	4/546

Primary Examiner—Louis S. Zarfes
Assistant Examiner—Eric Watterson
Attorney, Agent, or Firm—Mark Kusner

[57] CLAIM

The ornamental design for a bath tub fixture, as shown and described.

DESCRIPTION

FIG. 1 is a perspective view of a bath tub fixture showing my new design;
FIG. 2 is a left side, elevational view thereof;
FIG. 3 is a top, plan view thereof;
FIG. 4 is a front, elevational view thereof;
FIG. 5 is a rear, elevational view thereof;
FIG. 6 is a bottom, plan view thereof;
FIG. 7 is a perspective view of a bath tub fixture showing a second embodiment of my design;
FIG. 8 is a perspective view of a bath tub fixture showing a third embodiment of my design; and,
FIG. 9 is a perspective view of a bath tub fixture showing another embodiment of my design.

1 Claim, 5 Drawing Sheets

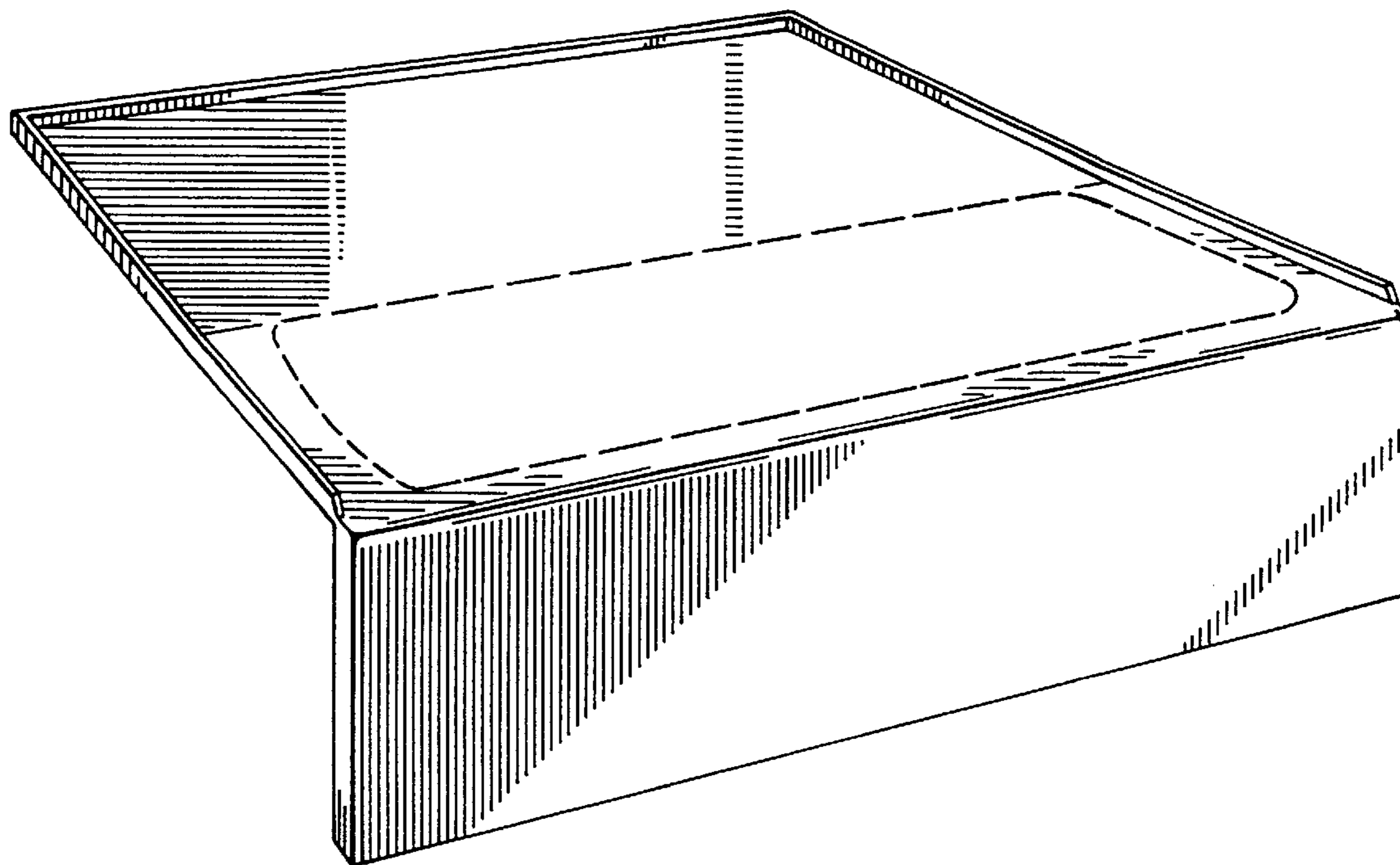


FIG. 1

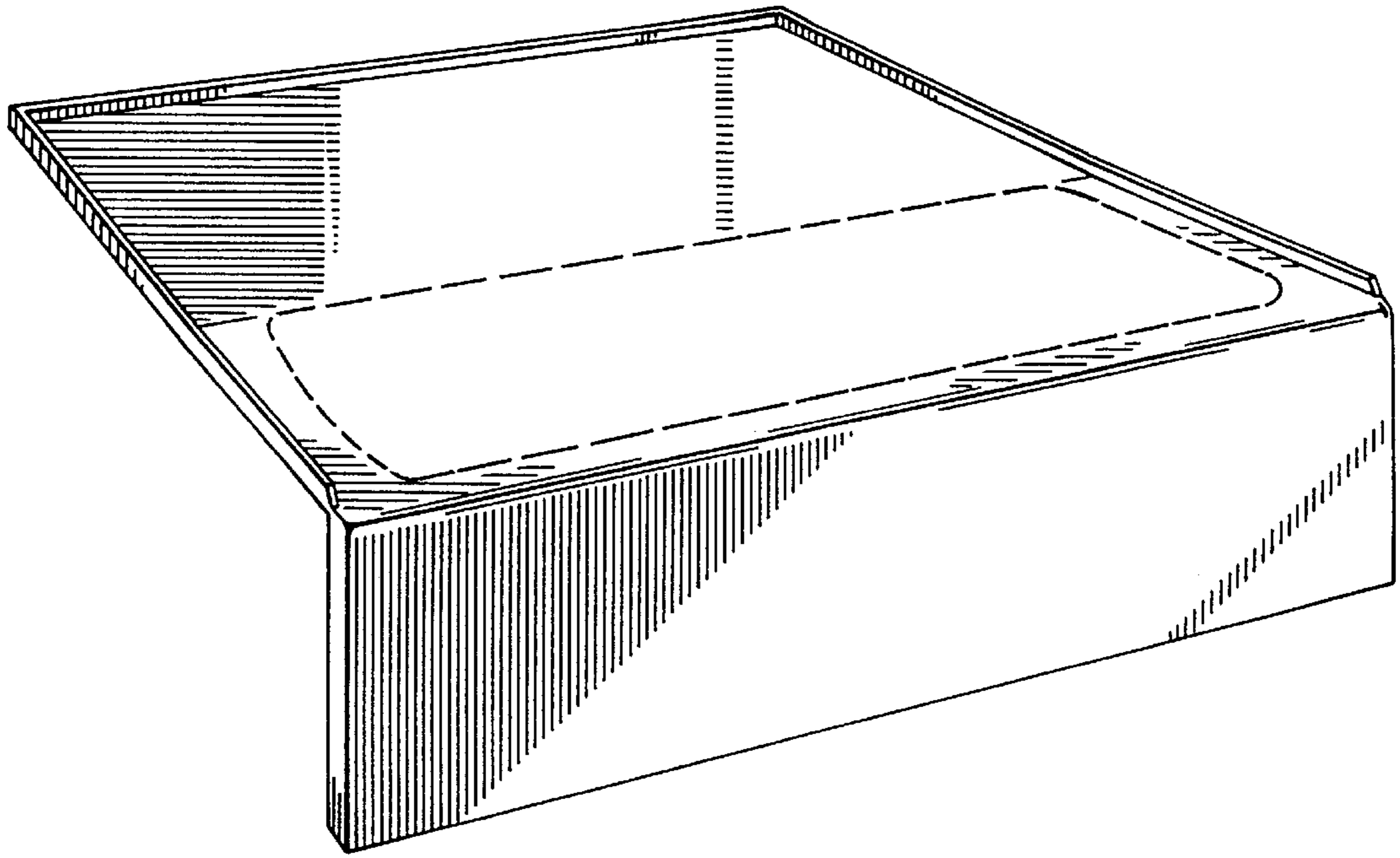


FIG. 2

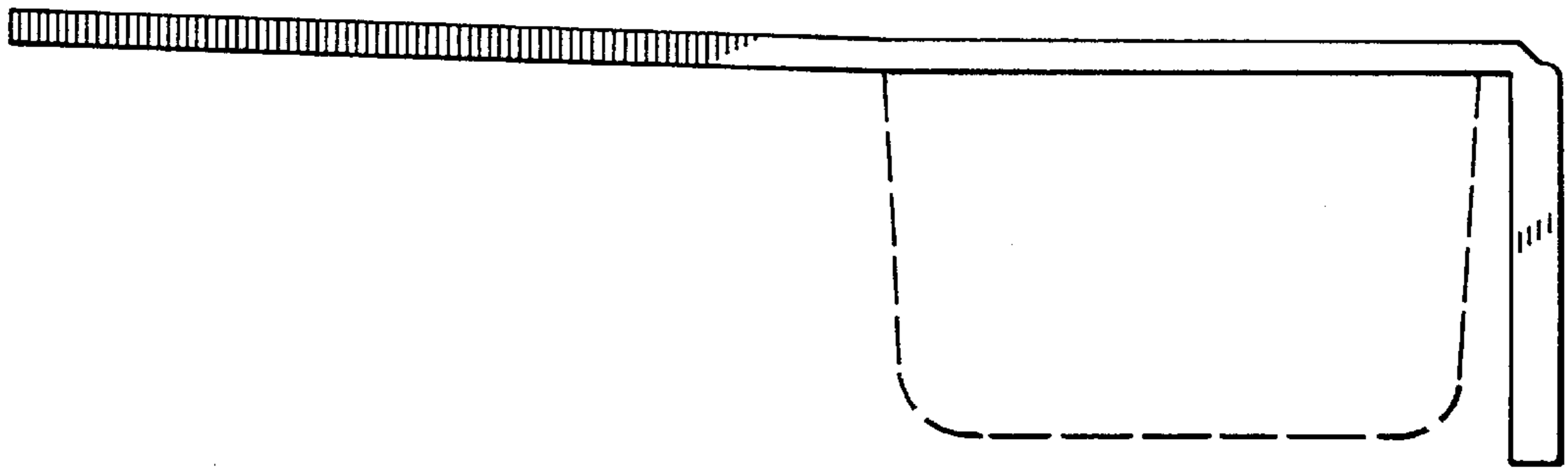


FIG. 3

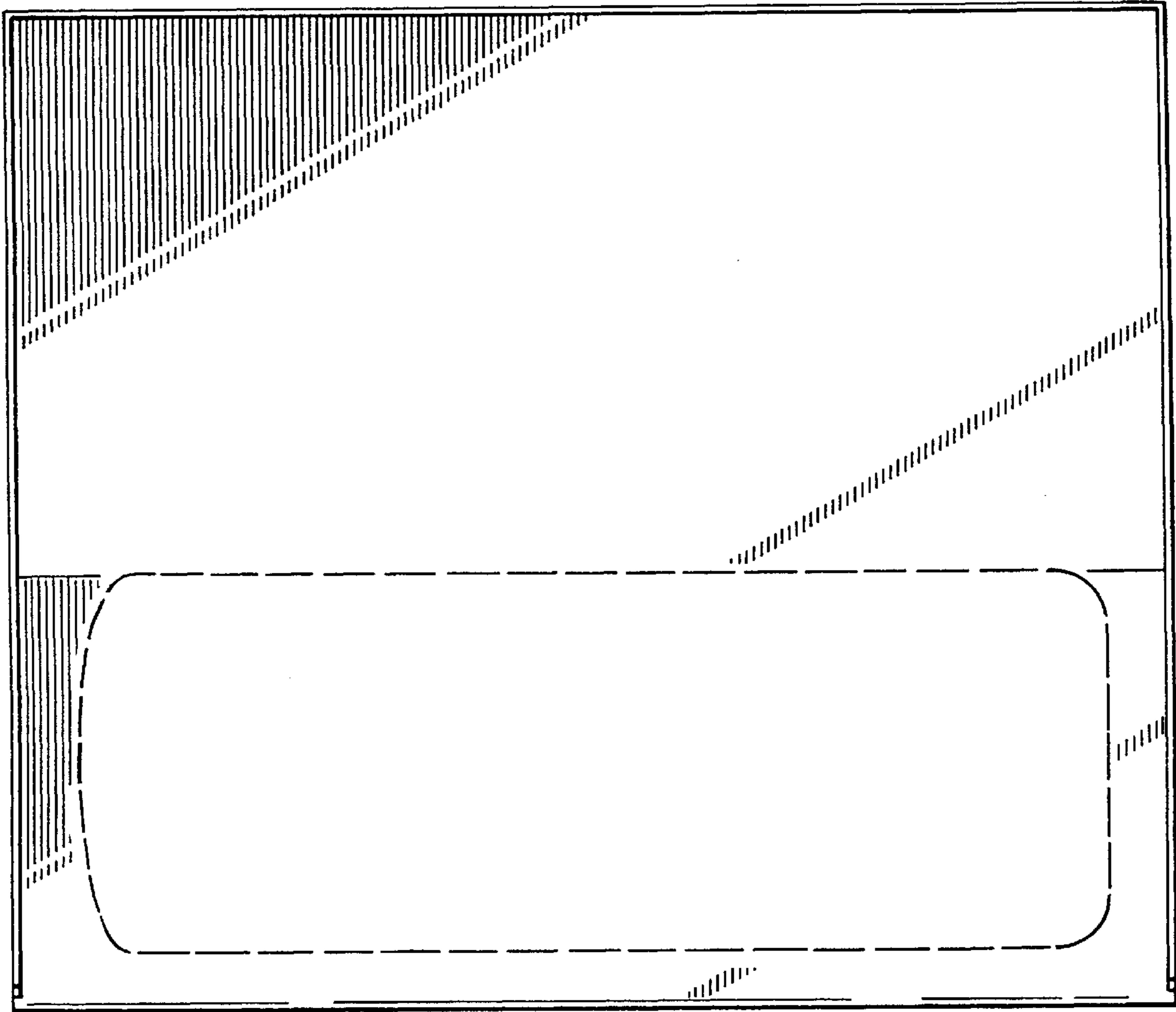


FIG. 4

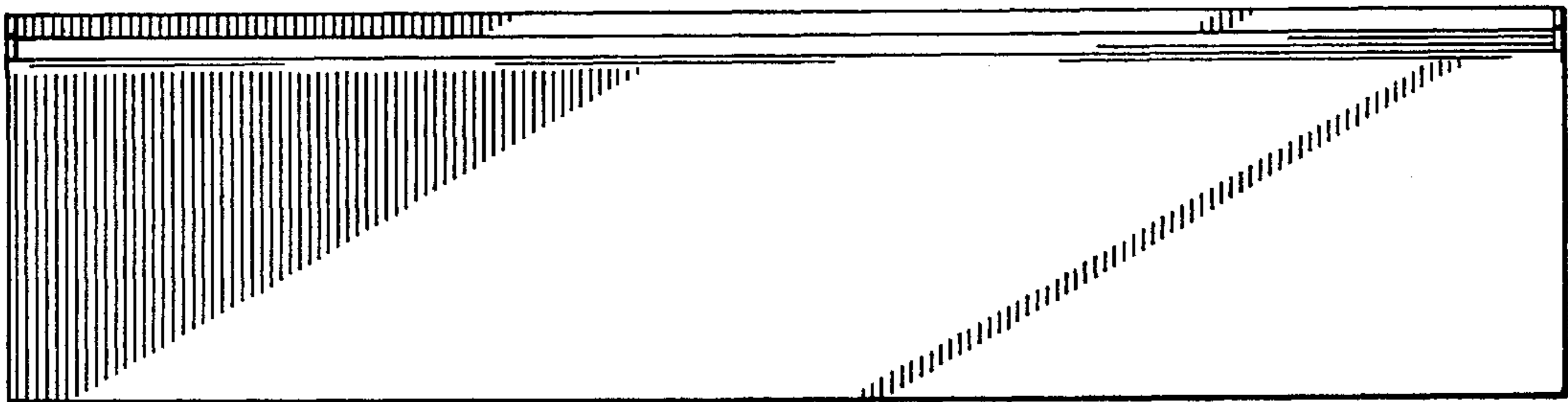


FIG. 5

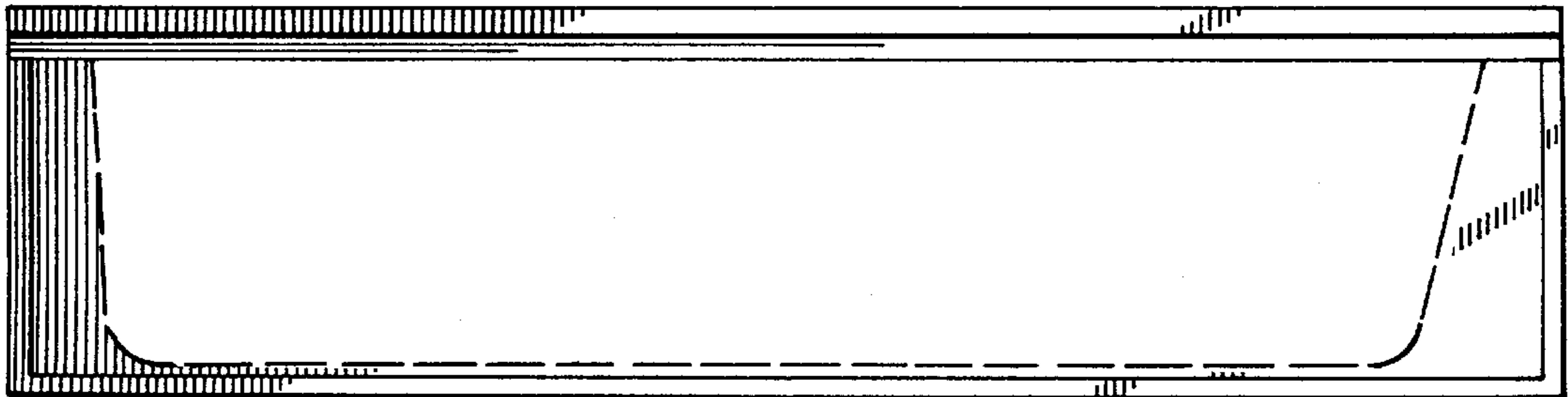


FIG. 6

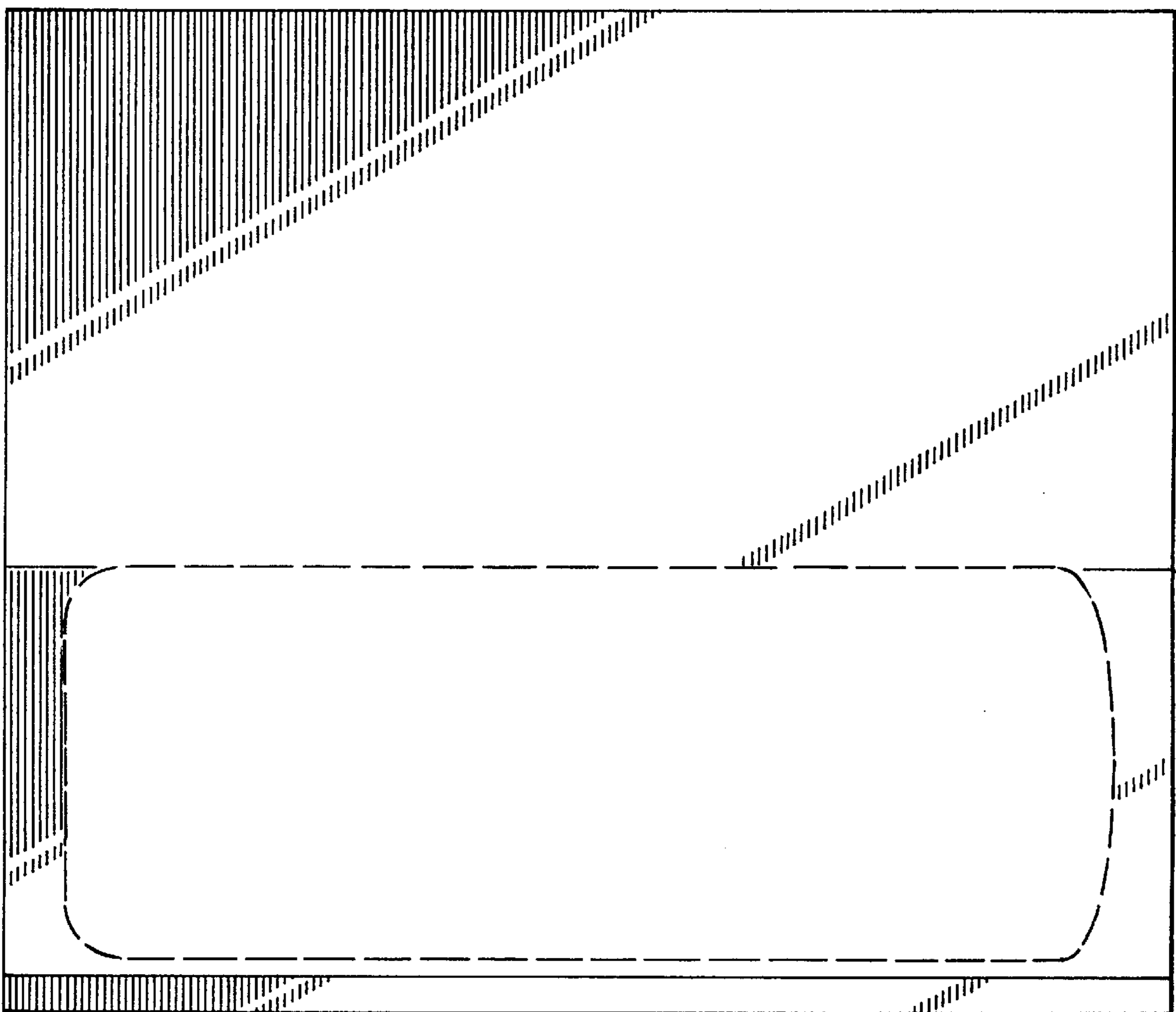


FIG. 7

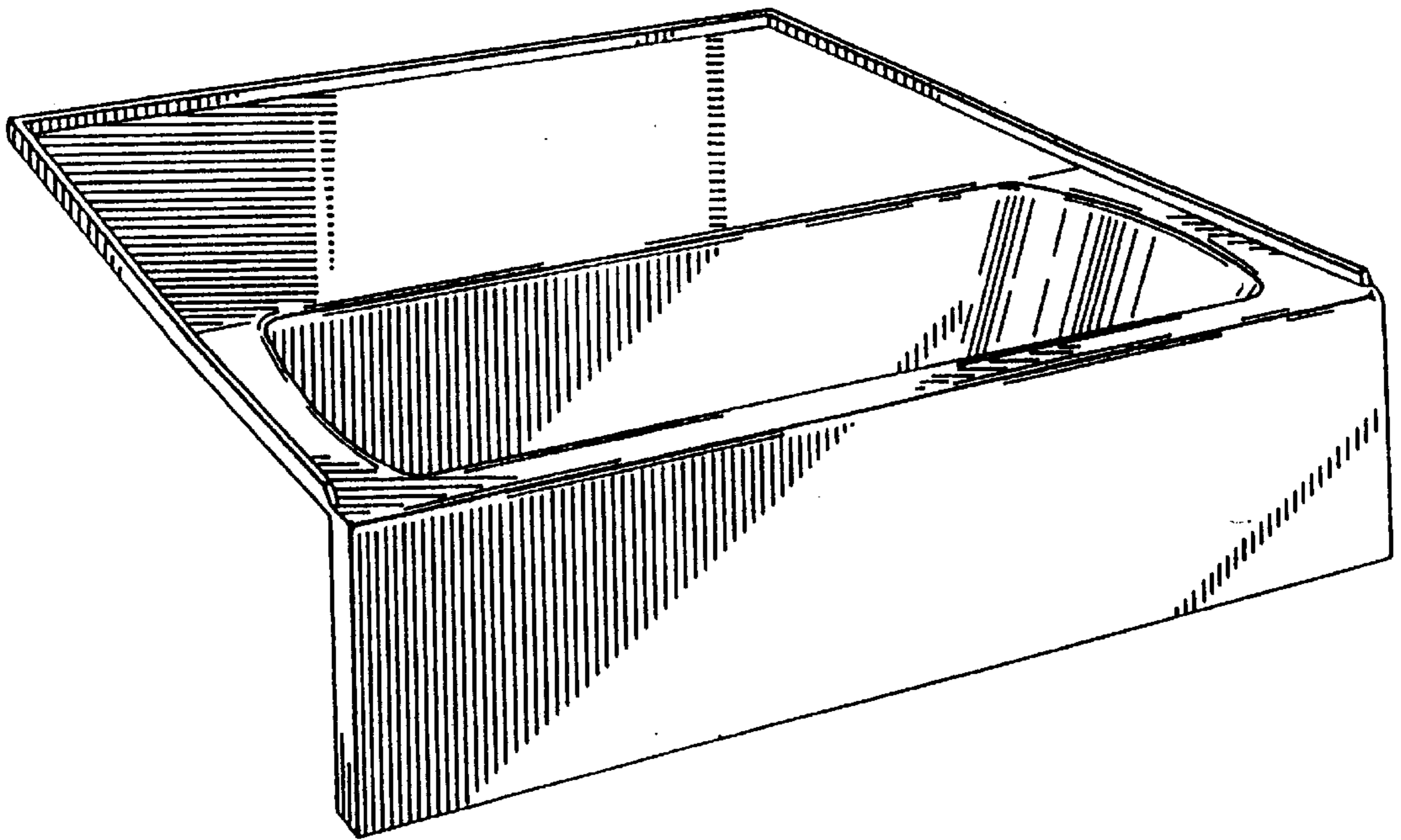
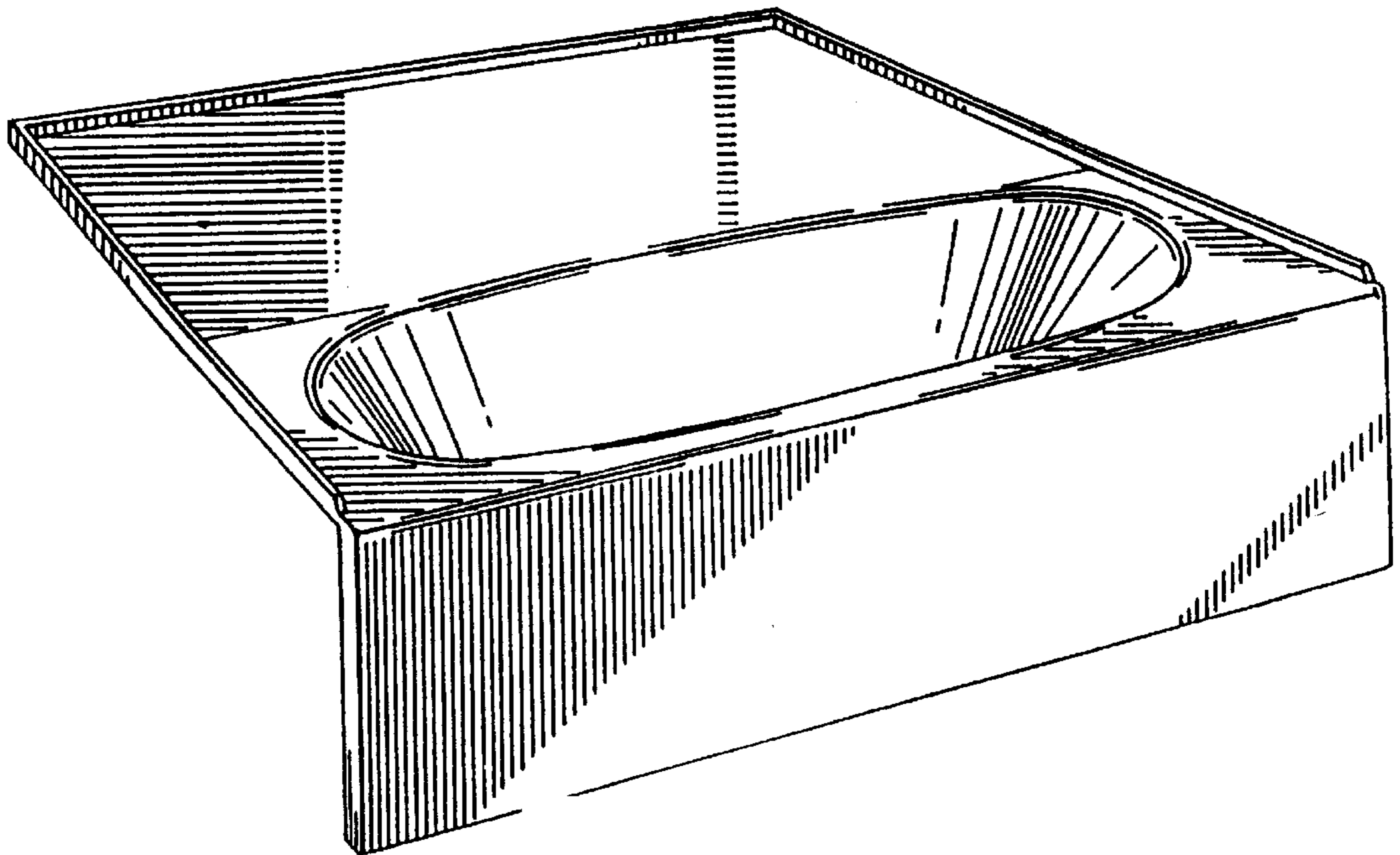


FIG. 8



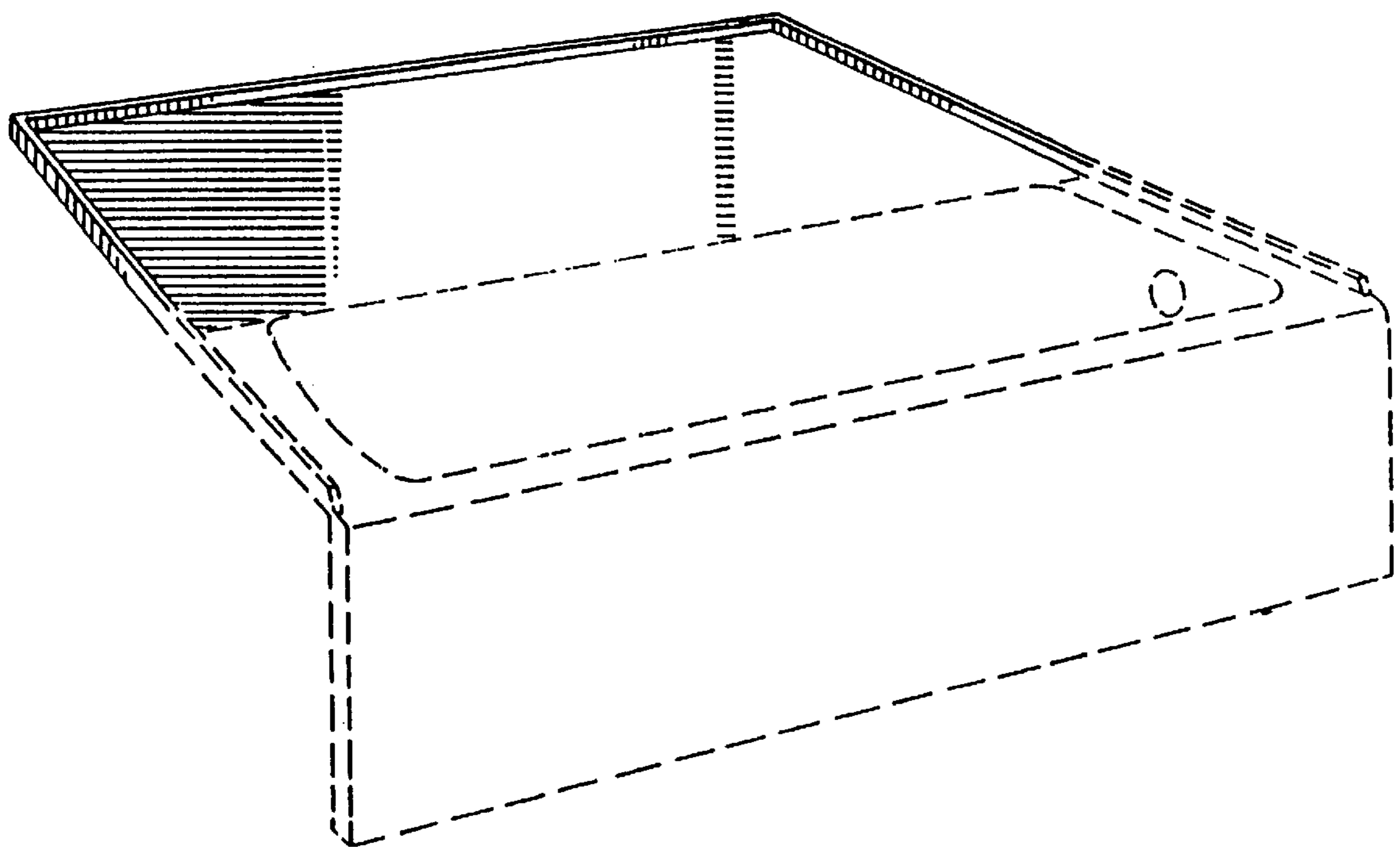


FIG. 9