



US00D405165S

United States Patent [19]
Kolada

[11] **Patent Number:** **Des. 405,165**
[45] **Date of Patent:** ****Feb. 2, 1999**

[54] **SPOUT**

D. 329,688 9/1992 Yost D23/255
D. 349,757 8/1994 Altman D23/255
D. 356,631 3/1995 Kolada D23/255

[75] Inventor: **Paul P. Kolada**, Columbus, Ohio

[73] Assignee: **American Standard, Inc.**, Piscataway, N.J.

[**] Term: **14 Years**

Primary Examiner—Louis S. Zarfes
Assistant Examiner—Eric Watterson
Attorney, Agent, or Firm—Elaine Brenner Robinson; Joseph M. Homa

[21] Appl. No.: **20,751**

[57] **CLAIM**

[22] Filed: **Apr. 1, 1994**

The ornamental design for a spout, as shown and described.

[51] **LOC (6) Cl.** **23-01**

DESCRIPTION

[52] **U.S. Cl.** **D23/257**

[58] **Field of Search** D23/238–243,
D23/255–257; 4/675–678; 137/801

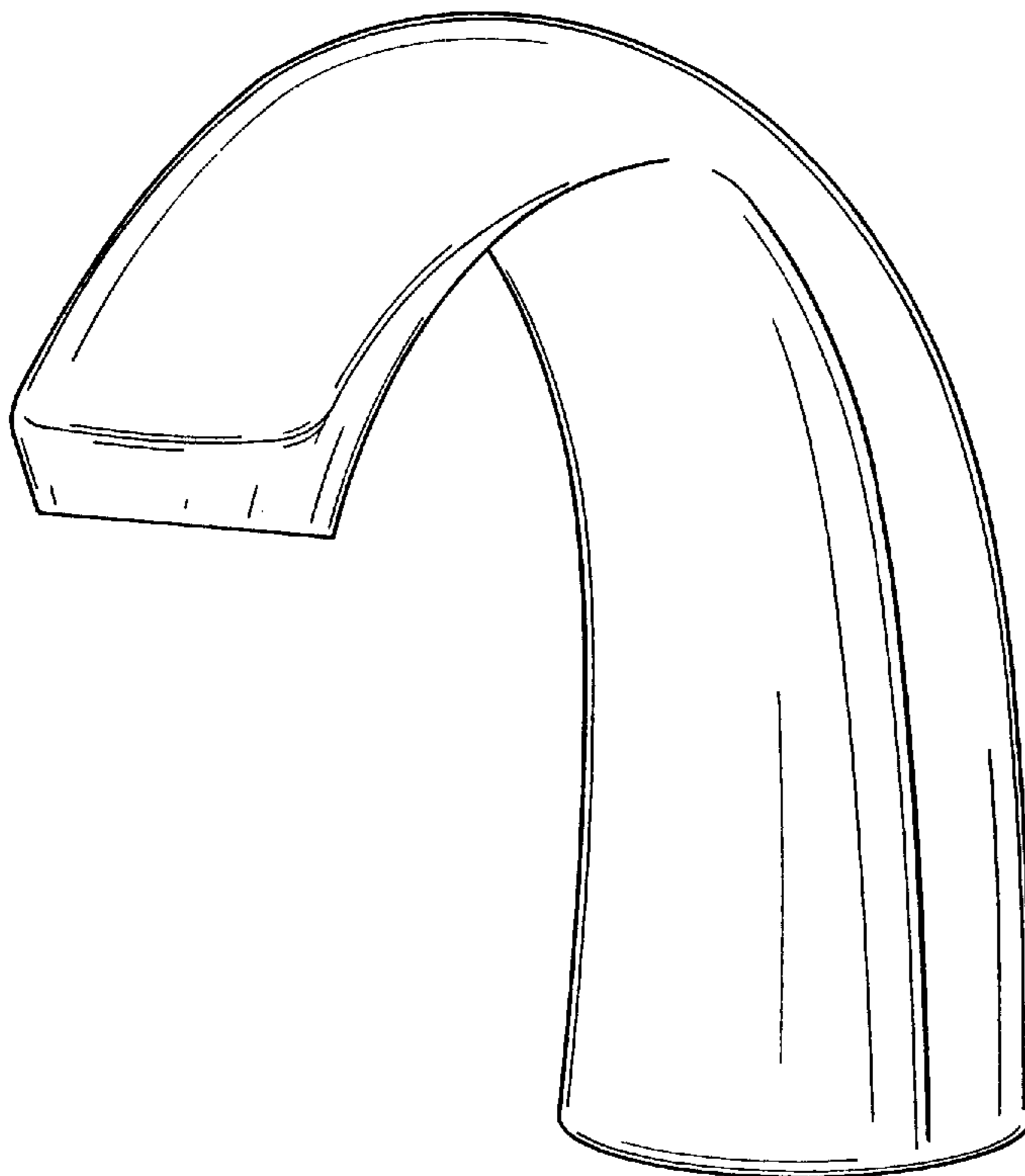
FIG. 1 is a perspective view of the spout;
FIG. 2 is a top plan view thereof;
FIG. 3 is a front elevational view thereof;
FIG. 4 is a right side view thereof, the left side being a mirror image of the right side;
FIG. 5 is a rear elevational view thereof; and,
FIG. 6 is a bottom plan view thereof.

[56] **References Cited**

U.S. PATENT DOCUMENTS

D. 278,270 4/1985 Niemann D23/255
D. 278,271 4/1985 Niemann D23/255
D. 326,901 6/1992 Yost D23/255

1 Claim, 3 Drawing Sheets



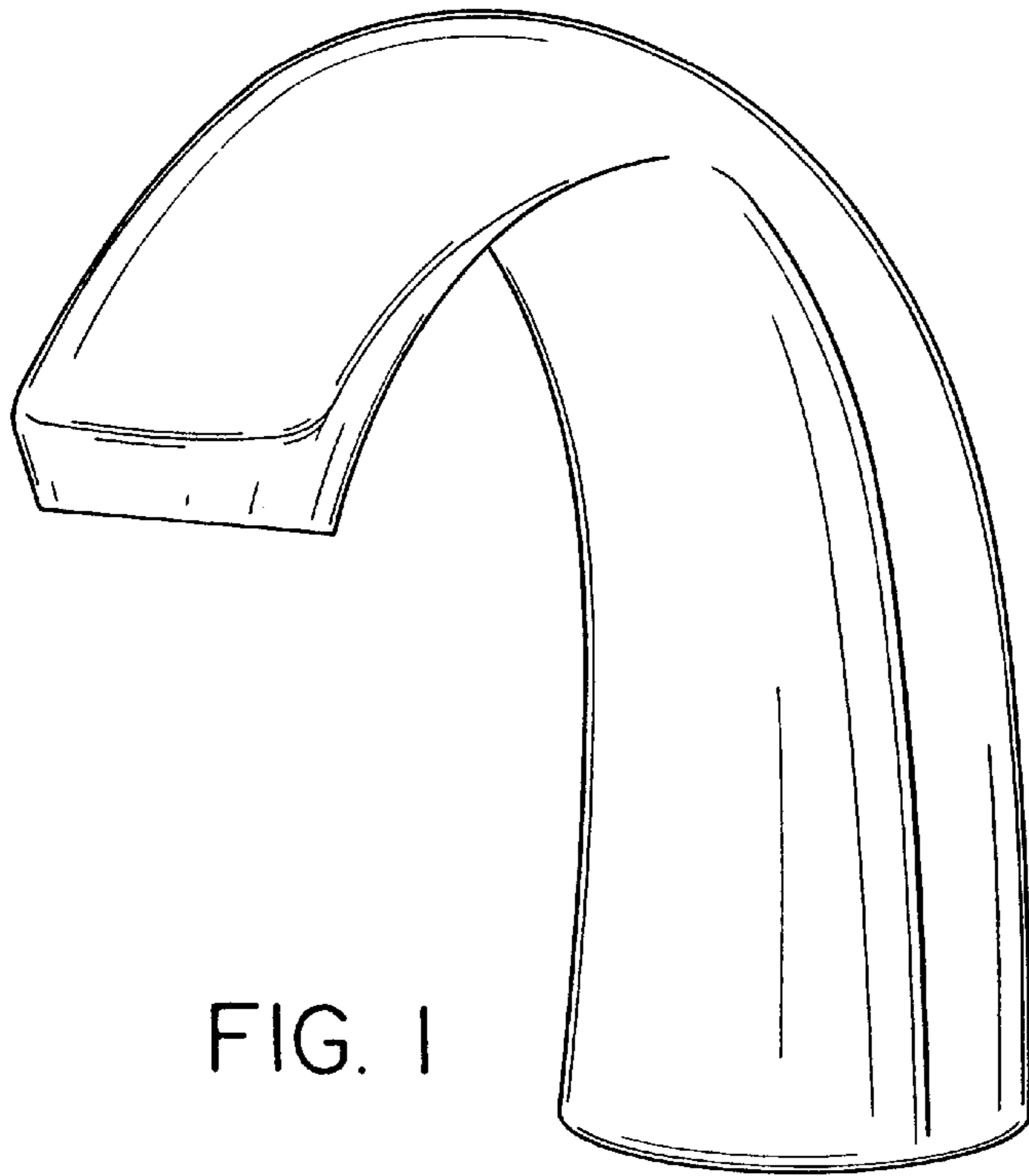


FIG. 1

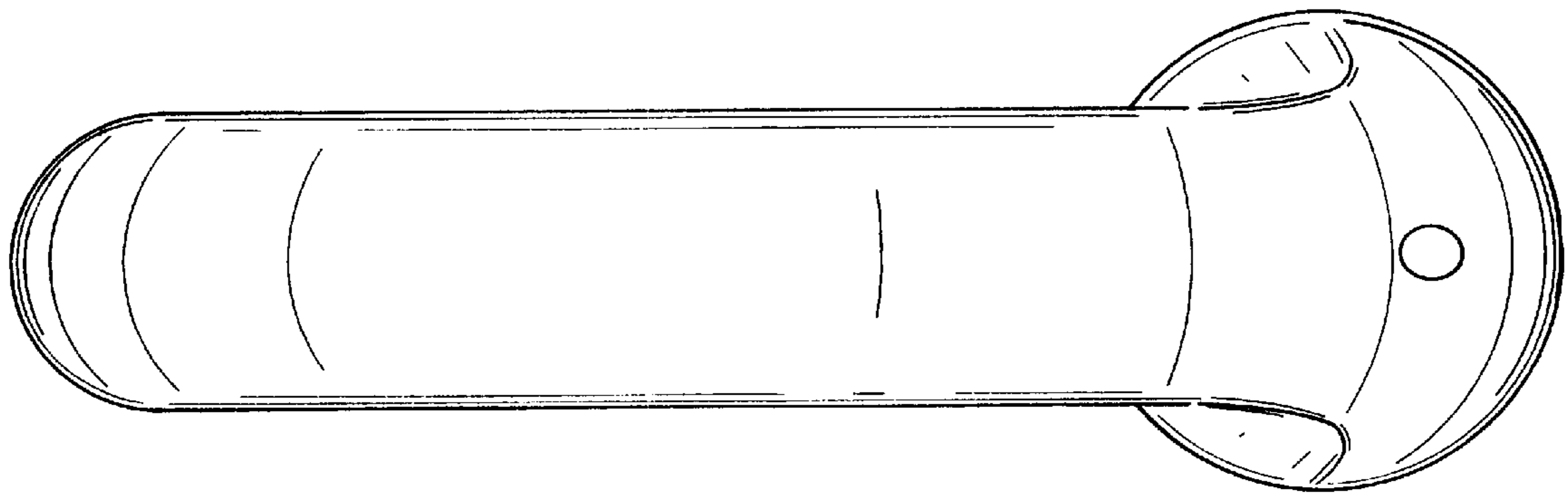


FIG. 2

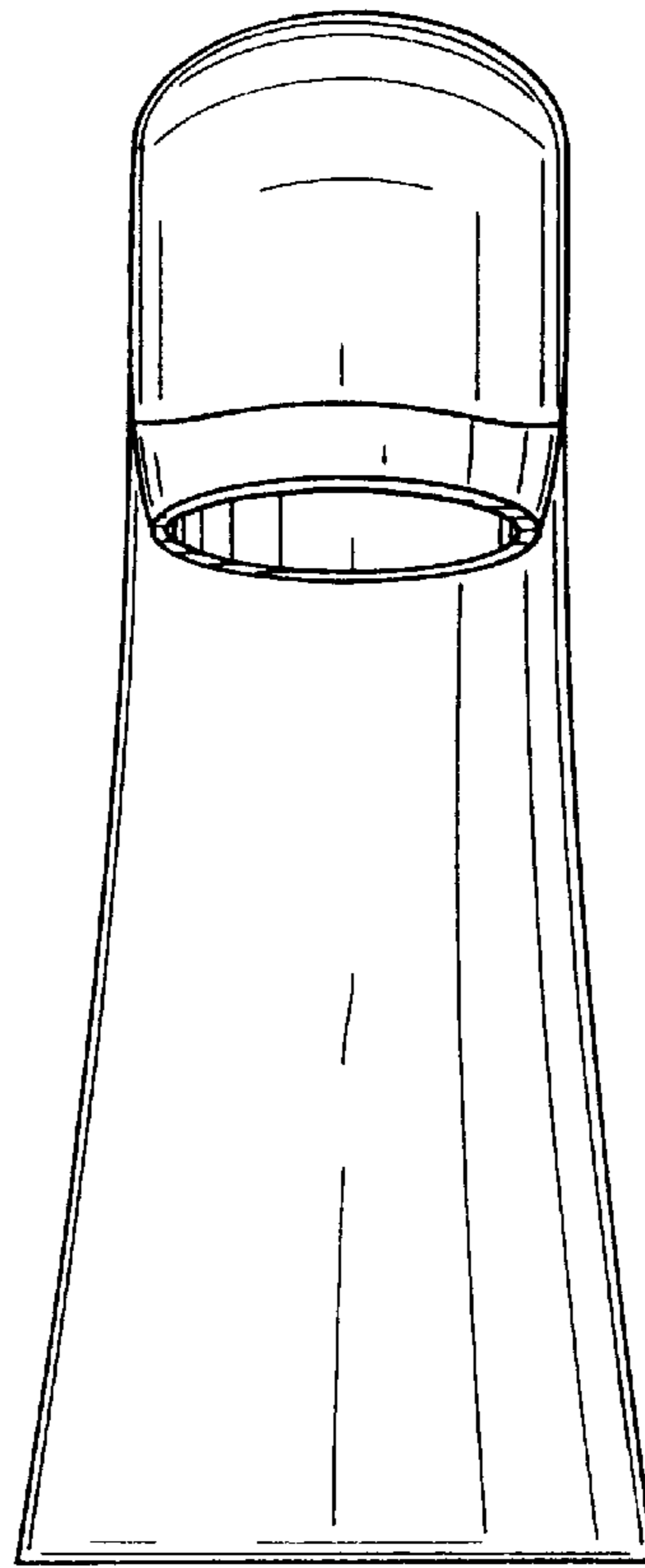


FIG. 3

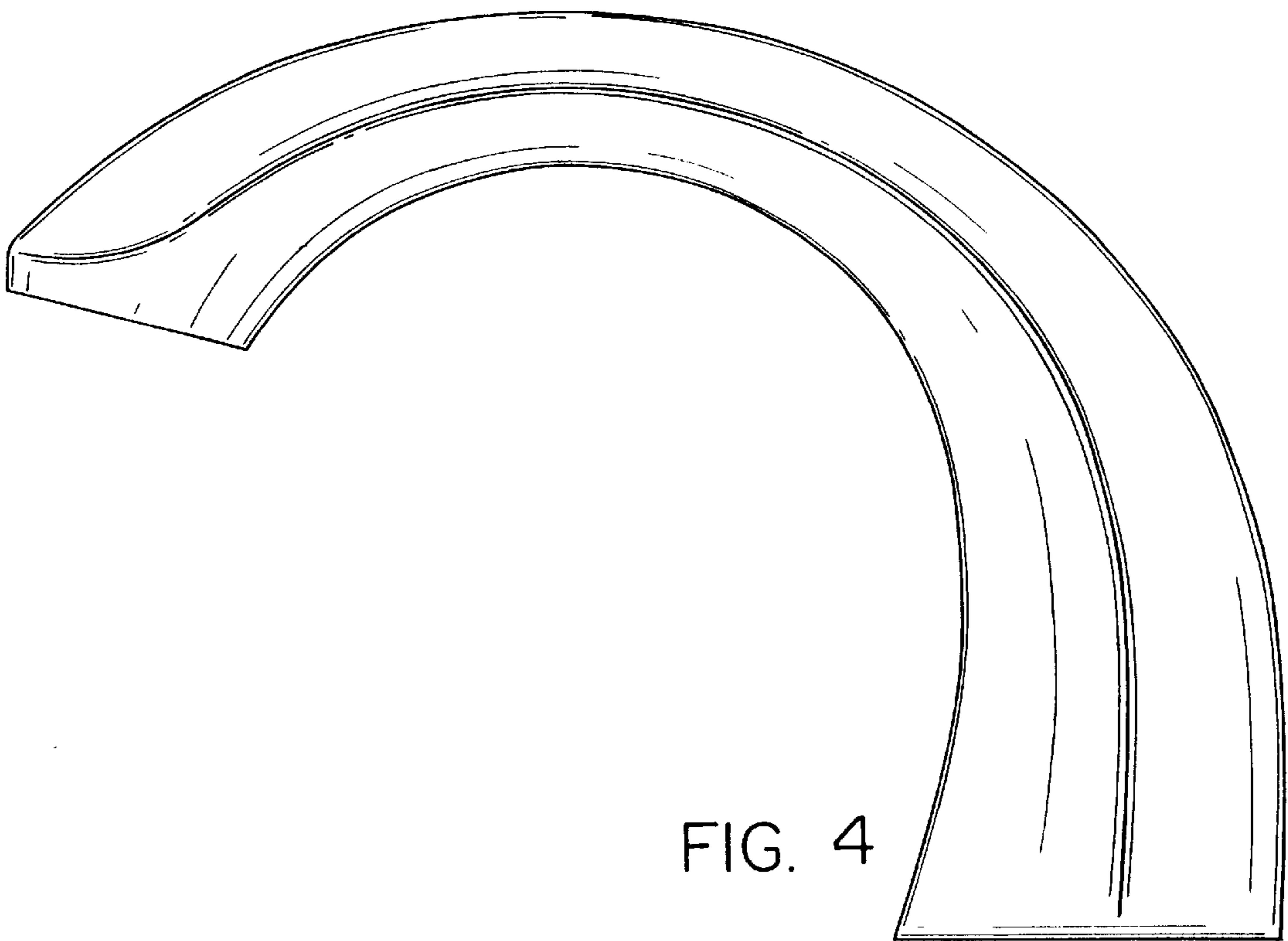


FIG. 4

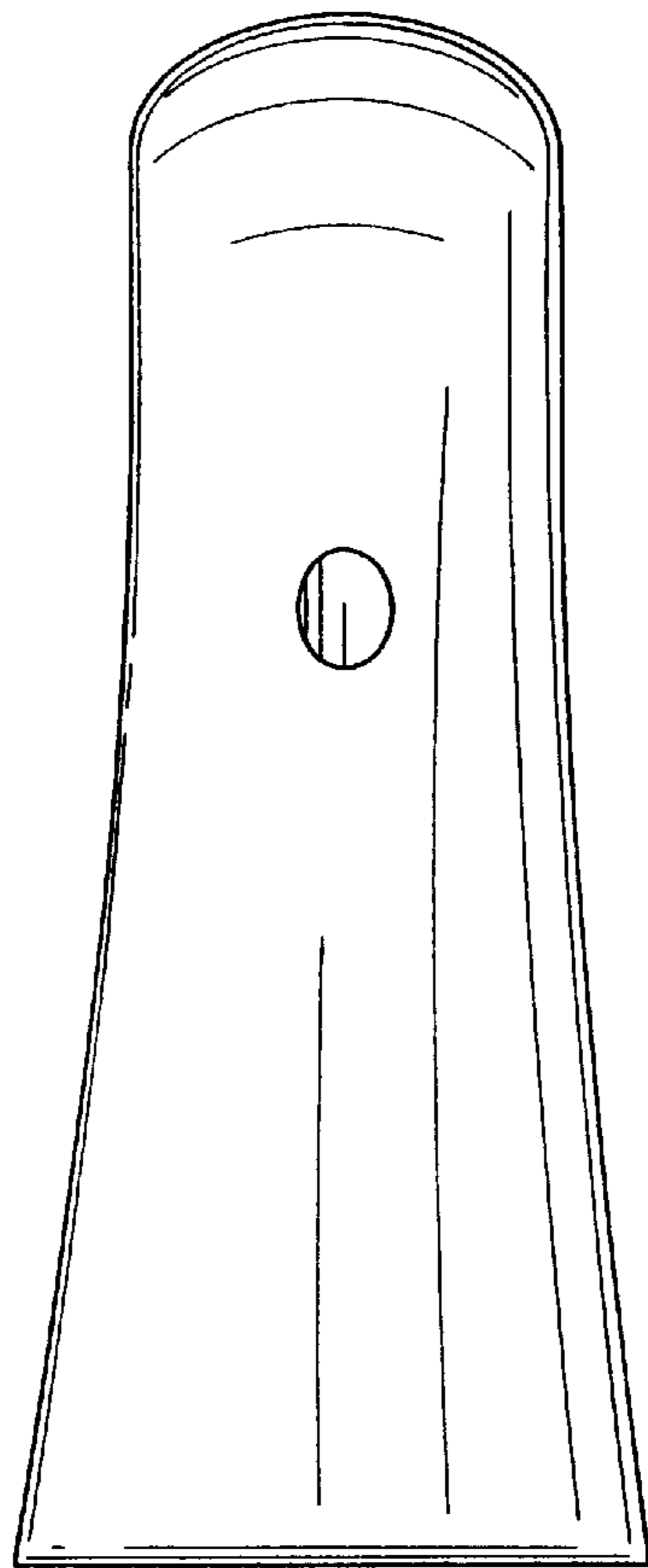


FIG. 5

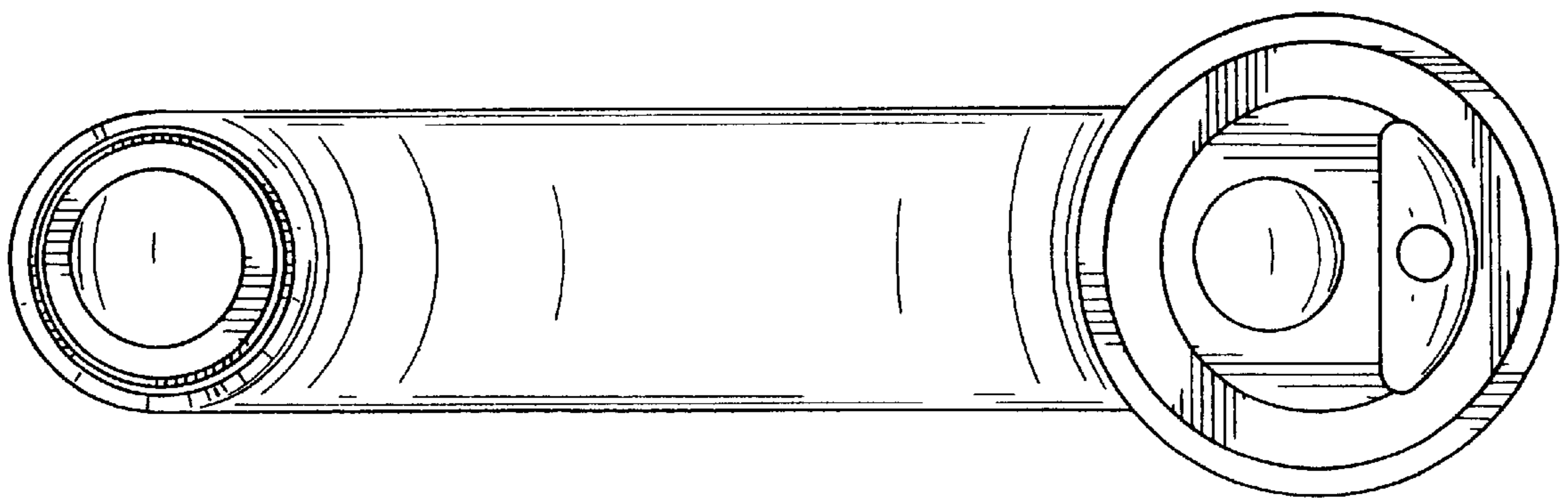


FIG. 6