



US00D405164S

United States Patent [19] Lord

[11] **Patent Number: Des. 405,164**

[45] **Date of Patent: **Feb. 2, 1999**

[54] **FAUCET**

3,202,181 8/1965 West .
4,804,010 2/1989 Meissenburg .

[75] **Inventor: Judd A. Lord, Carmel, Ind.**

OTHER PUBLICATIONS

[73] **Assignee: Masco Corporation of Indiana, Indianapolis, Ind.**

Sweet's Catalog File (1980).
Kohler pp. 3-36 (admitted prior art).
Delta Full Line Catalog—The Way Water is Brought to Life (1992).
Delta Full Line Price List (admitted prior art).
Euroexclusive: Euromodular (1987).
Delta HDF Catalog (Commercial Products) (1987).
Best (admitted prior art).
Moen—Enduring Elegance (admitted prior art).
Delta Full Line Catalog—Living with Classics (admitted prior art).
Moen—Fifty Years of Faucet Innovation (admitted prior art).

[**] **Term: 14 Years**

[21] **Appl. No.: 80,339**

[22] **Filed: Dec. 4, 1997**

[51] **LOC (6) Cl. 23-01**

[52] **U.S. Cl. D23/255**

[58] **Field of Search D23/238-243,
D23/250-257; 4/675-678; 137/801**

[56] **References Cited**

U.S. PATENT DOCUMENTS

- D. 140,557 12/1945 Stanitz .
- D. 193,885 10/1962 Andrews .
- D. 197,000 11/1963 Landell .
- D. 203,246 12/1965 Harvey et al. .
- D. 213,874 4/1969 Landell .
- D. 219,779 1/1971 Tiller .
- D. 235,546 6/1975 Landell D23/241
- D. 253,799 1/1980 Saporito et al. .
- D. 293,362 12/1987 Hill et al. D23/241
- D. 296,461 6/1988 Yost D23/241
- D. 297,357 8/1988 Spangler .
- D. 297,358 8/1988 Hill .
- D. 363,534 10/1995 Hill et al. .
- D. 363,535 10/1995 Hill et al. .
- D. 364,211 11/1995 Hill et al. .
- D. 364,212 11/1995 Hill et al. .
- D. 365,142 12/1995 Hill et al. .
- D. 367,697 3/1996 Haug et al. .
- D. 367,698 3/1996 Haug et al. .
- D. 367,917 3/1996 Haug et al. .
- D. 367,918 3/1996 Haug et al. .
- D. 368,956 4/1996 Haug et al. .
- D. 380,252 6/1997 Abel D23/241
- D. 381,404 7/1997 Doughty et al. D23/241
- 3,035,612 5/1962 Lyon .

Primary Examiner—Louis S. Zarfes
Assistant Examiner—Eric Watterson
Attorney, Agent, or Firm—Myron B. Kapustij; Leon E. Redman

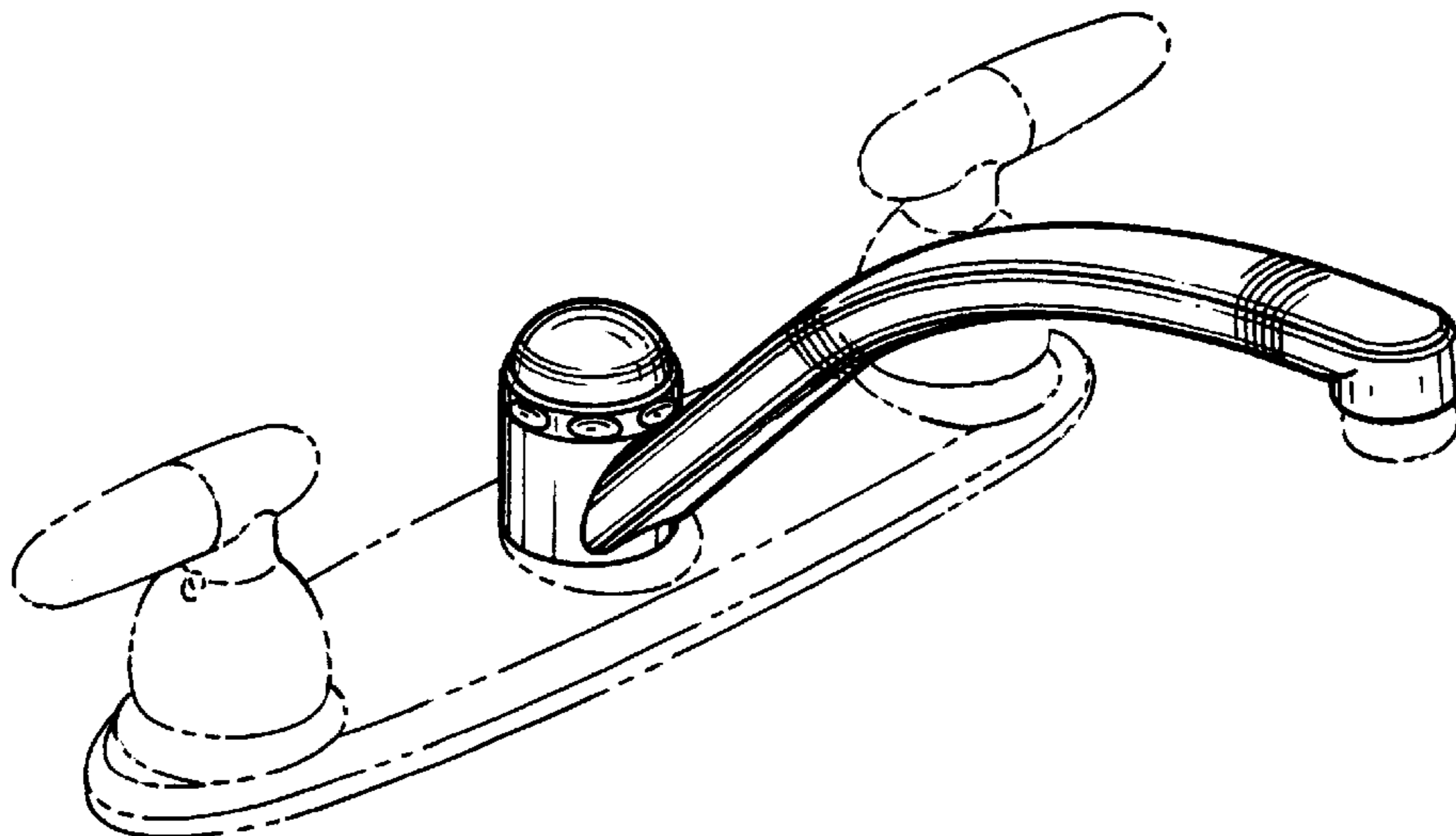
[57] **CLAIM**

The ornamental design for a faucet, as shown and described.

DESCRIPTION

FIG. 1 is a front perspective view of a faucet showing my new design;
FIG. 2 is a rear perspective view thereof;
FIG. 3 is a top plan view thereof;
FIG. 4 is a front elevational view thereof;
FIG. 5 is a right side elevational view thereof, the left side being a mirror image;
FIG. 6 is a rear elevational view thereof; and,
FIG. 7 is a bottom plan view thereof.
The broken line showings of the aerator in FIGS. 1-2, 4-5 and 7, of the handles in FIGS. 1-7, and of the escutcheon in FIGS. 1-7 are for purposes of illustration only and form no part of the claimed design.

1 Claim, 4 Drawing Sheets



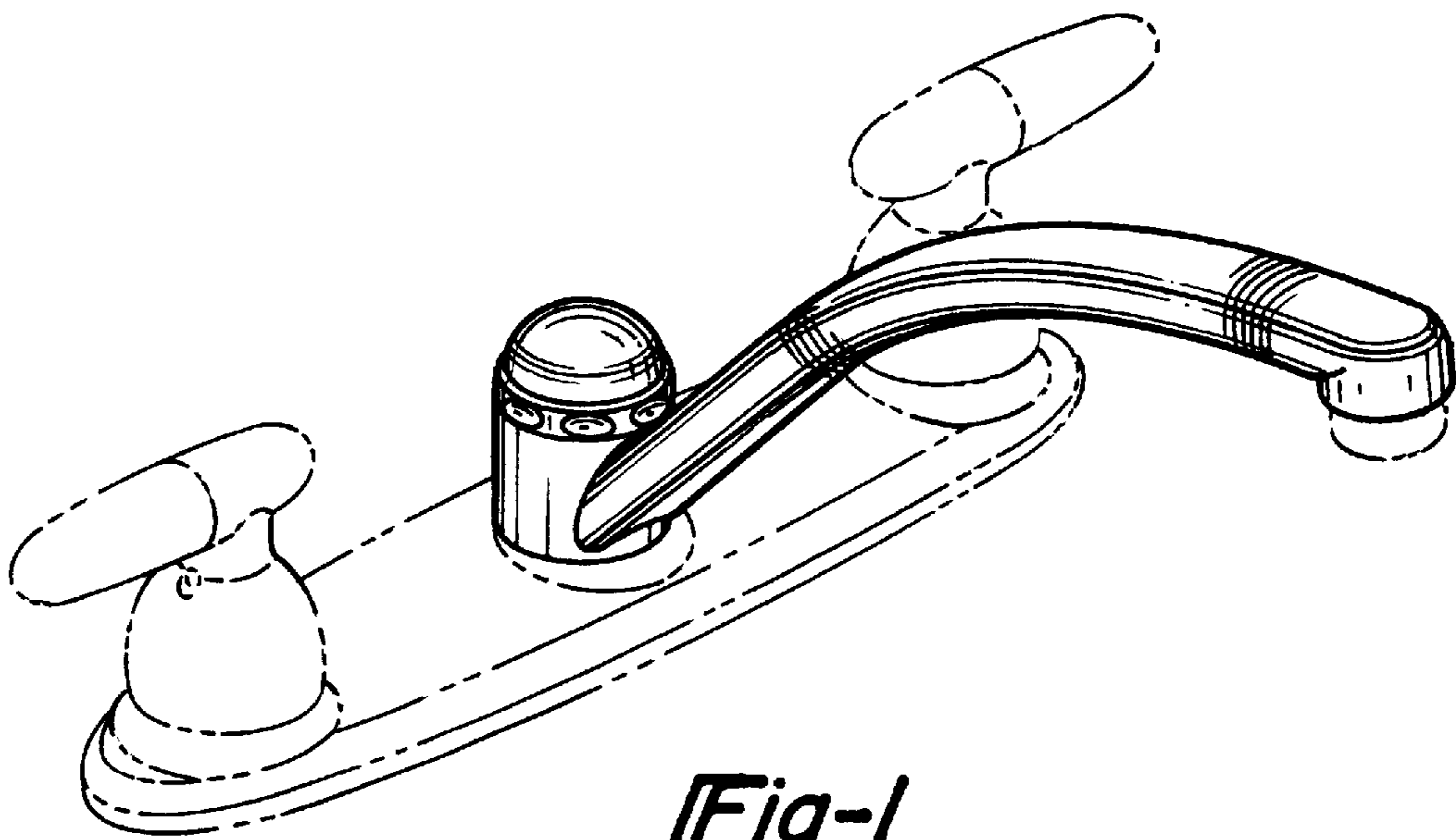


Fig-1

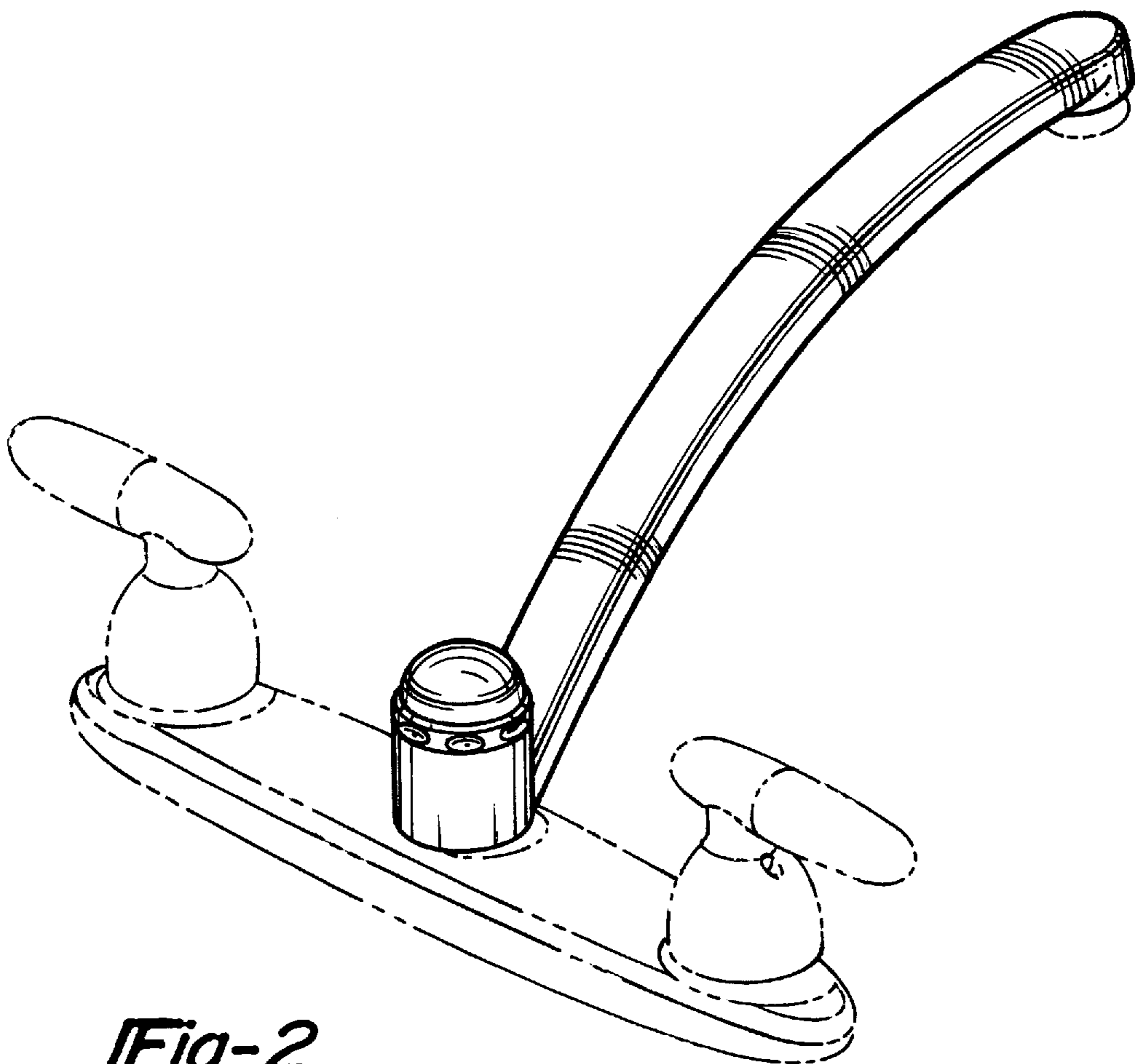


Fig-2

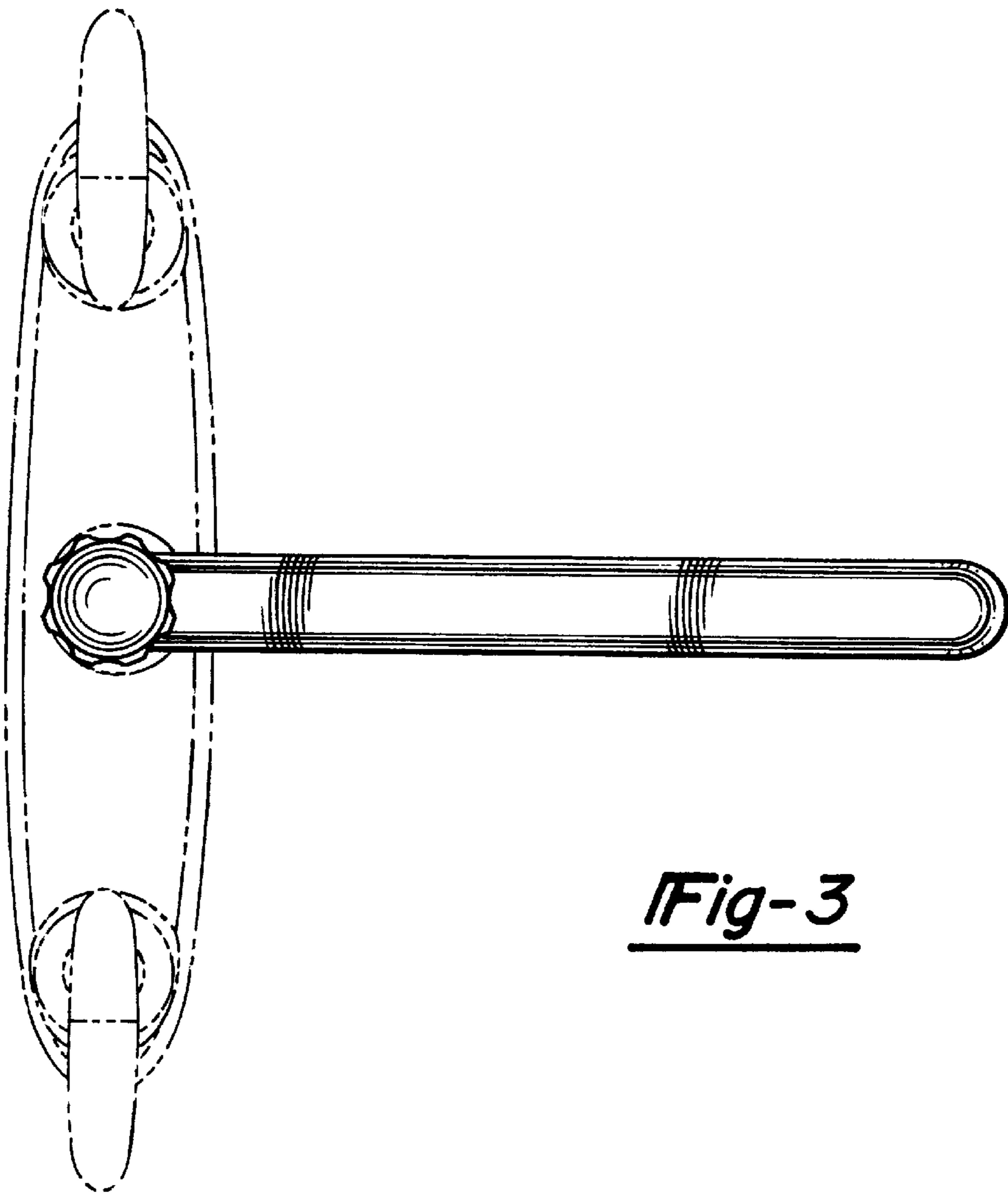


Fig-3

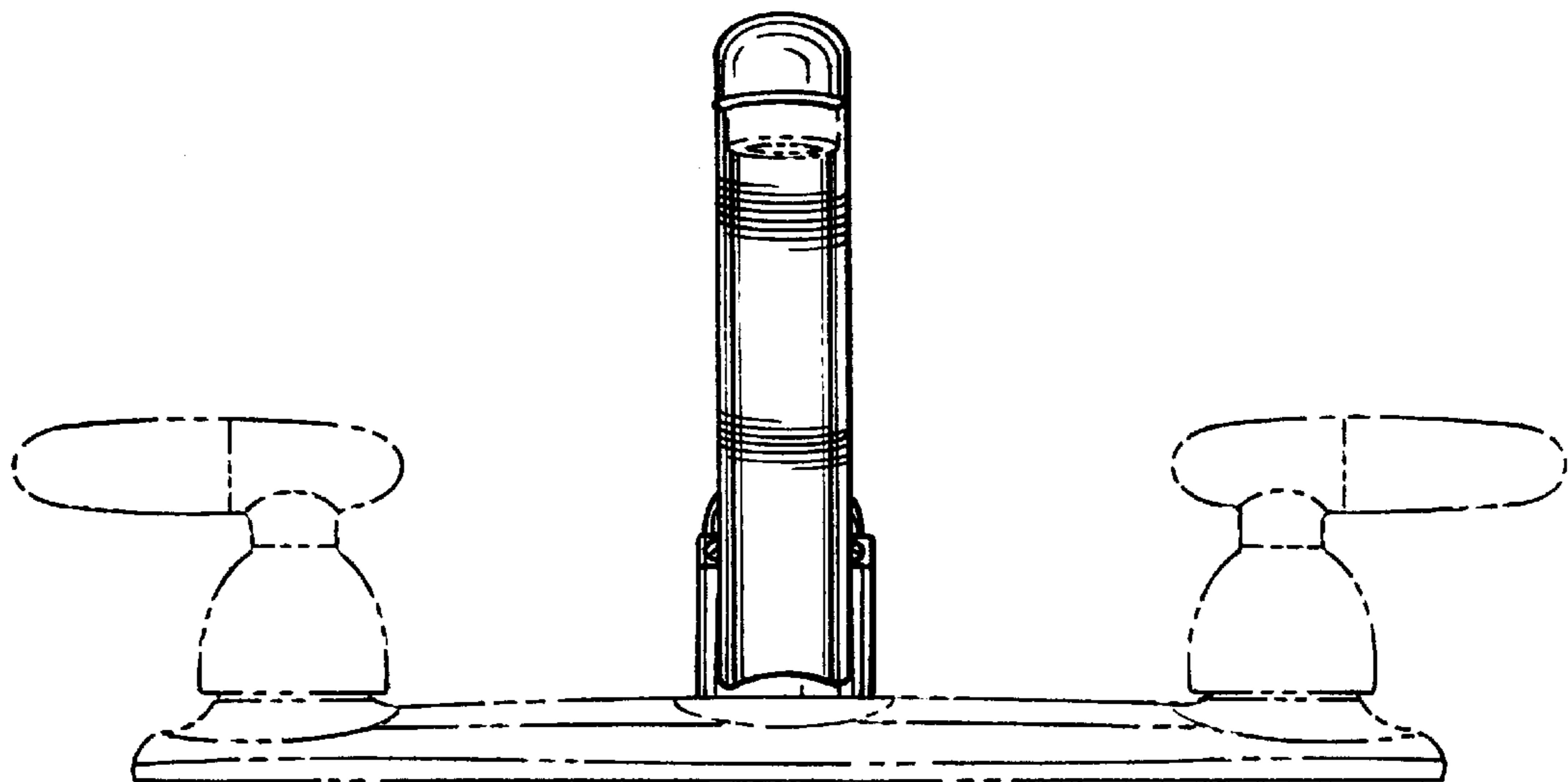


Fig-4

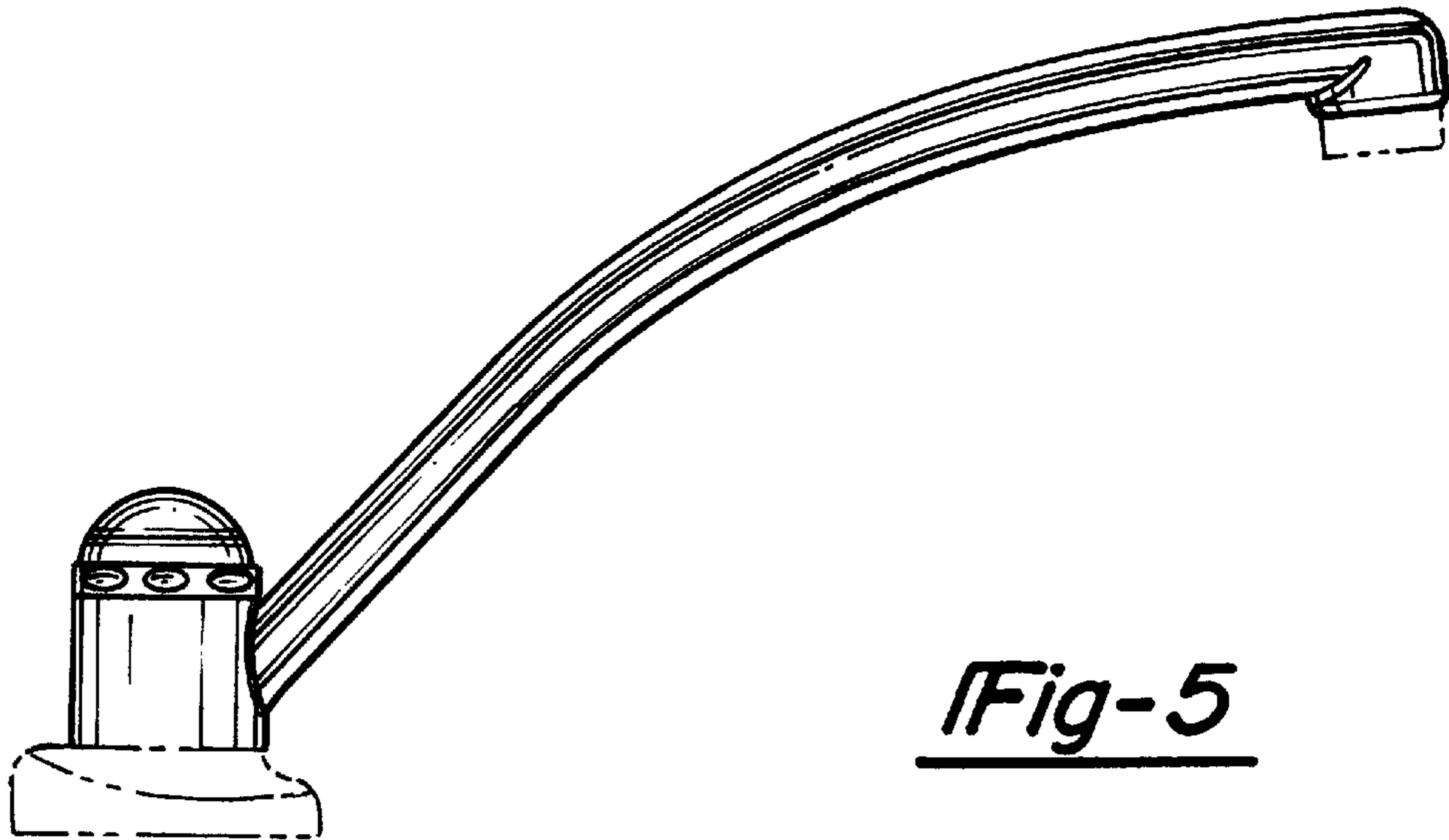


Fig-5

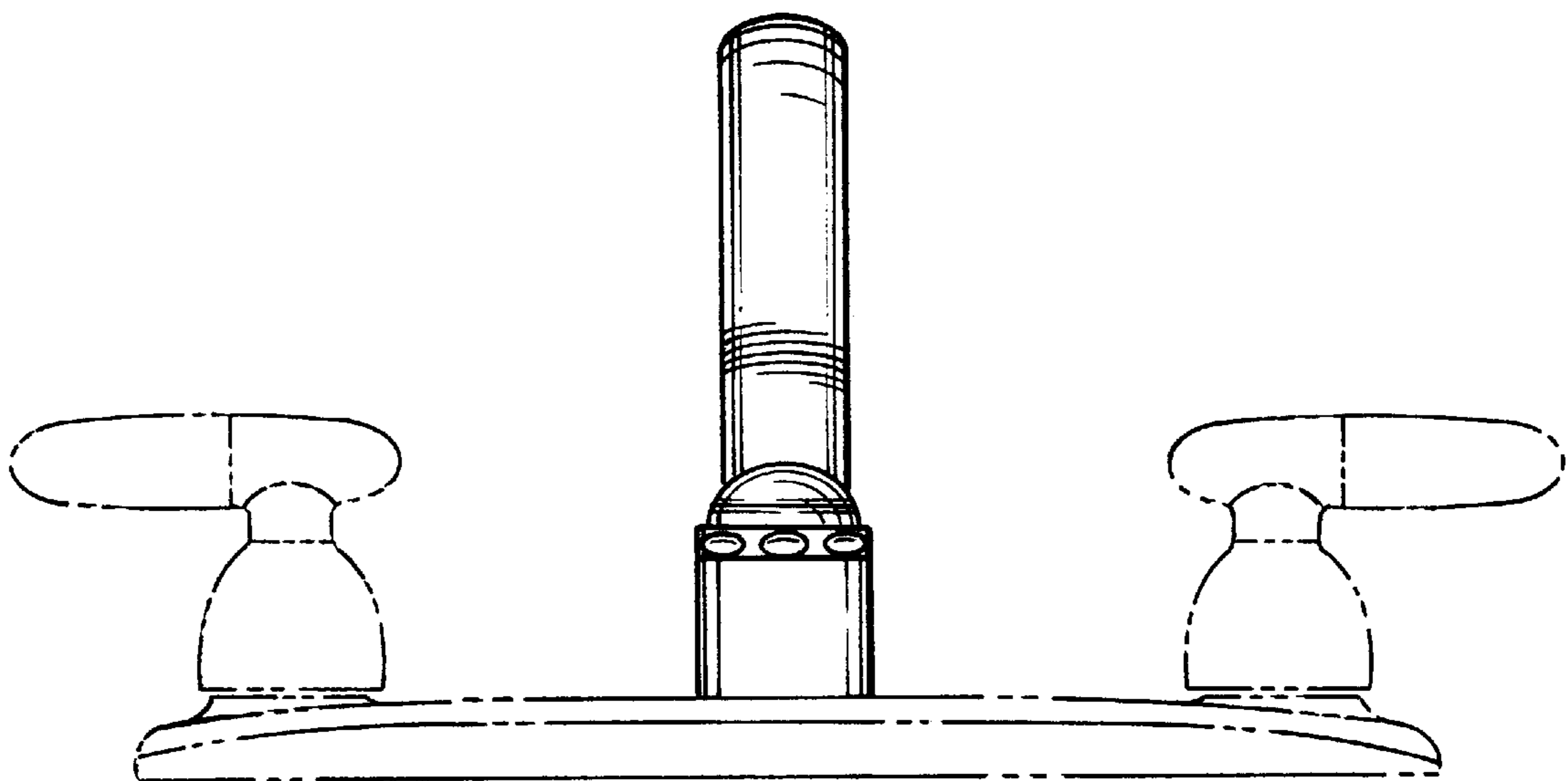


Fig-6

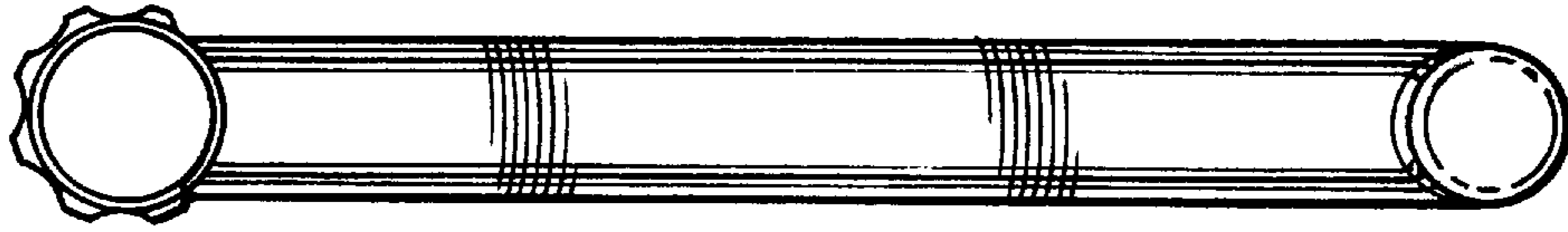


Fig-7