



US00D405162S

United States Patent [19]

Doughty et al.

[11] Patent Number: **Des. 405,162**

[45] Date of Patent: ****Feb. 2, 1999**

[54] HANDLE HUB

[75] Inventors: **Frederic C. Doughty**, South Pasadena;
Darren M. Mark, Valencia, both of Calif.

[73] Assignee: **Emhart Inc.**, Newark, Del.

[**] Term: **14 Years**

[21] Appl. No.: **72,407**

[22] Filed: **Jun. 16, 1997**

[51] **LOC (6) Cl.** **23-01**

[52] **U.S. Cl.** **D23/250; D23/303**

[58] **Field of Search** D23/238-243,
D23/250-257; D8/300-310, 382, 394, 397,
399; 4/675-678; 137/801; D21/52

[56] References Cited

U.S. PATENT DOCUMENTS

D. 76,904	11/1928	Smith	D23/254
D. 76,995	11/1928	Fraser	D23/254
D. 126,074	3/1941	Judell et al.	.	
D. 163,236	5/1951	Young	.	
D. 208,428	8/1967	Holliday	D8/397
D. 208,429	8/1967	Holliday	D8/397
D. 295,320	4/1988	Carlo et al.	D8/397
D. 320,162	9/1991	Sorenson	D8/397 X
D. 371,956	7/1996	Steffes	D8/397 X
2,096,602	11/1937	Weingarten	.	
3,084,349	4/1963	Sundblad et al.	.	

OTHER PUBLICATIONS

The Architectural Record, Speakman Showers & Fixtures, Modern Diamond Design, May 1936, p. 53.

Primary Examiner—Louis S. Zarfes
Assistant Examiner—Eric Watterson
Attorney, Agent, or Firm—Harold Weinstein

[57] CLAIM

The ornamental design for handle hub, as shown and described.

DESCRIPTION

FIG. 1 is a perspective view of our new design of a handle hub;

FIG. 2 is a front elevational view of our new design of the handle hub, a rear elevational view thereof being a mirror image of the front elevational view;

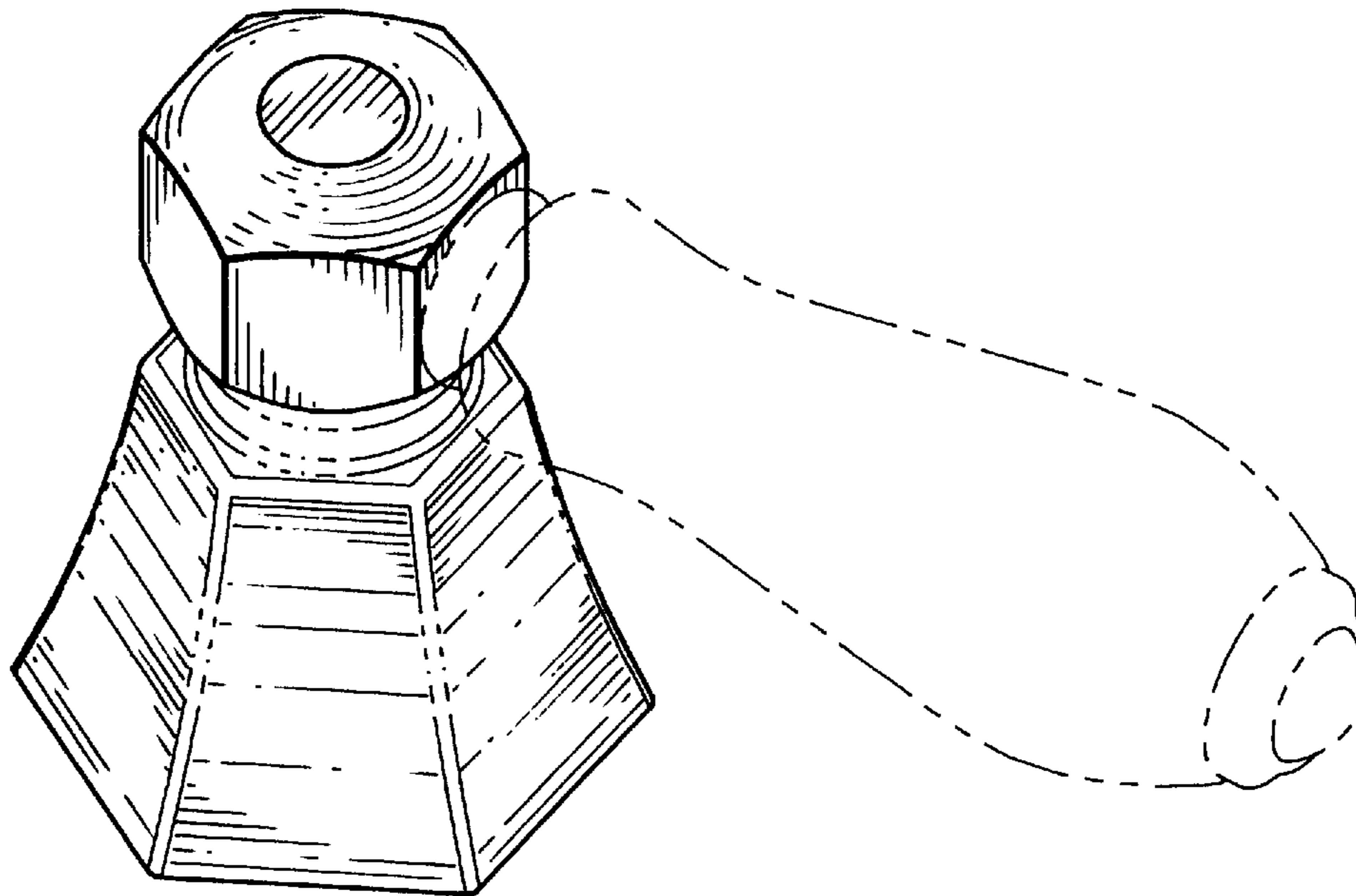
FIG. 3 is a right side elevational view of our new design of the handle hub, a left side view thereof being a mirror image of the right side elevational view;

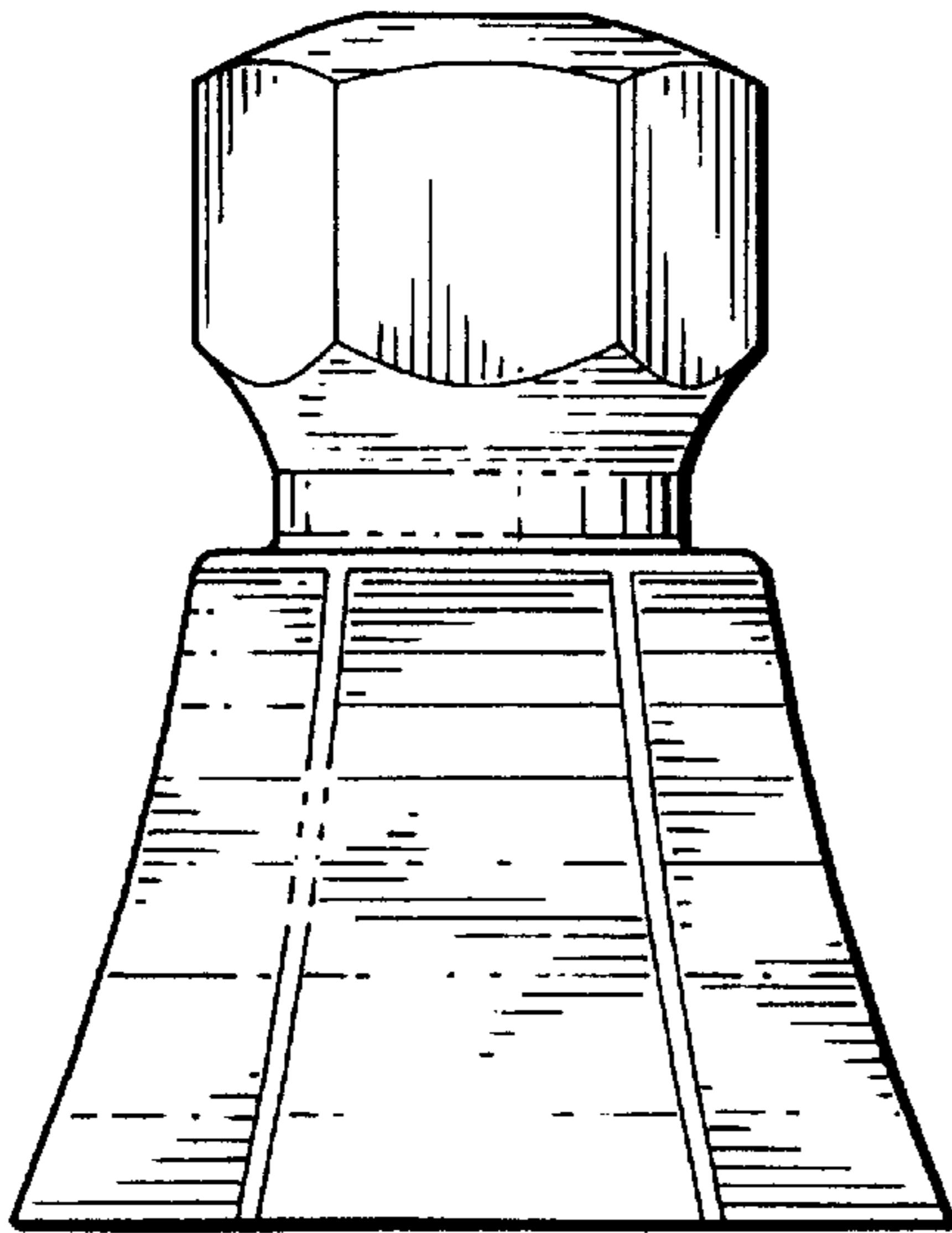
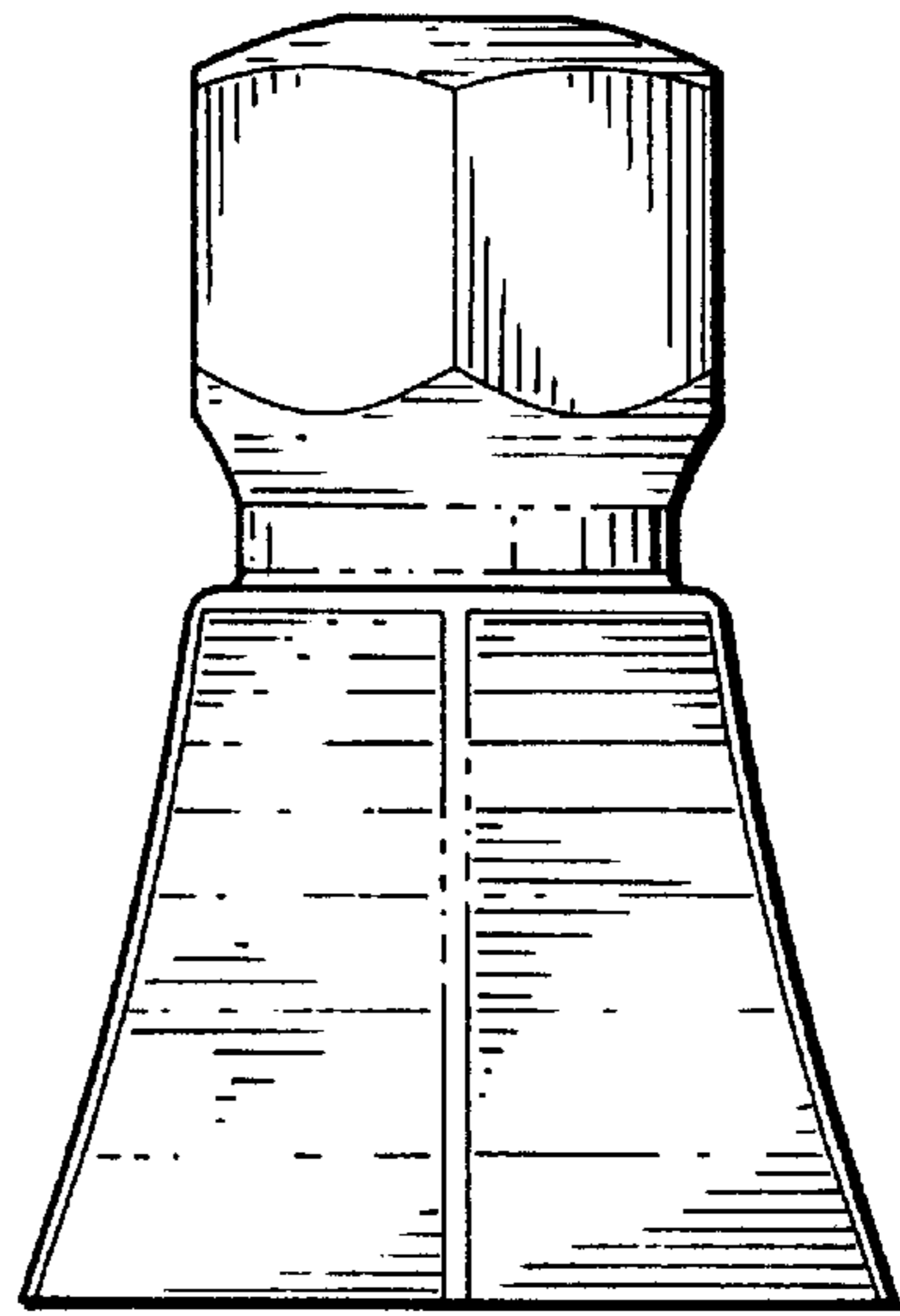
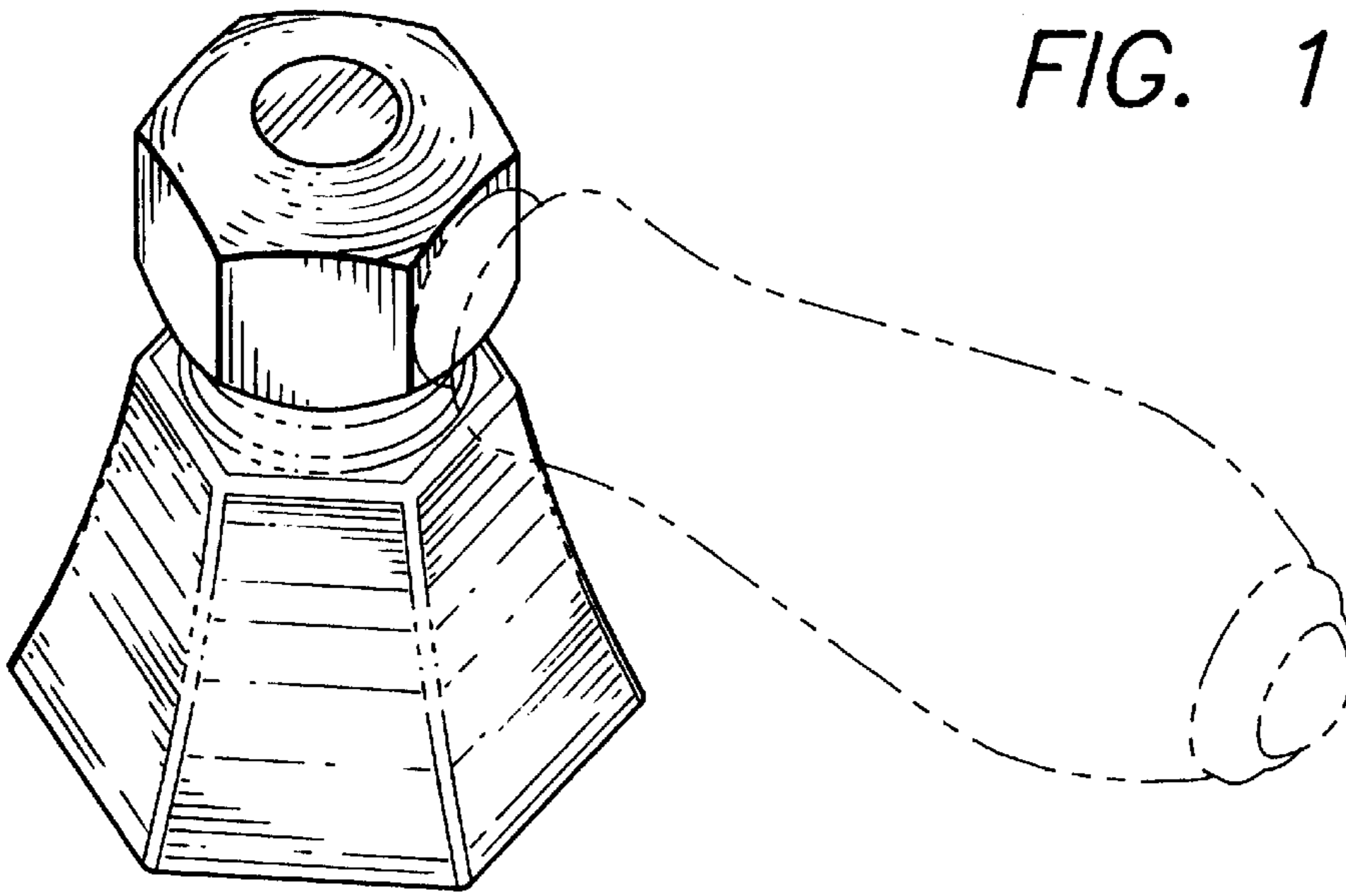
FIG. 4 is a top plan view of our new design of the handle hub; and,

FIG. 5 is a bottom plan view of our new design of the handle hub.

The broken line representation of a lever handle shown in FIG. 1 is for illustrative purposes only and forms no part of the claimed design.

1 Claim, 2 Drawing Sheets





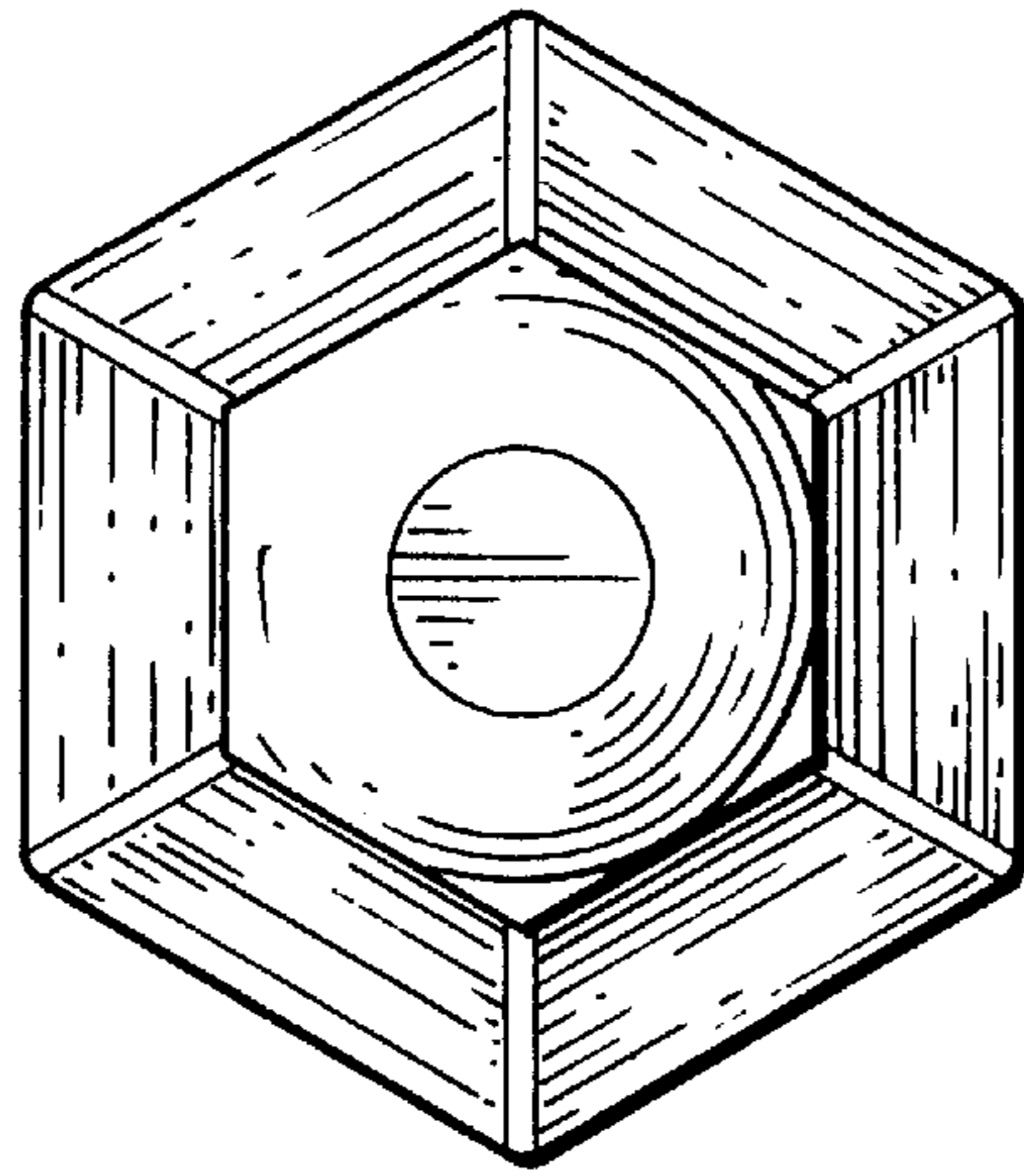


FIG. 4

FIG. 5

