



US00D405161S

# United States Patent [19] Kolada

[11] **Patent Number: Des. 405,161**

[45] **Date of Patent: \*\*Feb. 2, 1999**

[54] **FAUCET BODY**

D. 387,416 12/1997 Chin ..... D23/241

[75] Inventor: **Paul P. Kolada**, Bexley, Ohio

### OTHER PUBLICATIONS

[73] Assignee: **Symmons Industries, Inc.**, Braintree, Mass.

Peerless Catalog—Model 8200 (one sheet believed to be circa 1984).

Delta Faucet Full Line Catalog, Living With Classics, (one sheet—undated but admitted prior art).

[\*] Notice: The term of this patent shall not extend beyond the expiration date of Pat. No. D. 403,749.

Symmons TEMPTROL Kitchen Models, (four sheets—undated but admitted prior art).

[\*\*] Term: **14 Years**

*Primary Examiner*—Louis S. Zarfes

*Assistant Examiner*—Eric Watterson

*Attorney, Agent, or Firm*—Pandiscio & Pandiscio

[21] Appl. No.: **66,400**

[22] Filed: **Feb. 12, 1997**

### [57] CLAIM

The ornamental design for a faucet body, as shown and described.

[51] **LOC (6) Cl.** ..... **23-01**

[52] **U.S. Cl.** ..... **D23/243**

[58] **Field of Search** ..... D23/238–243,  
D23/250–257; 4/675–678; 137/801

### DESCRIPTION

FIG. 1 is a right side view of a faucet body that incorporates my new design;

FIG. 2 is a left side view of the same faucet body;

FIG. 3 is a top view of the same faucet body;

FIG. 4 is a bottom view of the same faucet body;

FIG. 5 is a front view of the same faucet body;

FIG. 6 is a rear view of the same faucet body; and,

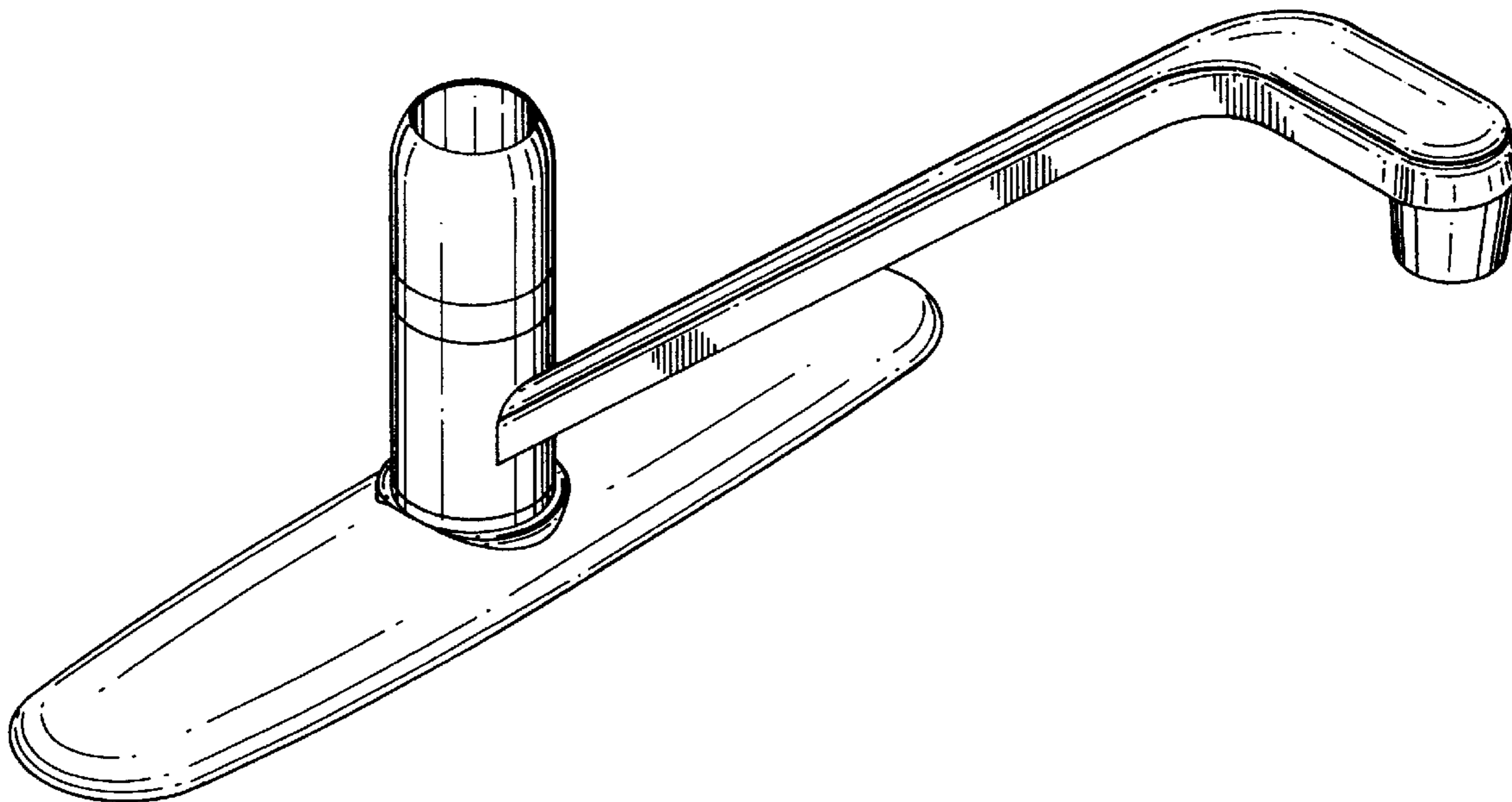
FIG. 7 is a perspective view of the same faucet body.

### [56] References Cited

#### U.S. PATENT DOCUMENTS

D. 291,234	8/1987	Bergmann et al. ....	D23/23
D. 301,162	5/1989	Oberdorfer .....	D23/238
D. 309,655	7/1990	Reinecke .....	D23/238
D. 381,402	7/1997	Doughty et al. ....	D23/241
D. 381,404	7/1997	Doughty et al. ....	D23/241
D. 384,401	9/1997	Doughty et al. ....	D23/241

**1 Claim, 4 Drawing Sheets**



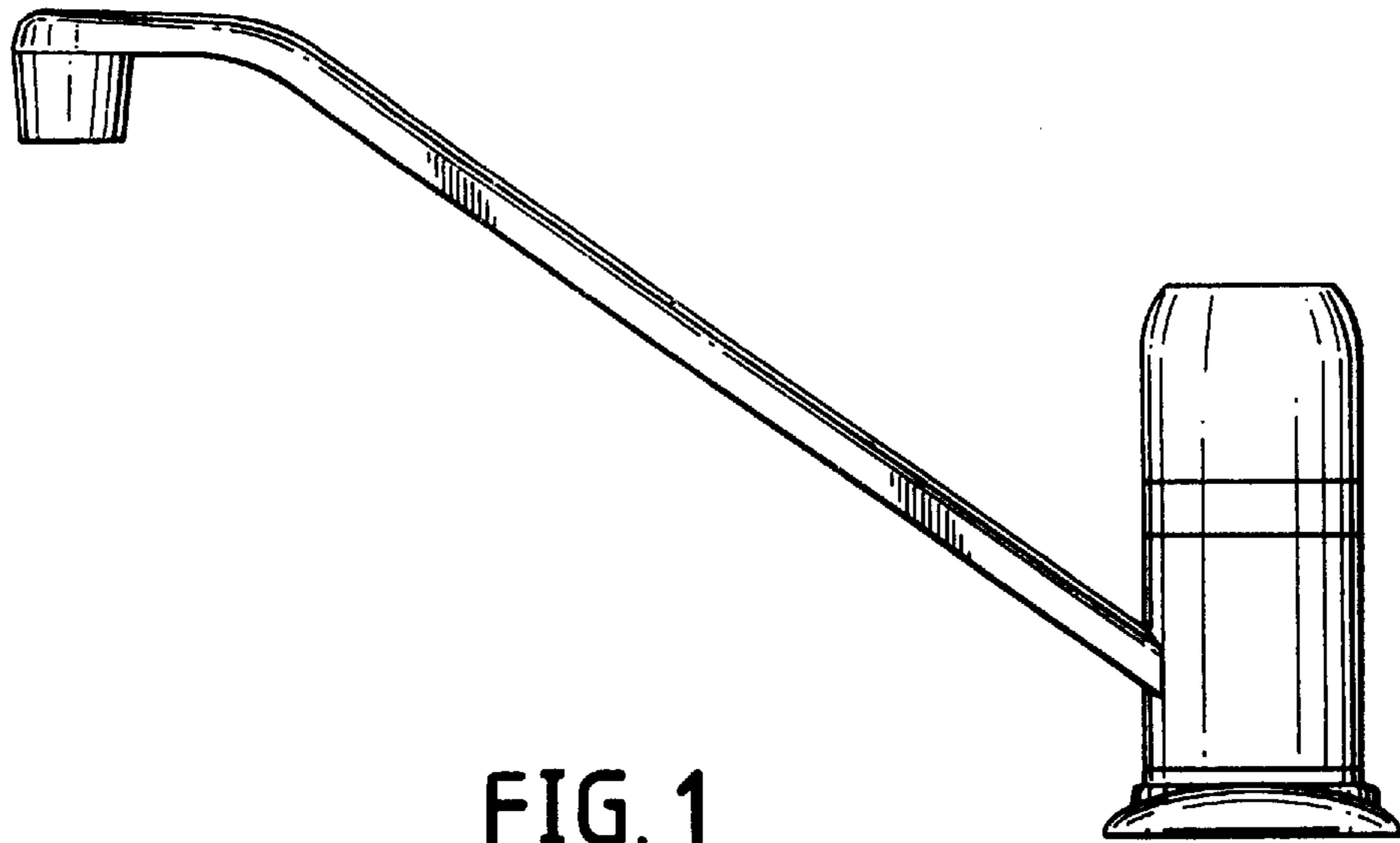


FIG. 1

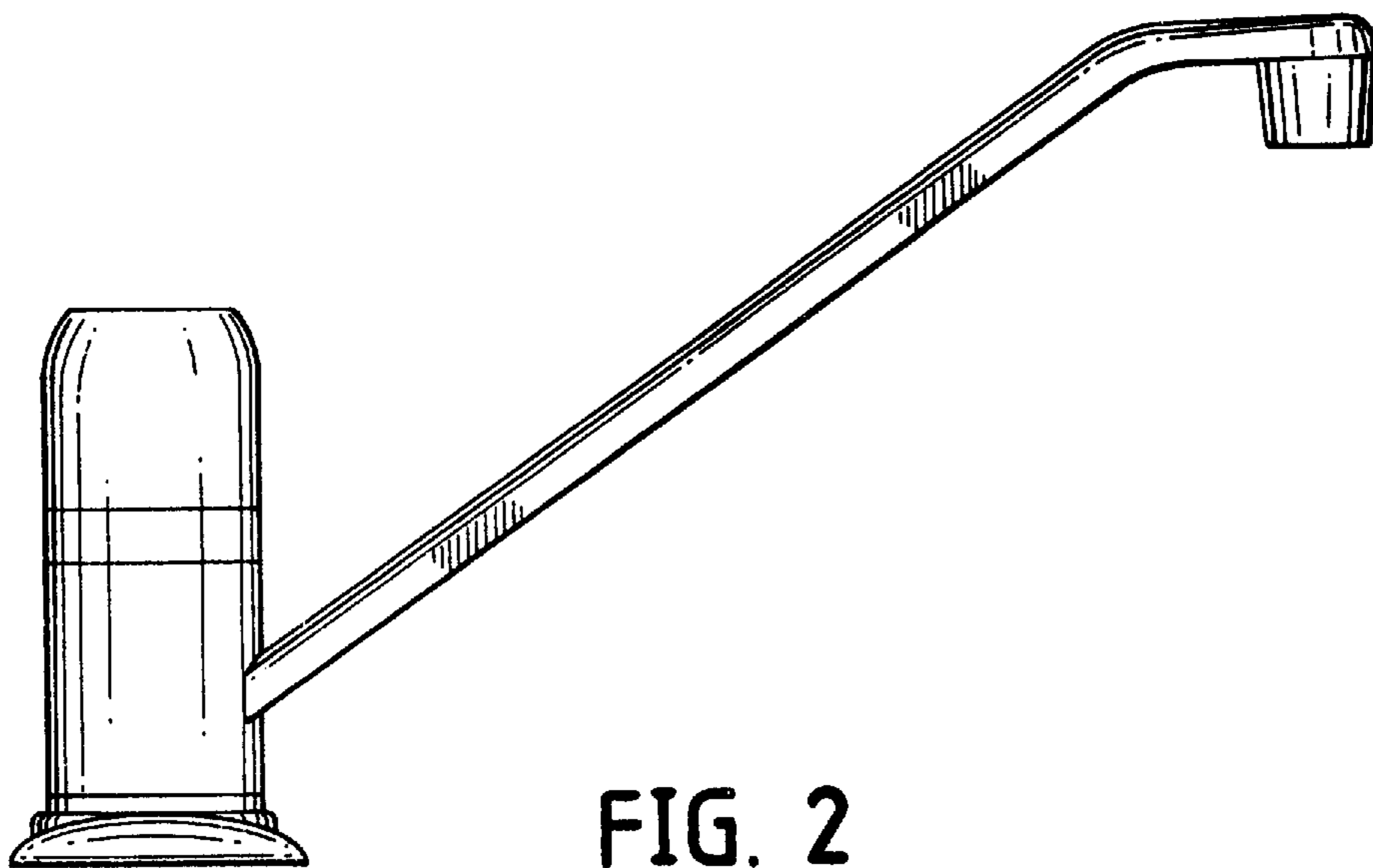


FIG. 2

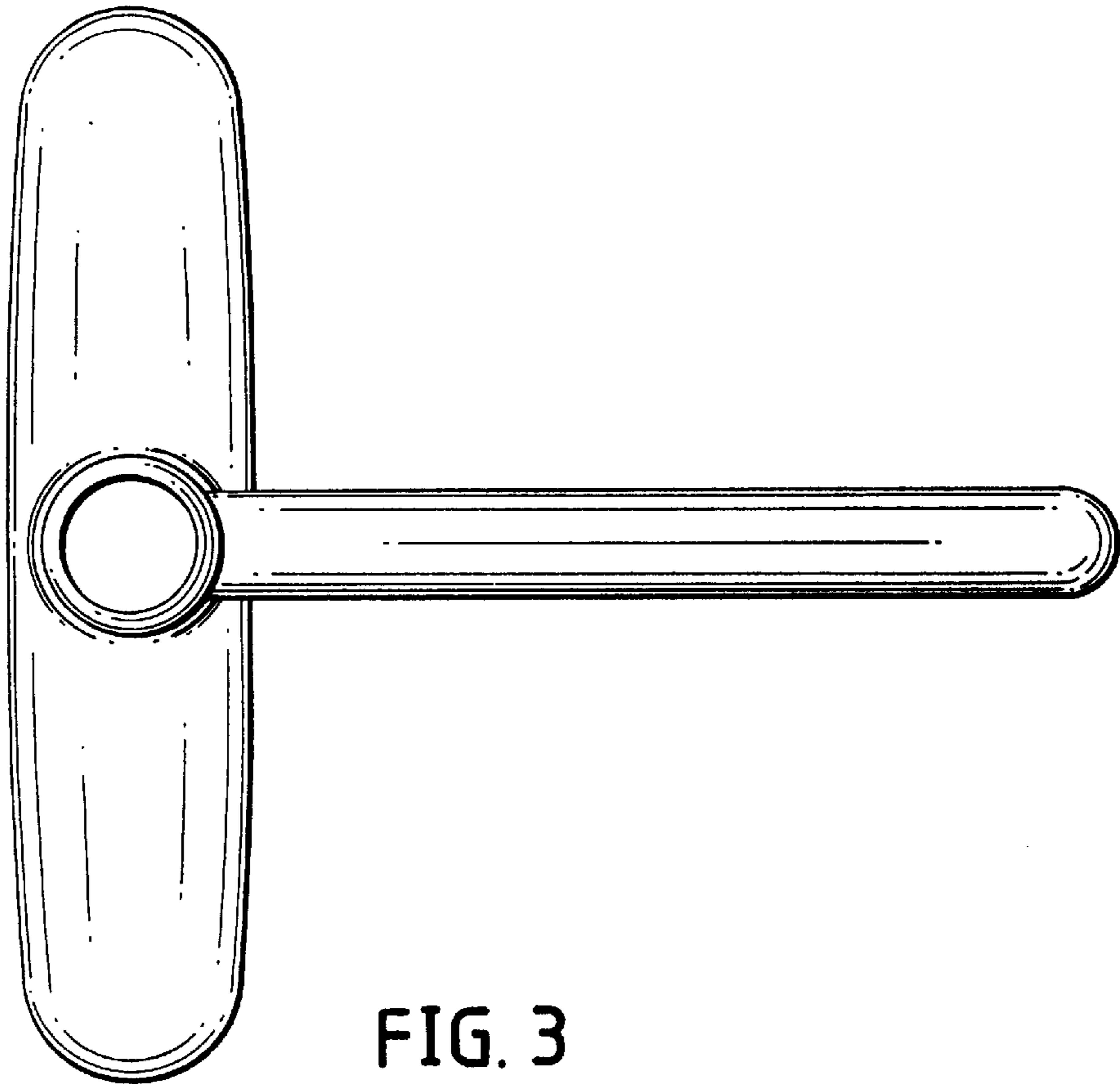


FIG. 3

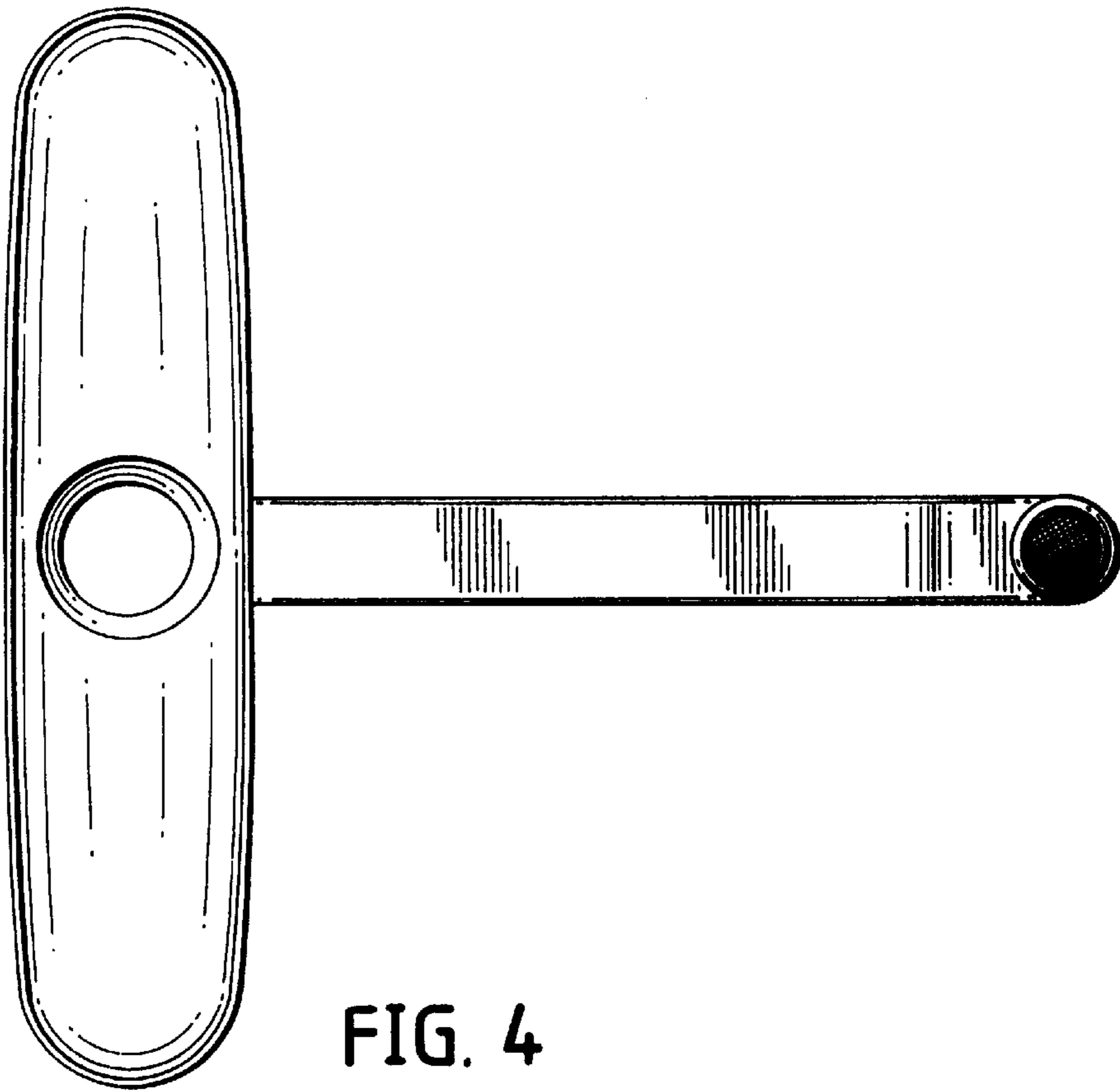


FIG. 4

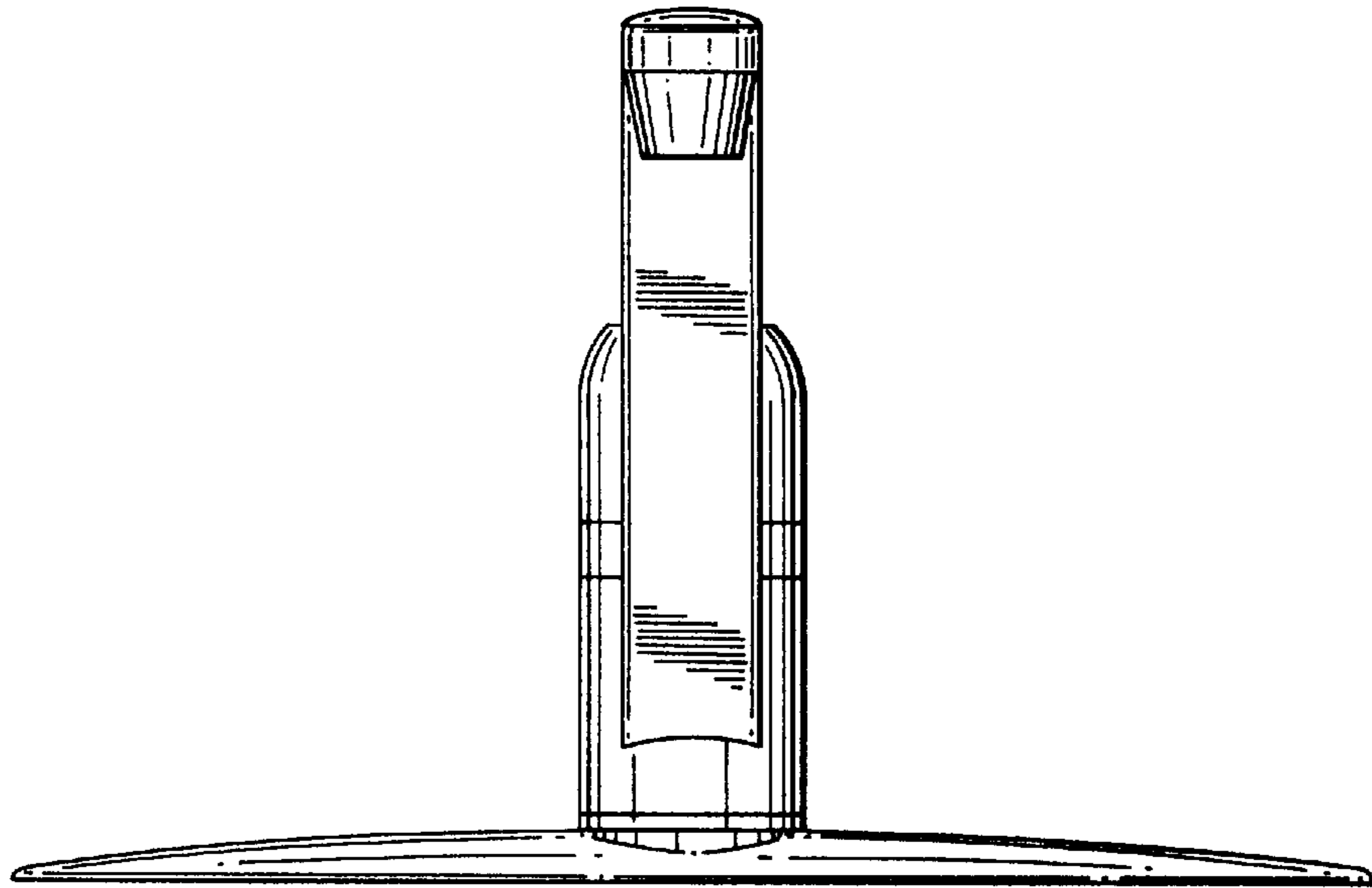


FIG. 5

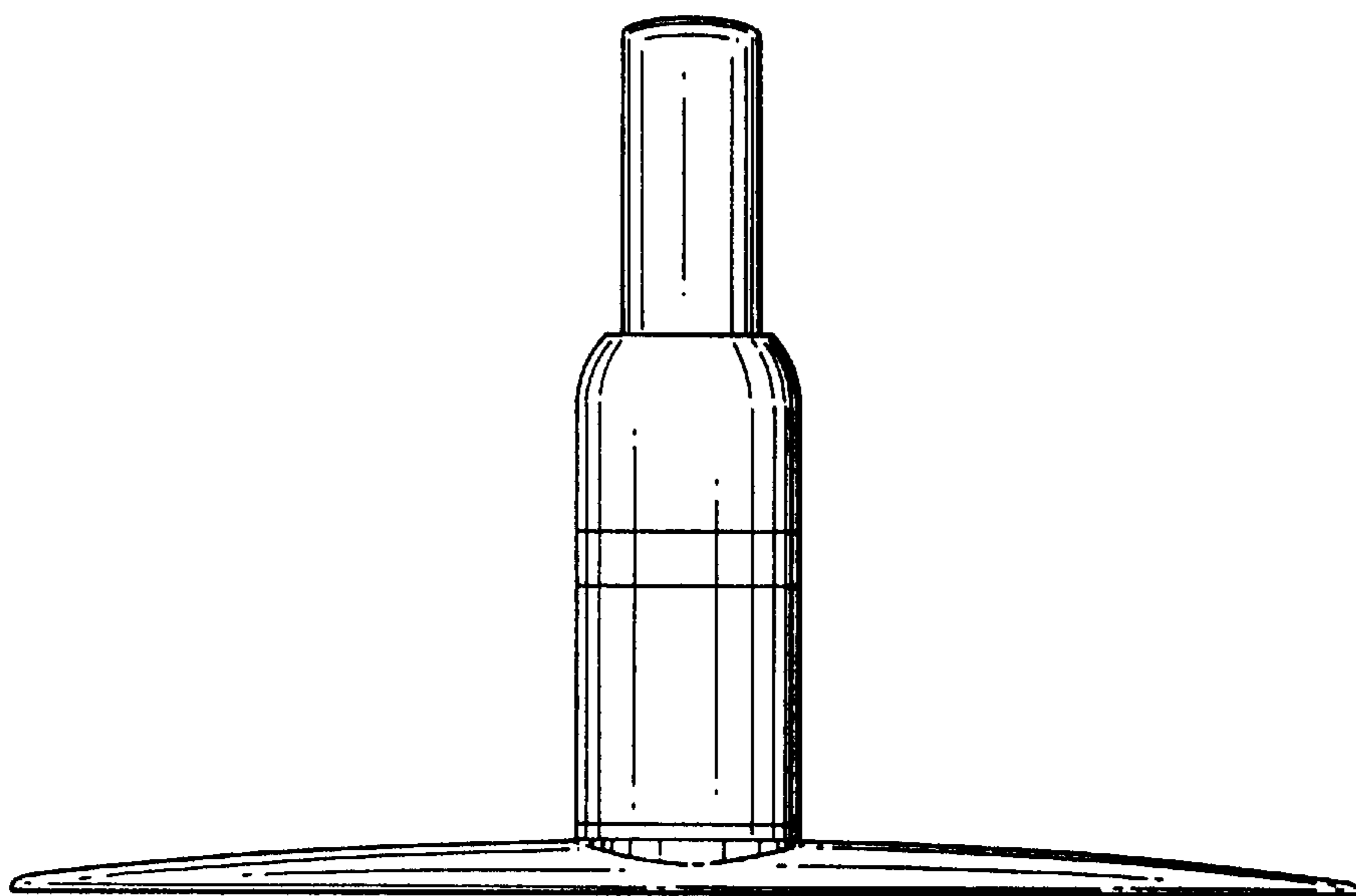


FIG. 6

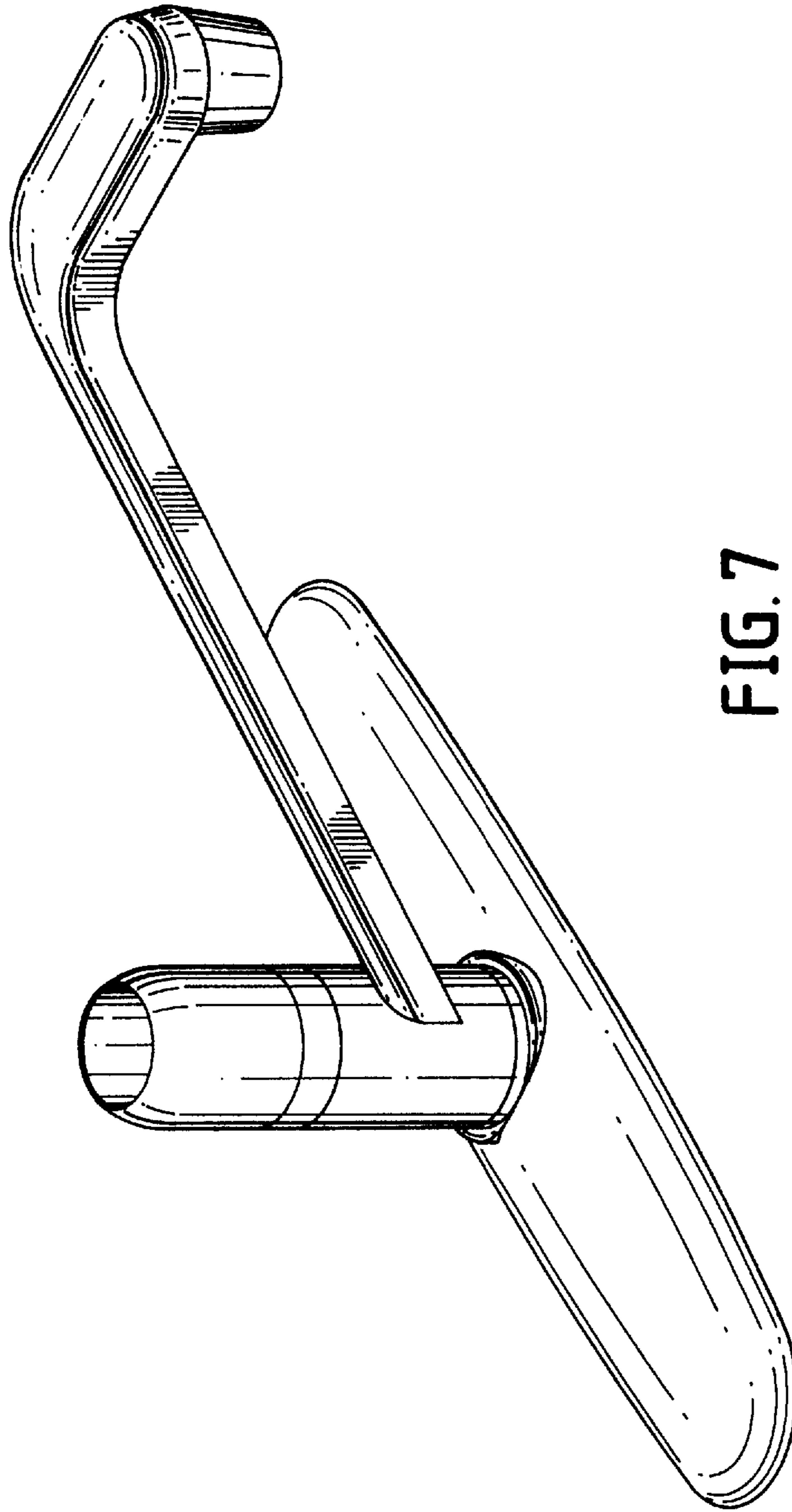


FIG. 7