



US00D405160S

United States Patent [19] Lord

[11] Patent Number: Des. 405,160

[45] Date of Patent: **Feb. 2, 1999

[54] FAUCET

3,202,181 8/1965 West .
4,804,010 2/1989 Meissenburg .

[75] Inventor: Judd A. Lord, Carmel, Ind.

OTHER PUBLICATIONS

[73] Assignee: Masco Corporation of Indiana,
Indianapolis, Ind.

Sweet's Catalog File (1980).
Kohler pp. 3-36.
Delta Full Line Catalog—The Way Water is Brought to Life (1992).
Delta Full Line Price List.
Euroexclusive: Euromodular (1987).
Delta HDF Catalog (Commercial Products) (1987).
Best.
Meon—Enduring Elegance.
Delta Full Line Catalog—Living with Classics.
Moen—Fifty Years of Faucet Innovation.

[**] Term: 14 Years

[21] Appl. No.: 80,559

[22] Filed: Dec. 4, 1997

[51] LOC (6) Cl. 23-01

[52] U.S. Cl. D23/241

[58] Field of Search D23/238-243,
D23/250-257; 4/675-678

Primary Examiner—Louis S. Zarfaz
Assistant Examiner—Eric Watterson
Attorney, Agent, or Firm—Myron B. Kapustij; Leon E. Redman

[56] References Cited

U.S. PATENT DOCUMENTS

- D. 140,557 12/1945 Stanitz .
- D. 193,885 10/1962 Andrews .
- D. 197,000 11/1963 Landell .
- D. 203,246 12/1965 Harvey et al. .
- D. 213,874 4/1969 Landell .
- D. 219,779 1/1971 Tiller .
- D. 235,546 6/1975 Landell D23/241
- D. 253,799 1/1980 Saporito et al. .
- D. 293,362 12/1987 Hill et al. D23/241
- D. 296,461 6/1988 Yost D23/241
- D. 297,357 8/1988 Spangler .
- D. 297,358 8/1988 Hill .
- D. 363,534 10/1995 Hill et al. .
- D. 363,535 10/1995 Hill et al. .
- D. 364,211 11/1995 Hill et al. .
- D. 364,212 11/1995 Hill et al. .
- D. 365,142 12/1995 Hill et al. .
- D. 367,697 3/1996 Haug et al. .
- D. 367,698 3/1996 Haug et al. .
- D. 367,917 3/1996 Haug et al. .
- D. 367,918 3/1996 Haug et al. .
- D. 368,956 4/1996 Haug et al. .
- D. 380,252 6/1997 Abel D23/241
- D. 381,454 7/1997 Doughty et al. D23/241
- 3,035,612 5/1962 Lyon .

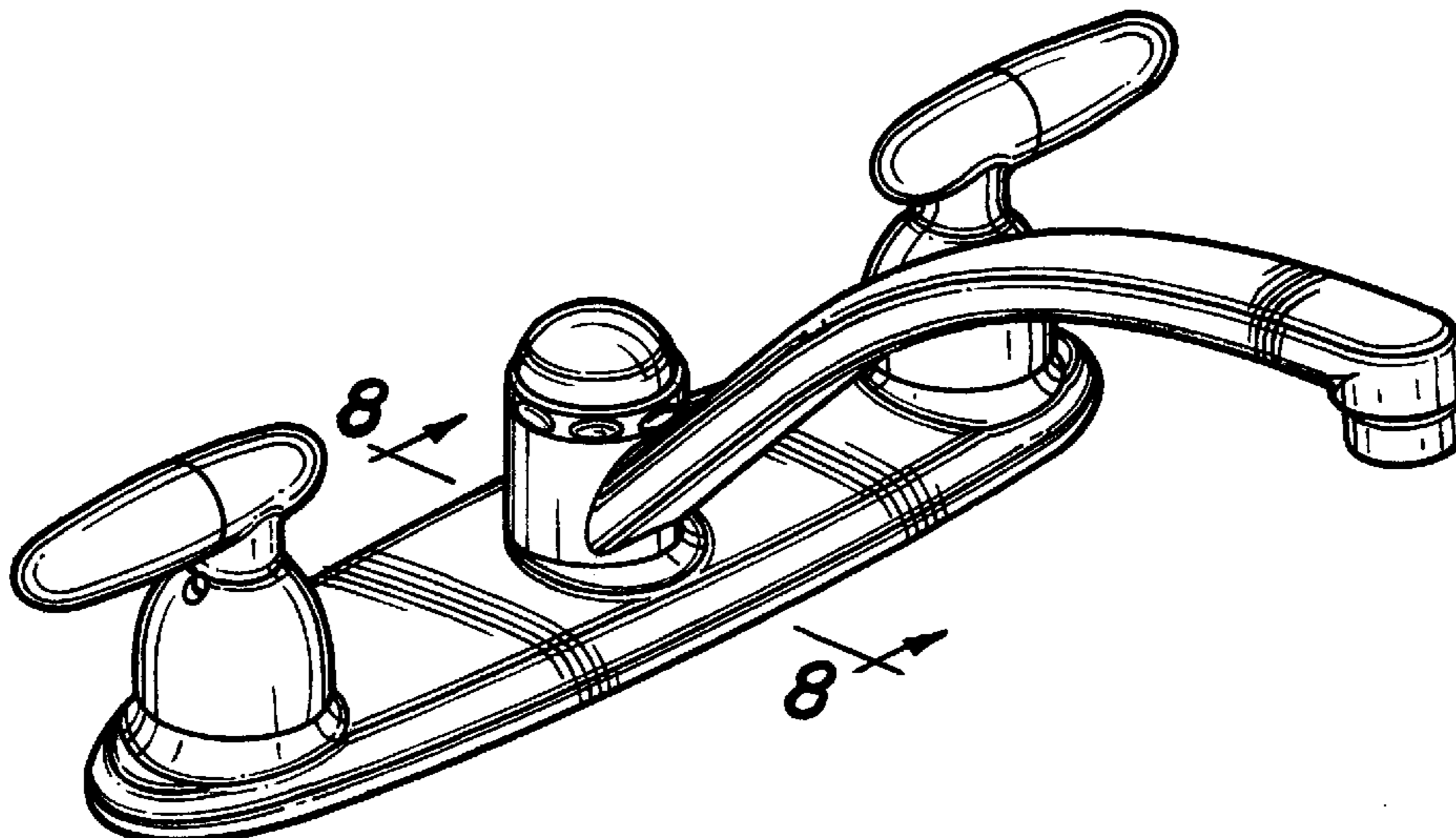
[57] CLAIM

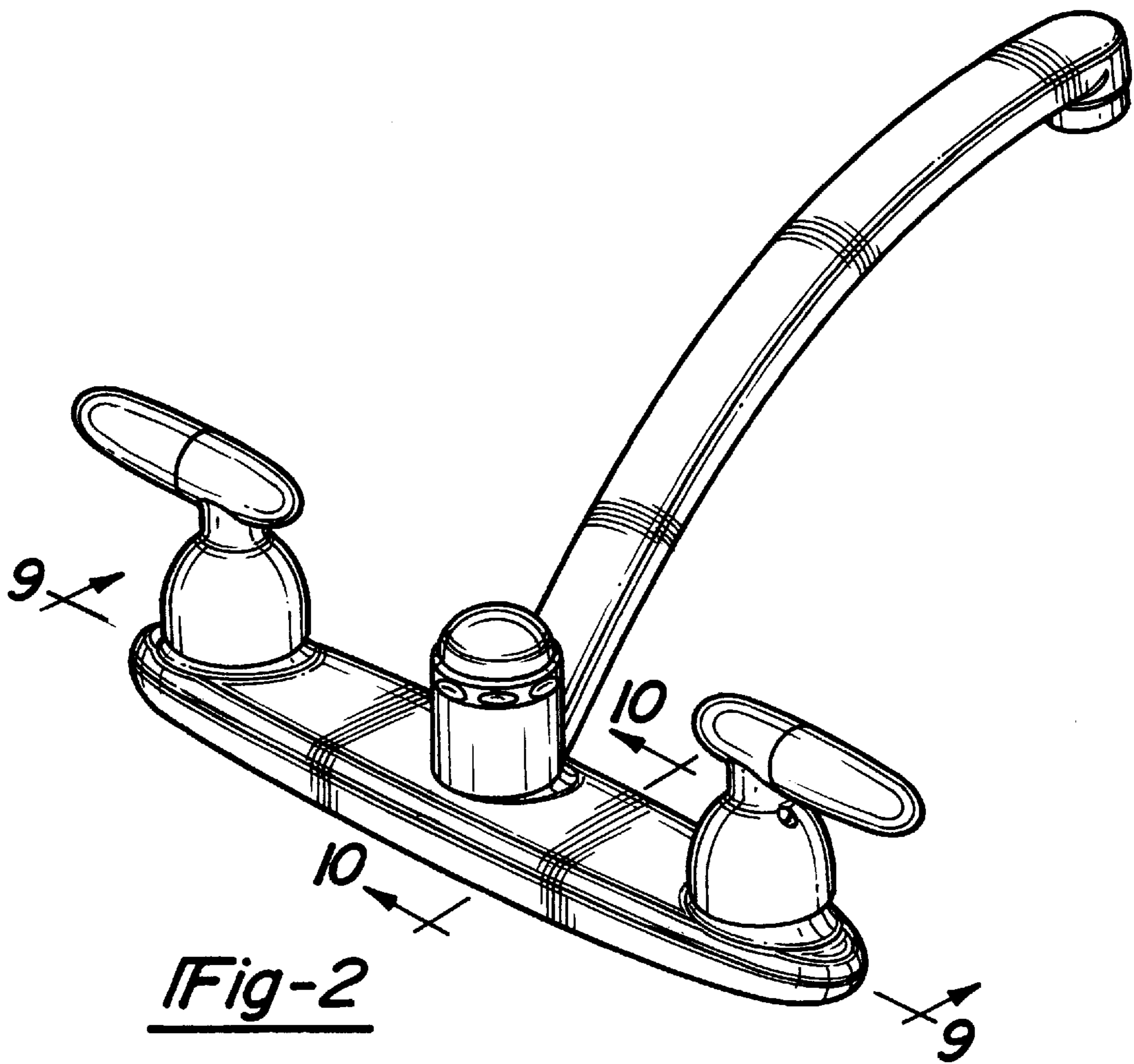
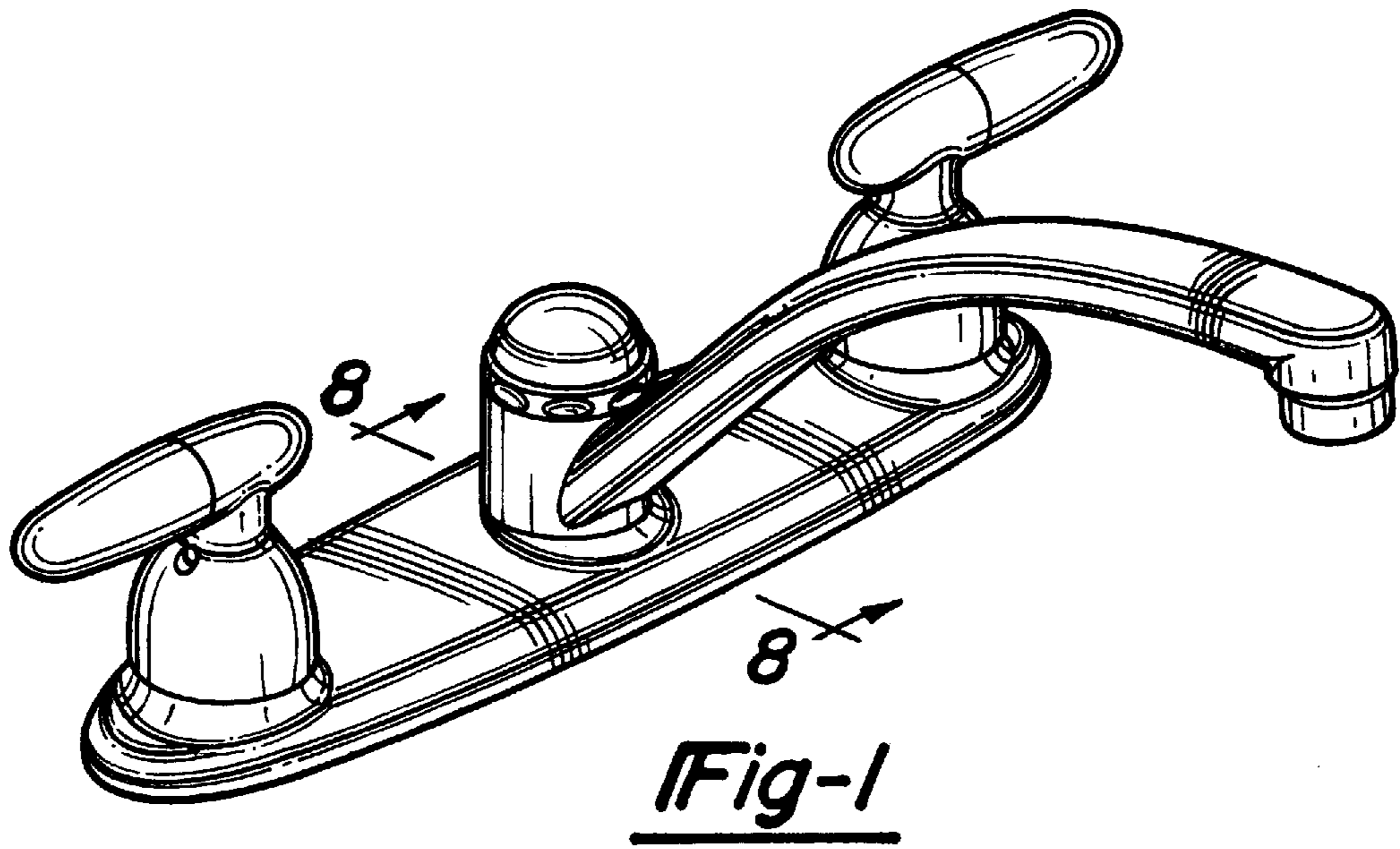
The ornamental design for a faucet, as shown and described.

DESCRIPTION

FIG. 1 is a front perspective view of a faucet showing my new design;
FIG. 2 is a rear perspective view thereof;
FIG. 3 is a top plan view thereof;
FIG. 4 is a front elevational view thereof;
FIG. 5 is a right side elevational view thereof, the left side being a mirror image;
FIG. 6 is a rear elevational view thereof;
FIG. 7 is a bottom plan view thereof;
FIG. 8 is a cross-sectional view taken along line 8—8 in FIG. 1;
FIG. 9 is a cross-sectional view taken along line 9—9 in FIG. 2; and,
FIG. 10 is a cross-sectional view taken along line 10—10 in FIG. 2.

1 Claim, 4 Drawing Sheets





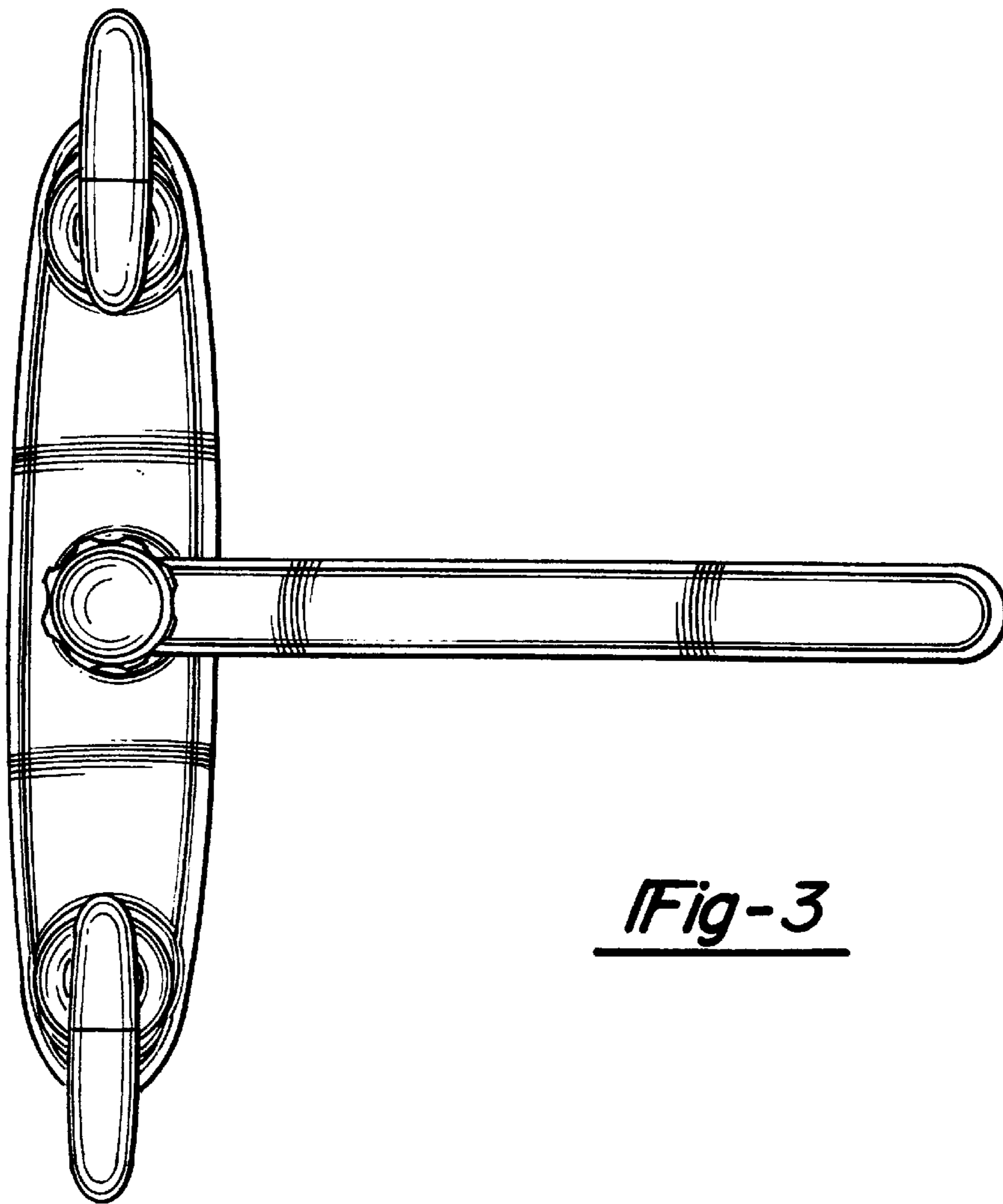


Fig-3

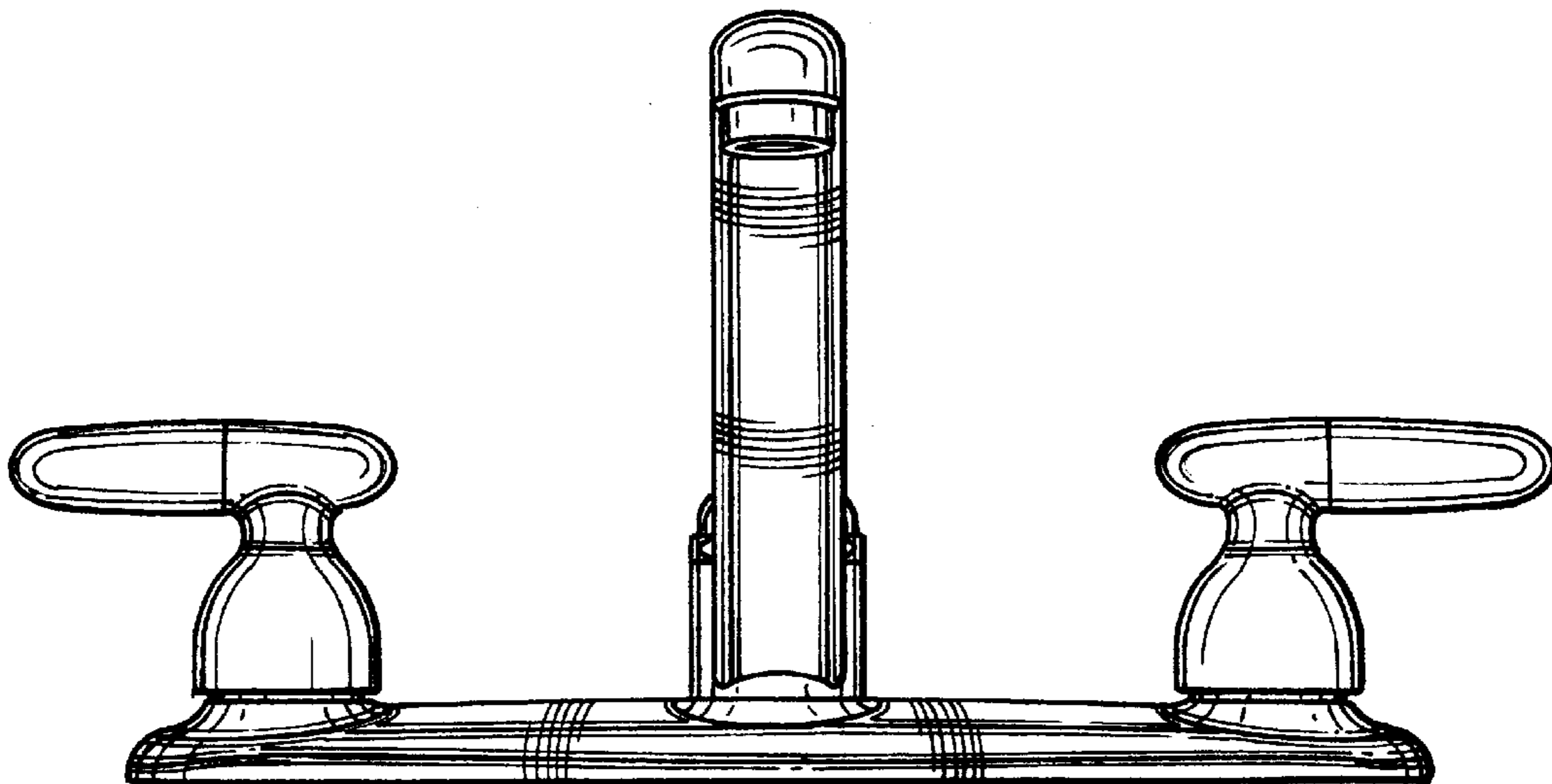
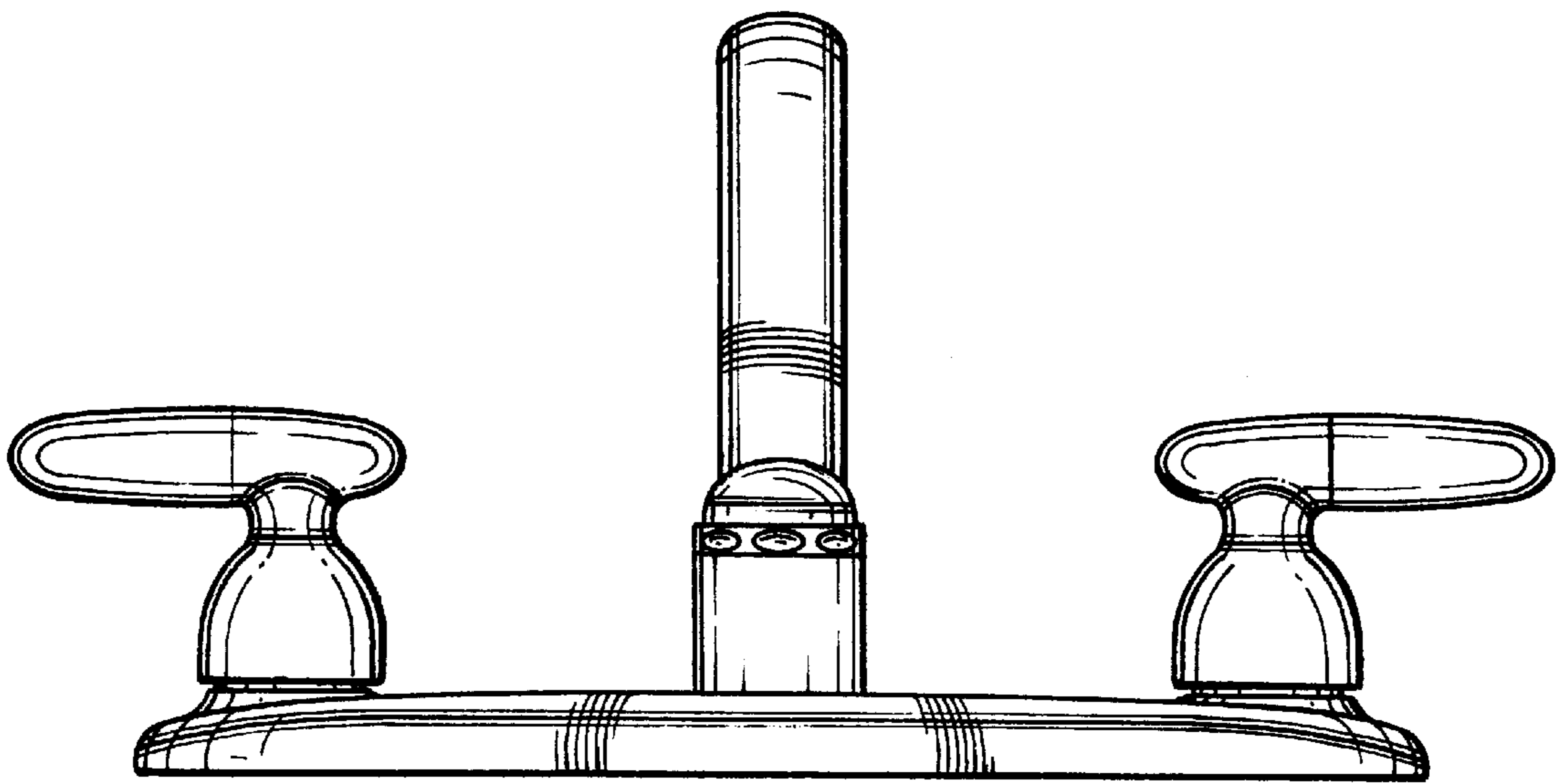
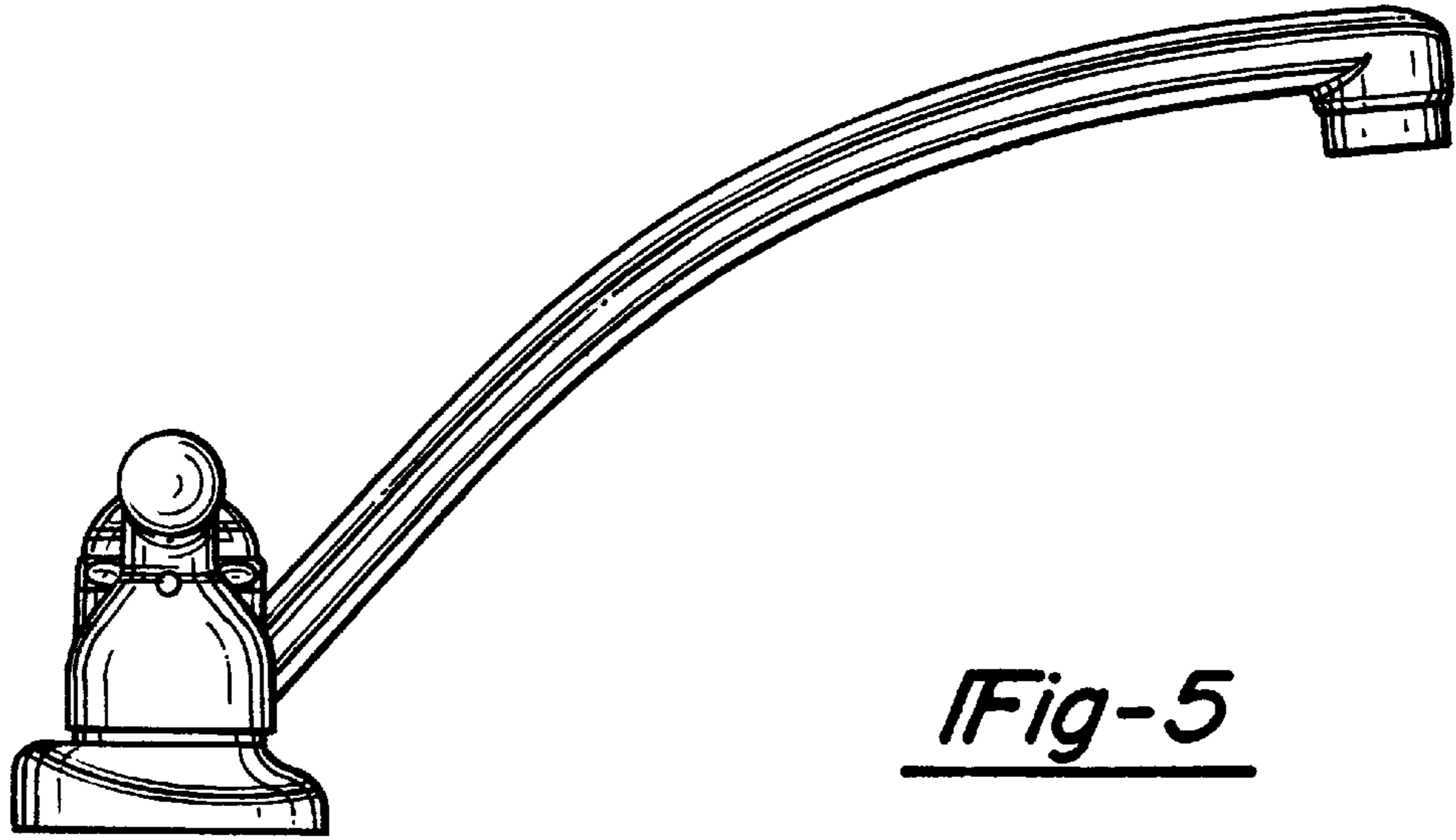


Fig-4



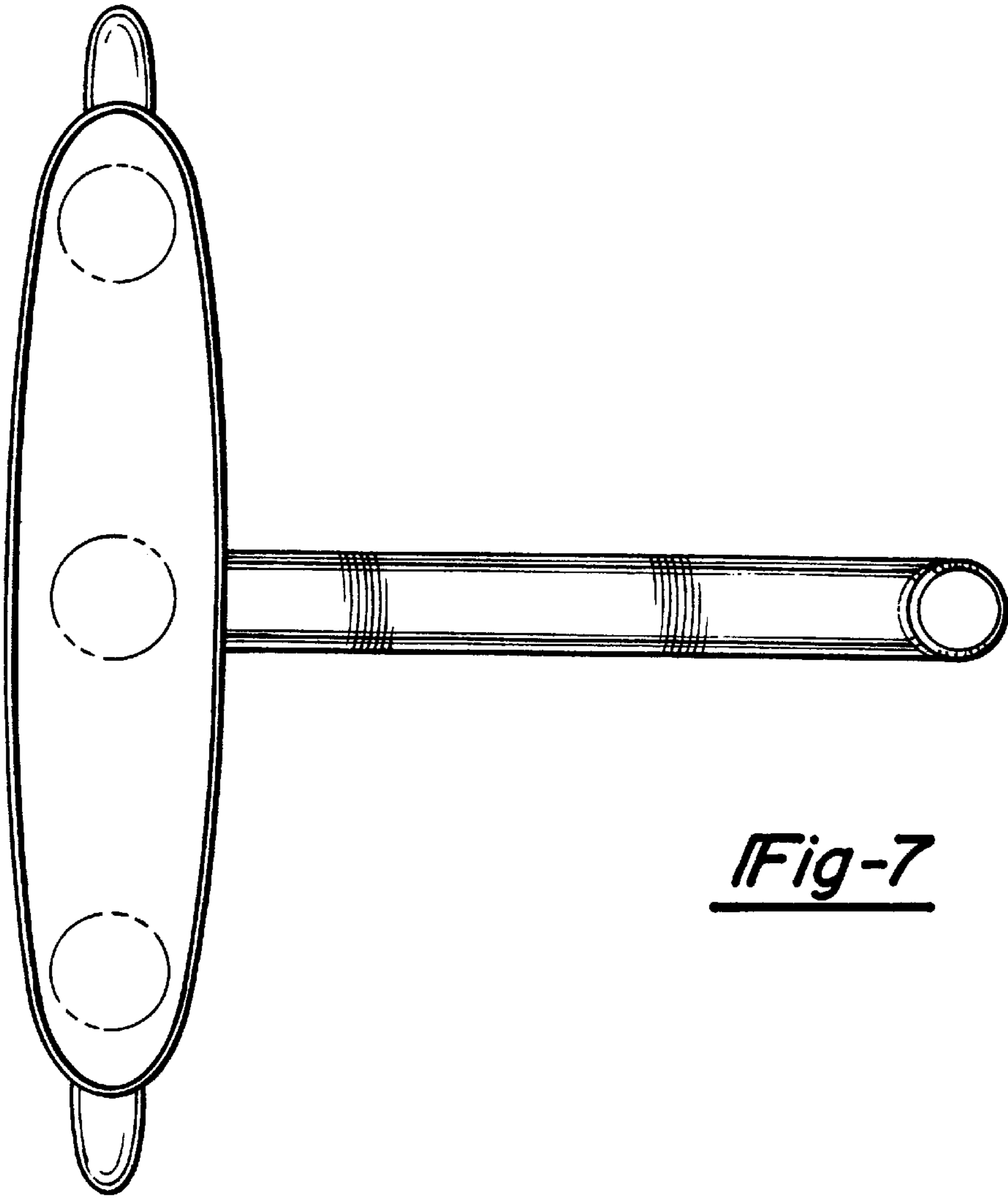


Fig-7

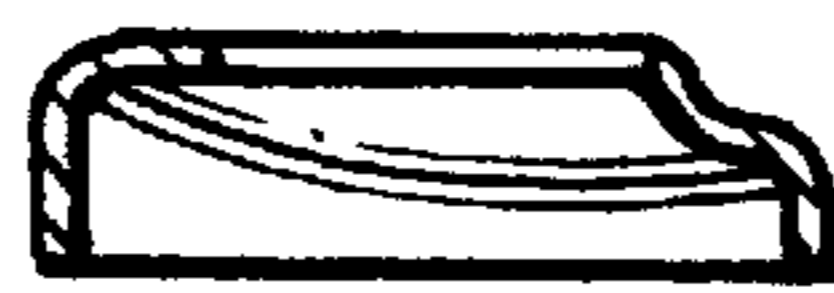


Fig-8



Fig-10



Fig-9