



US00D405154S

# United States Patent [19] Iwabuchi

[11] Patent Number: Des. 405,154

[45] Date of Patent: \*\*Feb. 2, 1999

[54] SPINNING REEL

[75] Inventor: Masakazu Iwabuchi, Osaka, Japan

[73] Assignee: Shimano Inc., Osaka, Japan

[\*] Notice: The term of this patent shall not extend beyond the expiration date of Pat. No. Des. 388,497.

[\*\*] Term: 14 Years

[21] Appl. No.: 80,612

[22] Filed: Dec. 11, 1997

### [30] Foreign Application Priority Data

Jun. 20, 1997	[JP]	Japan	.....	9-58847
Jun. 20, 1997	[JP]	Japan	.....	9-58848
Jun. 20, 1997	[JP]	Japan	.....	9-58849

[51] LOC (6) Cl. .... 22-05

[52] U.S. Cl. .... D22/141

[58] Field of Search ..... D22/140, 141;  
242/230-233, 245, 246, 247, 238, 248,  
311

### [56] References Cited

#### U.S. PATENT DOCUMENTS

D. 290,988	7/1987	Myojo	.....	D22/141
D. 329,907	9/1992	Yui	.....	D22/141
D. 333,503	2/1993	Myojo	.....	D22/141
D. 333,504	2/1993	Myojo	.....	D22/141
D. 352,542	11/1994	Onishi	.....	D22/141
D. 352,764	11/1994	Onishi	.....	D22/141
D. 352,765	11/1994	Onishi	.....	D22/141

D. 388,497	12/1997	Iwabuchi	.....	D22/141
5,476,230	12/1995	Yamaguchi	.....	242/319
5,607,116	3/1997	Yamaguchi	.....	242/247

Primary Examiner—Doris V. Coles  
Attorney, Agent, or Firm—Jordan and Hamburg

### [57] CLAIM

The ornamental design for a spinning reel, as shown and described.

### DESCRIPTION

FIG. 1 is a front view of a first embodiment of a spinning reel showing my new design;  
 FIG. 2 is a rear view thereof;  
 FIG. 3 is a top plan view thereof;  
 FIG. 4 is a bottom plan view thereof;  
 FIG. 5 is a left side view thereof;  
 FIG. 6 is a right side view thereof;  
 FIG. 7 is a front view of a second embodiment of a spinning reel showing my new design;  
 FIG. 8 is a rear view thereof;  
 FIG. 9 is a top plan view thereof;  
 FIG. 10 is a bottom plan view thereof;  
 FIG. 11 is a left side view thereof;  
 FIG. 12 is a right side view thereof;  
 FIG. 13 is a front view of a third embodiment of a spinning reel showing my new design;  
 FIG. 14 is a rear view thereof;  
 FIG. 15 is a top plan view thereof;  
 FIG. 16 is a bottom plan view thereof;  
 FIG. 17 is a left side view thereof; and,  
 FIG. 18 is a right side view thereof.

1 Claim, 18 Drawing Sheets

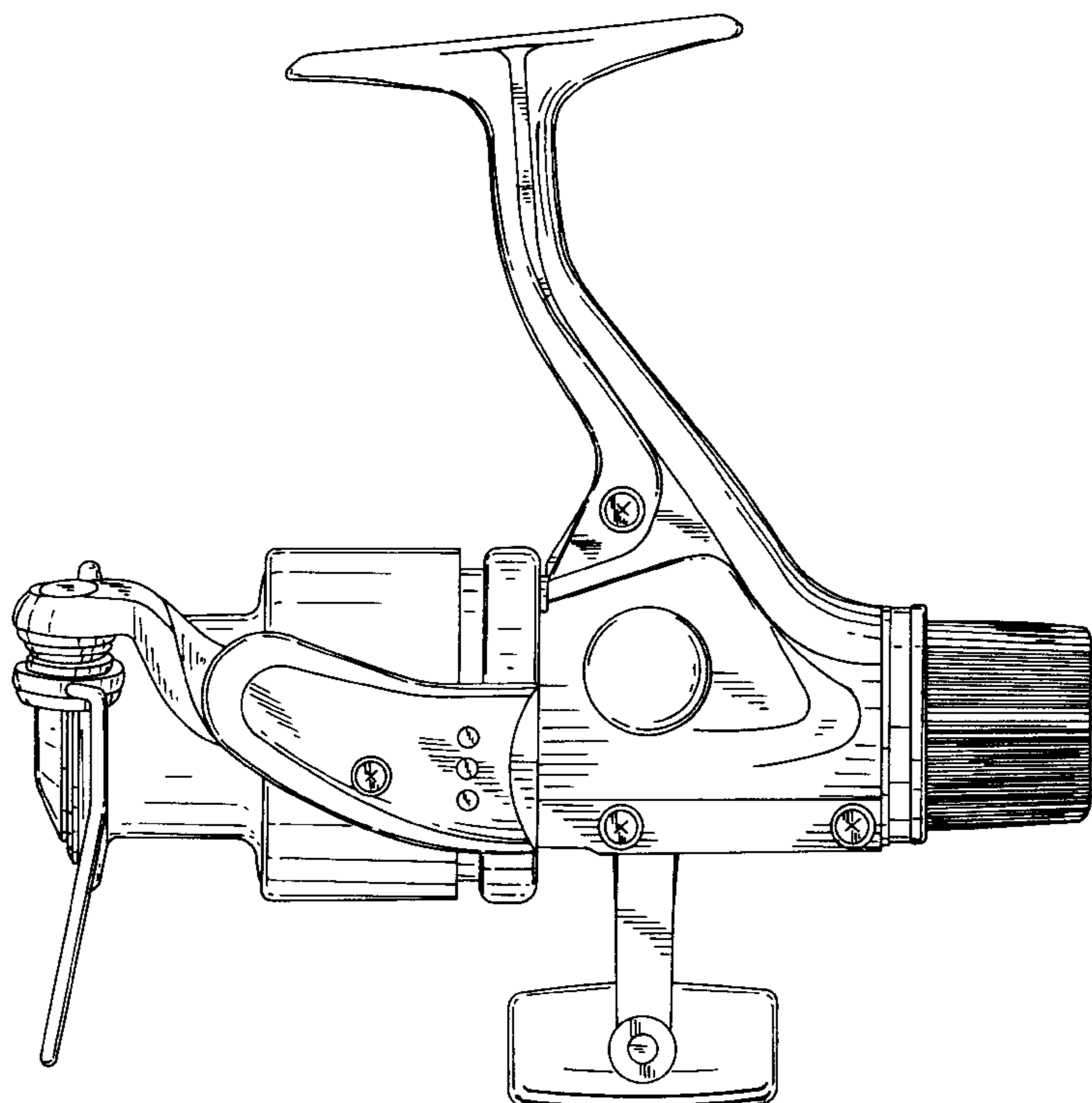


FIG. 1

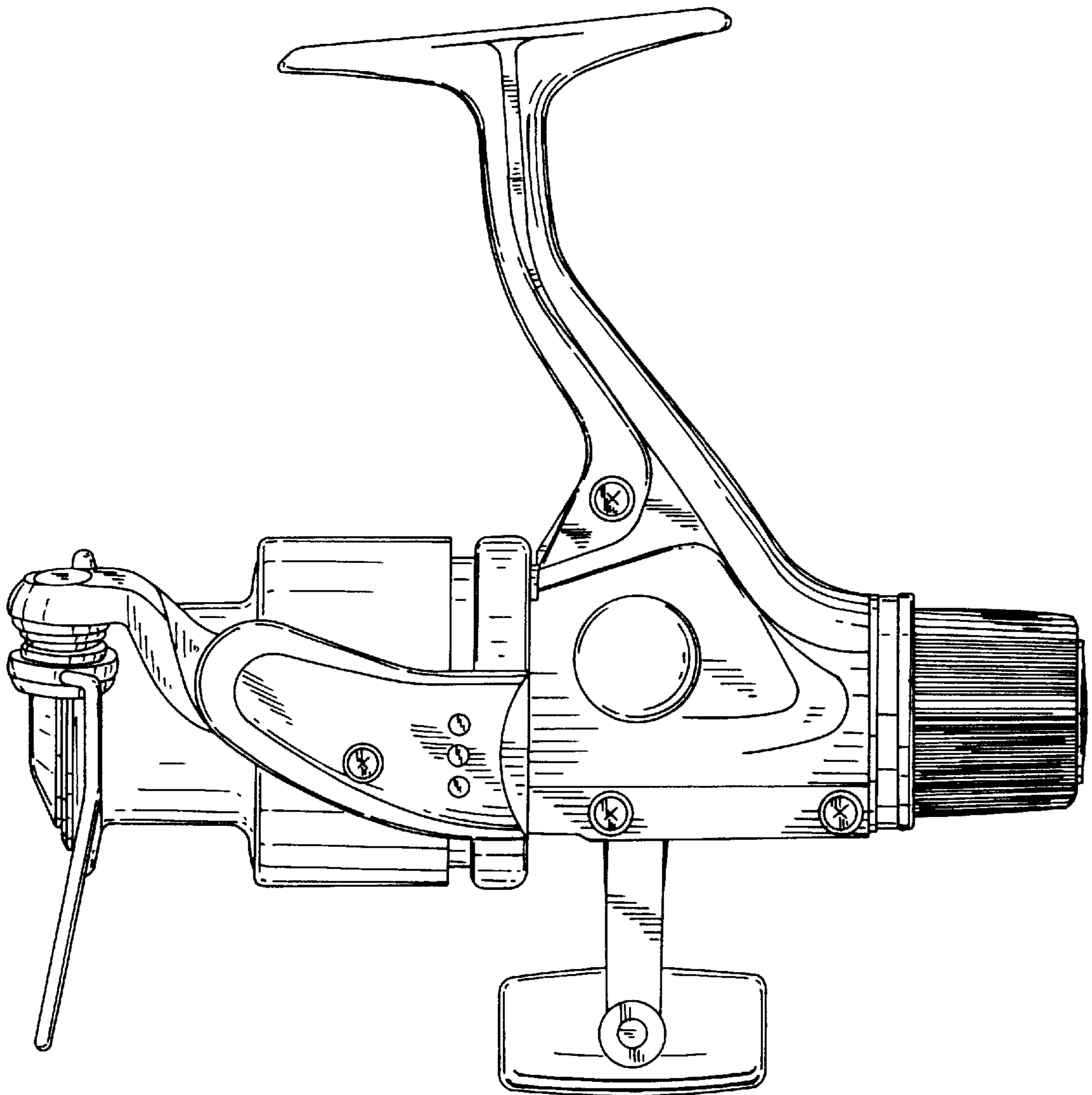


FIG. 2

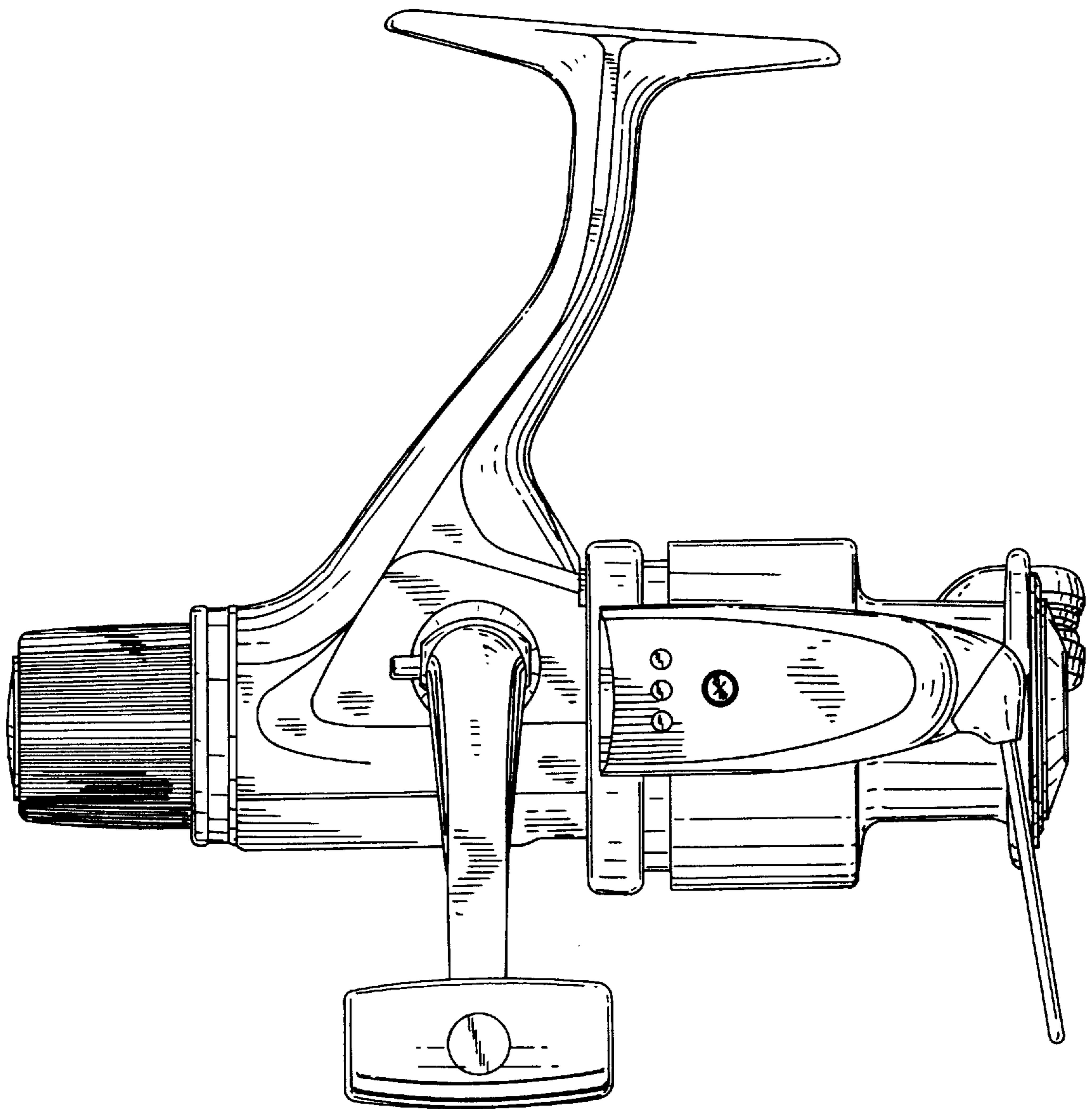


FIG. 3

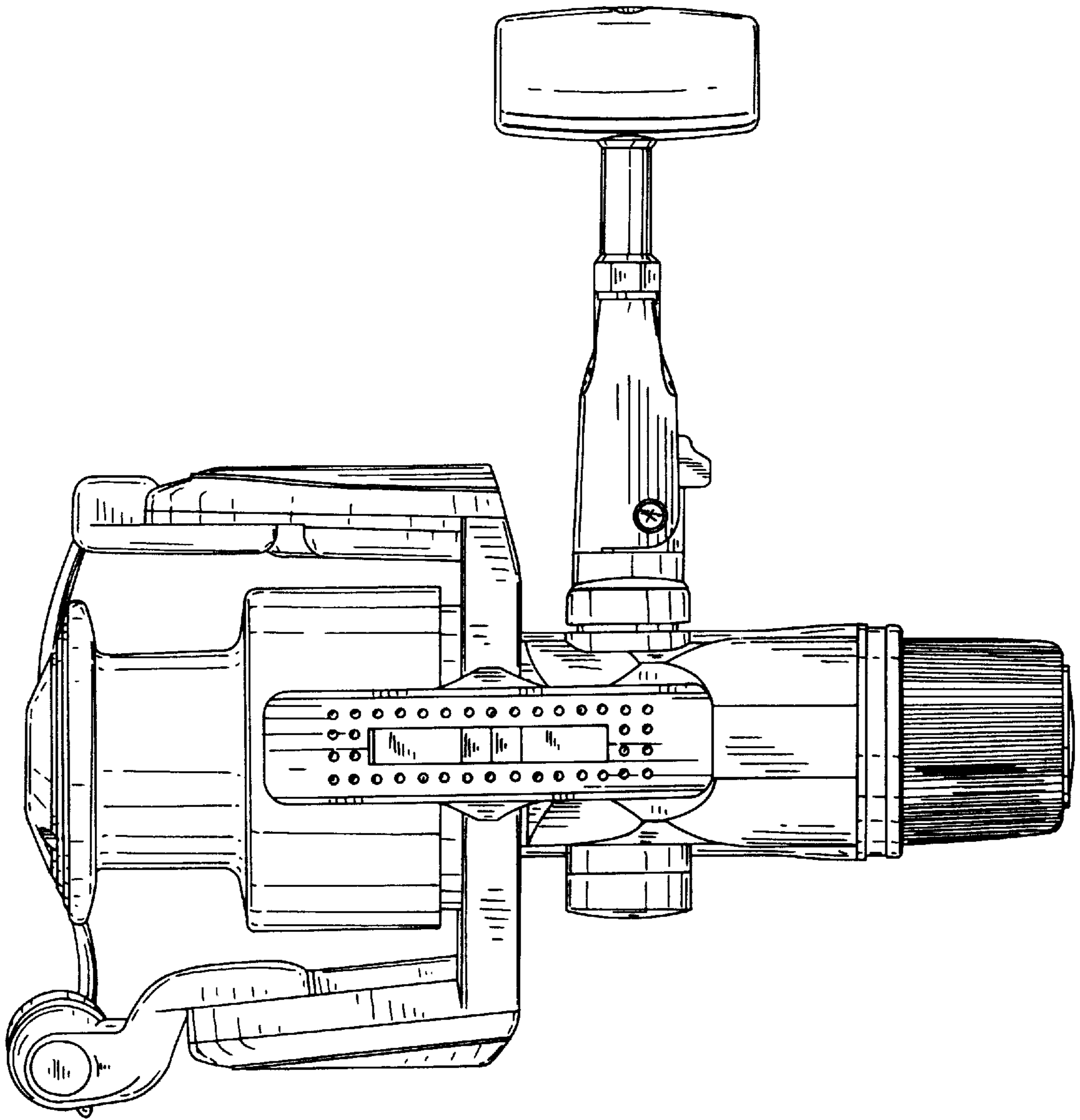


FIG. 4

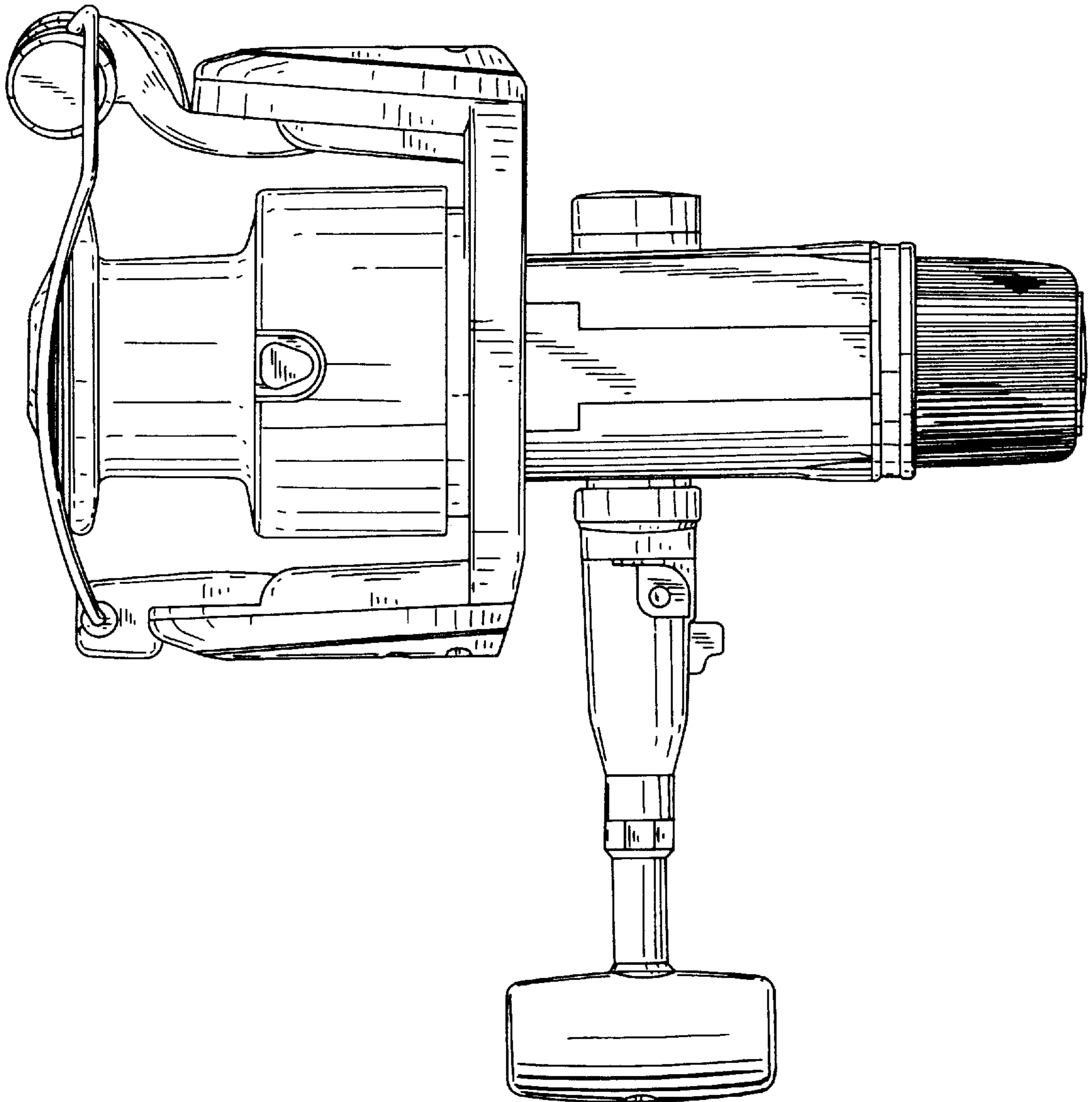


FIG. 5

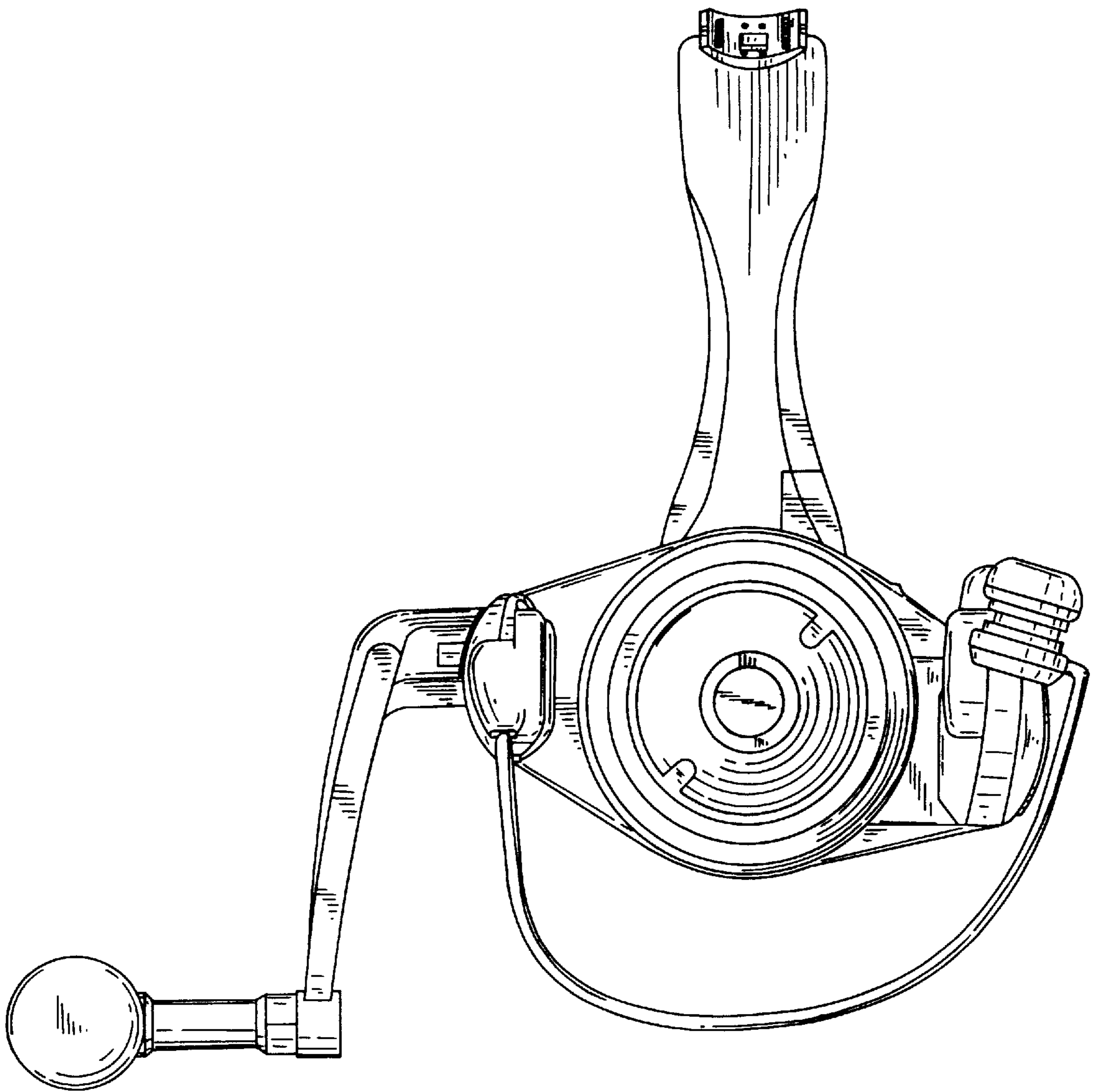


FIG. 6

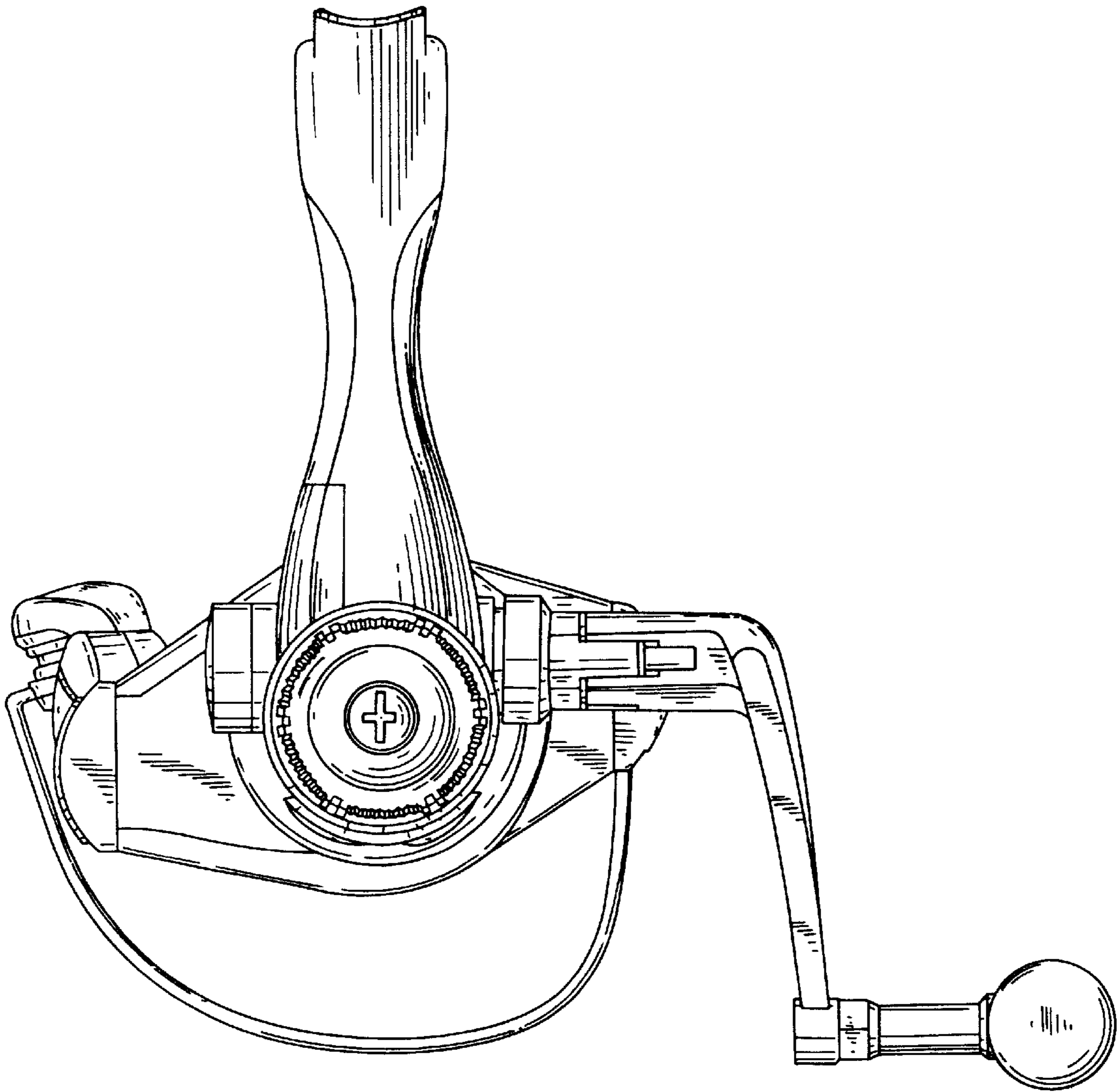


FIG. 7

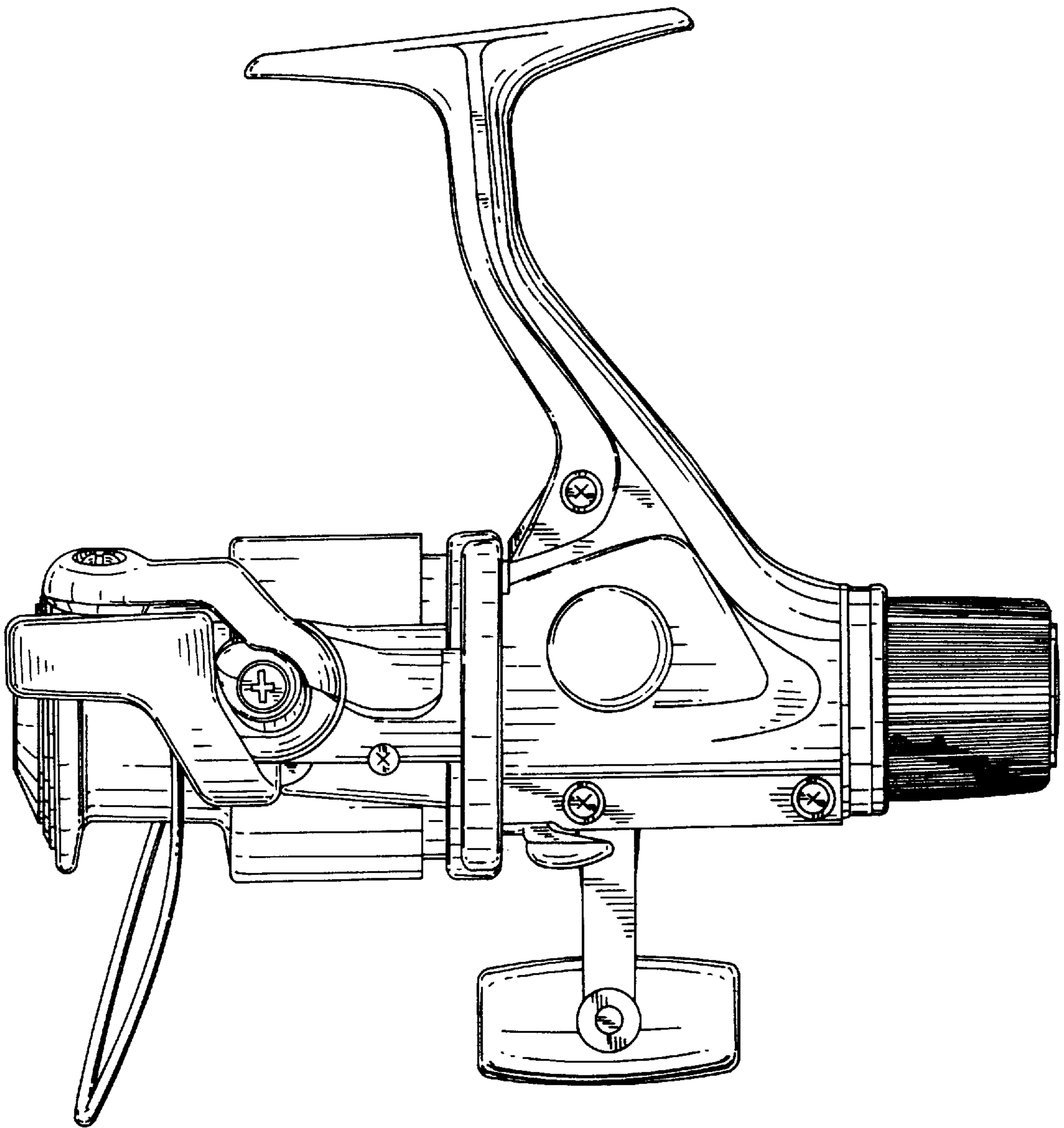




FIG. 8

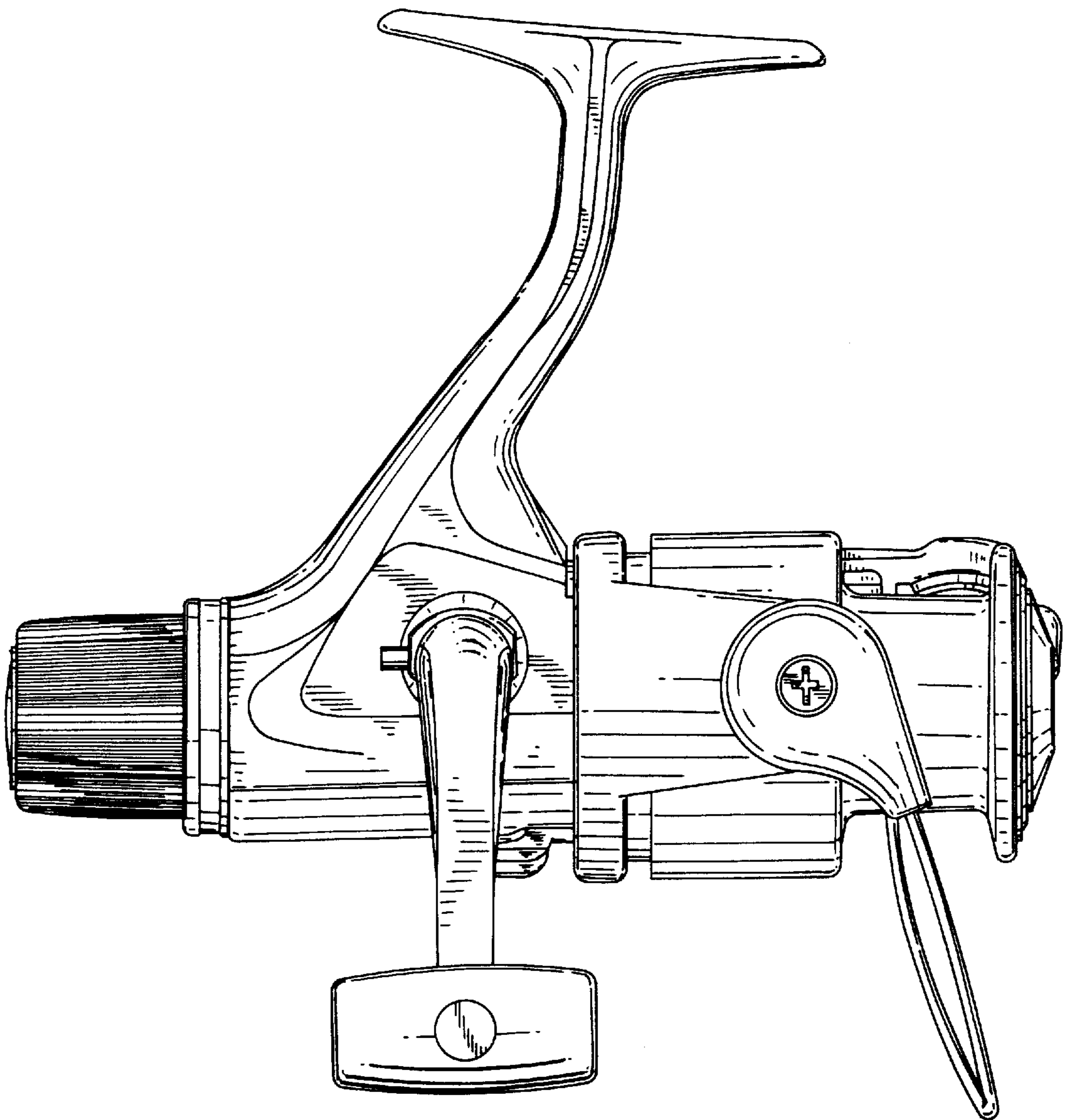


FIG. 9

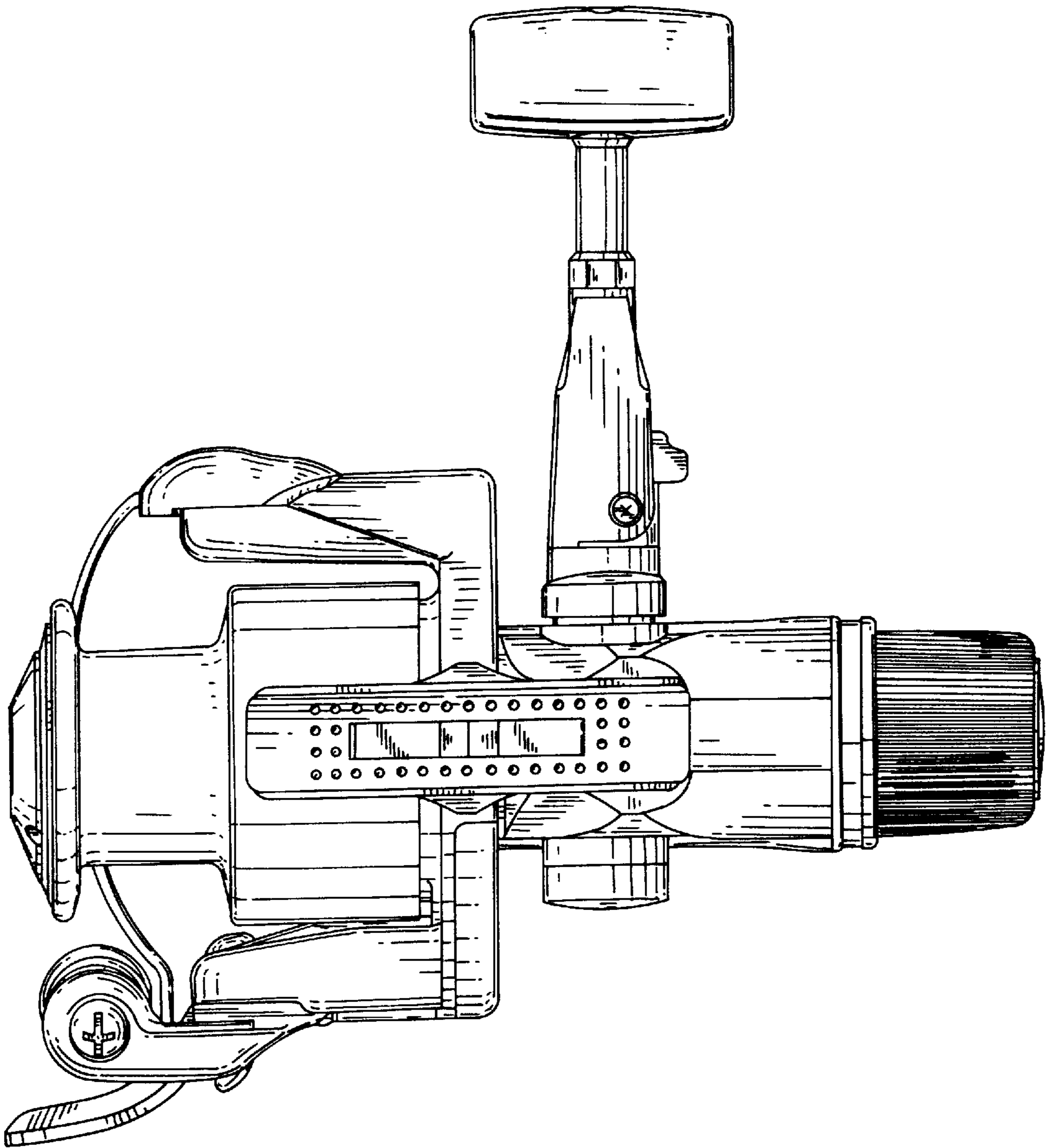


FIG. 10

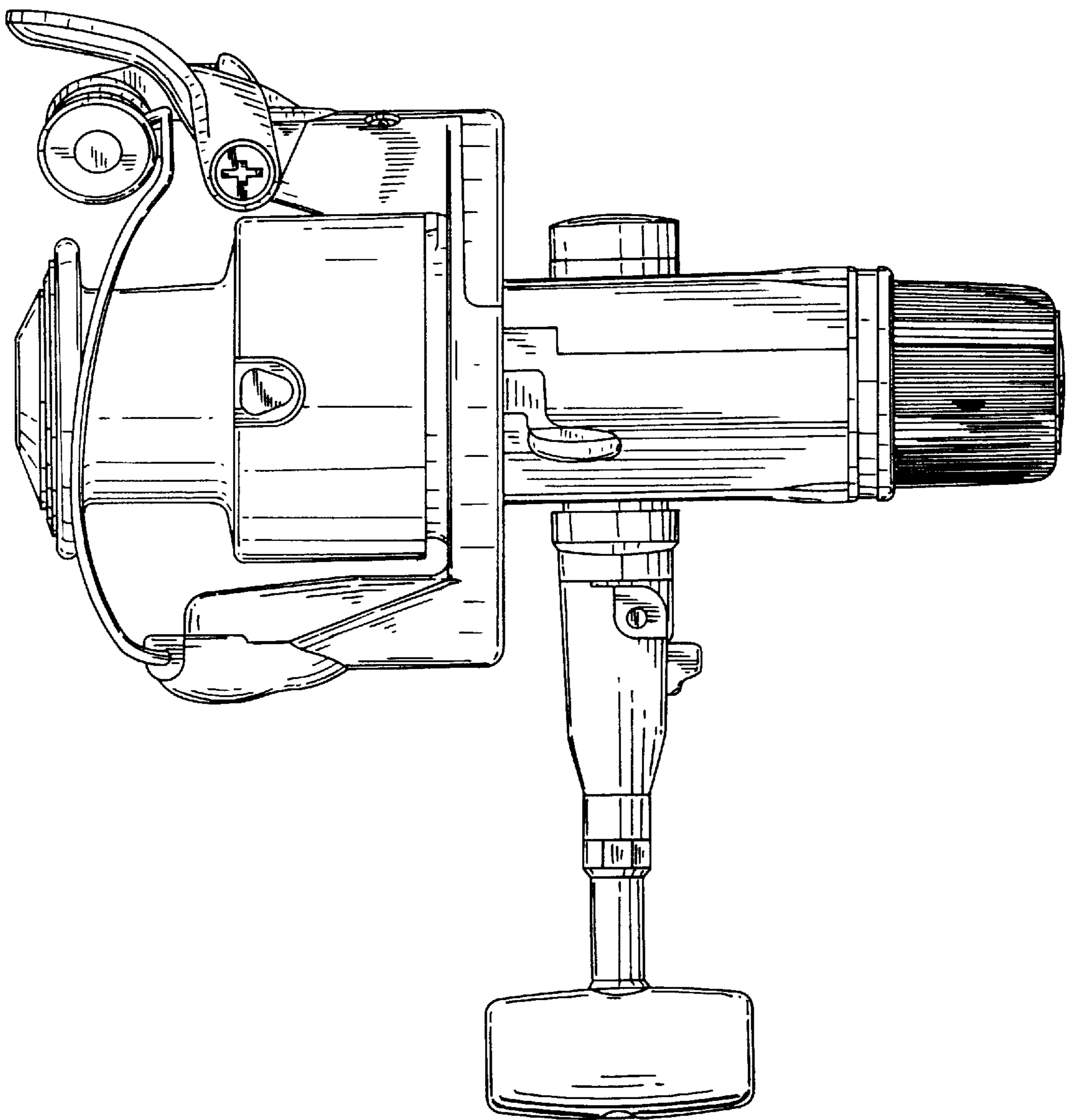


FIG. 11

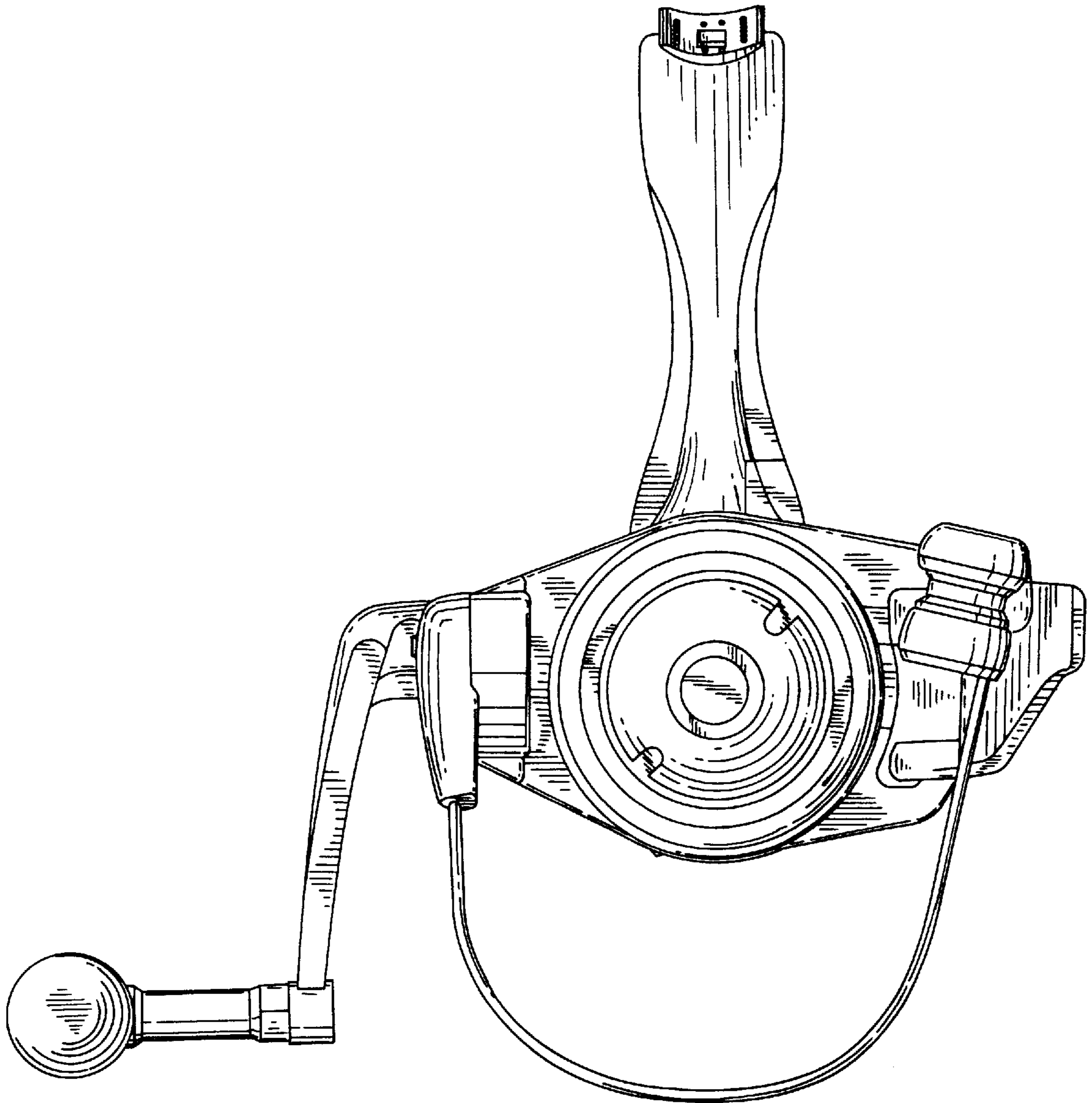


FIG. 12

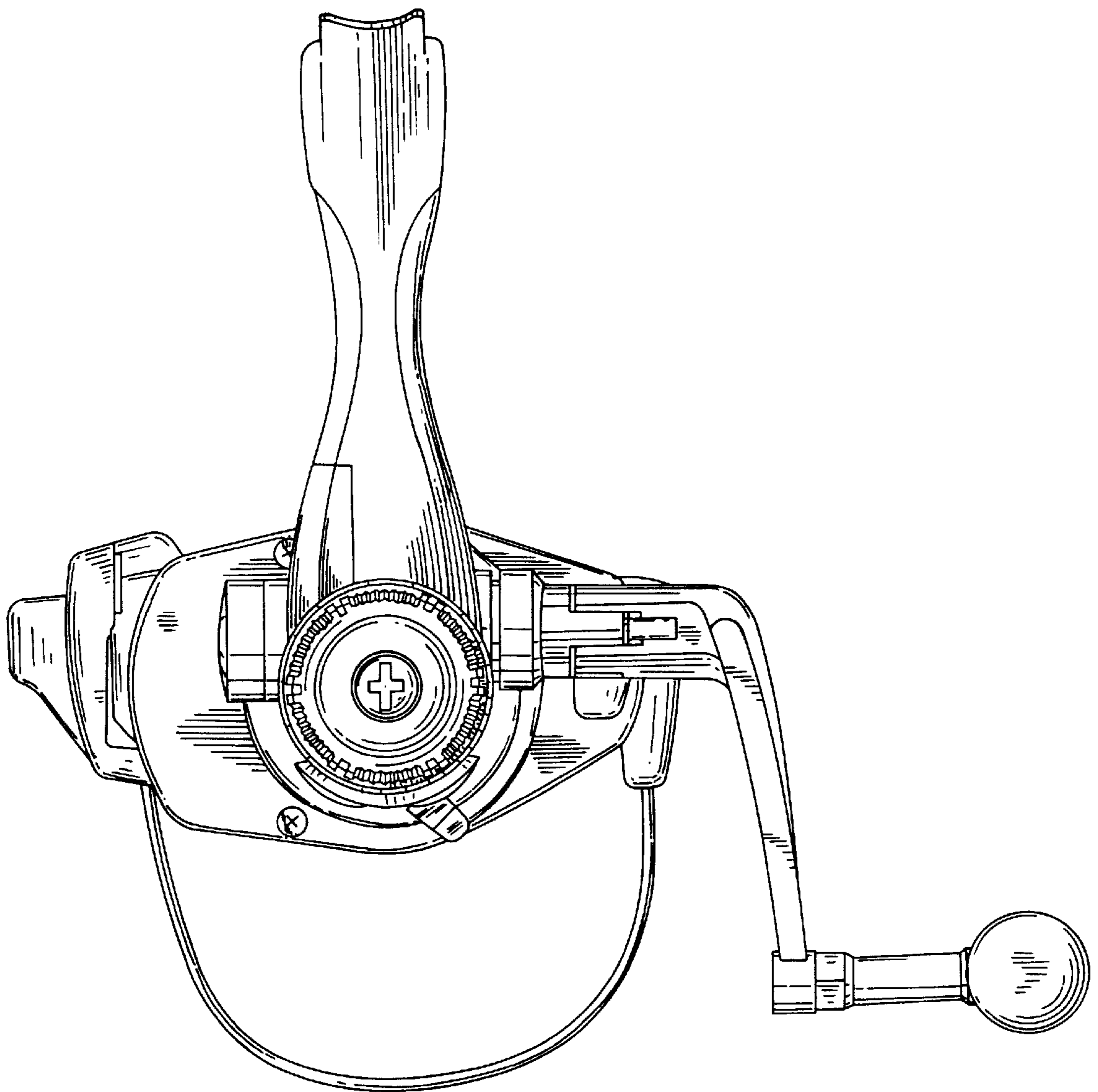


FIG. 13

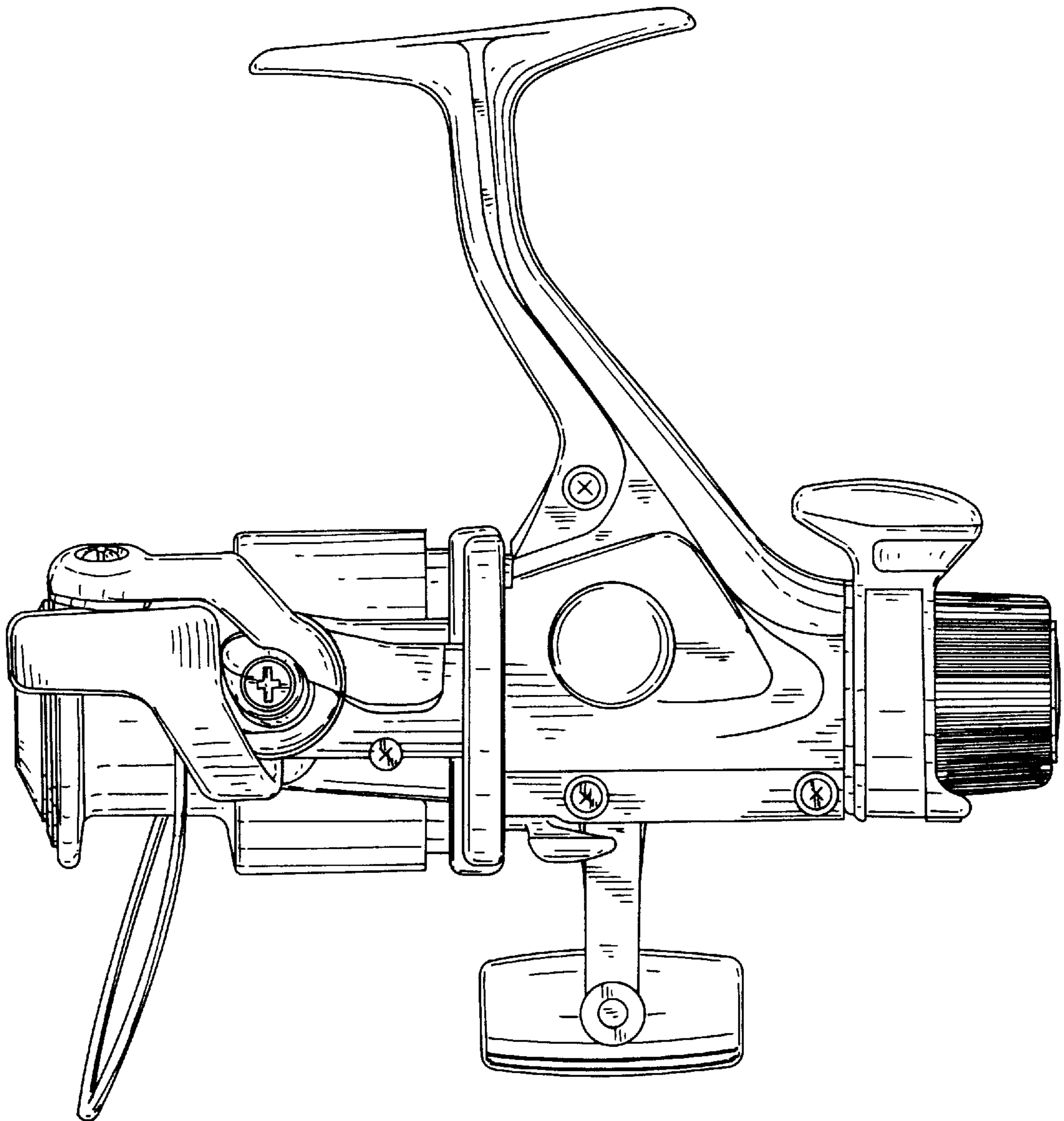


FIG. 14

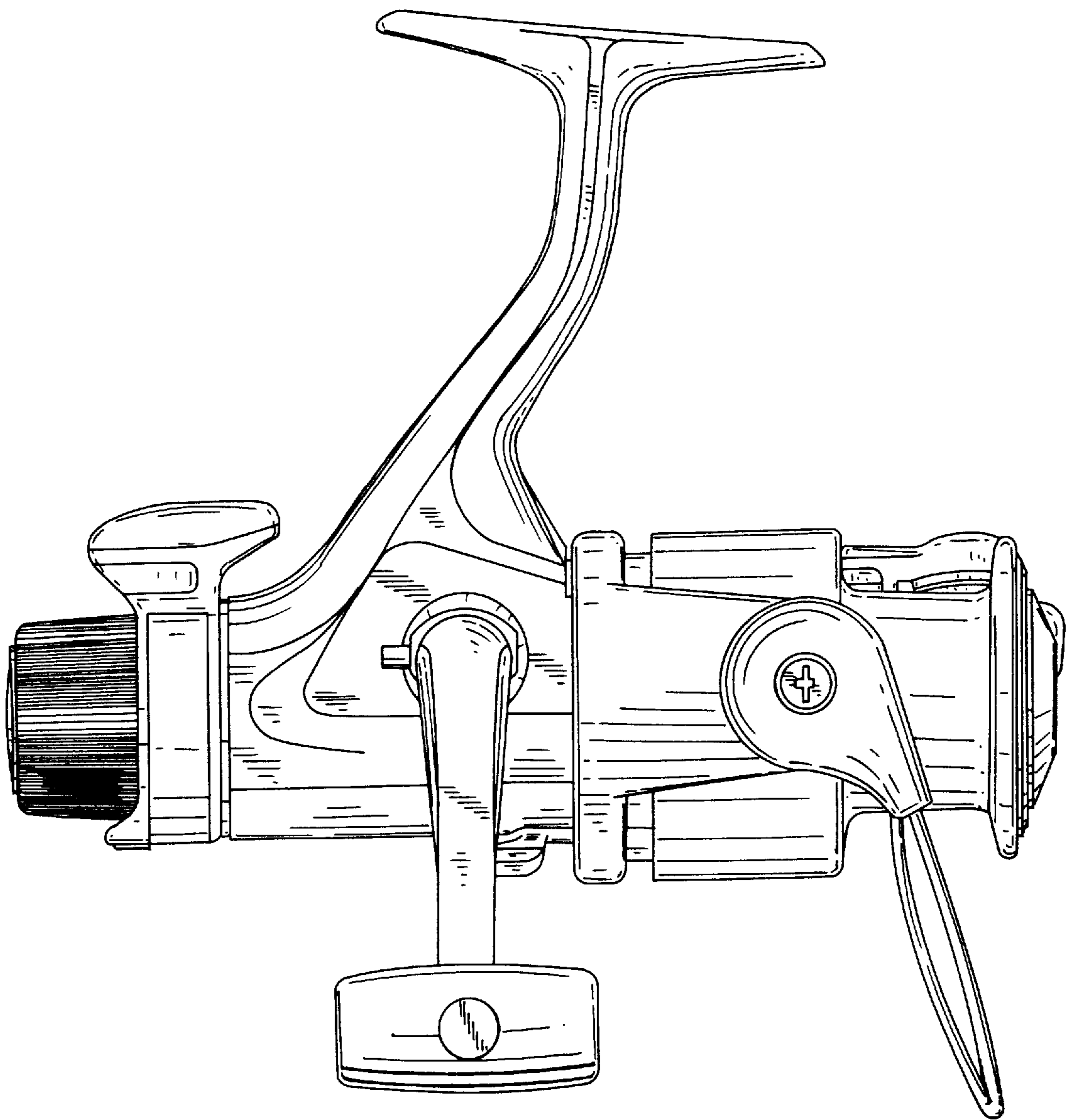


FIG. 15

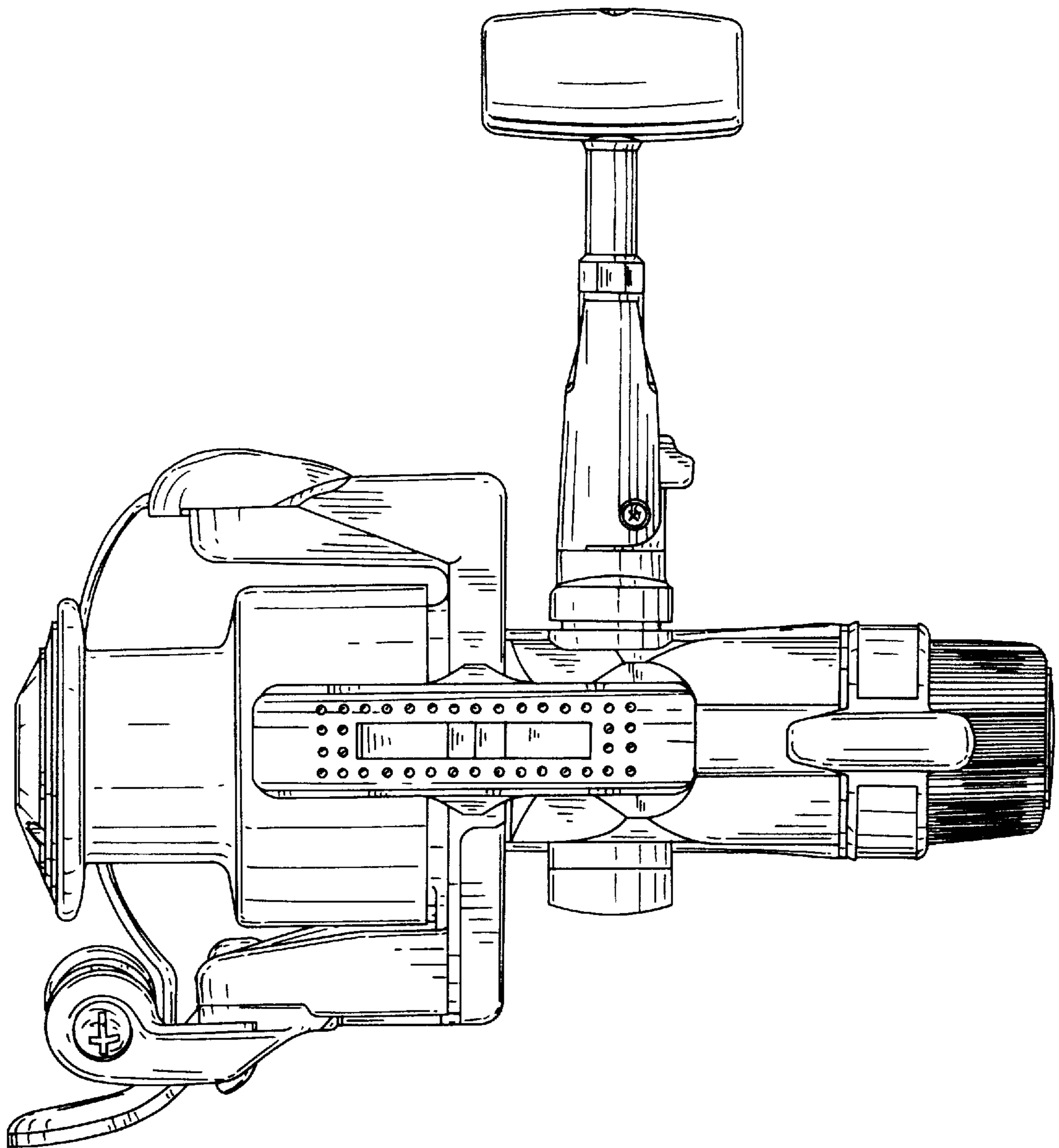




FIG. 16

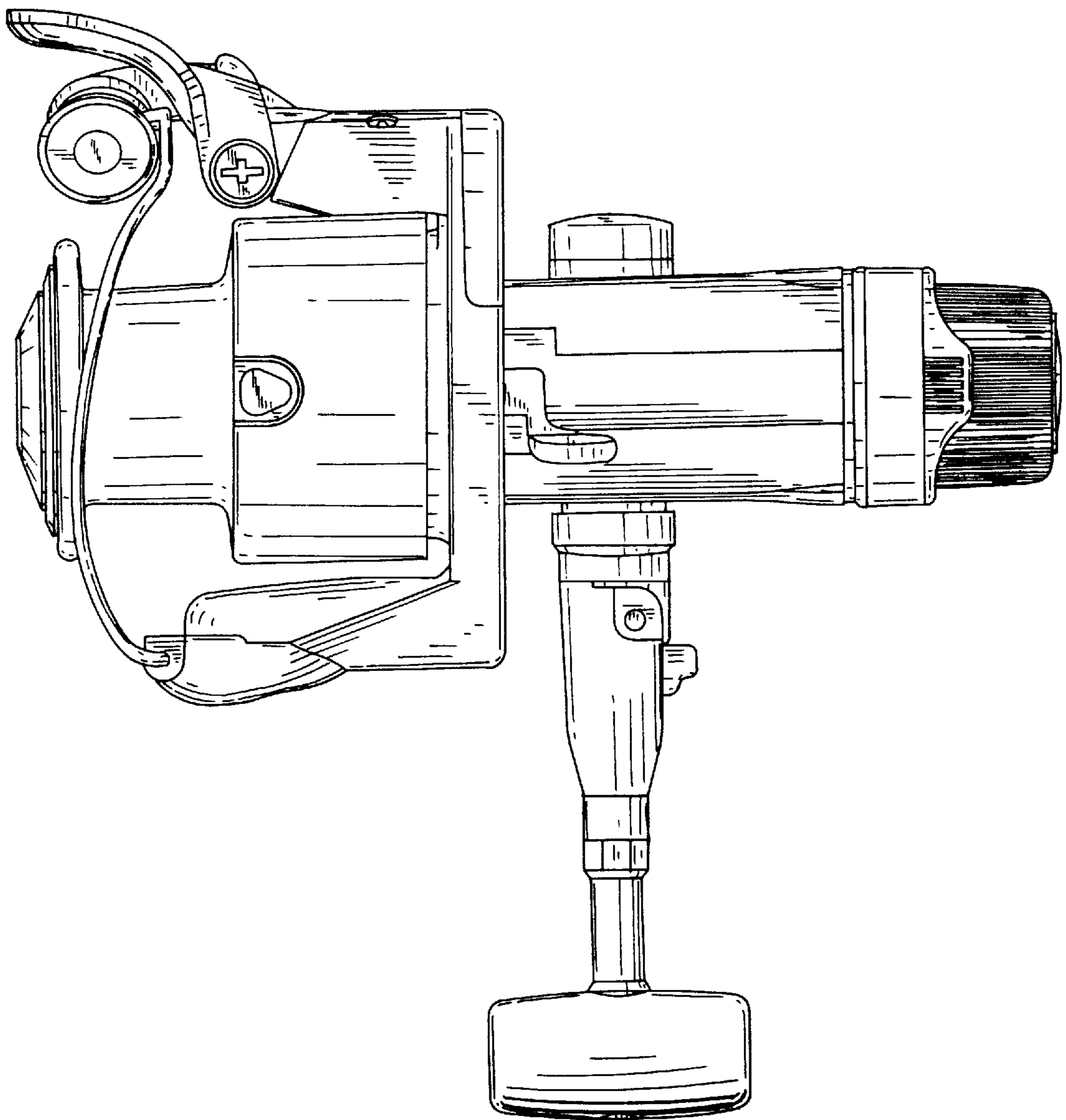


FIG. 17

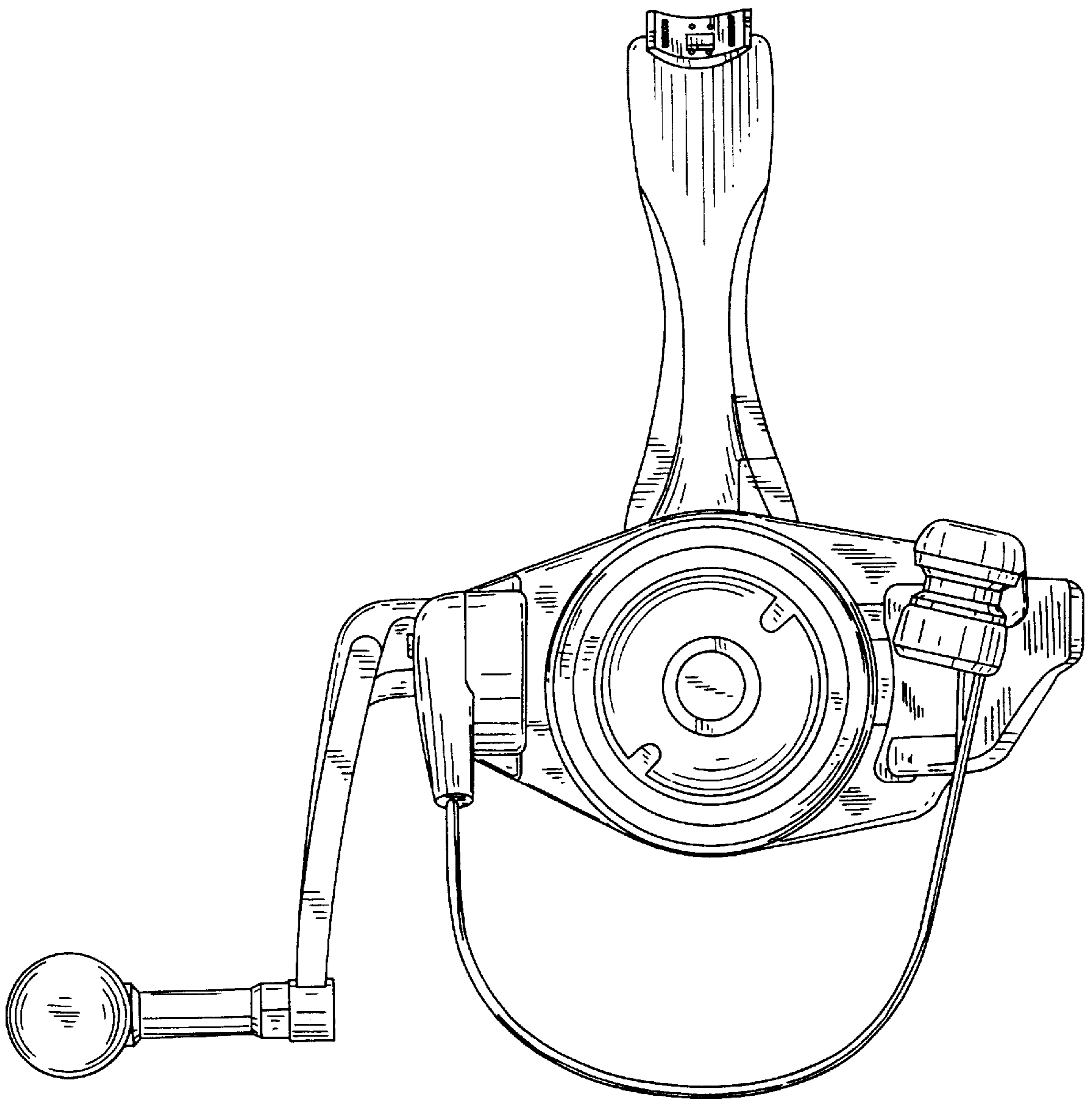


FIG. 18

