



US00D405150S

United States Patent [19] Magaline

[11] **Patent Number: Des. 405,150**

[45] **Date of Patent: **Feb. 2, 1999**

[54] **TROLLING SINKER RELEASE**

[76] Inventor: **Todd V. Magaline**, 201 Mountain View,
San Rafael, Calif. 94901

[**] Term: **14 Years**

[21] Appl. No.: **72,728**

[22] Filed: **Jun. 25, 1997**

[51] **LOC (6) Cl. 22-05**

[52] **U.S. Cl. D22/126; D22/134; D22/145**

[58] **Field of Search D22/126-129,
D22/134, 145, 146; 43/43.12, 42.39, 43.1,
43.14, 44.89, 43.13, 44.97, 44.96, 27.4,
42.19, 42.36, 44.84, 44.95**

[56] **References Cited**

U.S. PATENT DOCUMENTS

1,033,464	7/1912	Pomeroy	43/43.12
2,219,886	10/1940	Blomme	43/43.13
2,359,588	10/1944	Shea	43/44.84
2,392,335	1/1946	Morrill	43/44.84
2,545,185	3/1951	Winslow	43/43.12

2,726,475	12/1955	Wiselka	43/43.13
3,090,153	5/1963	Clark	43/43.13
3,095,664	7/1963	Nichols	43/42.19
4,417,414	11/1983	Hood et al.	43/43.12
4,546,565	10/1985	Blevins	43/431.3

Primary Examiner—Doris V. Coles
Attorney, Agent, or Firm—Townsend and Townsend and
Crew LLP

[57] **CLAIM**

The ornamental design for a trolling sinker release, as shown
and described.

DESCRIPTION

FIG. 1 is a perspective view of a trolling sinker release
showing my new design;
FIG. 2 is a top plan view thereof;
FIG. 3 is a left side elevational view thereof;
FIG. 4 is a front elevational view, the rear elevational view
being a mirror image;
FIG. 5 is a right side elevational view thereof; and,
FIG. 6 is a bottom plan view thereof.

1 Claim, 1 Drawing Sheet

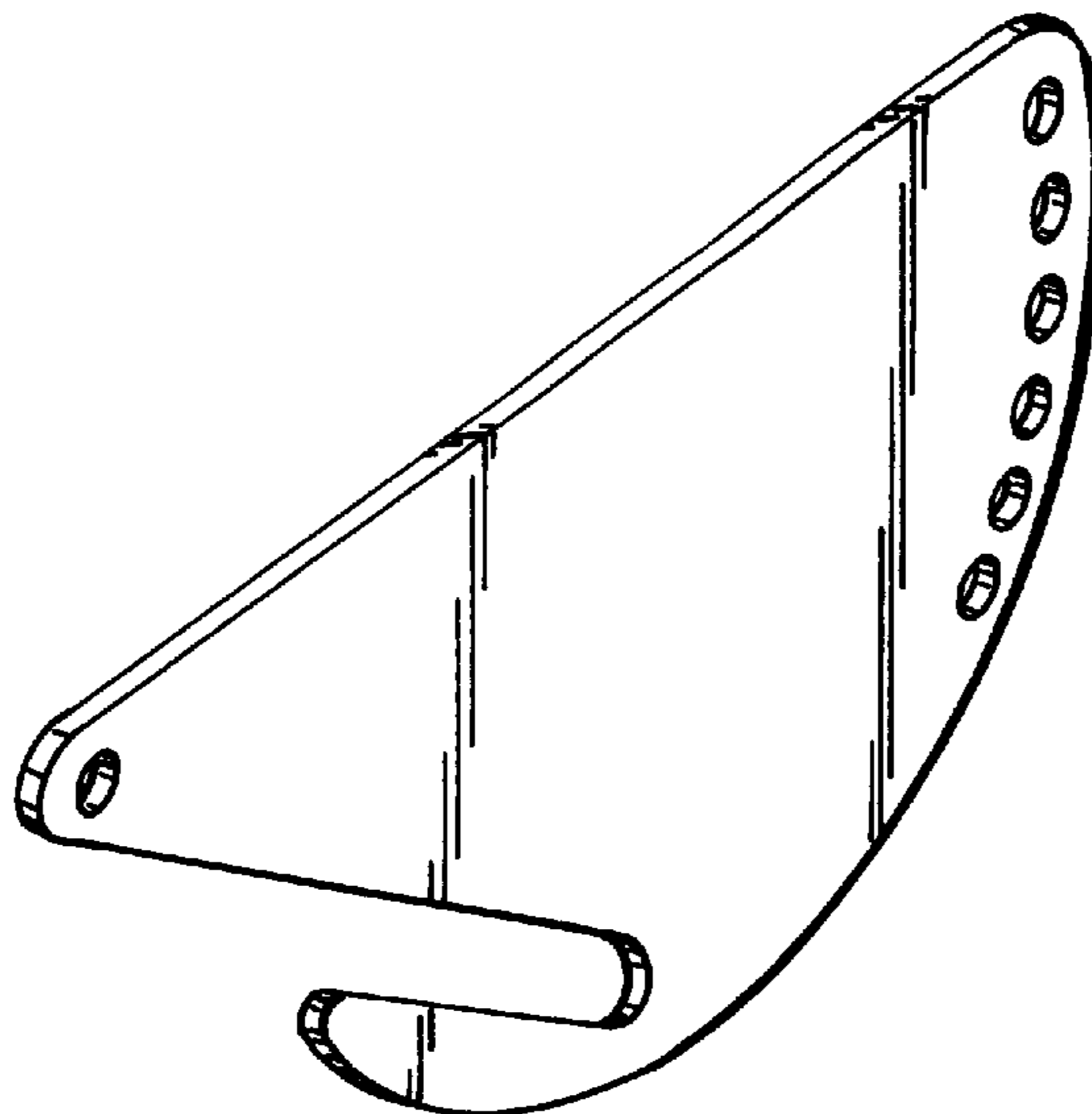




FIG. 2.

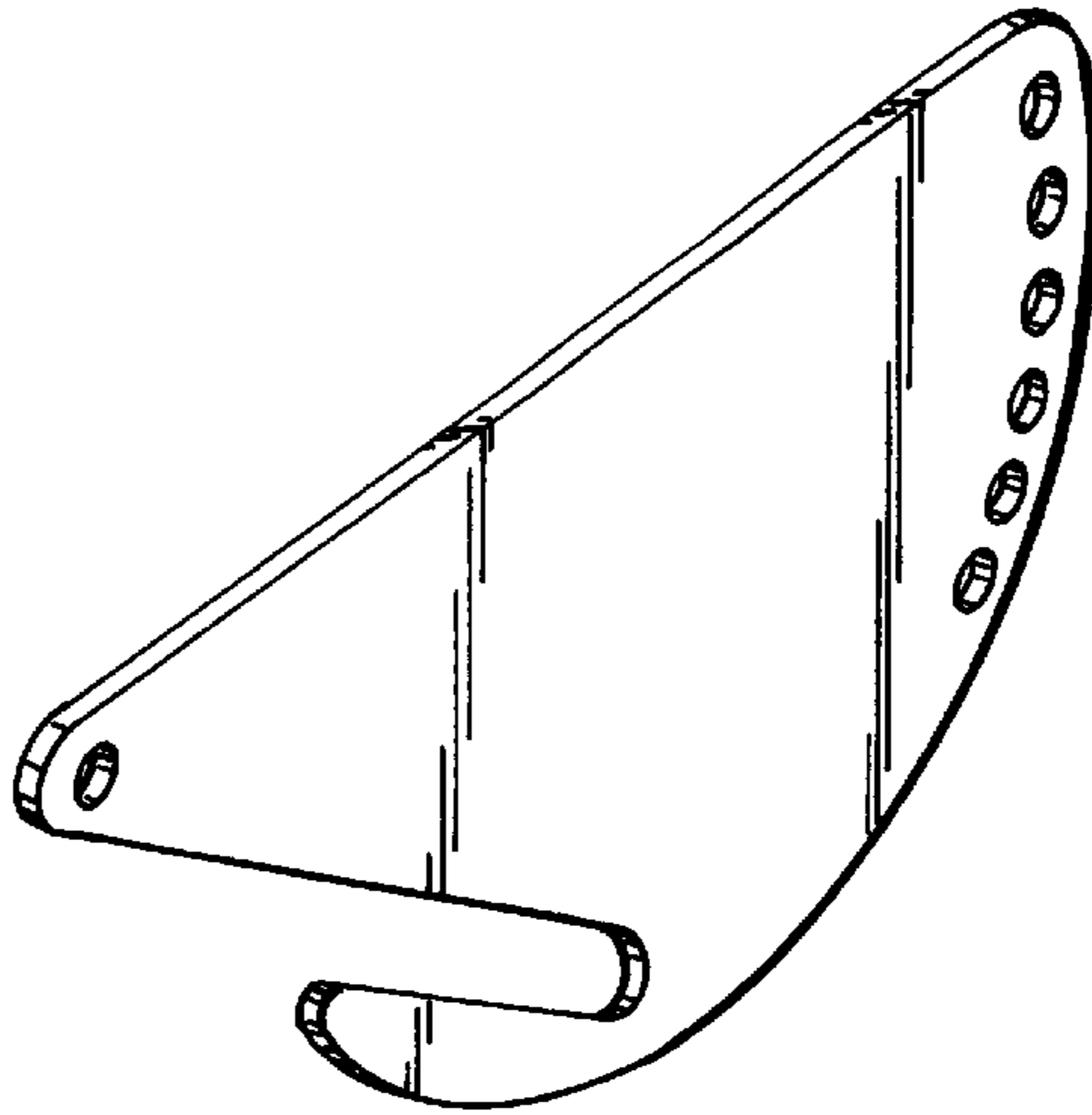


FIG. 1.



FIG. 3.

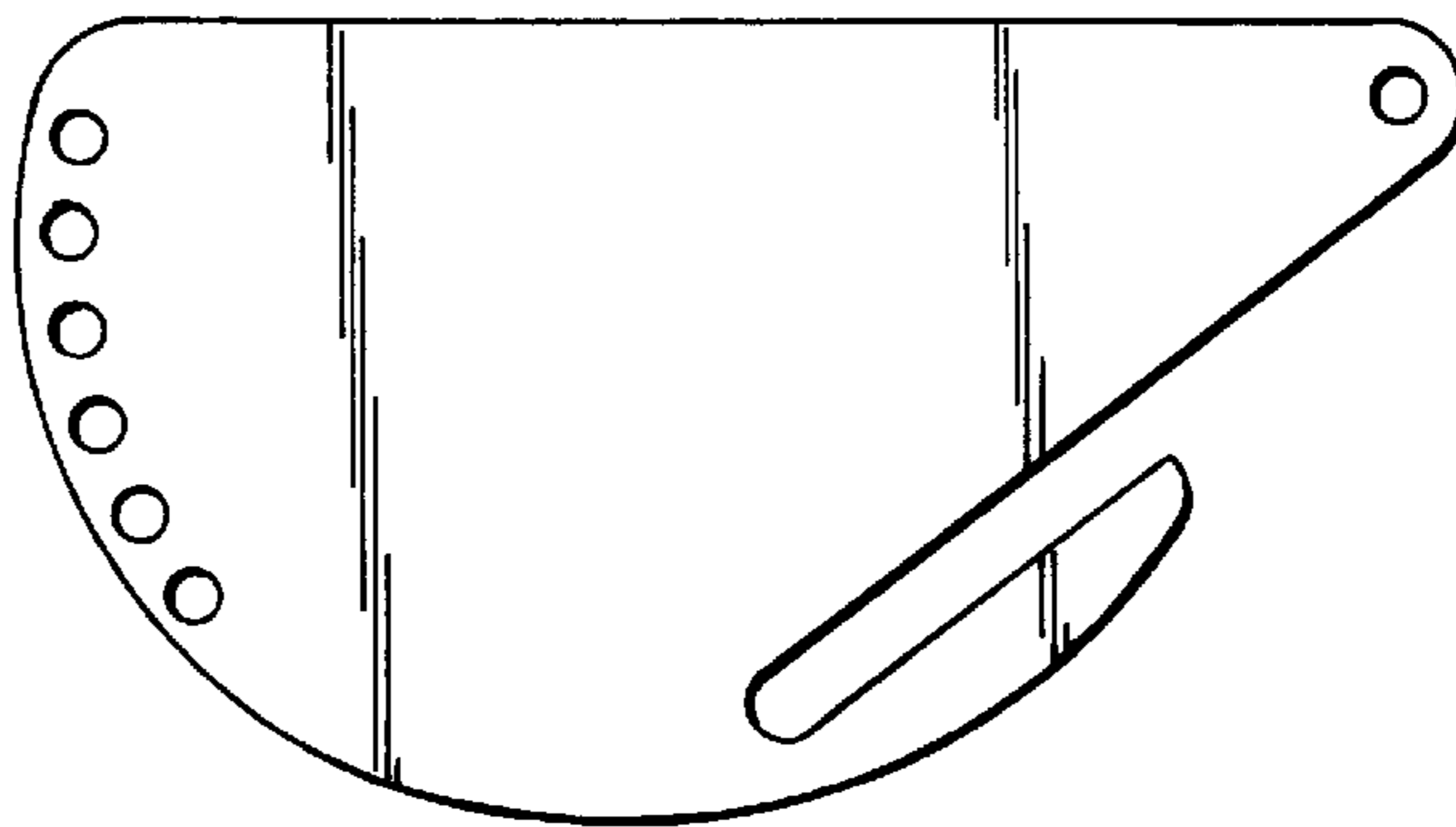


FIG. 4.



FIG. 5.



FIG. 6.