



US00D405148S

United States Patent [19]

Langevin et al.

[11] Patent Number: Des. 405,148

[45] Date of Patent: **Feb. 2, 1999

[54] RIFLE BUTTSTOCK

[75] Inventors: **Kevin R. Langevin**, Camden; **Gary A. Sniezak**, Columbia, both of S.C.

[73] Assignee: **FN Manufacturing Inc.**, Columbia, S.C.

[**] Term: 14 Years

[21] Appl. No.: 81,961

[22] Filed: Jan. 12, 1998

[51] LOC (6) Cl. 22-01

[52] U.S. Cl. D22/108; D22/103

[58] Field of Search D22/103, 108, D22/199; 42/74, 75.03; D21/145, 146

[56] References Cited

U.S. PATENT DOCUMENTS

| | | | | |
|------------|---------|---------------|-------|-----------|
| D. 295,545 | 5/1988 | Bell | | D22/103 |
| D. 304,223 | 10/1989 | Ruger et al. | | D22/103 X |
| D. 346,846 | 5/1994 | Eberle | | D22/108 |
| D. 382,037 | 8/1997 | Scott et al. | | D22/103 X |
| 2,091,010 | 8/1937 | Pachmayr | | 42/74 |
| 3,023,527 | 3/1962 | Leek et al. | . | |
| 4,512,101 | 4/1985 | Waterman, Jr. | . | |

| | | | | |
|-----------|---------|----------------|-------|-------|
| 4,551,937 | 11/1985 | Seehase | | 42/74 |
| 4,555,051 | 11/1985 | Johnson | . | |
| 4,654,993 | 4/1987 | Atchisson | . | |
| 4,663,876 | 5/1987 | Reaume | . | |
| 4,674,216 | 6/1987 | Ruger et al. | . | |
| 4,691,852 | 9/1987 | Phelps | . | |
| 4,823,998 | 4/1989 | Johnson | . | |
| 5,225,613 | 7/1993 | Claridge | | 42/74 |
| 5,752,339 | 5/1998 | Bentley et al. | | 42/74 |

Primary Examiner—Louis S. Zarfaz
Assistant Examiner—Monica A. Weingart
Attorney, Agent, or Firm—Michael A. Mann

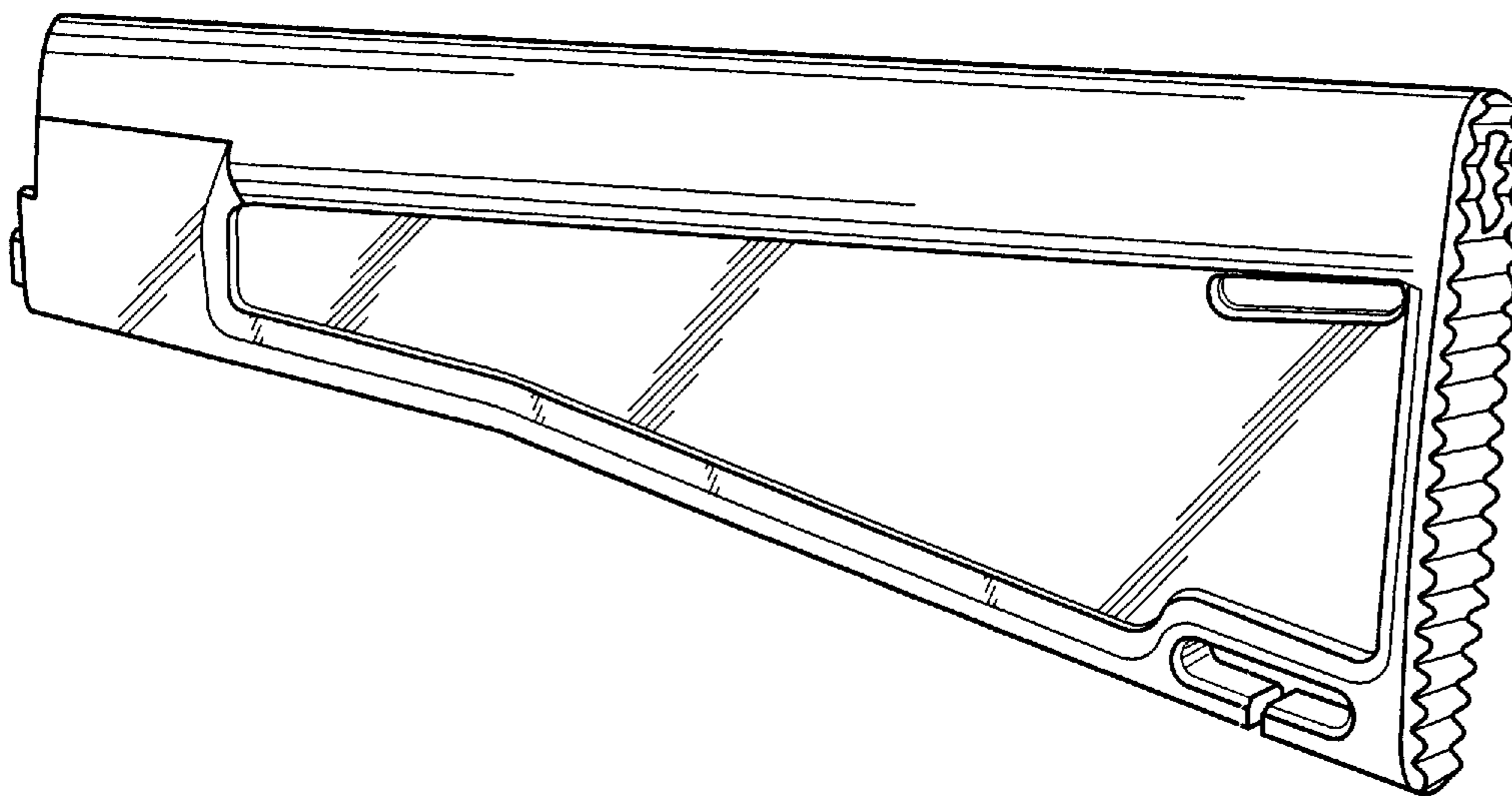
[57] CLAIM

We claim the ornamental design for a rifle buttstock, as shown and described.

DESCRIPTION

FIG. 1 is a perspective view of our design;
FIG. 2 is a left side view thereof, the left and right sides being symmetric;
FIG. 3 is a front view thereof;
FIG. 4 is a back view thereof;
FIG. 5 is a top view thereof; and,
FIG. 6 is a bottom view thereof.

1 Claim, 1 Drawing Sheet



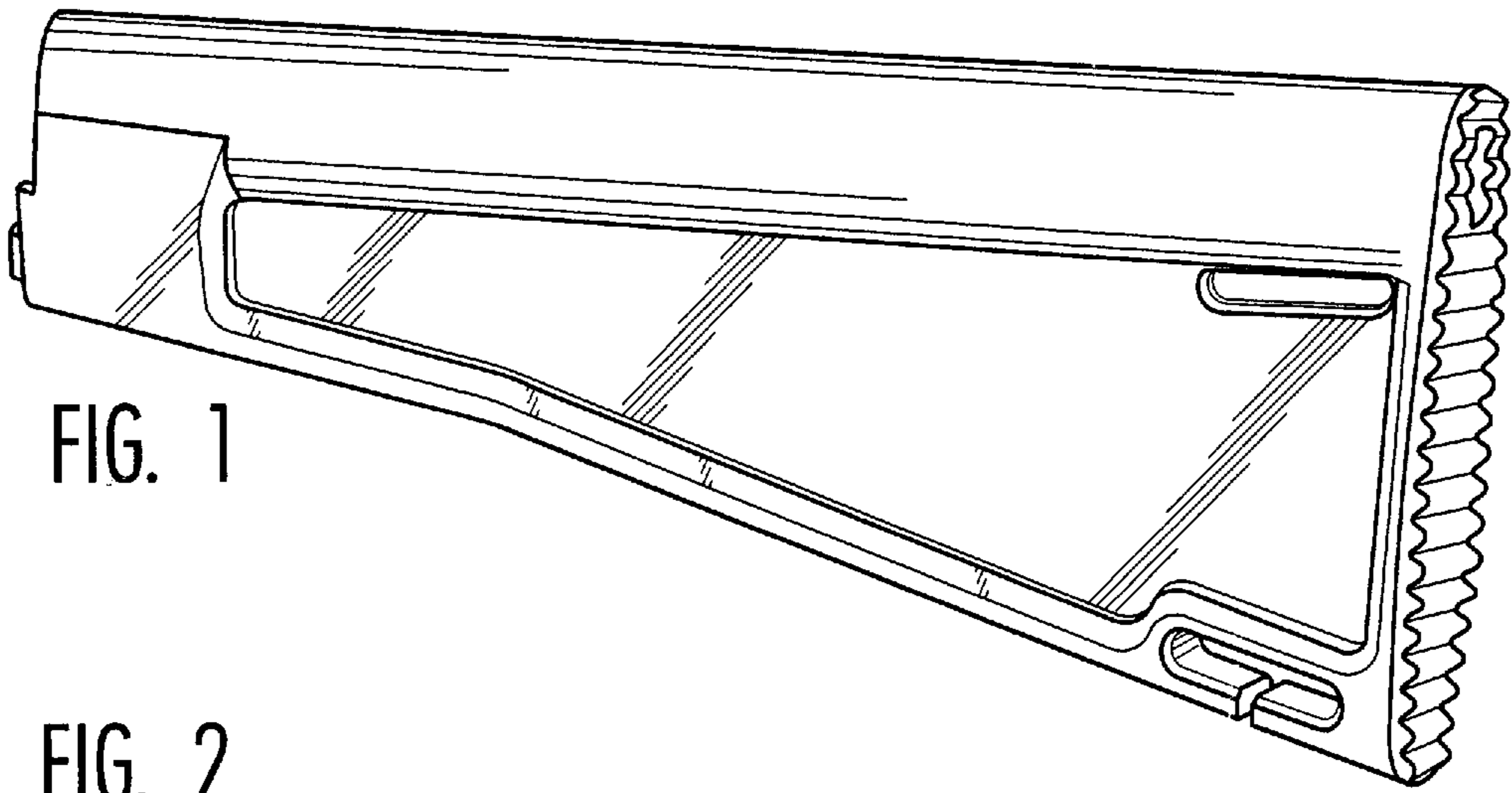


FIG. 1

FIG. 2

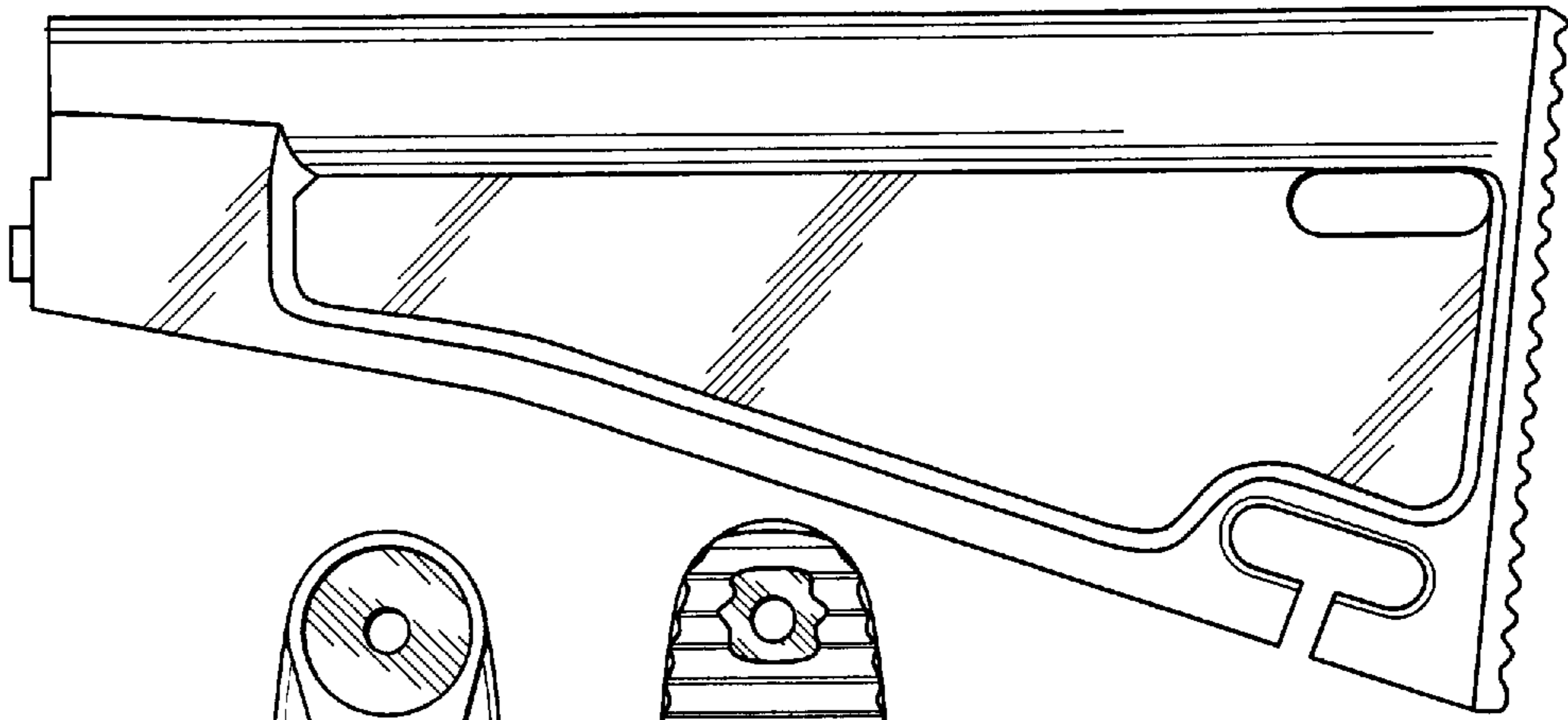


FIG. 3

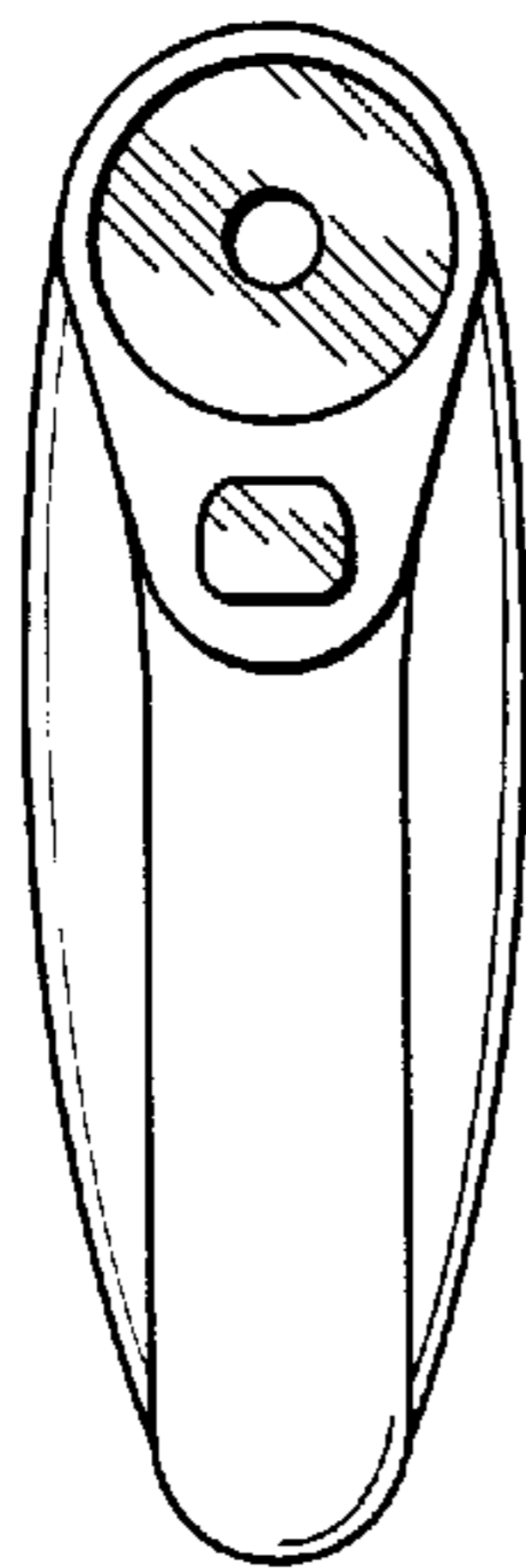


FIG. 4

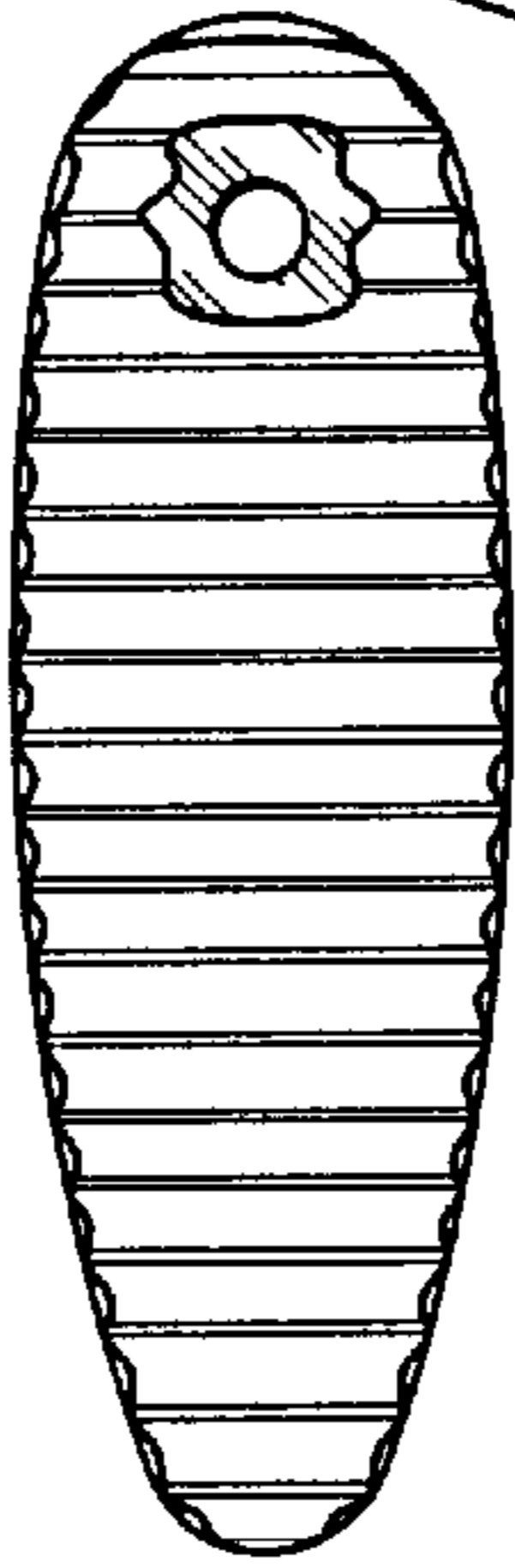


FIG. 5

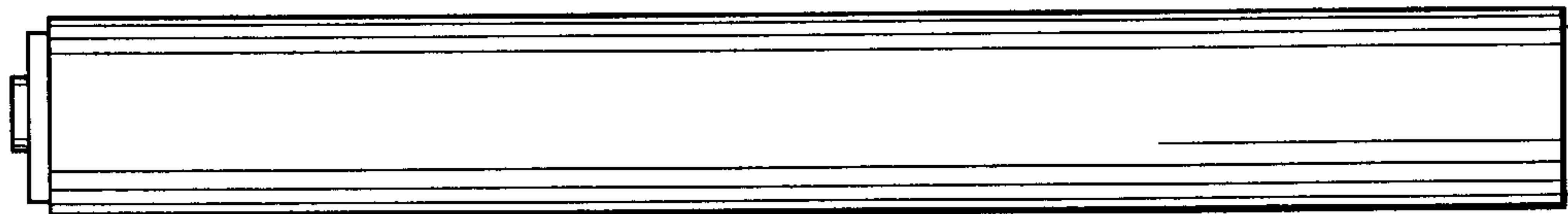


FIG. 6

