



US00D405146S

United States Patent [19]
Picciolo

[11] **Patent Number:** **Des. 405,146**

[45] **Date of Patent:** ****Feb. 2, 1999**

[54] **WRIST FLIPPER**

[76] Inventor: **Frank J Picciolo**, 3/121 Bronte Road,
Bondi Junction, Sydney, NSW, 2022,
Australia

[**] Term: **14 Years**

[21] Appl. No.: **65,484**

[22] Filed: **Jan. 23, 1997**

[51] **LOC (6) Cl.** **21-06**

[52] **U.S. Cl.** **D21/806; D21/807**

[58] **Field of Search** D21/237, 238,
D21/239; 441/55, 58, 61, 64, 56; 482/55,
111

[56] **References Cited**

U.S. PATENT DOCUMENTS

D. 363,754	10/1995	Johnson	D21/237
1,626,163	4/1927	Smith	441/58
1,717,026	6/1929	Hammett	441/58
1,754,704	4/1930	Wilcox	441/58
5,385,521	1/1995	Weissbuch	482/55

Primary Examiner—Kay H. Chin

[57] **CLAIM**

The ornamental design for a wrist flipper, as shown and described.

DESCRIPTION

FIG. 1 is a perspective view of a wrist flipper showing the flipper strapped on a wrist;

FIG. 2 is a top plan view of FIG. 1;

FIG. 3 is a bottom plan view of FIG. 1;

FIG. 4 is a left side view of FIG. 1;

FIG. 5 is a front view of FIG. 1;

FIG. 6 is a rear view of FIG. 1;

FIG. 7 is a perspective view of a second embodiment of the wrist flipper;

FIG. 8 is a top plan view of FIG. 7;

FIG. 9 is a bottom plan view of FIG. 7;

FIG. 10 is a side view of FIG. 7;

FIG. 11 is a front view of FIG. 7;

FIG. 12 is a rear view of FIG. 7;

FIG. 13 is a perspective view of a third embodiment of the wrist flipper;

FIG. 14 is a top plan view of FIG. 13;

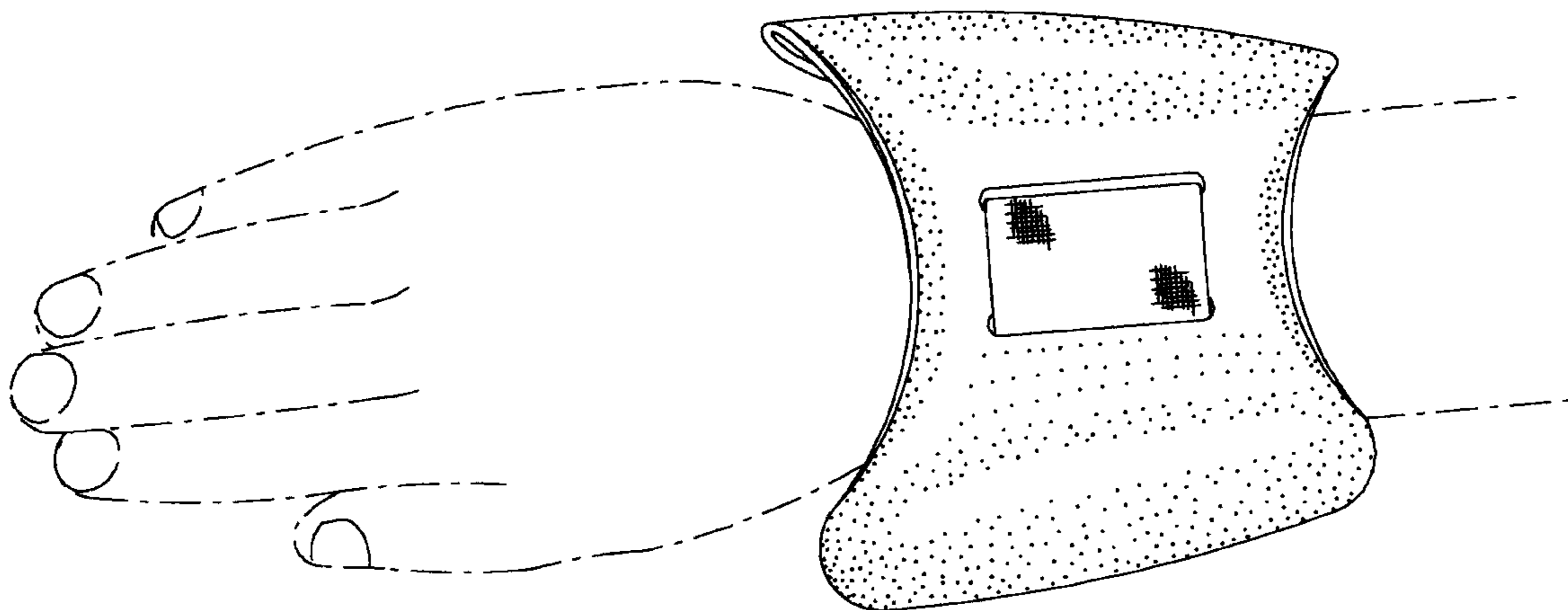
FIG. 15 is a bottom plan view of FIG. 13;

FIG. 16 is a side view of FIG. 13;

FIG. 17 is a front view of FIG. 13; and,

FIG. 18 is a rear view of FIG. 13.

1 Claim, 12 Drawing Sheets



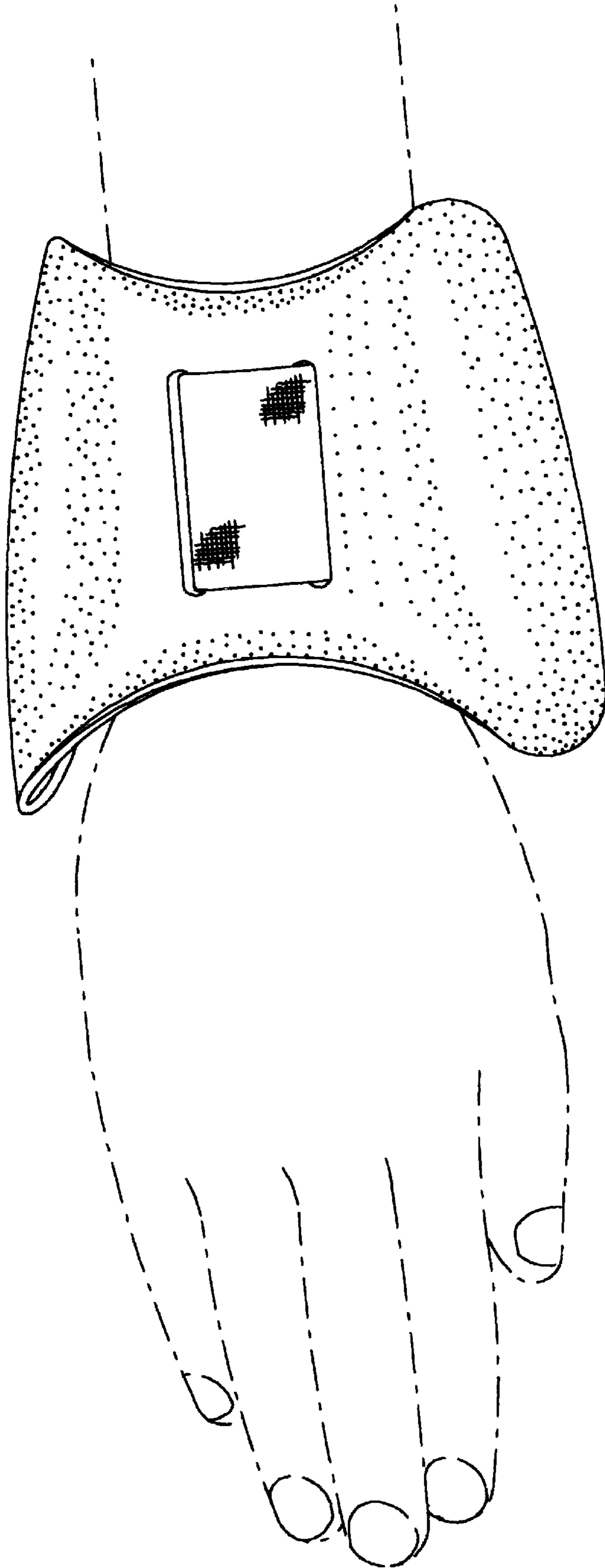


FIG. 1

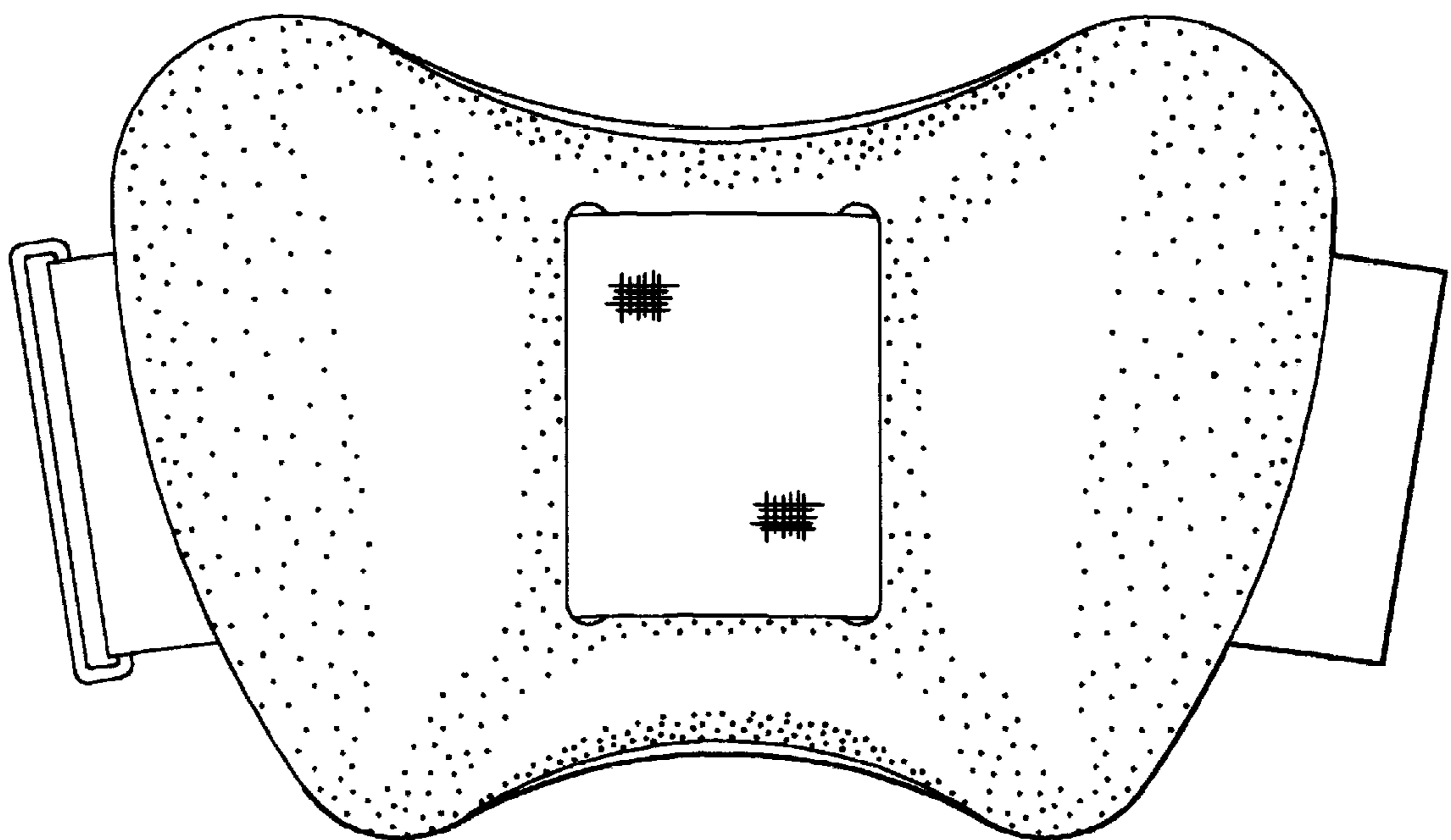


FIG. 2

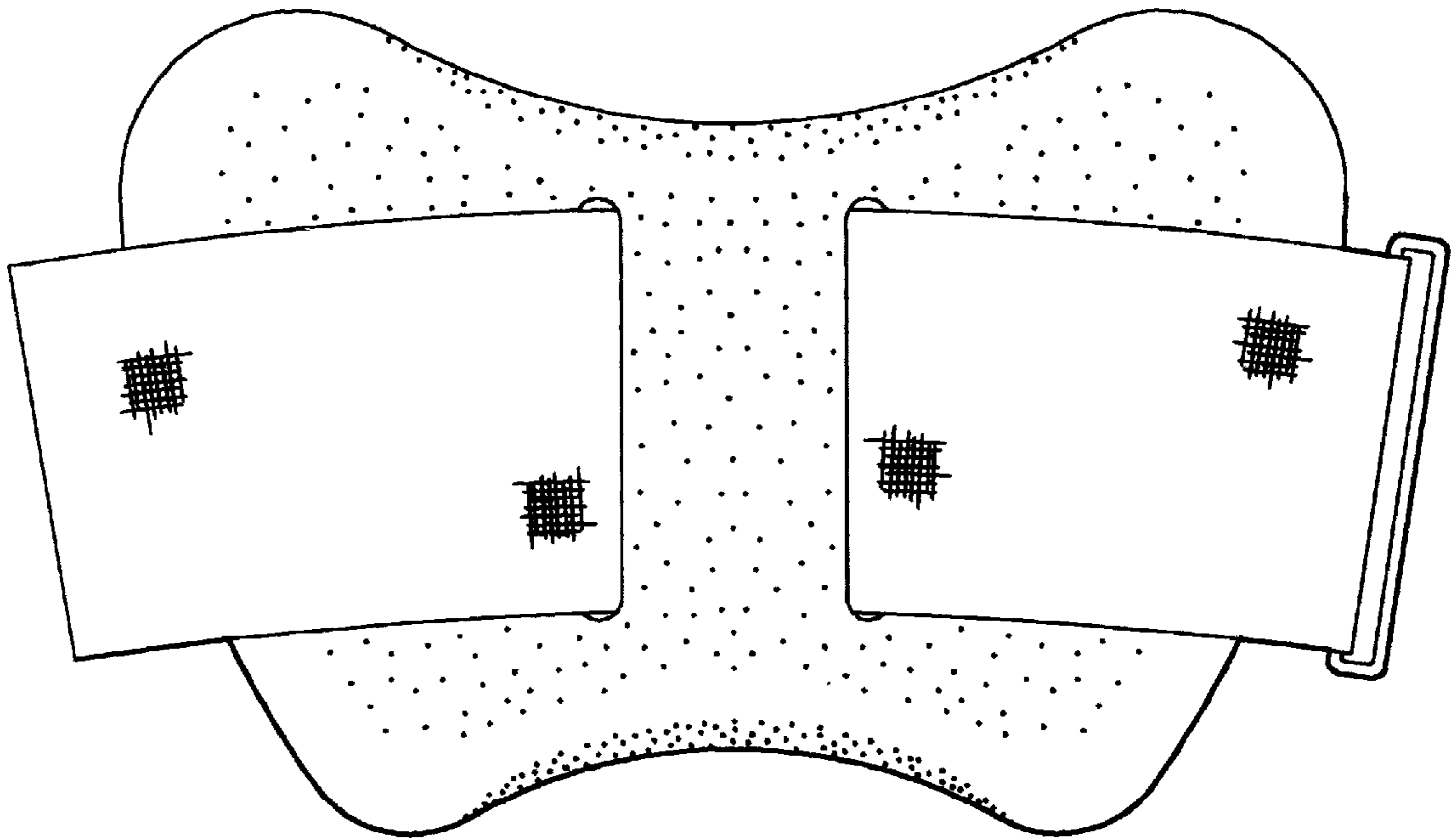


FIG. 3

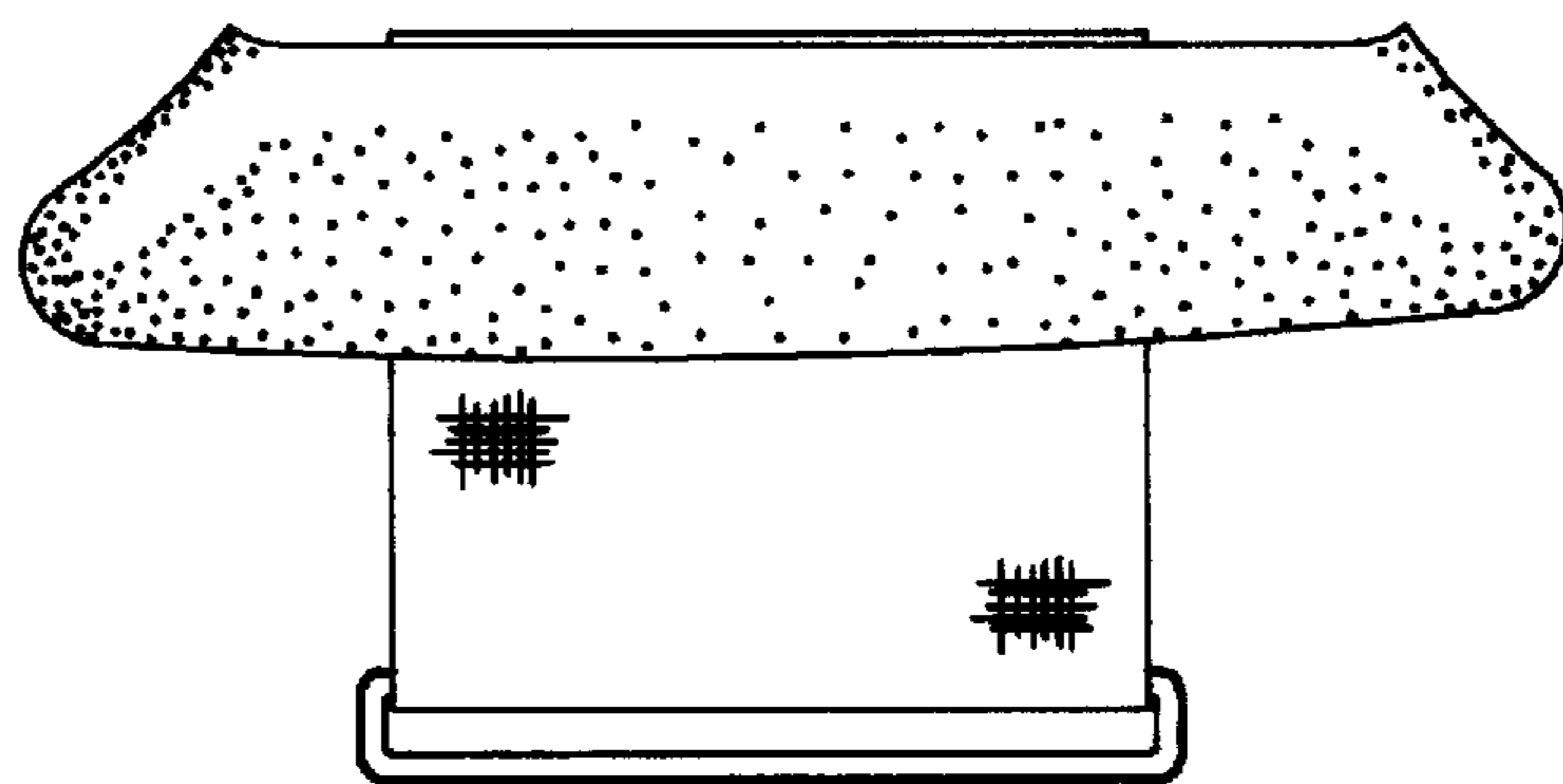


FIG. 4

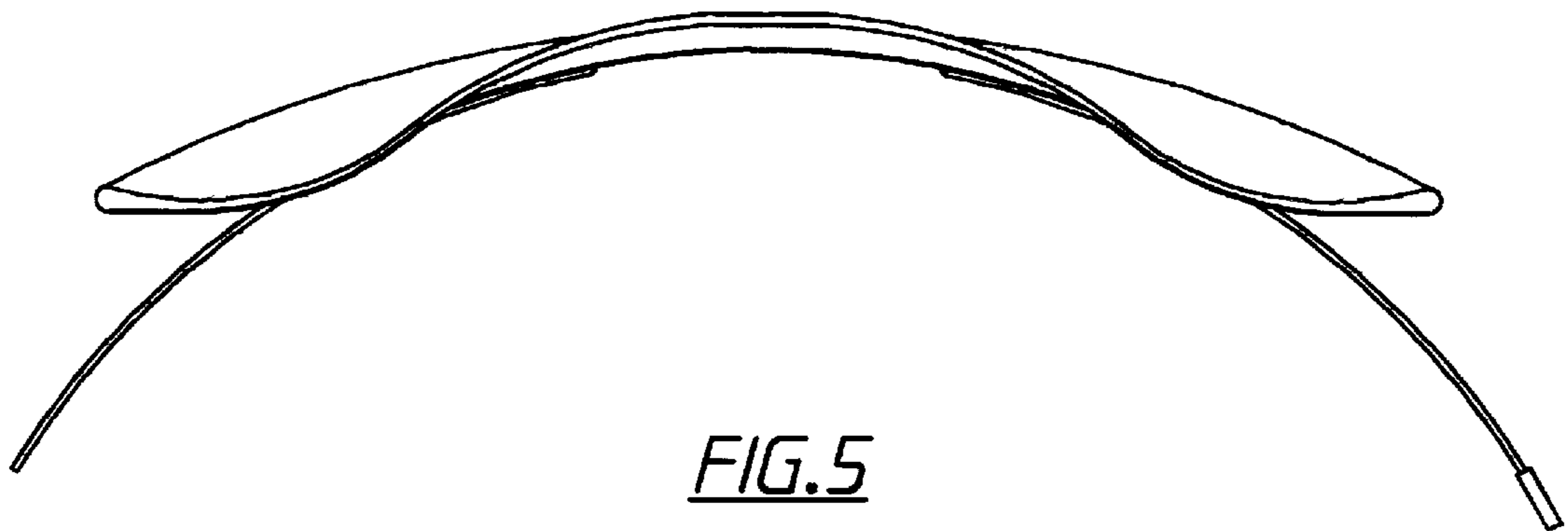


FIG. 5

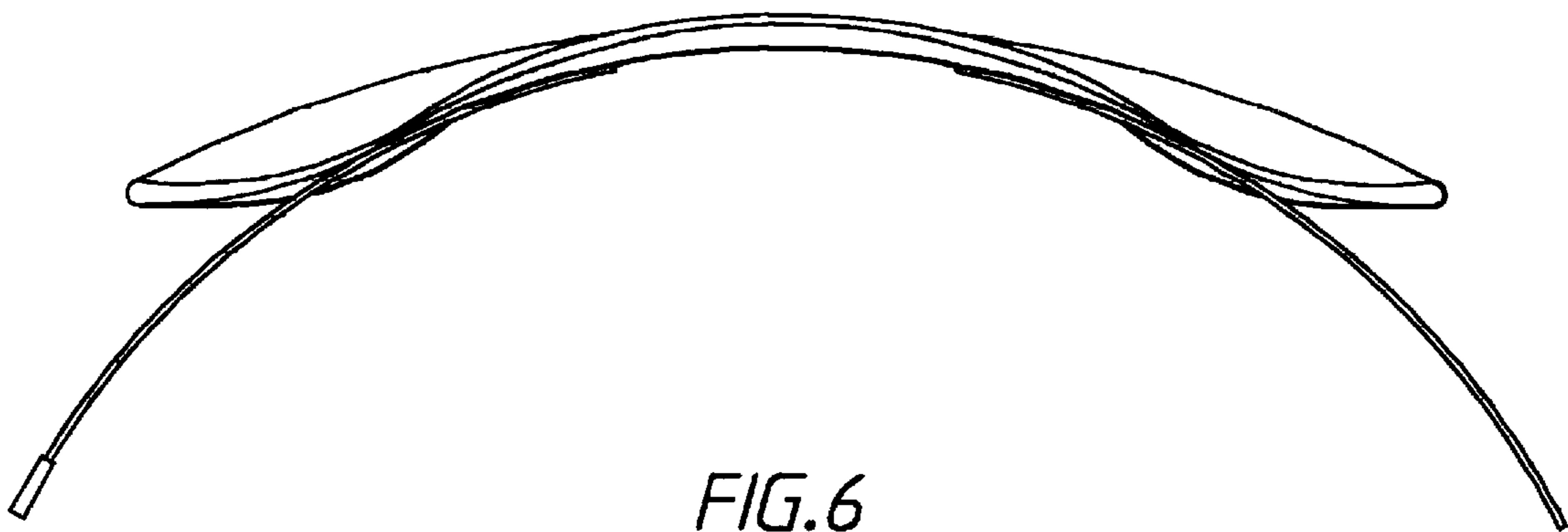


FIG. 6

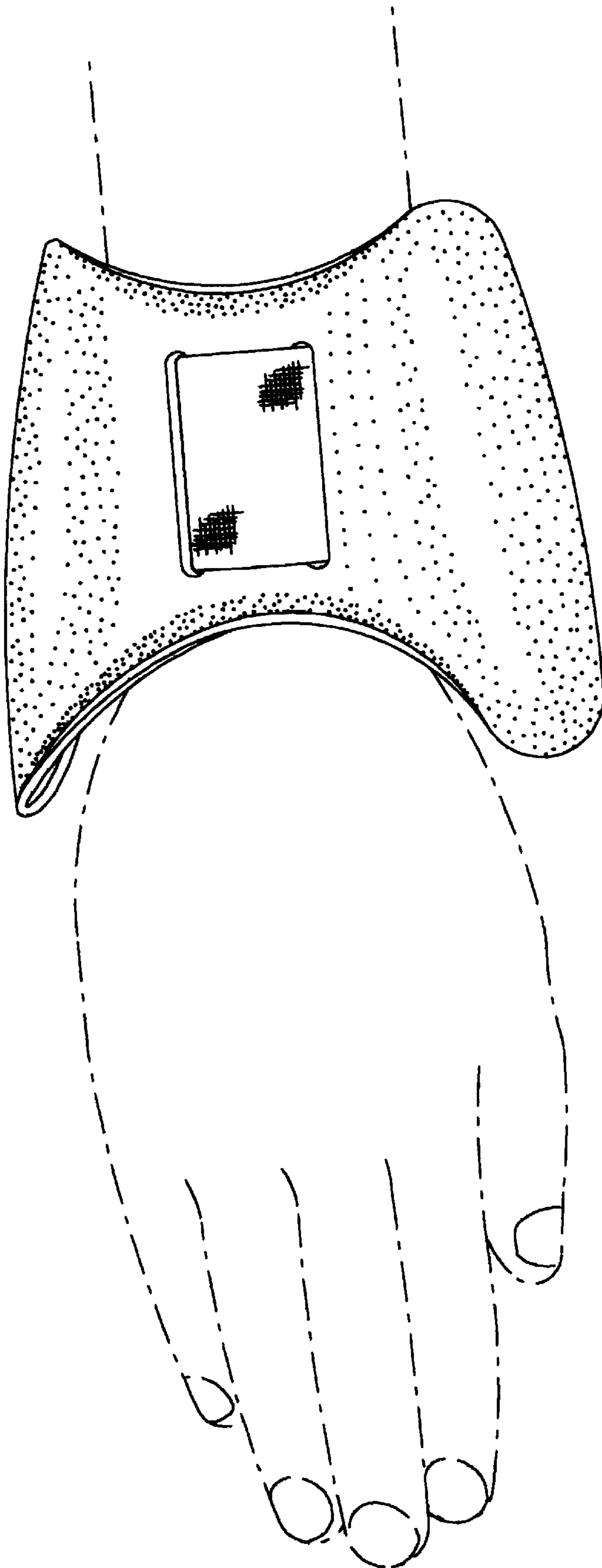


FIG. 7

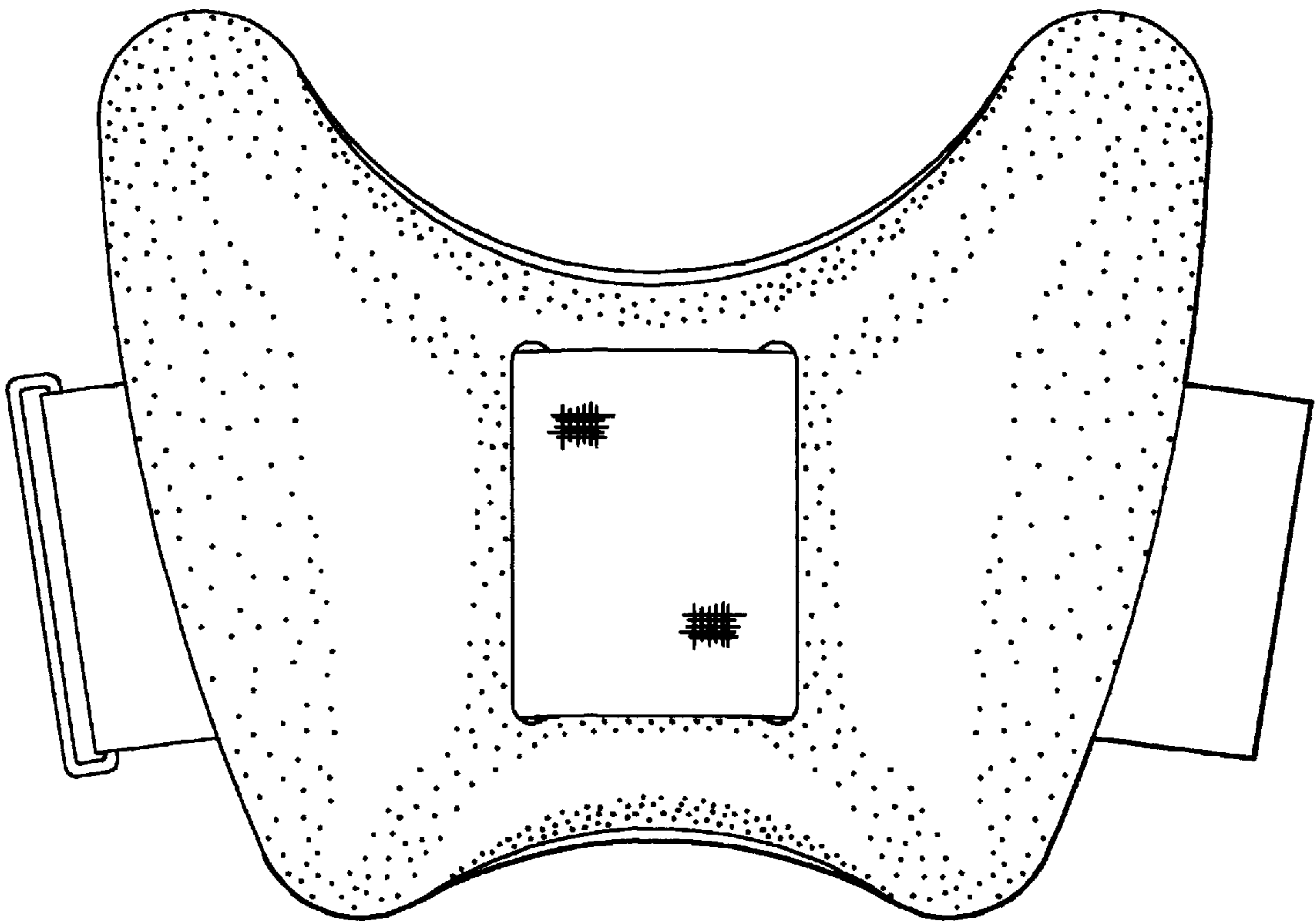


FIG. 8

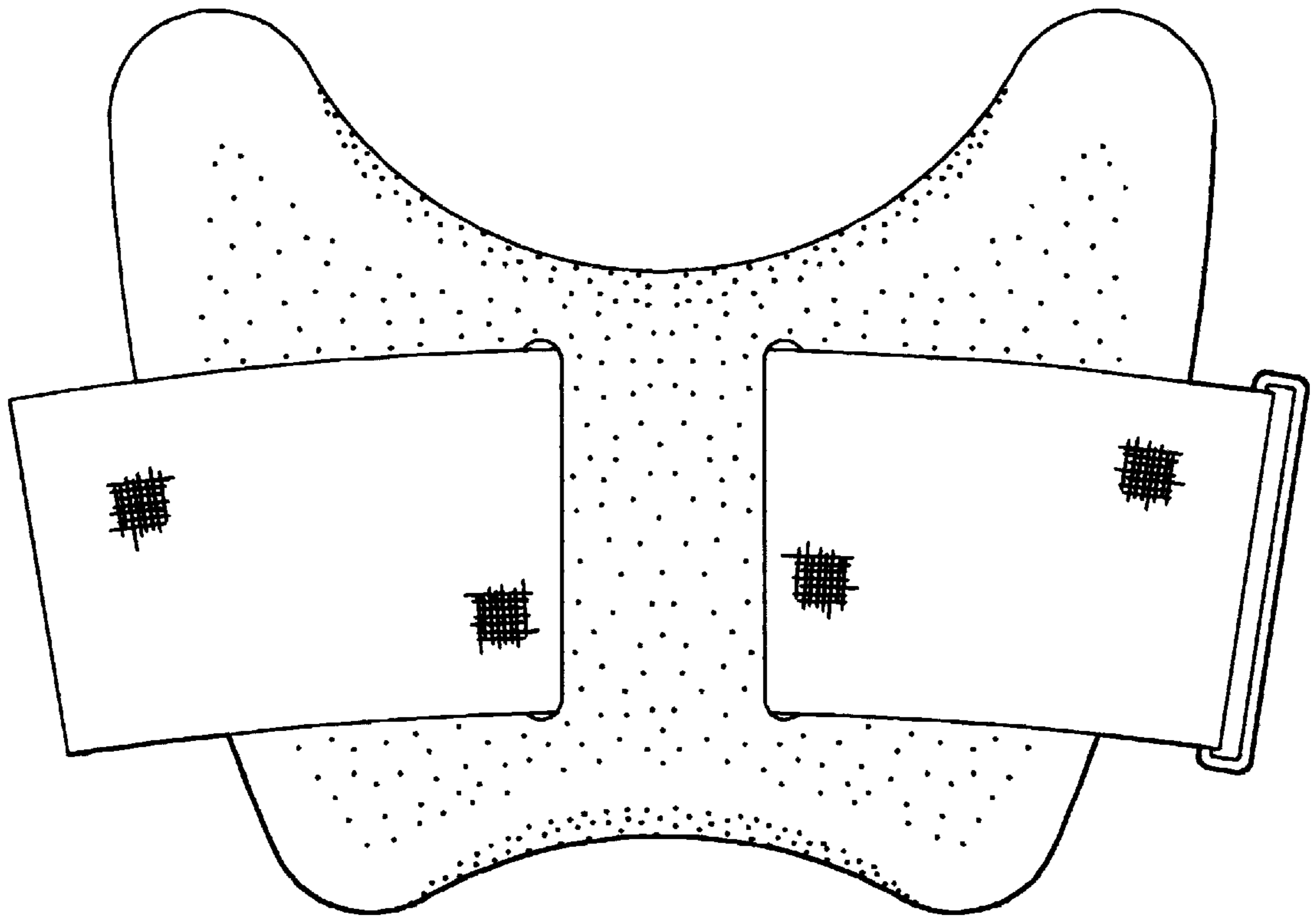


FIG. 9

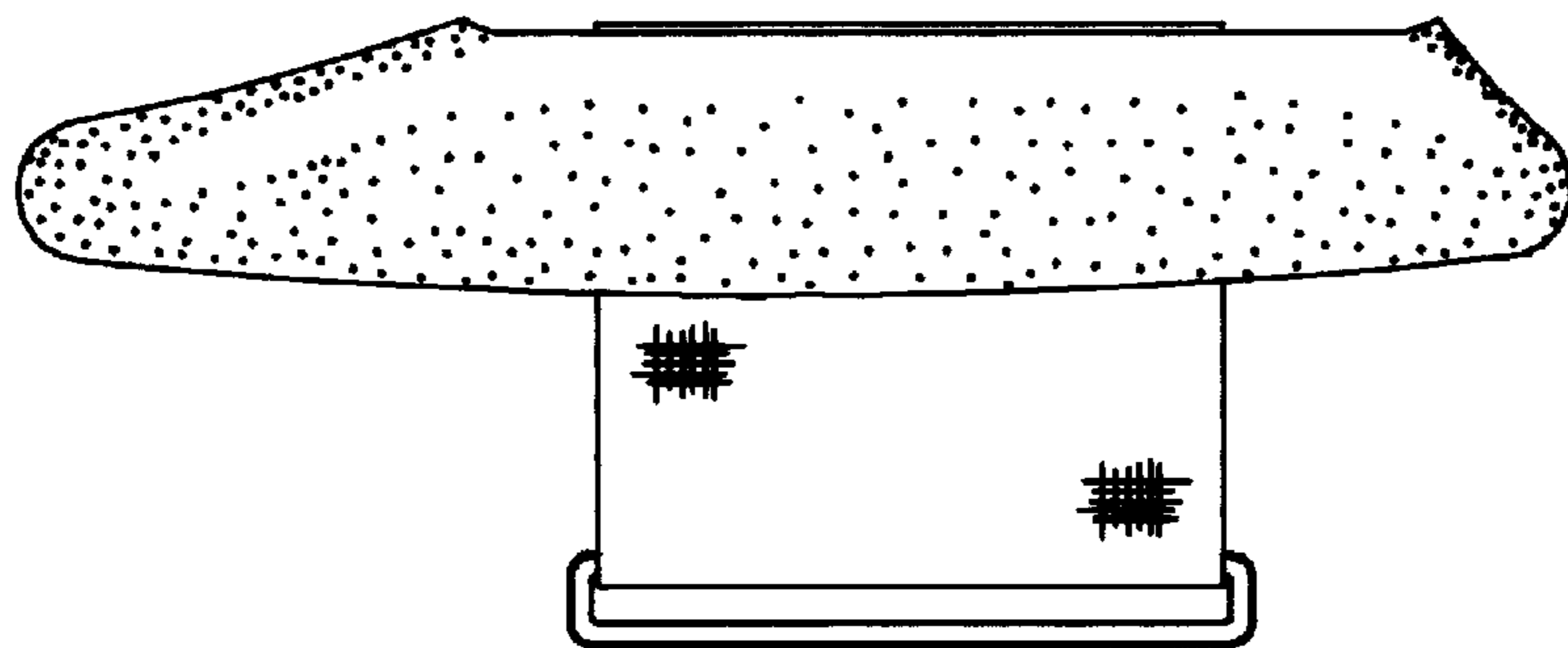


FIG. 10

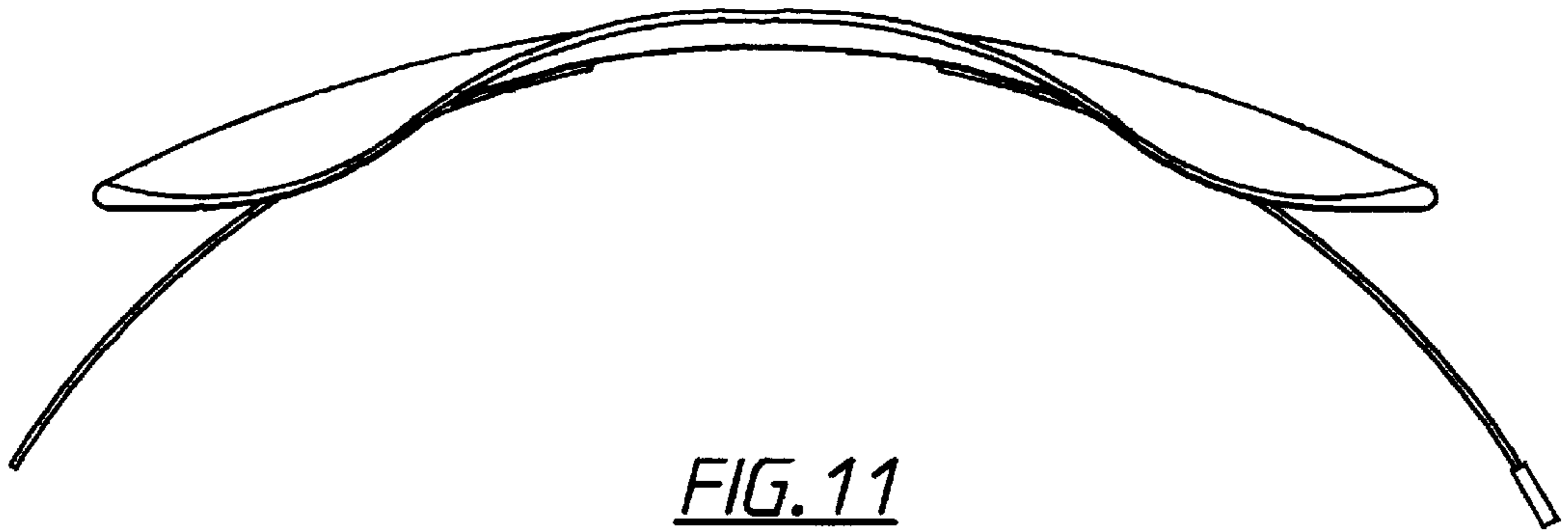


FIG. 11

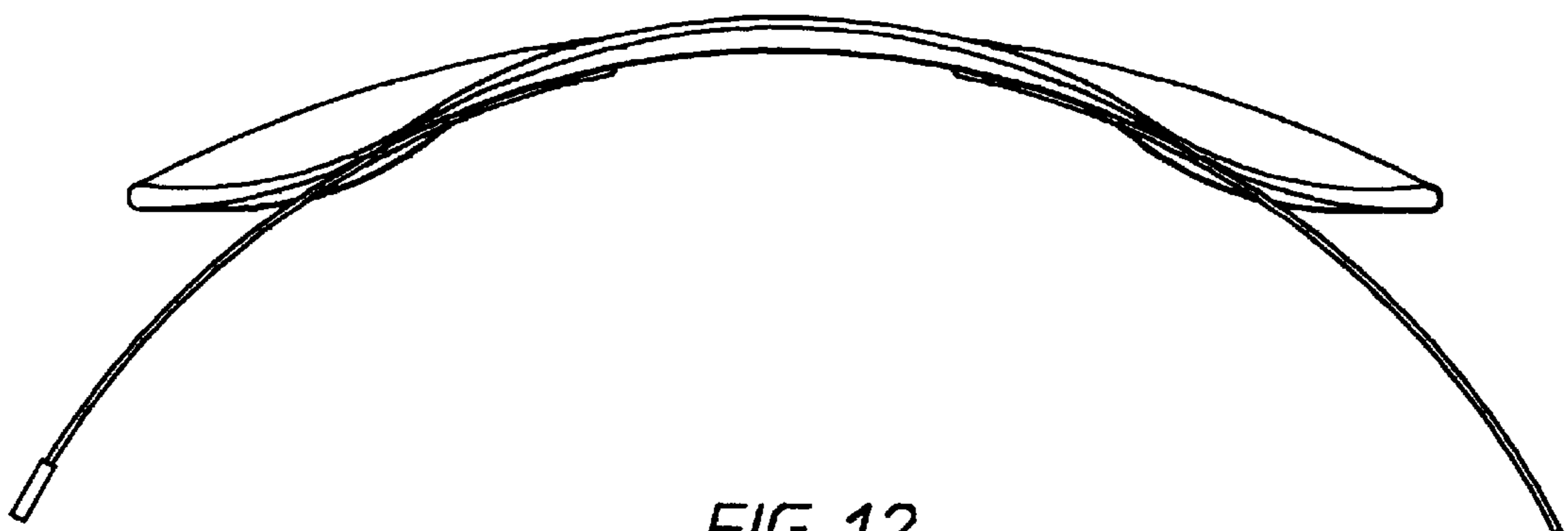


FIG. 12

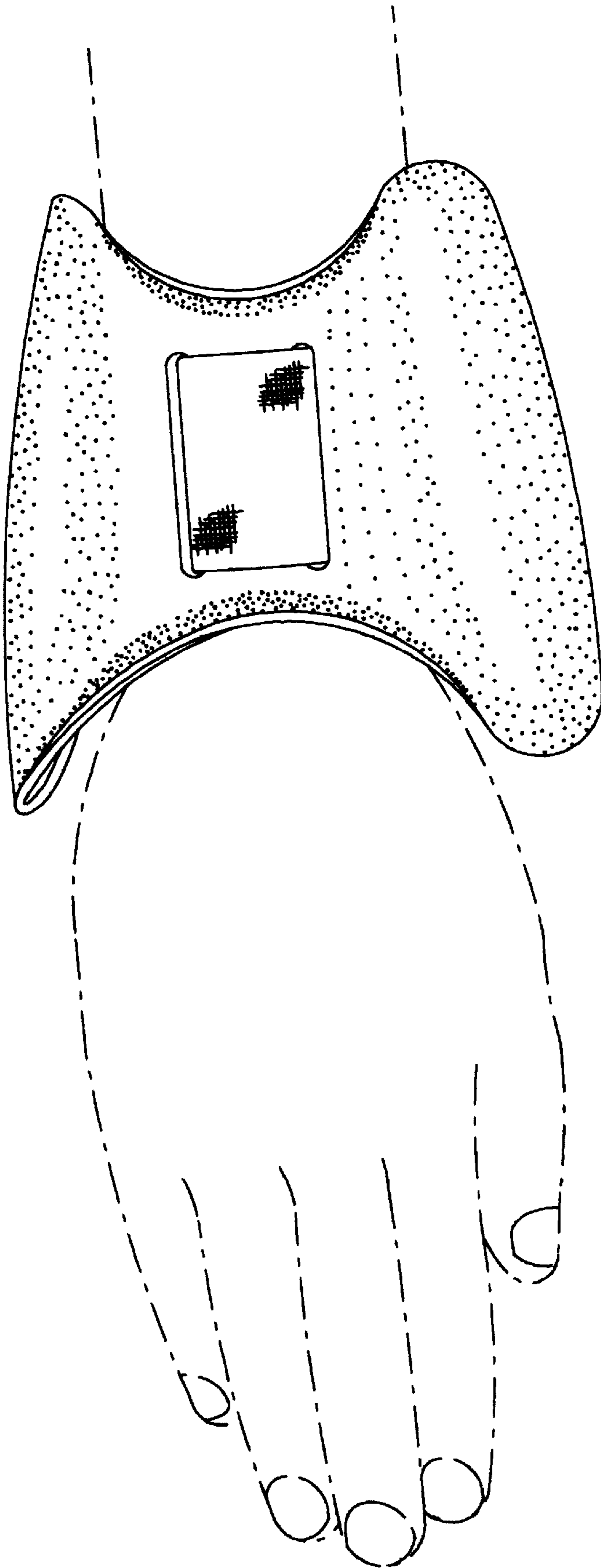


FIG. 13

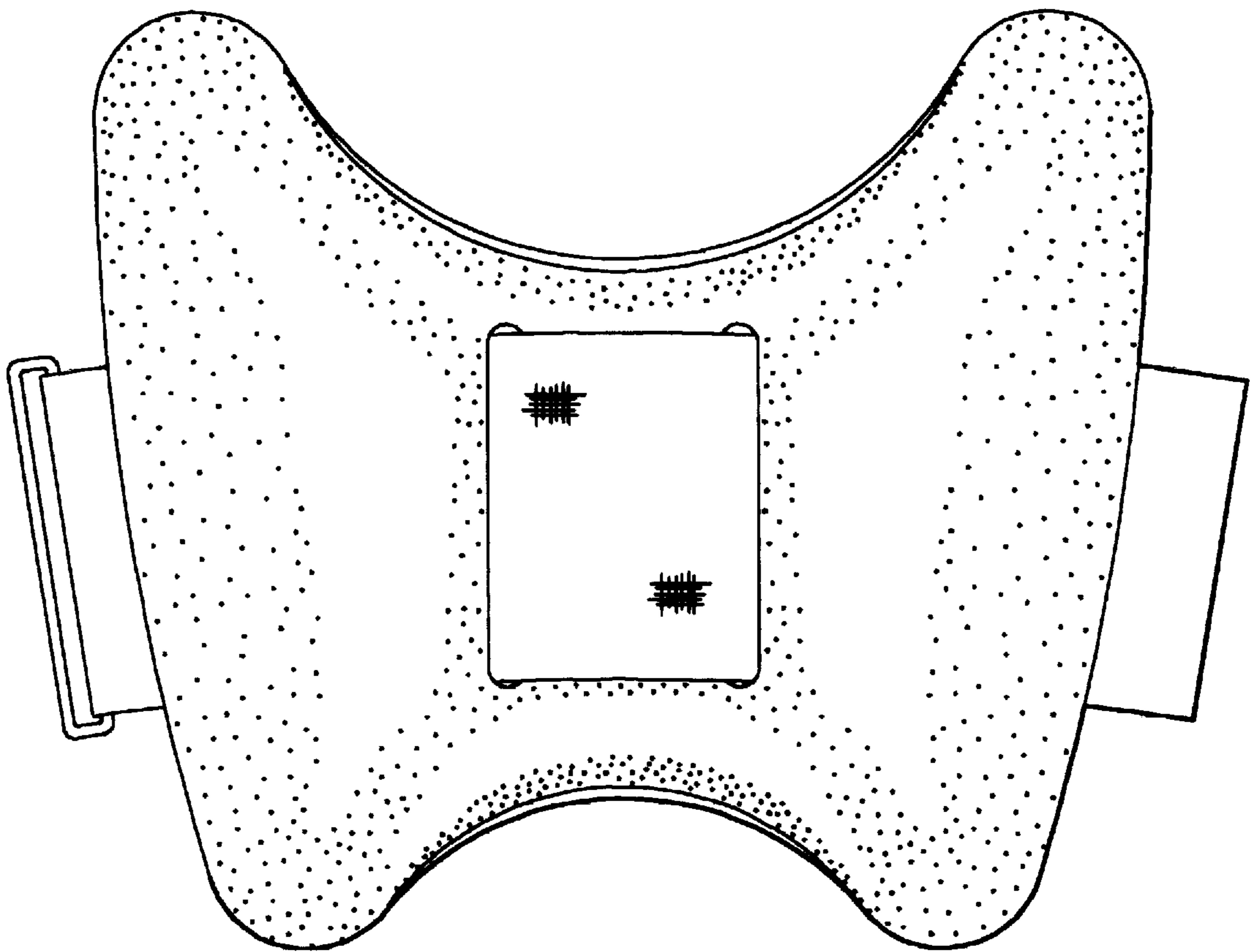


FIG. 14

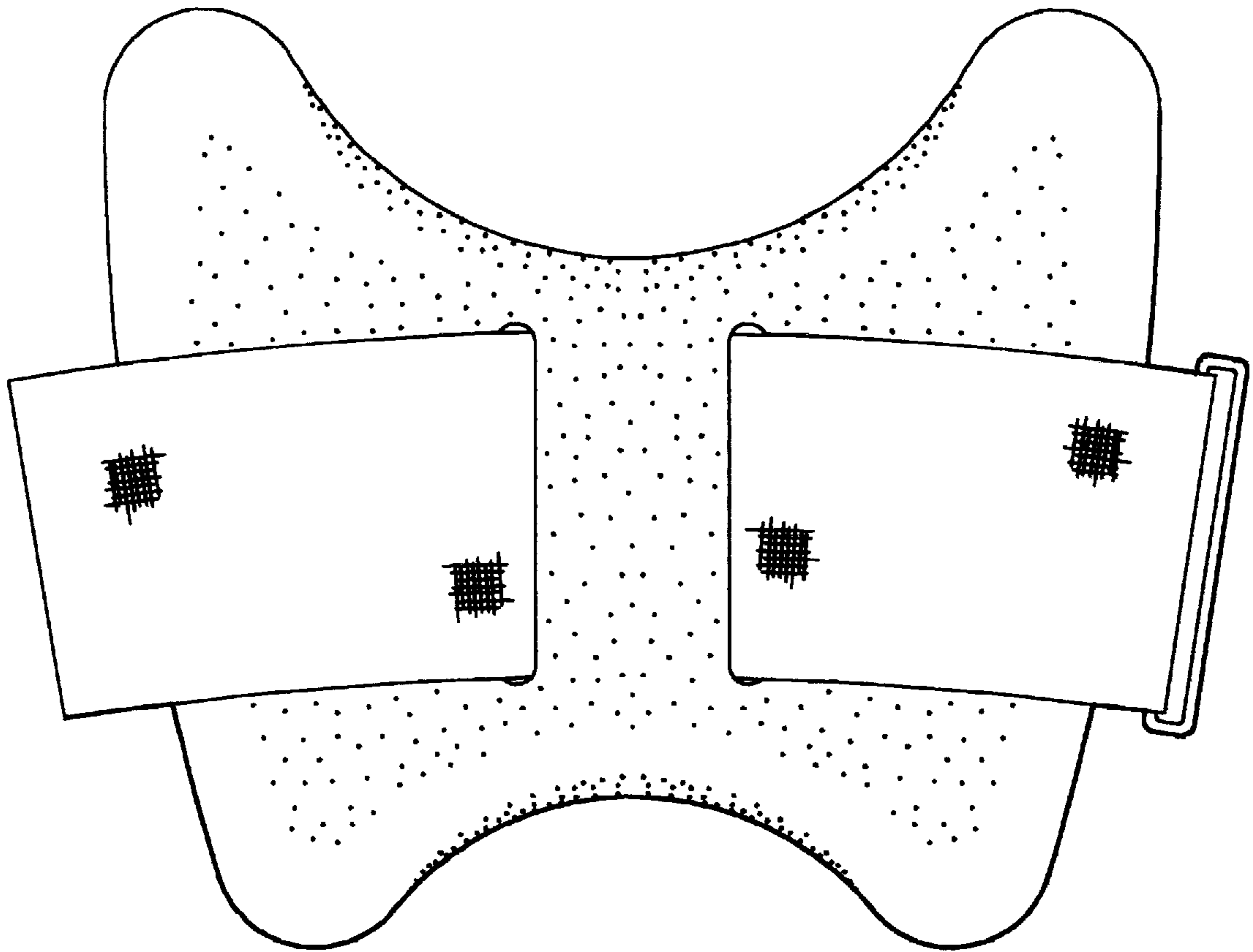


FIG. 15

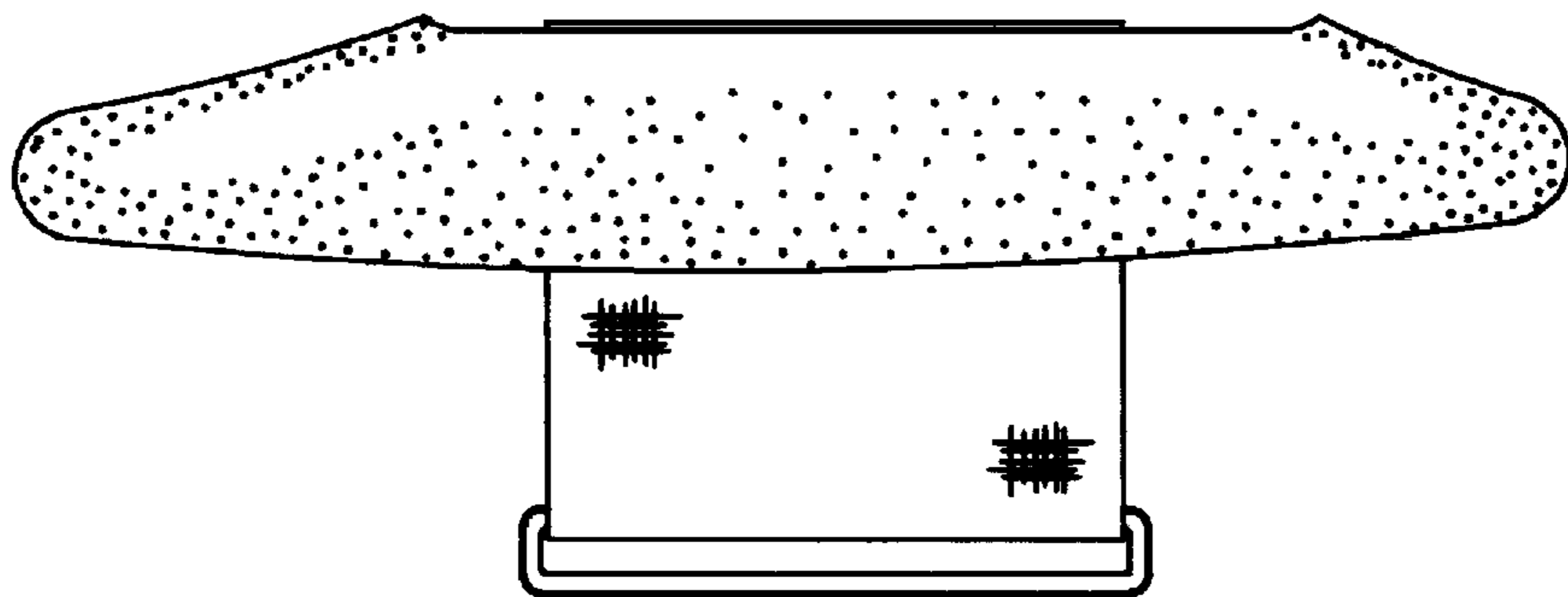


FIG. 16

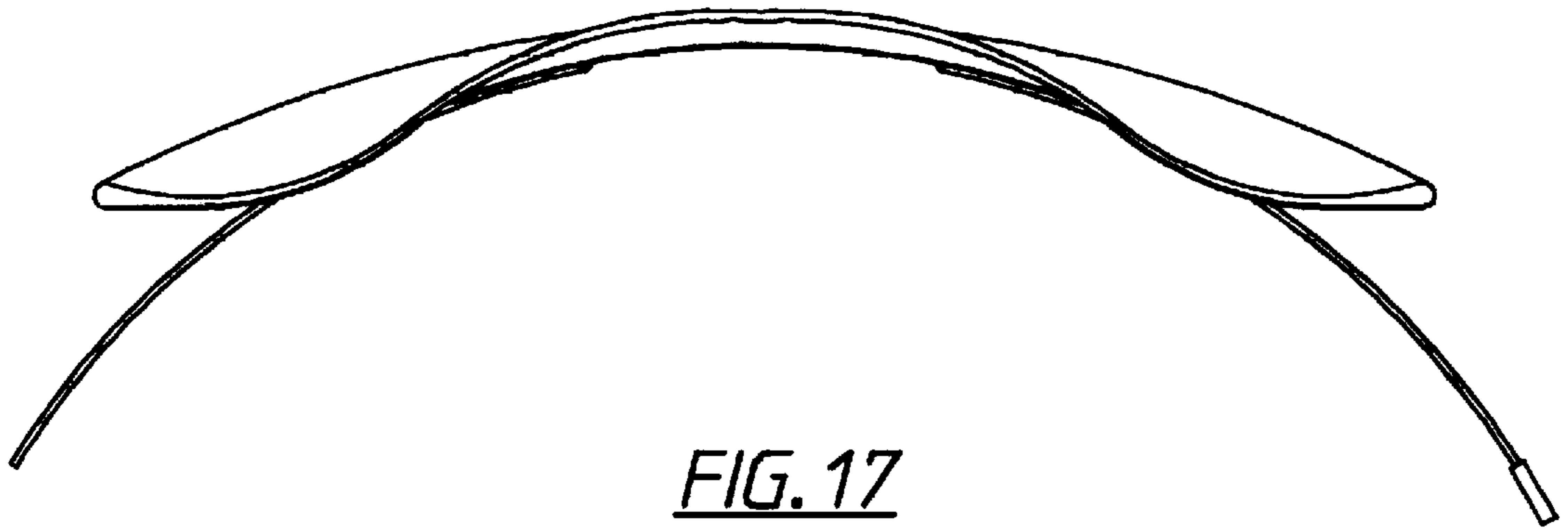


FIG. 17

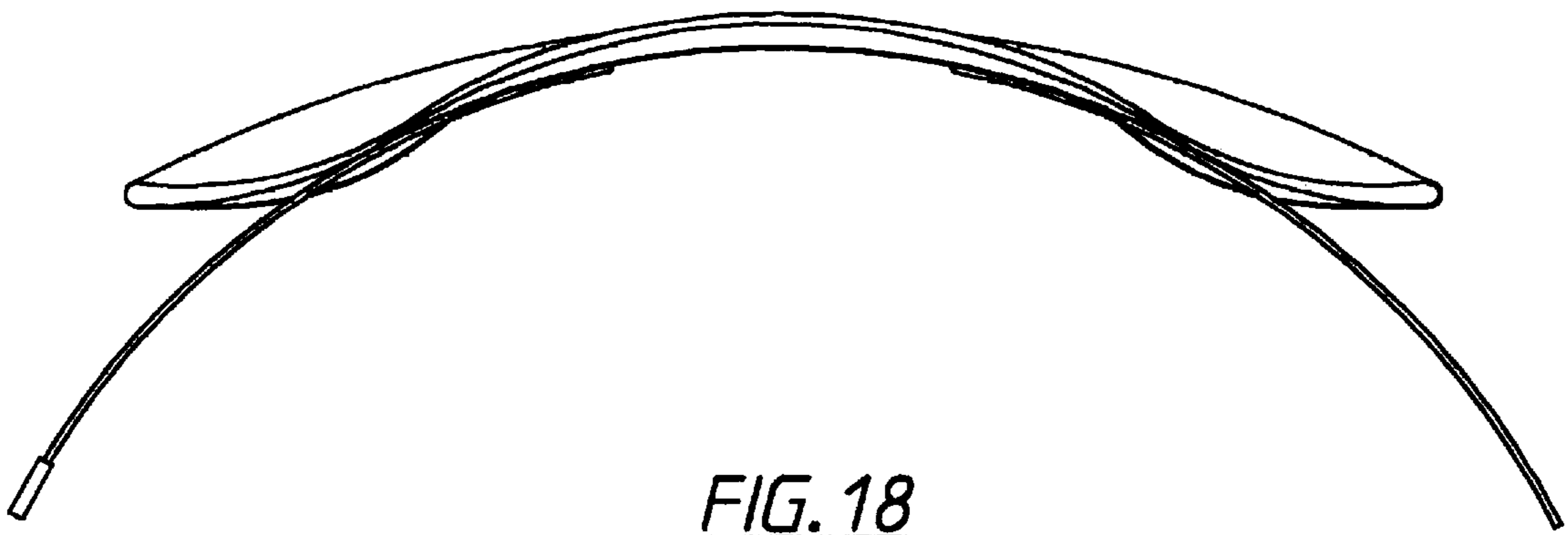


FIG. 18