



US00D405138S

United States Patent [19]
Koumarianos

[11] **Patent Number:** **Des. 405,138**

[45] **Date of Patent:** ****Feb. 2, 1999**

[54] **GOLF PUTTER HEAD**

[76] Inventor: **Angelo Koumarianos**, 248 24th Ave.,
South Seaside Park, N.J. 08752

[**] Term: **14 Years**

[21] Appl. No.: **88,173**

[22] Filed: **May 18, 1998**

[51] **LOC (6) Cl.** **21-02**

[52] **U.S. Cl.** **D21/738**

[58] **Field of Search** D21/736-746;
473/251-256, 340, 341

[56] **References Cited**

U.S. PATENT DOCUMENTS

D. 380,799	7/1997	Arnold	D21/741
5,415,399	5/1995	Kettelson	473/341
5,423,545	6/1995	Narry	473/744 X

OTHER PUBLICATIONS

Golf Digest; p. 47; item No. 9, Dec. 1973.

Primary Examiner—Ted Shooman
Assistant Examiner—Mitchell I. Siegel
Attorney, Agent, or Firm—Clifford G. Frayne

[57] **CLAIM**

An ornamental design for a golf putter head, as shown.

DESCRIPTION

FIG. 1 is a perspective front view of the golf putter head; FIG. 2 is a rear view of the golf putter head; FIG. 3 is an end view of the golf putter head; FIG. 4 is an opposing end view of the golf putter head; FIG. 5 is a top view of the golf putter head; and, FIG. 6 is a bottom view of the golf putter head. The broken line of the fragmented shaft is for illustrative purposes only and forms no part of the claimed design.

1 Claim, 2 Drawing Sheets

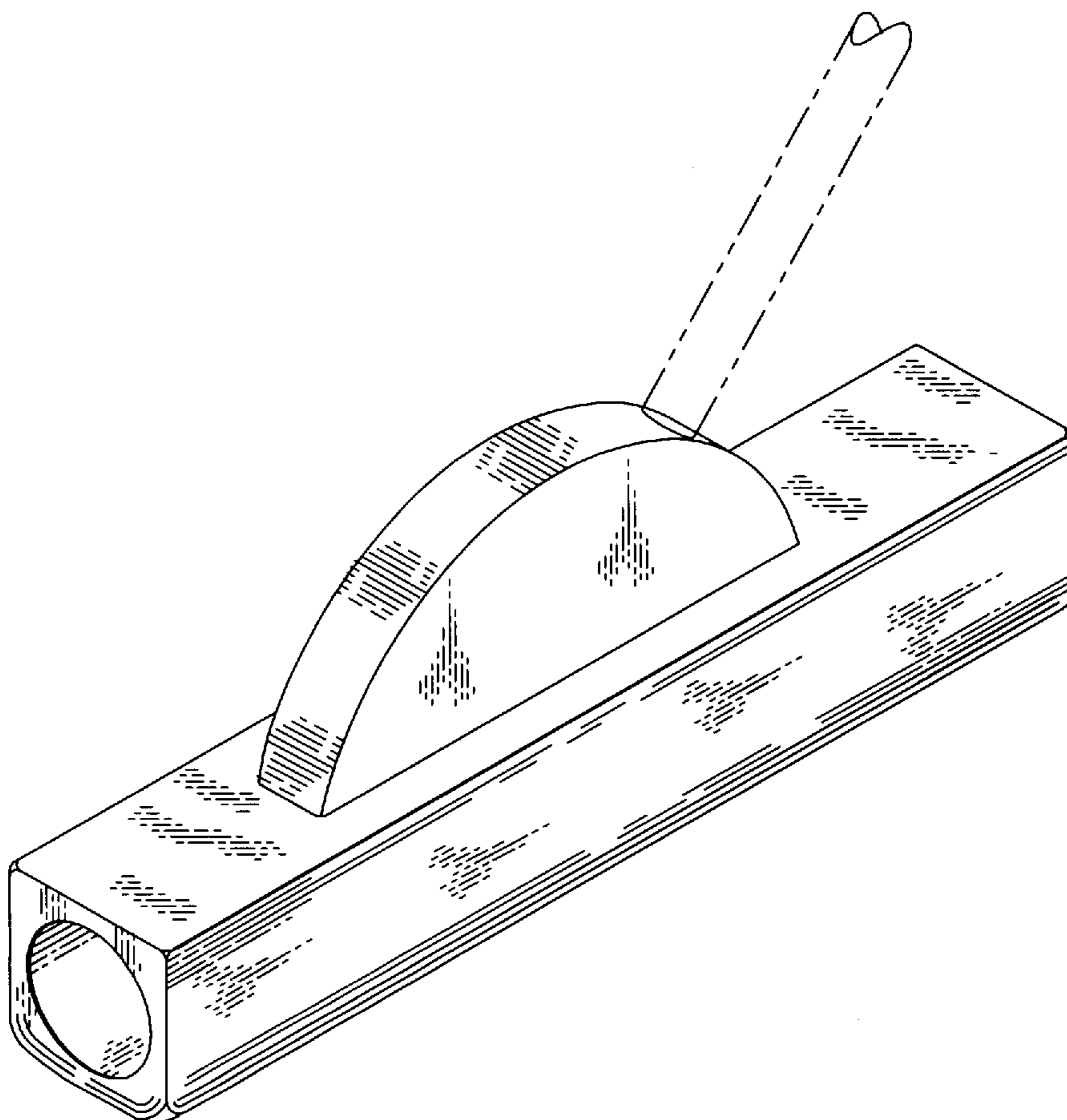


FIG. 1

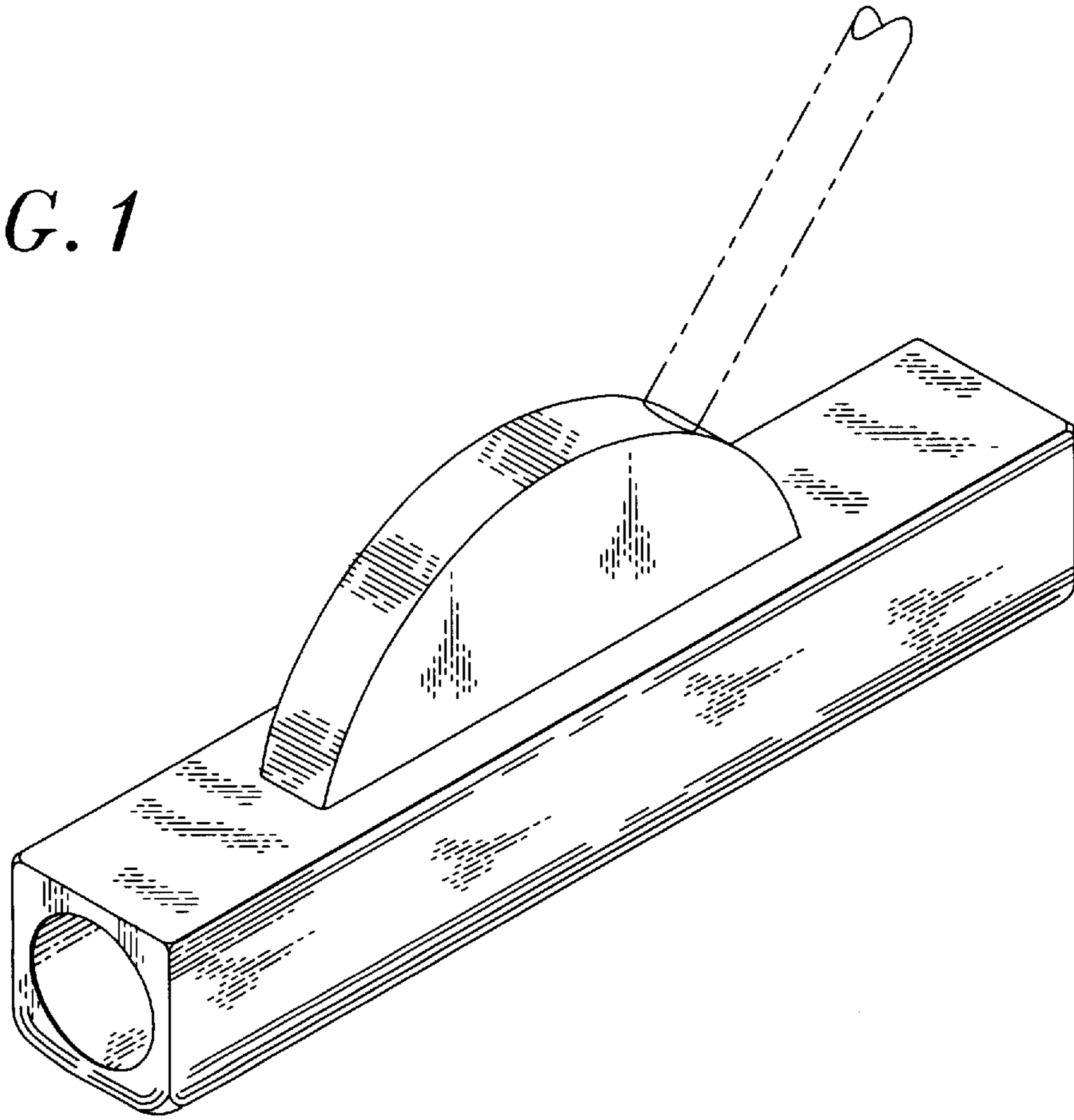


FIG. 2

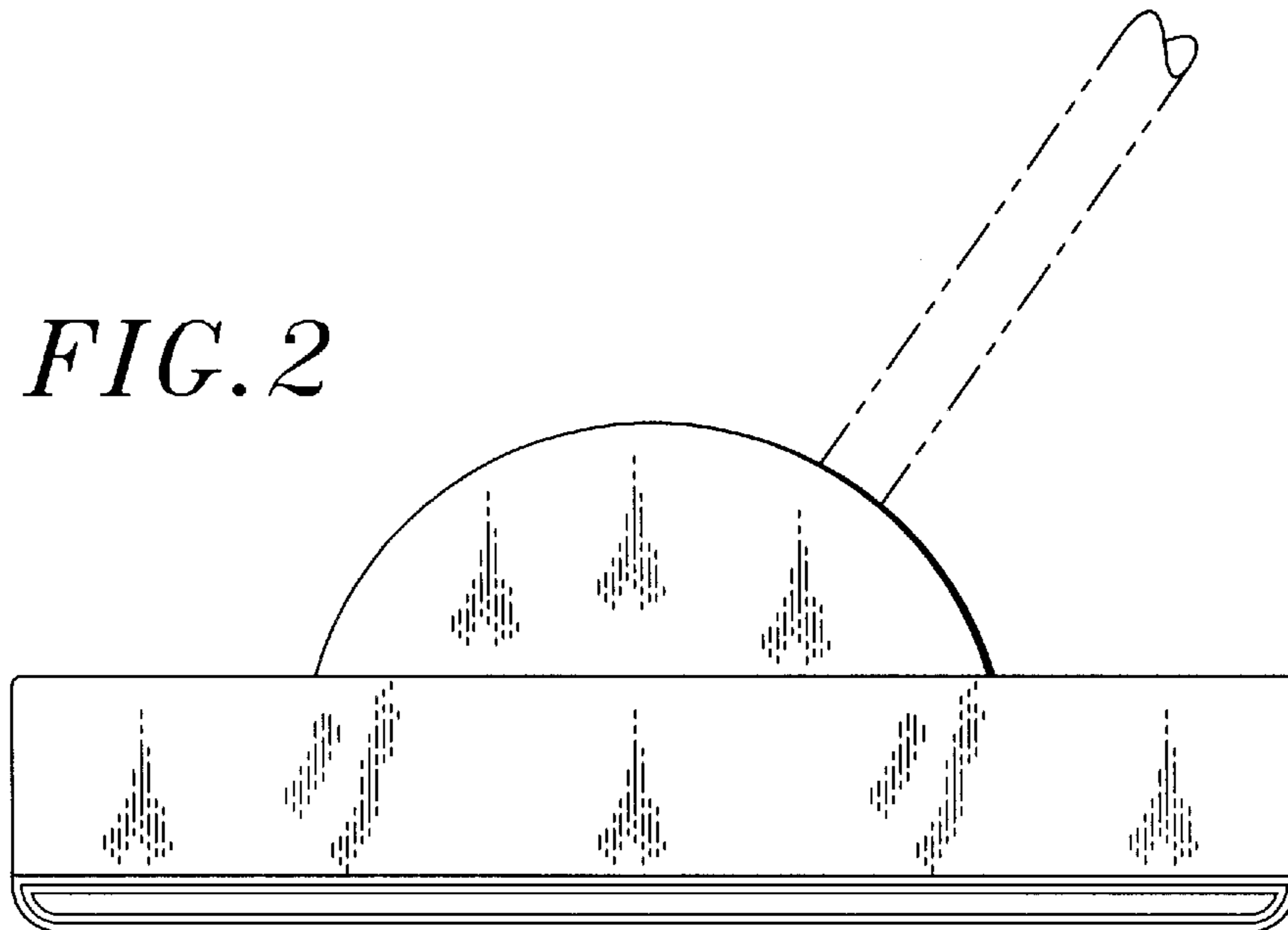


FIG. 3

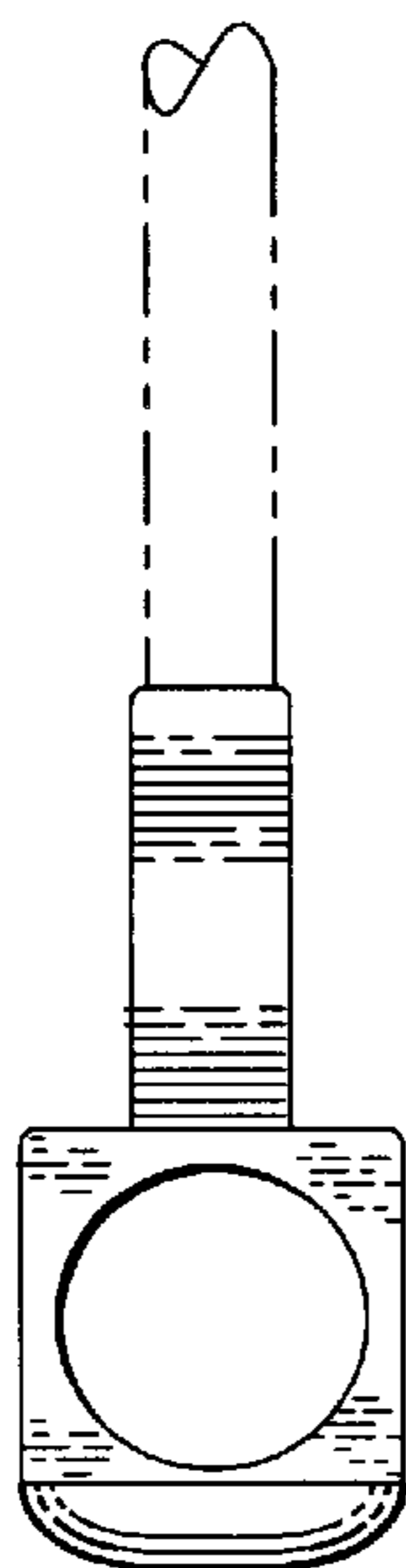


FIG. 4

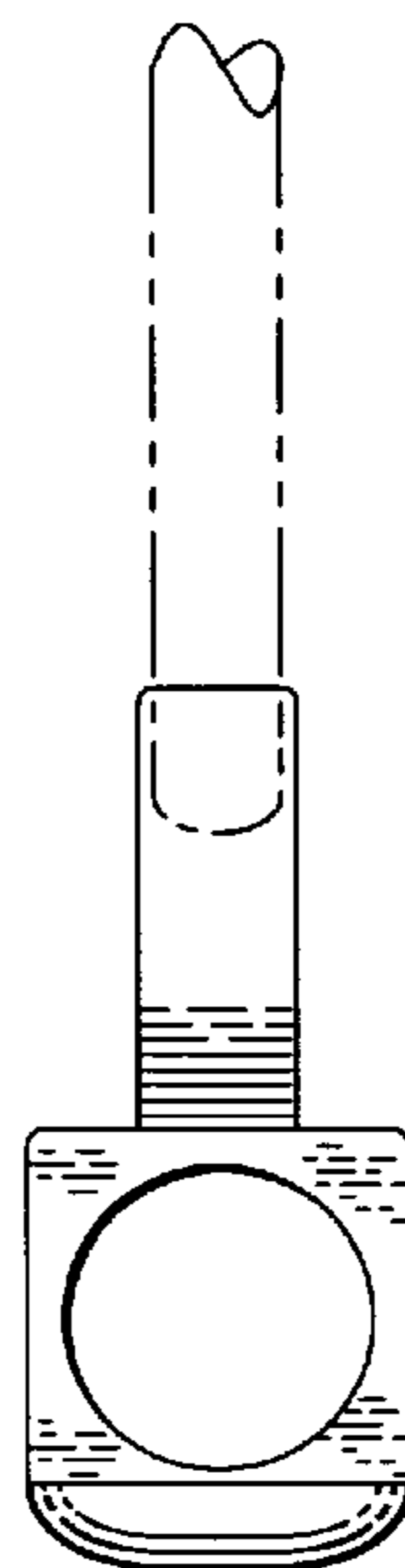


FIG. 5

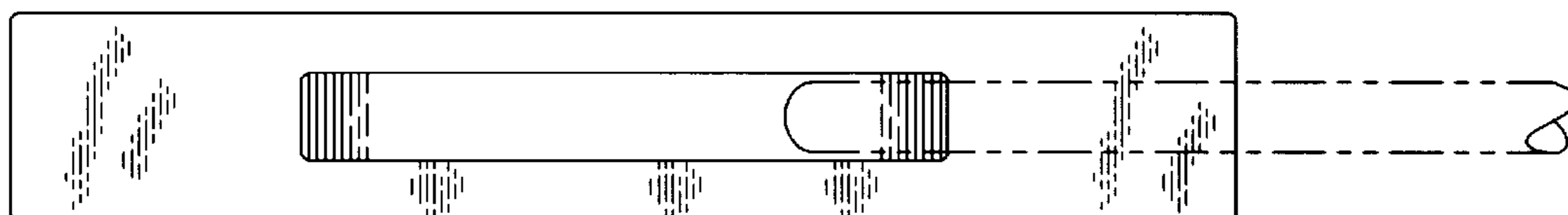


FIG. 6

