



US00D405133S

# United States Patent [19] Morgan

[11] **Patent Number: Des. 405,133**

[45] **Date of Patent: \*\*Feb. 2, 1999**

[54] **POOL EXERCISE DEVICE**

[75] Inventor: **Todd Morgan**, Los Angeles, Calif.

[73] Assignee: **Aquatic Trends, Inc.**, North Palm Beach, Fla.

[\*\*] Term: **14 Years**

[21] Appl. No.: **82,499**

[22] Filed: **Jan. 23, 1998**

[51] **LOC (6) Cl. .... 21-02**

[52] **U.S. Cl. .... D21/678; D21/662; D21/692**

[58] **Field of Search .... D21/662, 678, D21/692; 482/121, 91, 126, 127**

4,607,840 8/1986 Harper ..... 482/109  
 5,046,726 9/1991 Van Straaten ..... 482/125  
 5,372,558 12/1994 Perry et al. .... 482/49  
 5,637,066 6/1997 Chang ..... 482/126

*Primary Examiner*—Philip S. Hyder  
*Attorney, Agent, or Firm*—McHale & Slavin, P.A.

### [57] CLAIM

The ornamental design for a pool exercise device, as shown and described.

### DESCRIPTION

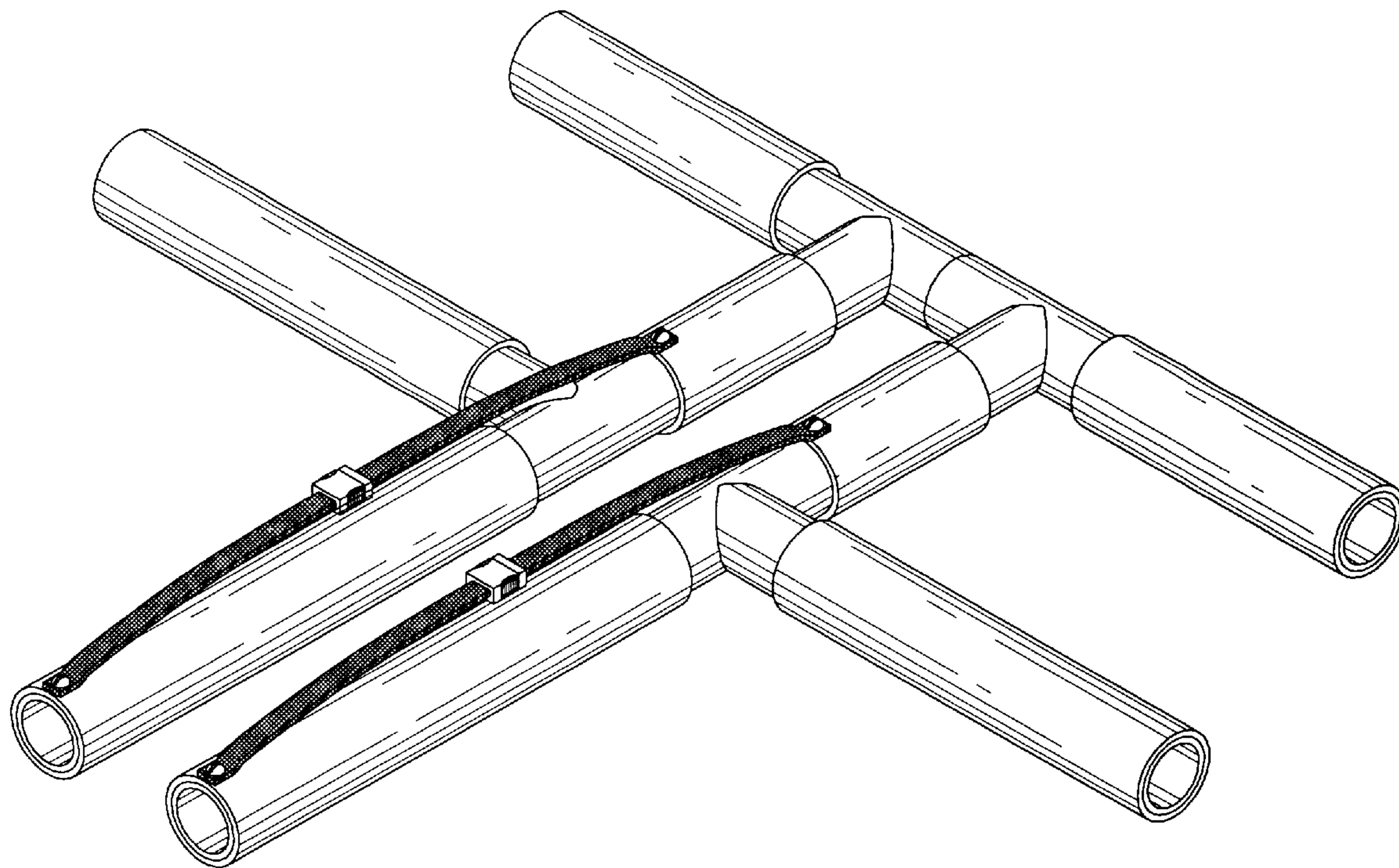
FIG. 1 is a perspective view of a pool exercise device showing my new design;  
 FIG. 2 is an overhead plan view thereof;  
 FIG. 3 is a side elevation view thereof;  
 FIG. 4 is a first end view thereof; and,  
 FIG. 5 is a second end view thereof.

[56] **References Cited**

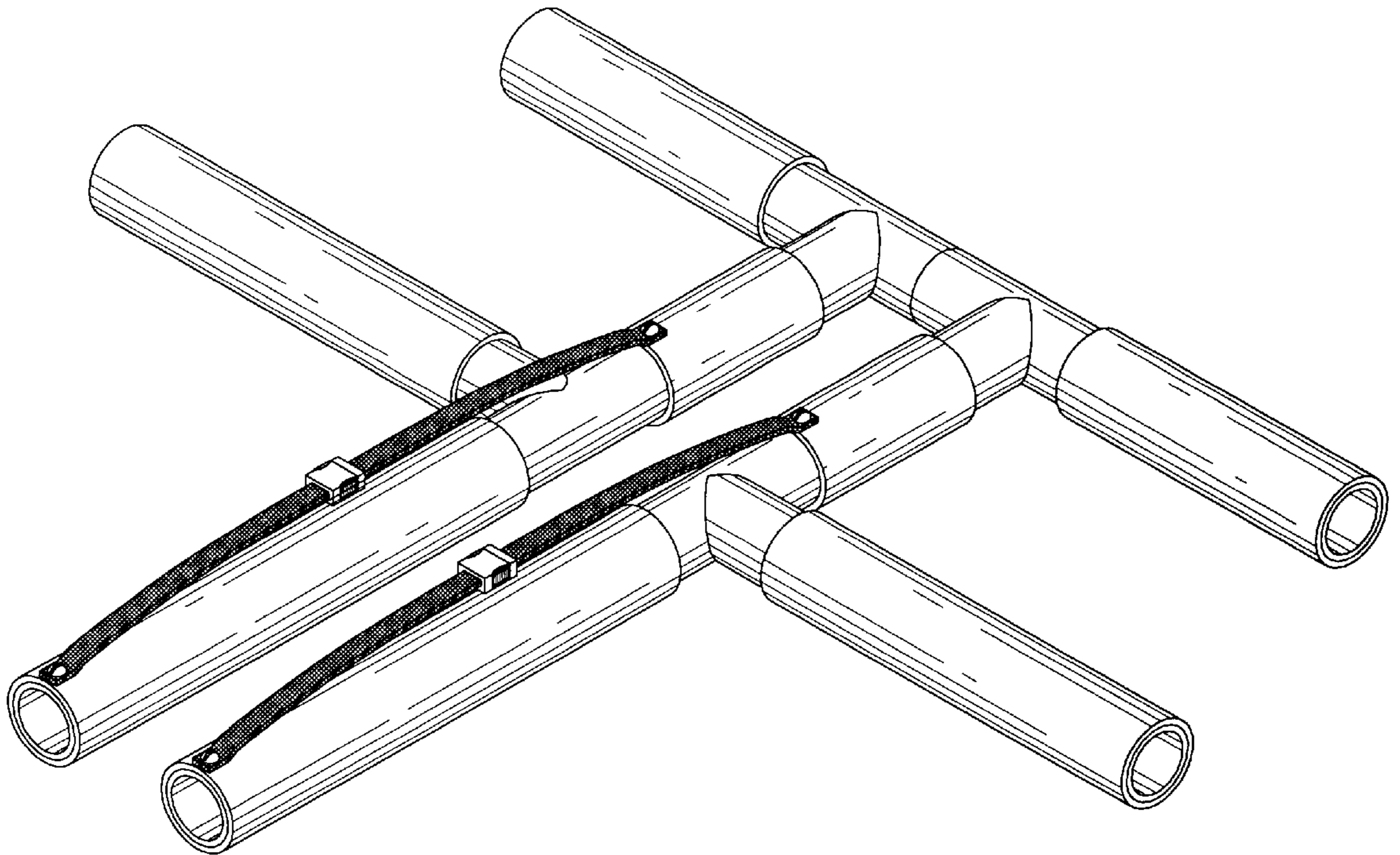
U.S. PATENT DOCUMENTS

4,591,150 5/1986 Mosher ..... 482/125

**1 Claim, 2 Drawing Sheets**

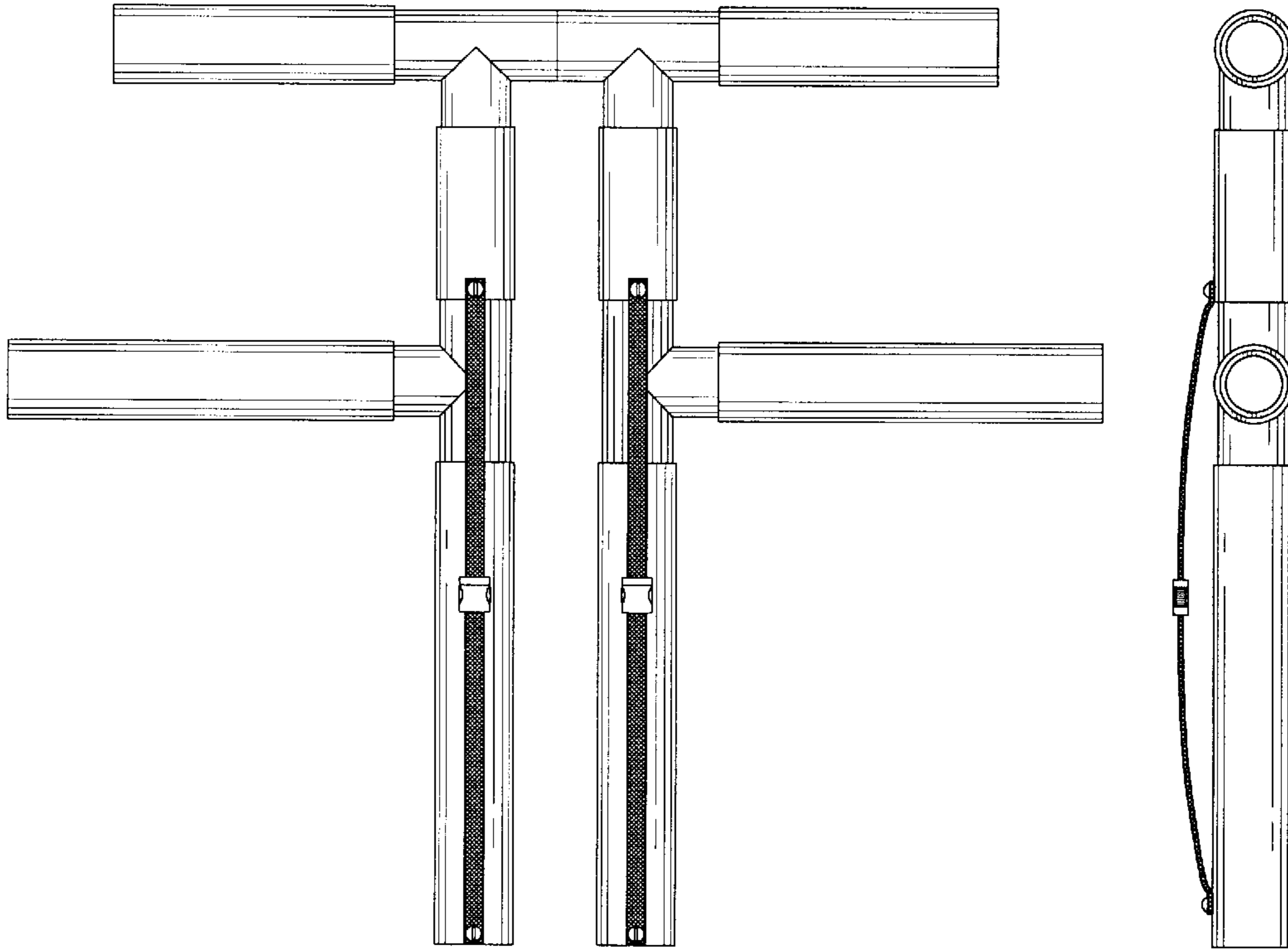


*FIG. 1*

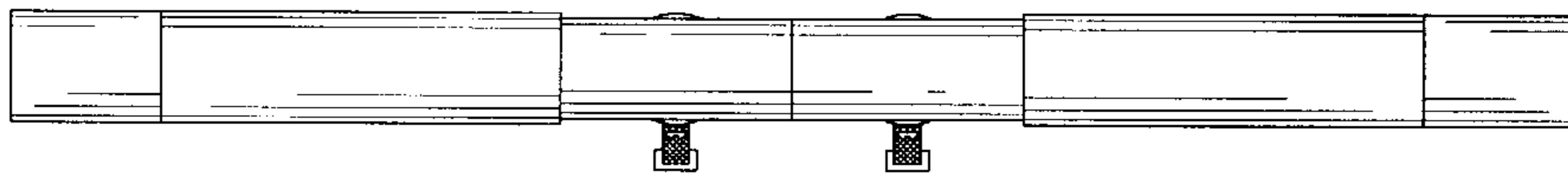


*FIG. 2*

*FIG. 3*



*FIG. 4*



*FIG. 5*

