

US00D405124S

United States Patent [19]

Yokoi et al.

[11] **Patent Number:** **Des. 405,124**

[45] **Date of Patent:** ****Feb. 2, 1999**

[54] **GAME MACHINE**

5,184,830 2/1993 Okada et al. D21/13 X
5,192,082 3/1993 Inoue et al. 463/44

[75] Inventors: **Gunpei Yokoi; Masuru Okada; Ichiro Shirai; Kenichi Sugino; Noboru Wakitani**, all of Kyoto, Japan

Primary Examiner—Prabhakar G. Deshmukh
Attorney, Agent, or Firm—Nixon & Vanderhye P.C.

[73] Assignee: **Nintendo of America, Inc.**, Redmond, Wash.

[57] **CLAIM**

The ornamental design for a “game machine,” as shown and described.

[**] Term: **14 Years**

DESCRIPTION

[21] Appl. No.: **39,779**

FIG. 1 is a top right rear perspective of a game machine in accordance with a first embodiment of our new design; FIG. 2 is a top left front perspective of the embodiment shown in FIG. 1; FIG. 3 is a plan view thereof; FIG. 4 is a rear elevation view thereof; FIG. 5 is a front elevation view thereof; FIG. 6 is a bottom plan view thereof; FIG. 7 is a left side elevation thereof; and FIG. 8 is a right side elevation thereof; FIG. 9 is a top plan view of a game machine in accordance with a second embodiment of our new design; FIG. 10 is a rear elevation view thereof; FIG. 11 is a bottom plan view thereof; FIG. 12 is a front elevation view thereof; FIG. 13 is a left side view thereof; FIG. 14 is a right side view thereof; FIG. 15 is a top left front perspective view thereof; and, FIG. 16 is a top right rear perspective view thereof.

[22] Filed: **May 1, 1996**

[30] **Foreign Application Priority Data**

Nov. 11, 1994	[JP]	Japan	6-34523
Nov. 11, 1994	[JP]	Japan	6-34526
Nov. 11, 1994	[JP]	Japan	6-34527
Apr. 25, 1995	[JP]	Japan	7-11890

[51] **LOC (6) Cl.** **21-01**

[52] **U.S. Cl.** **D21/329**

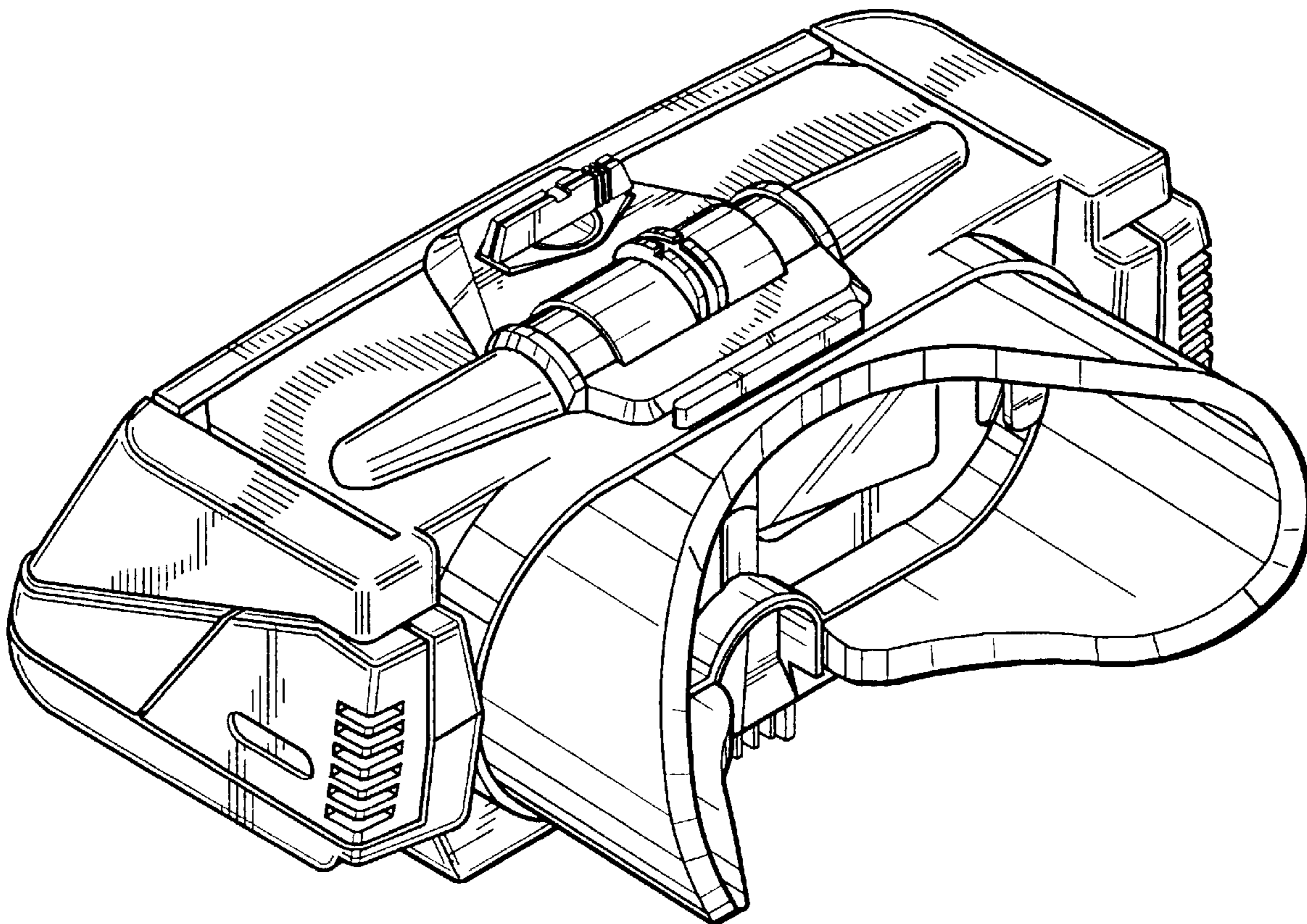
[58] **Field of Search** D21/1, 13, 48;
273/148 B; 463/1, 29–35, 46, 47, 40–43

[56] **References Cited**

U.S. PATENT DOCUMENTS

D. 352,329	11/1994	Takiya	D2113/13
D. 362,870	10/1995	Oikawa	D21/13
D. 366,285	1/1996	Tada	D21/48
D. 383,800	9/1997	Ishizaki et al.	D21/13 X

1 Claim, 8 Drawing Sheets



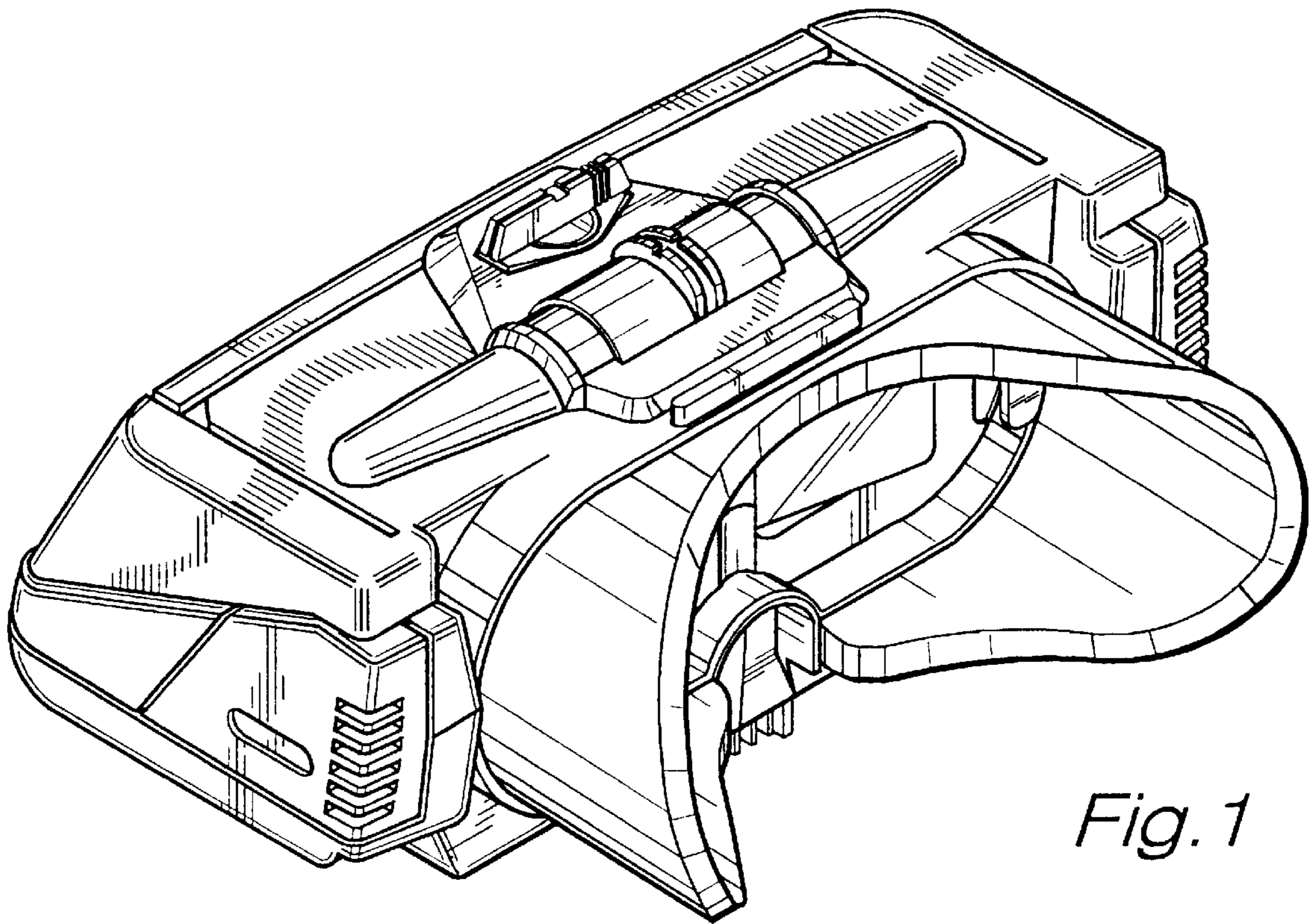


Fig. 1

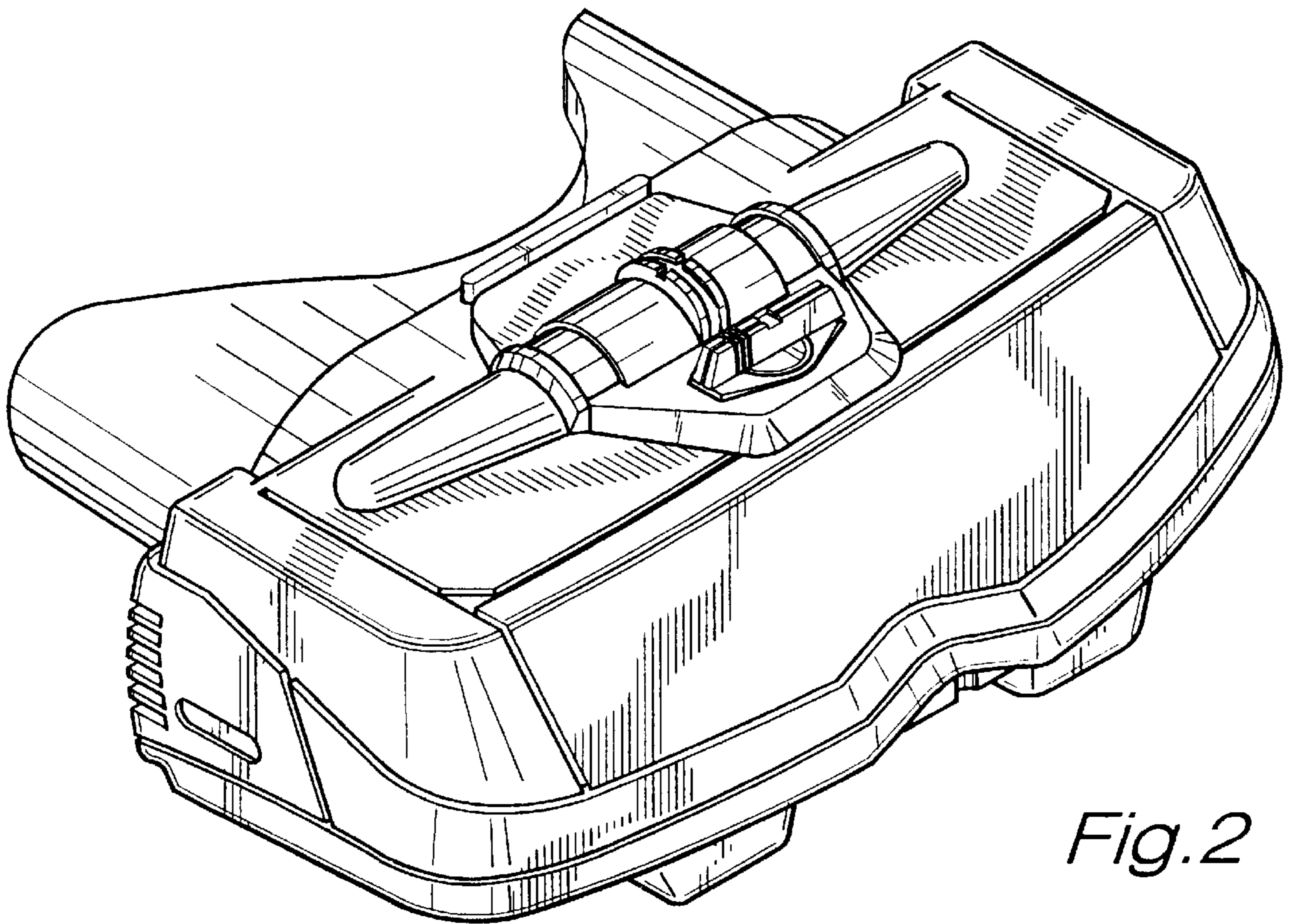


Fig. 2

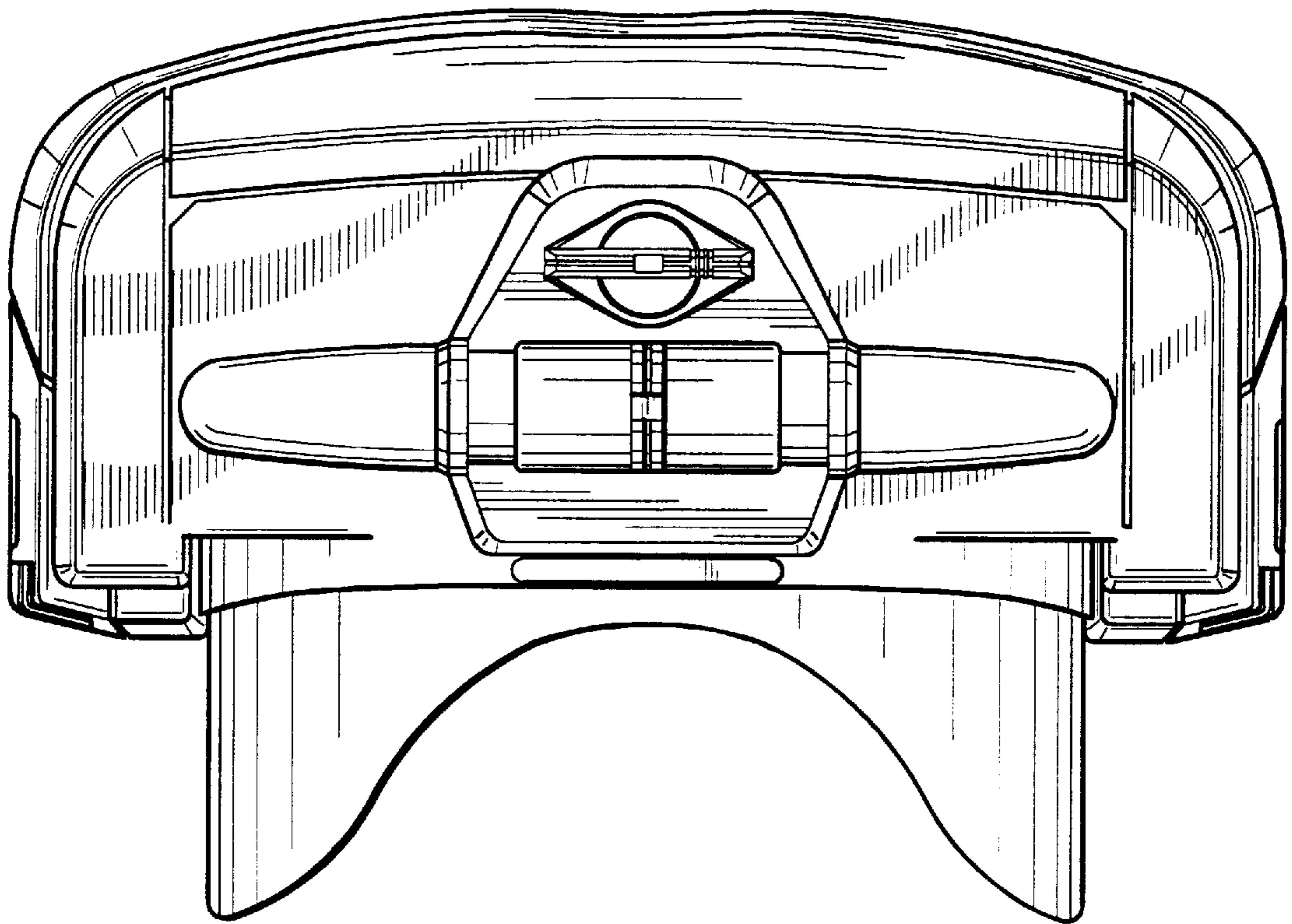


Fig. 3

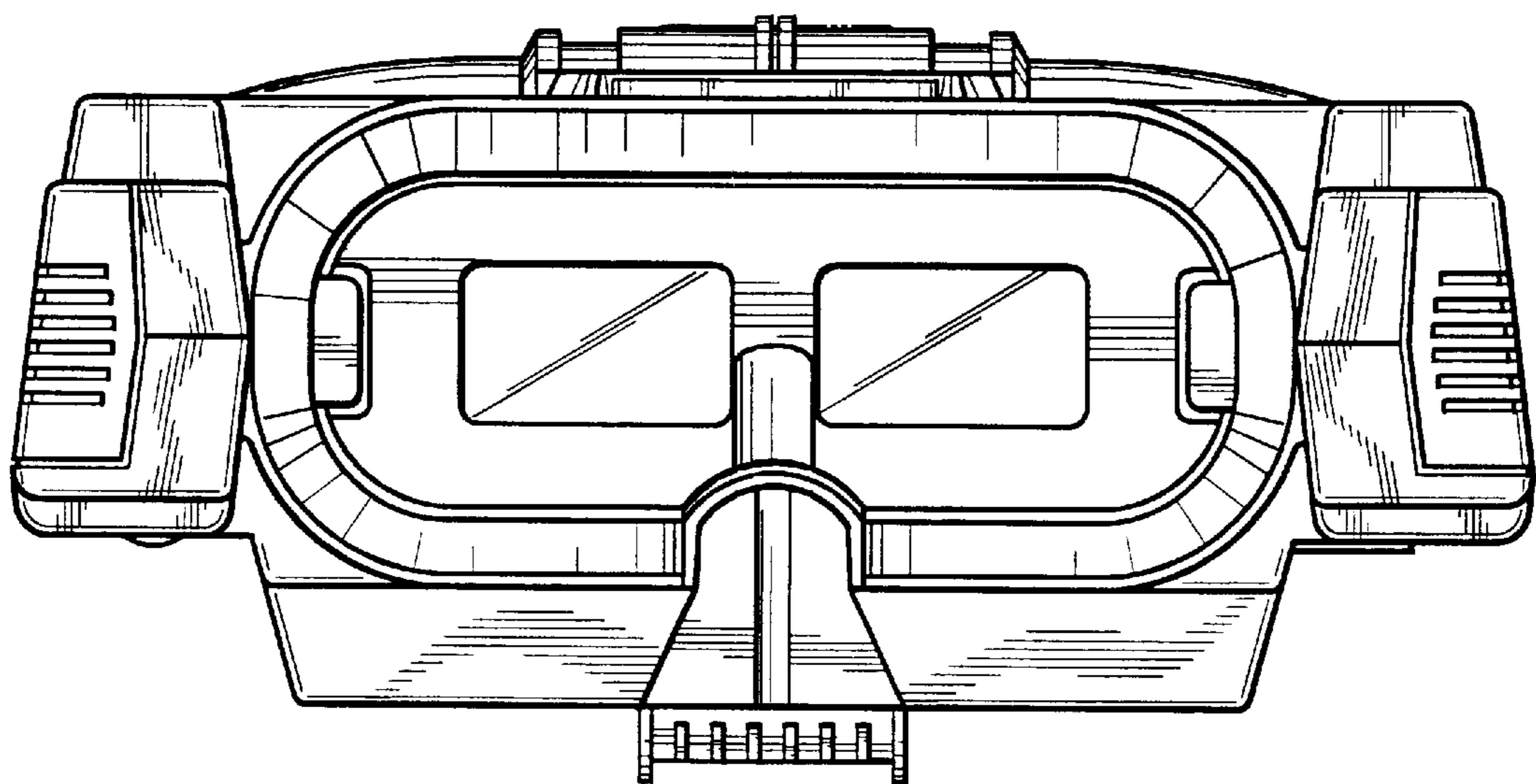


Fig 4

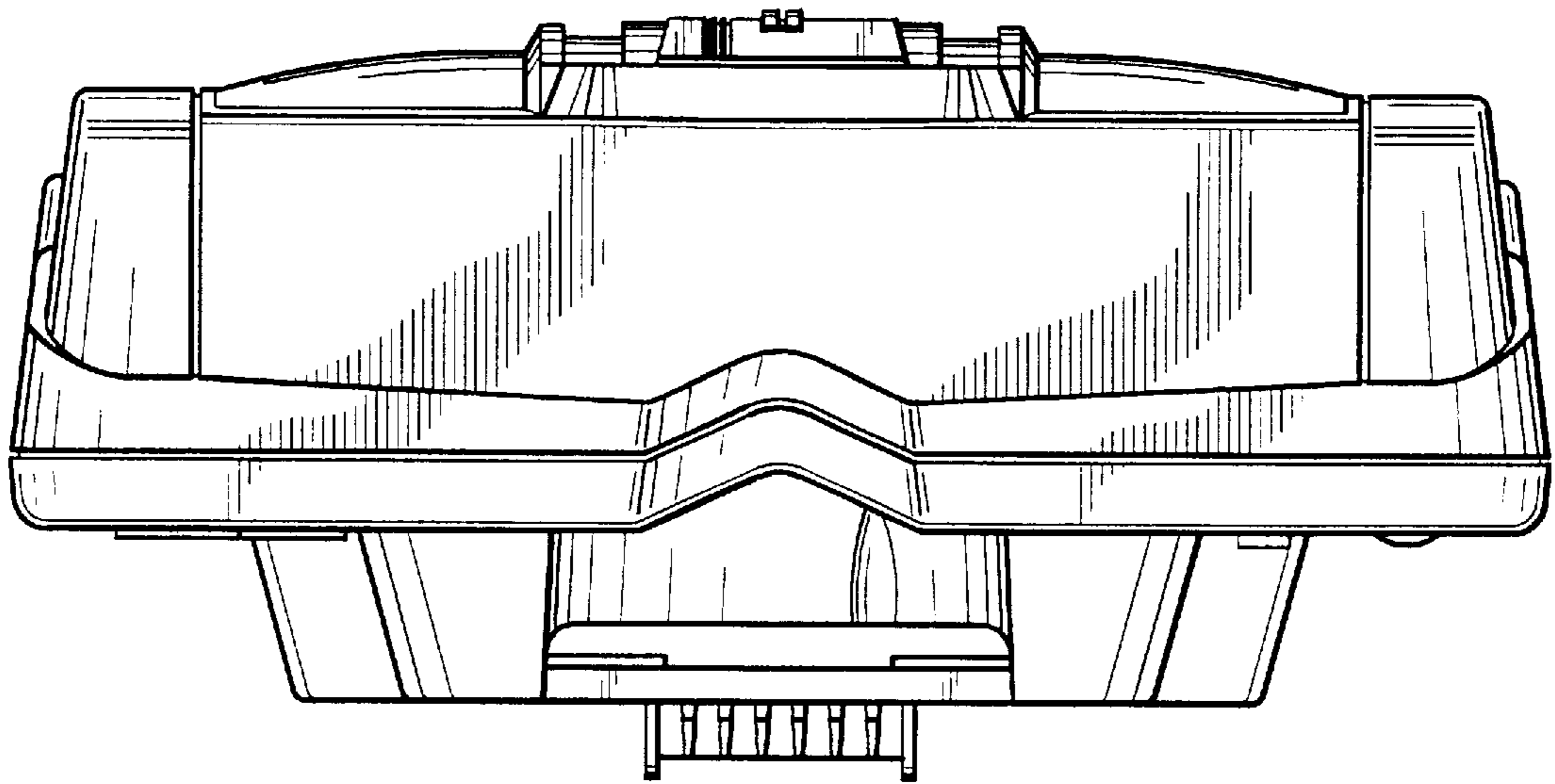


Fig. 5

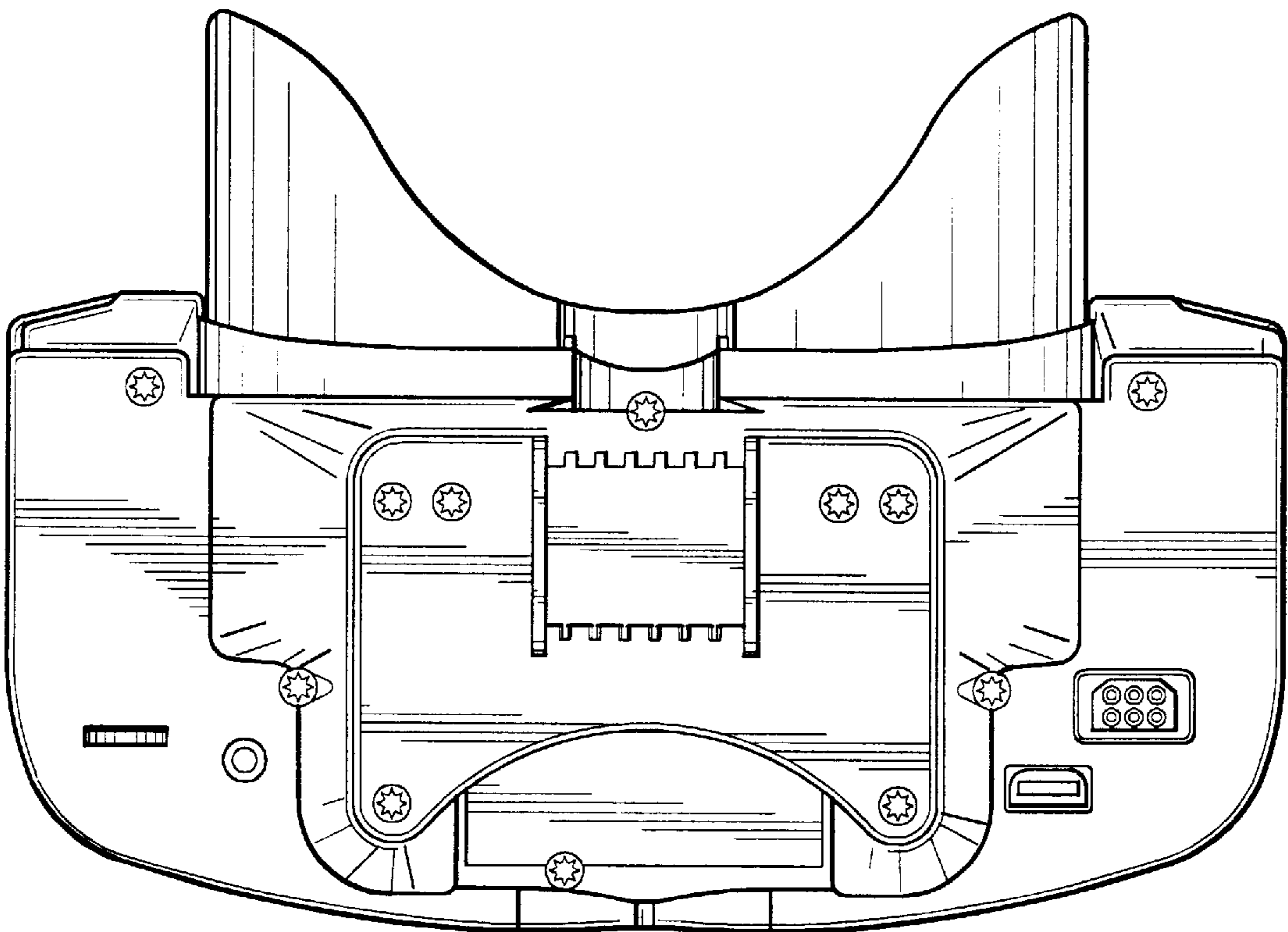


Fig. 6

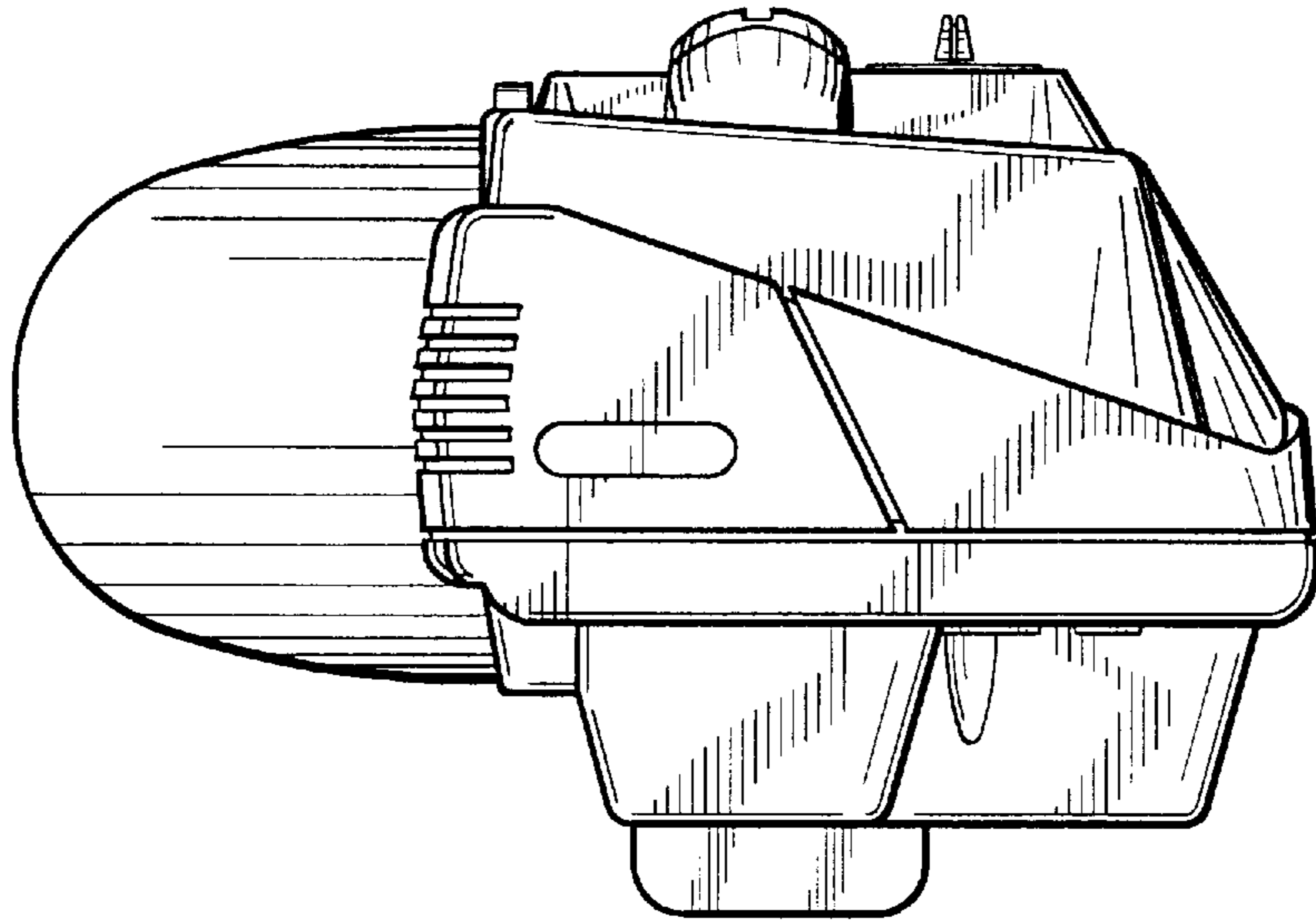


Fig. 7

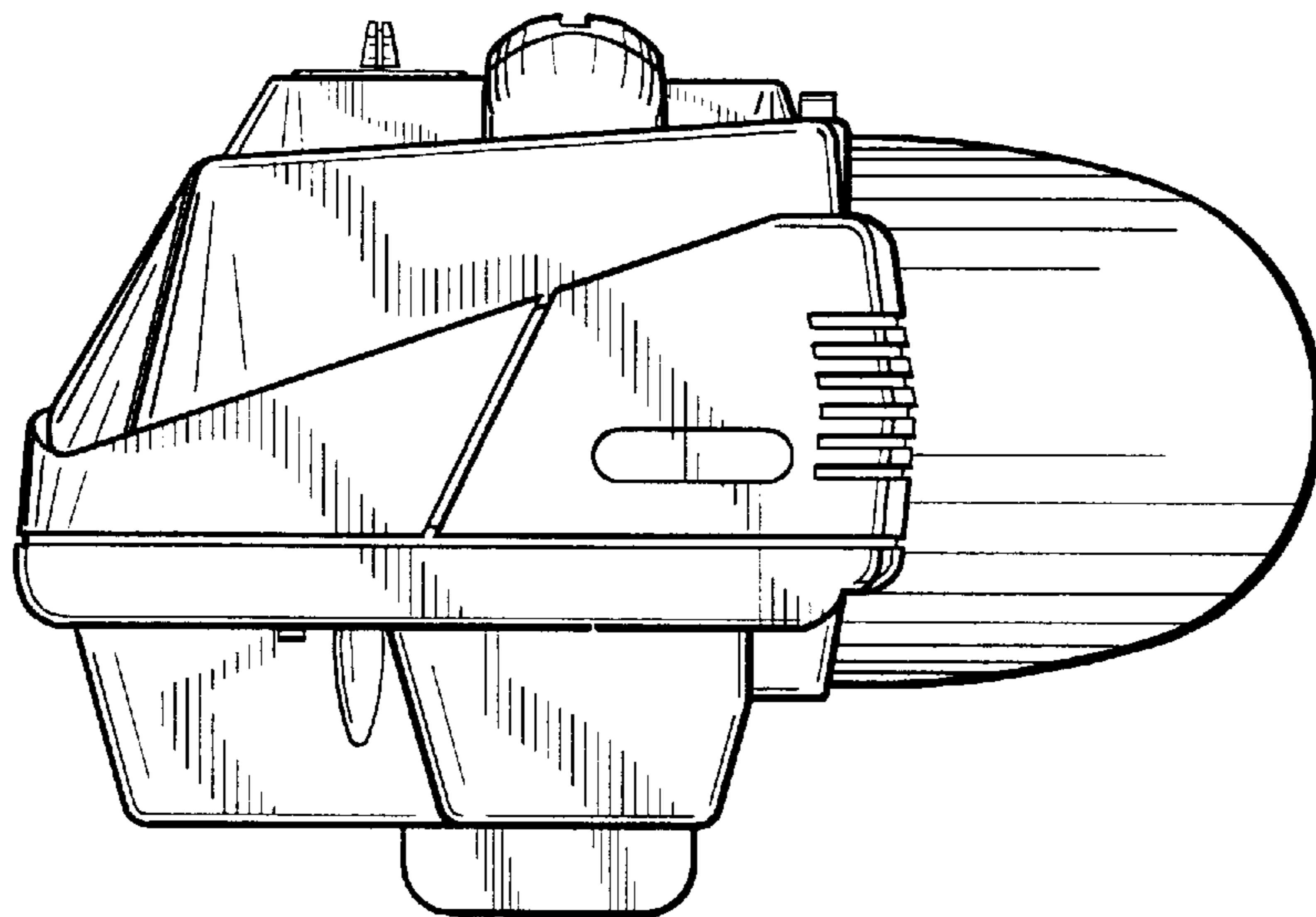


Fig. 8

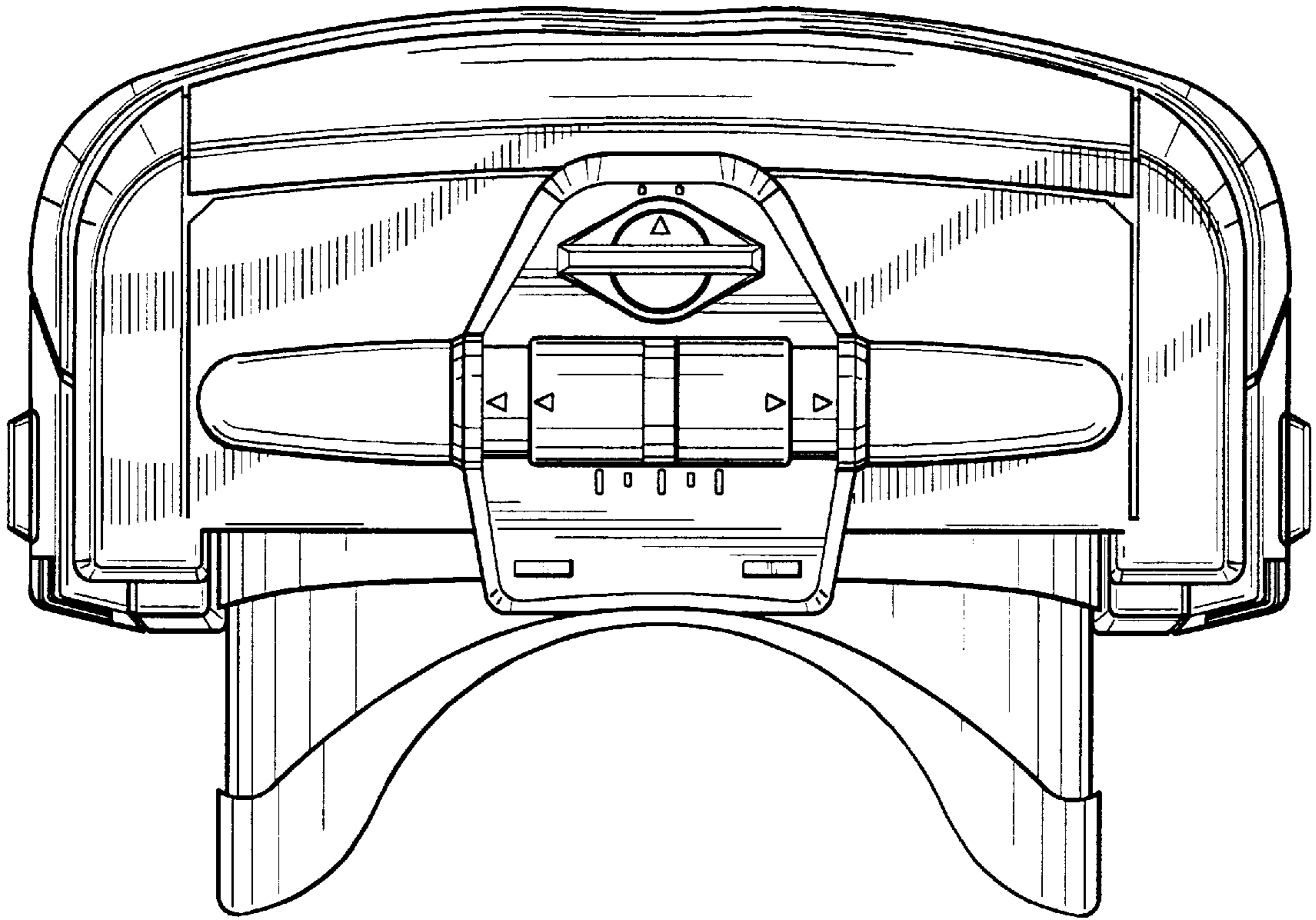


Fig. 9

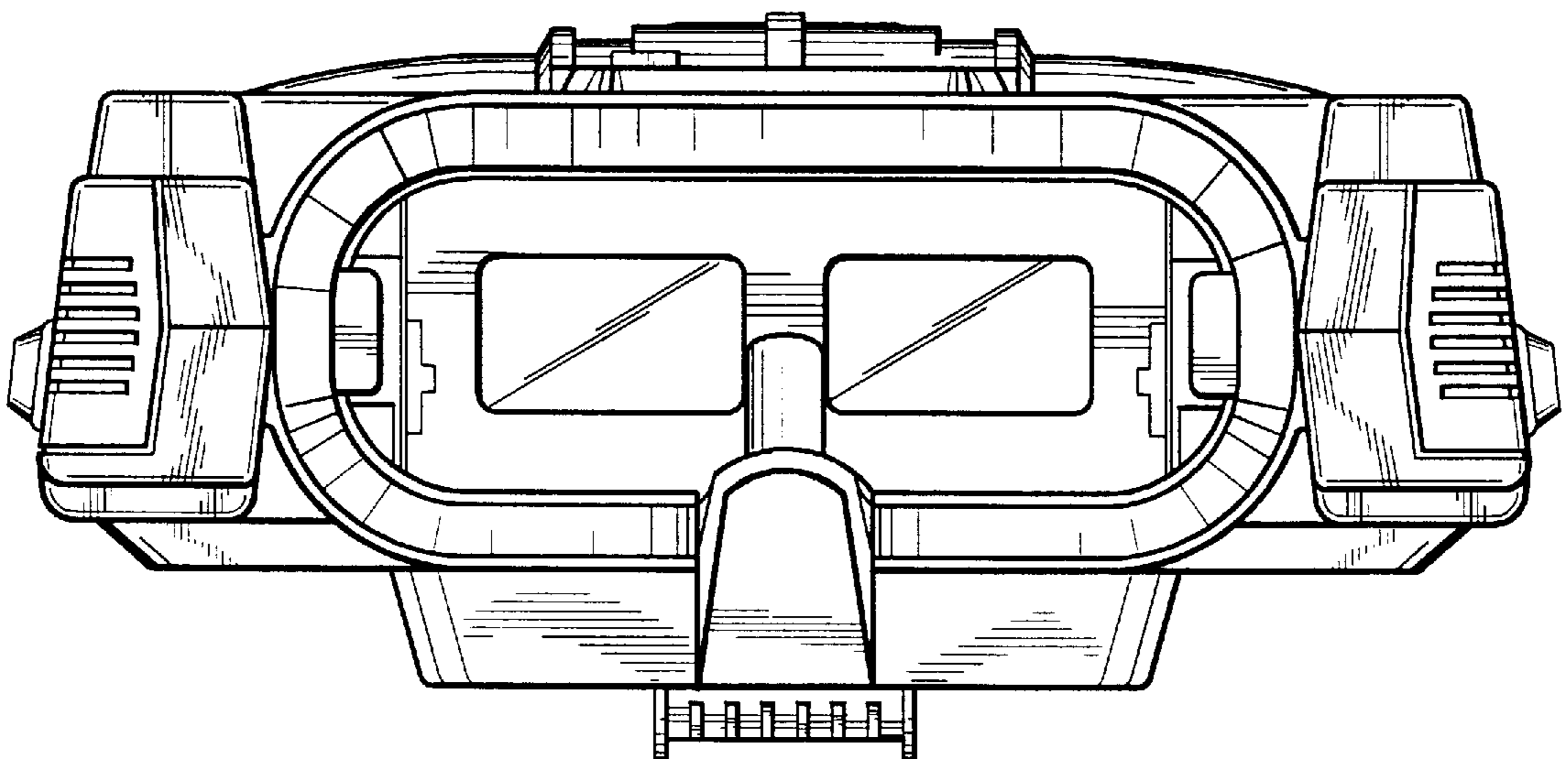


Fig. 10

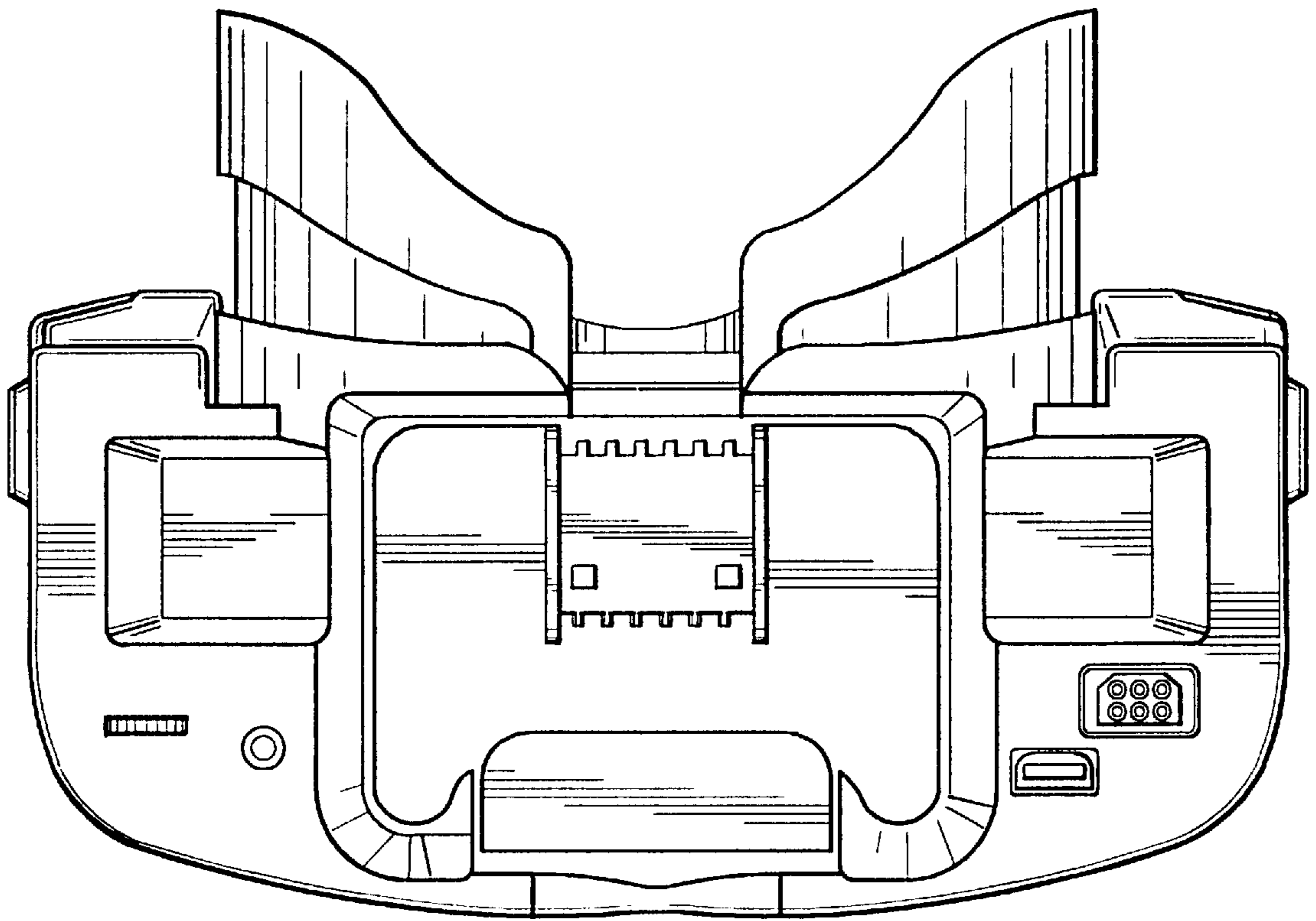


Fig. 11

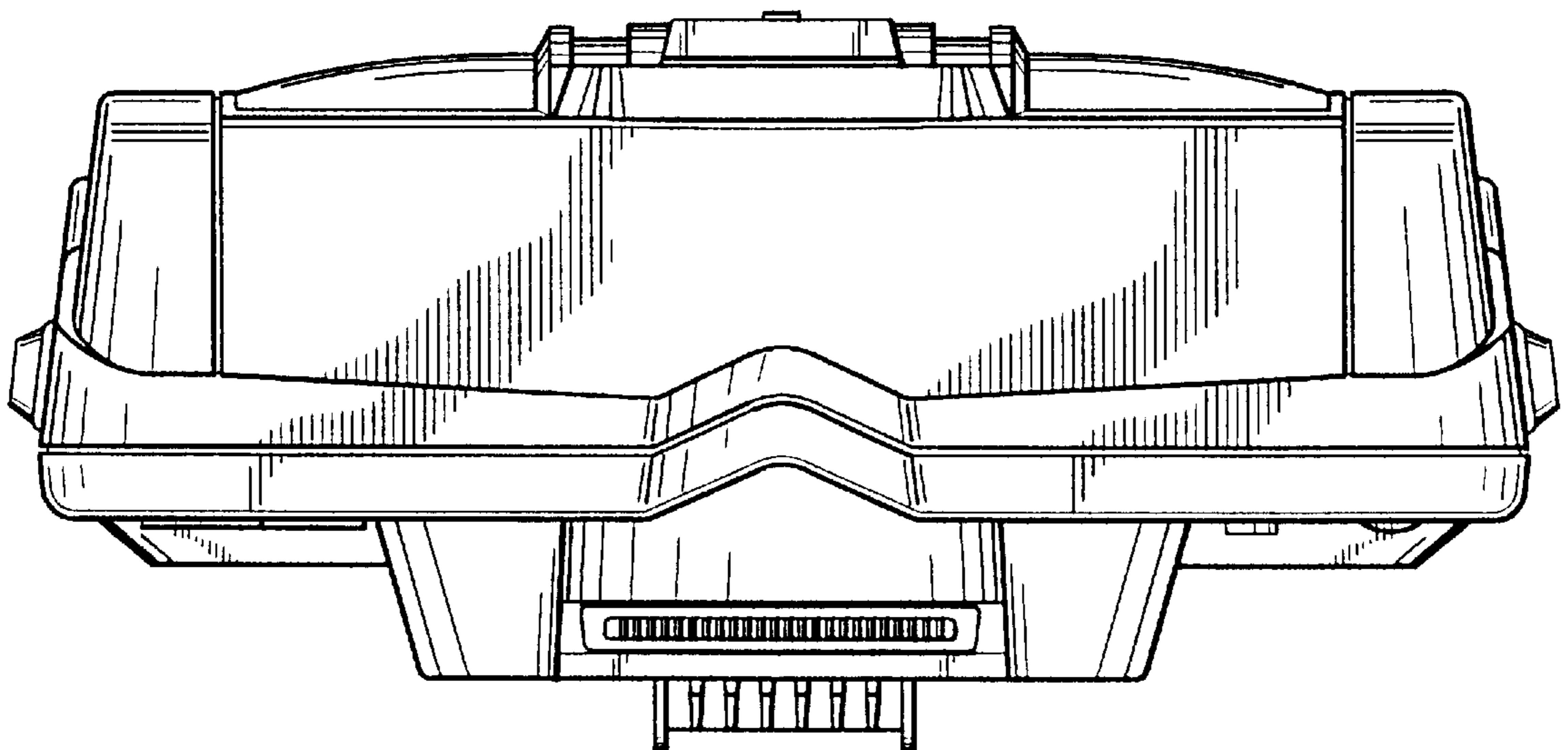


Fig. 12

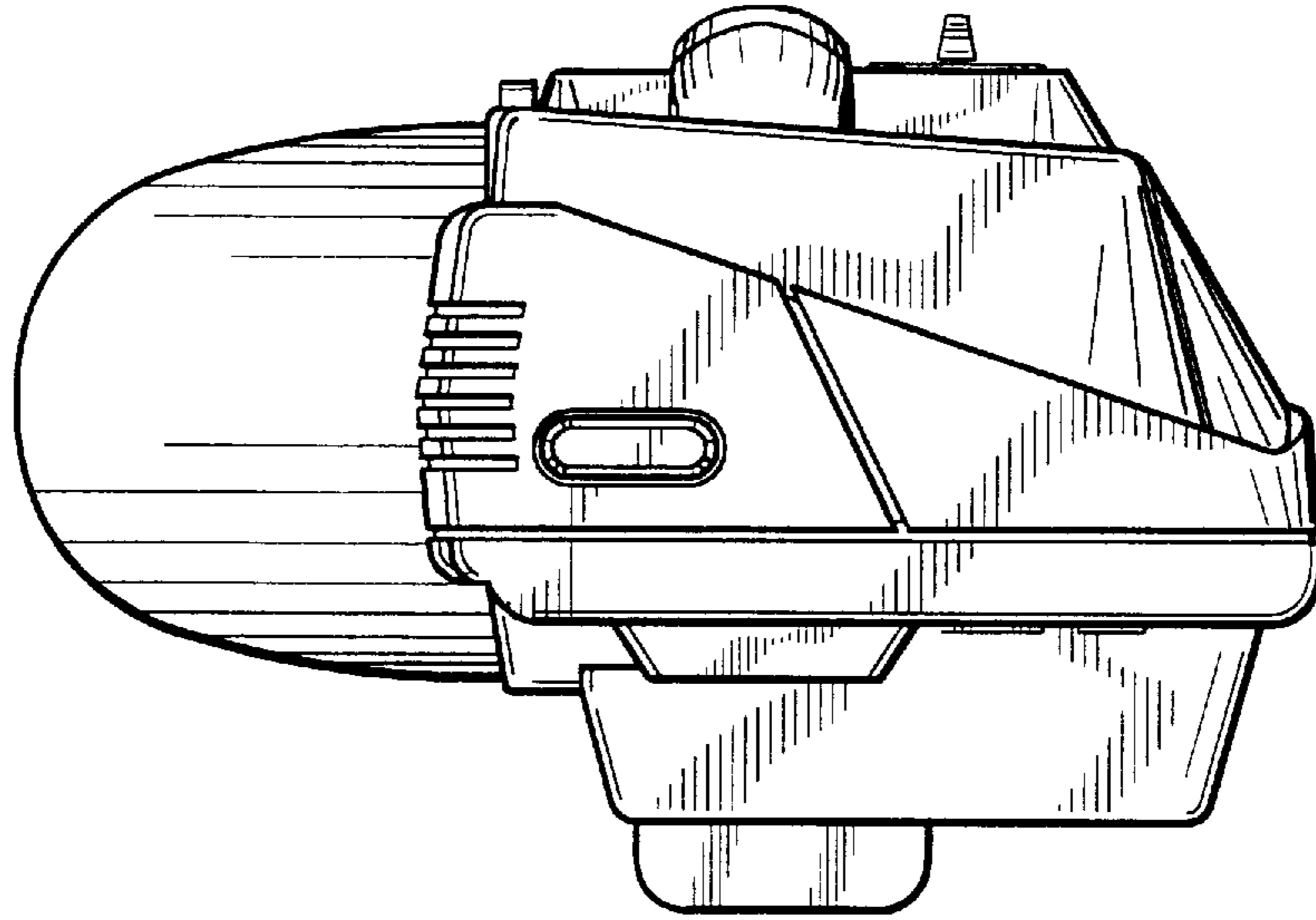


Fig. 13

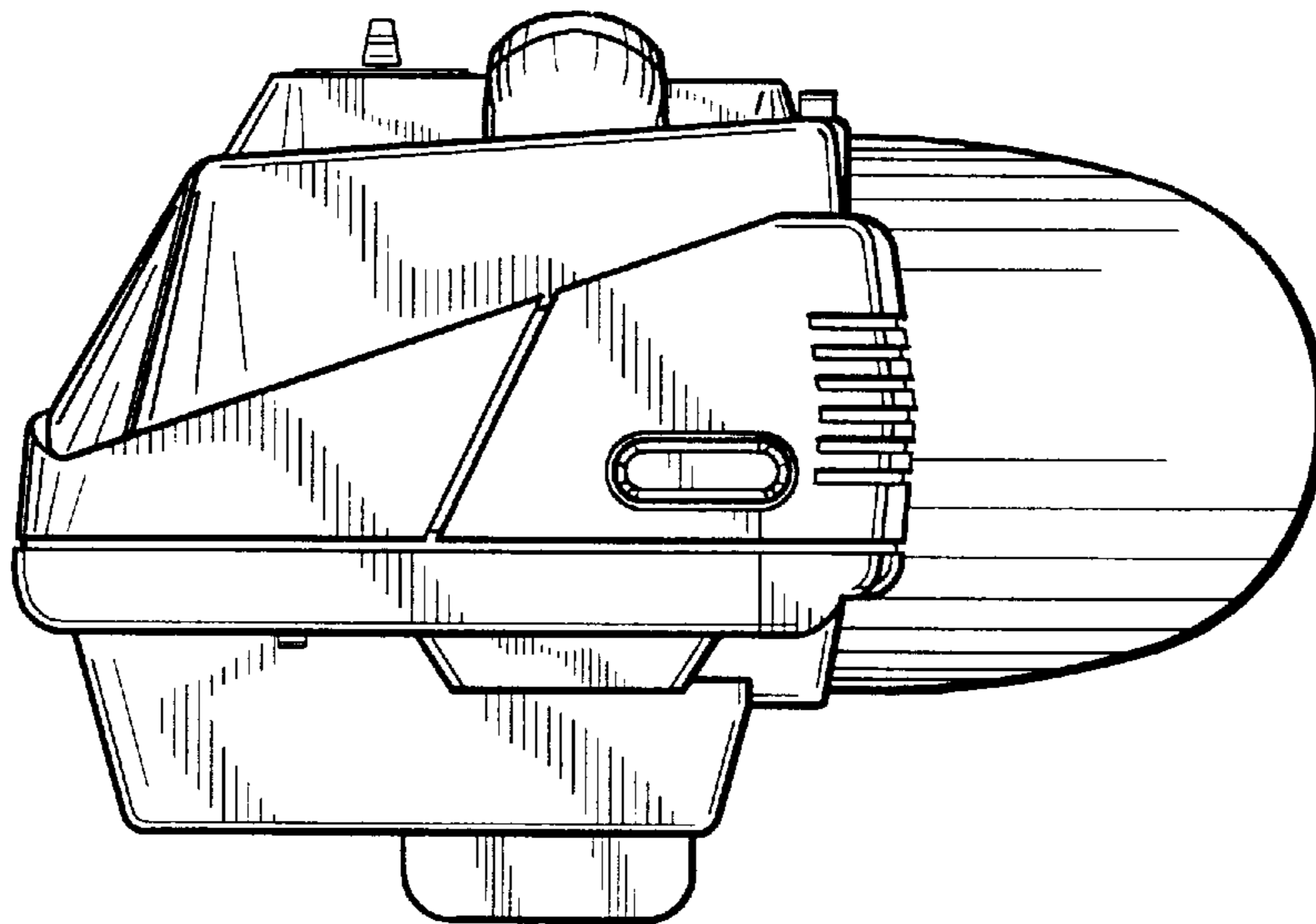


Fig. 14

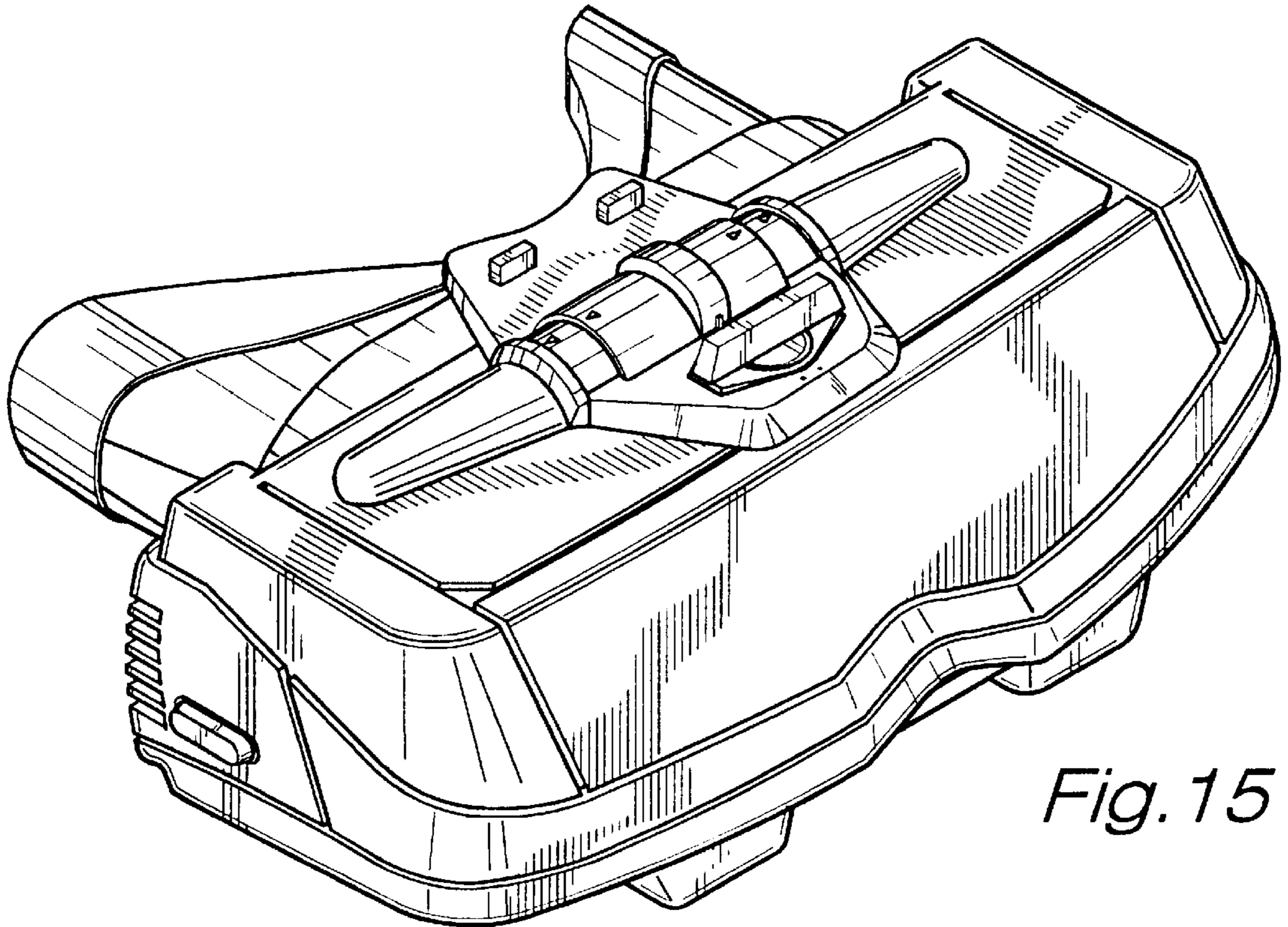


Fig. 15

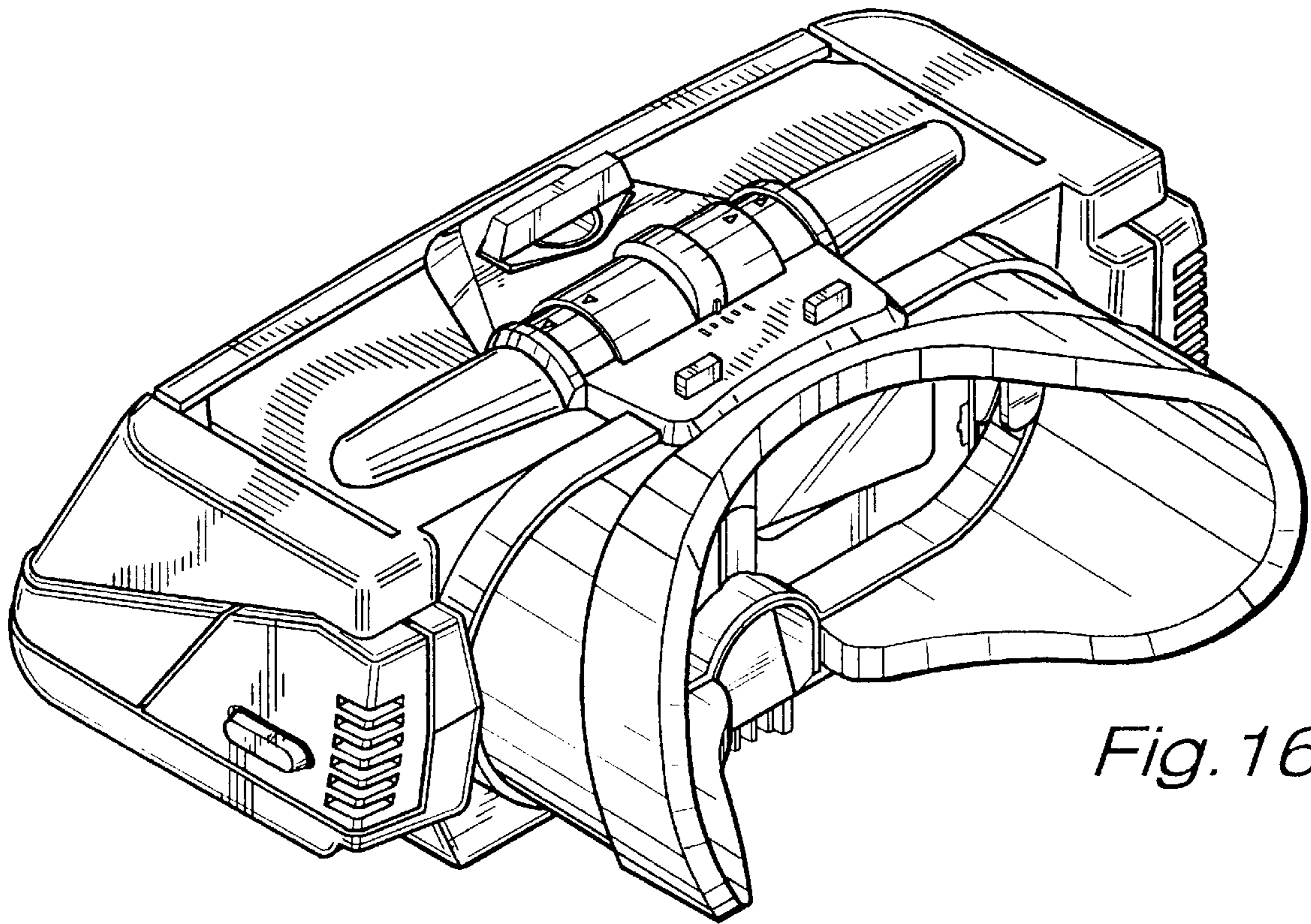


Fig. 16