



US00D405122S

# United States Patent [19] Fung

[11] **Patent Number: Des. 405,122**

[45] **Date of Patent: \*\*Feb. 2, 1999**

[54] **ROLLER SKATE**

[75] **Inventor: Kenny Yiu Wing Fung, Tsuen Wan, Hong Kong**

[73] **Assignee: Grace Artificial Jewellery Manufacturing Co., Ltd., New Territories, Hong Kong**

[\*\*] **Term: 14 Years**

[21] **Appl. No.: 30,613**

[22] **Filed: Nov. 3, 1994**

[51] **LOC (6) Cl. .... 21-02**

[52] **U.S. Cl. .... D21/226**

[58] **Field of Search ..... D21/224-227; 280/11.2, 11.12, 11.19, 11.26, 11.27, 11.22, 809, 825, 841**

[56] **References Cited**

**U.S. PATENT DOCUMENTS**

D. 282,095	1/1986	Robjent et al. ....	D21/226
D. 288,109	2/1987	Klamer .....	D21/226
D. 288,225	2/1987	Klamer .....	D21/226
D. 315,940	4/1991	Wehmeyer .....	D21/226
D. 347,237	5/1994	Robjent et al. ....	D21/226
D. 353,429	12/1994	Gay et al. ....	D21/226
4,304,417	12/1981	Hsieh .....	280/11.19
5,224,718	7/1993	Gertler .....	280/11.22

**FOREIGN PATENT DOCUMENTS**

2035220 6/1994 United Kingdom .

**OTHER PUBLICATIONS**

Fisher Price Catalog May, 1992 p. 31 Skate 2316 center of page.

*Primary Examiner*—Dominic Simone  
*Assistant Examiner*—R. Barkai  
*Attorney, Agent, or Firm*—Rosen, Dainow & Jacobs, Limited Liability Partnership

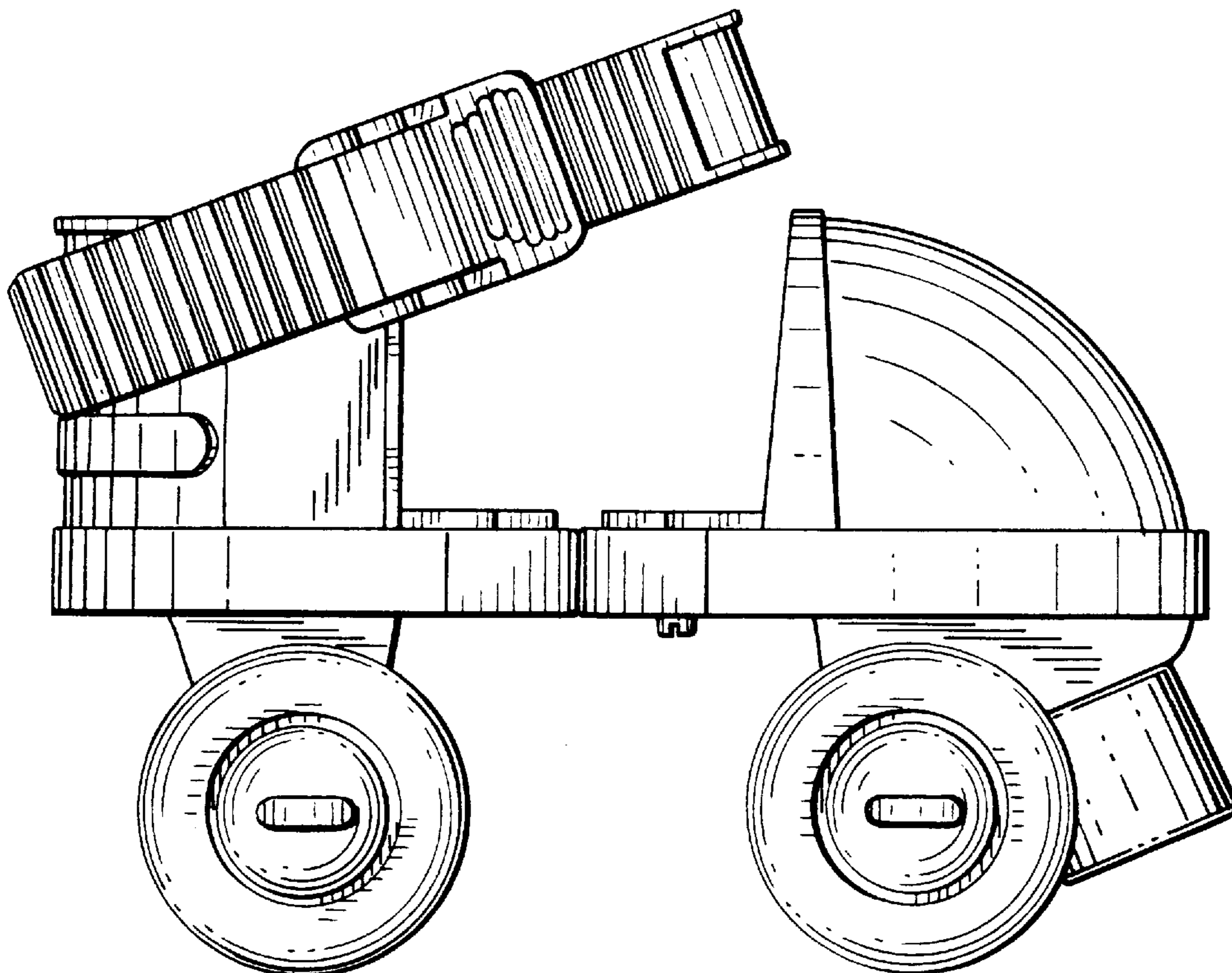
[57] **CLAIM**

The ornamental design for a roller skate, as shown and described.

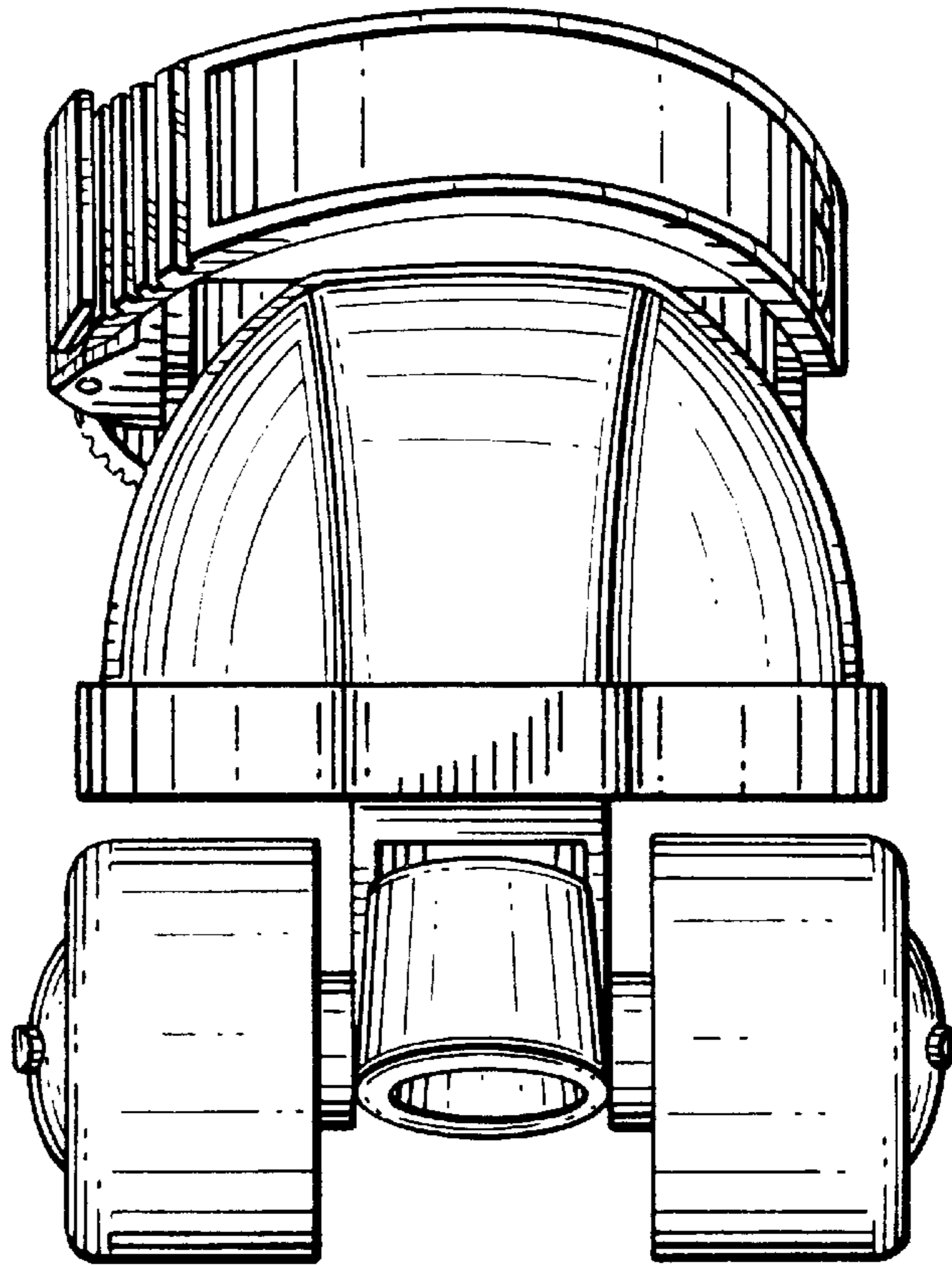
**DESCRIPTION**

FIG. 1 is a front elevation view of a roller skate showing my new design;  
FIG. 2 is a rear elevation view thereof;  
FIG. 3 is a left side elevation view thereof;  
FIG. 4 is a right side elevation view thereof;  
FIG. 5 is a top plan view thereof; and,  
FIG. 6 is a bottom plan view thereof. The shading in these drawings is to clarify surface shapes and does not represent color.

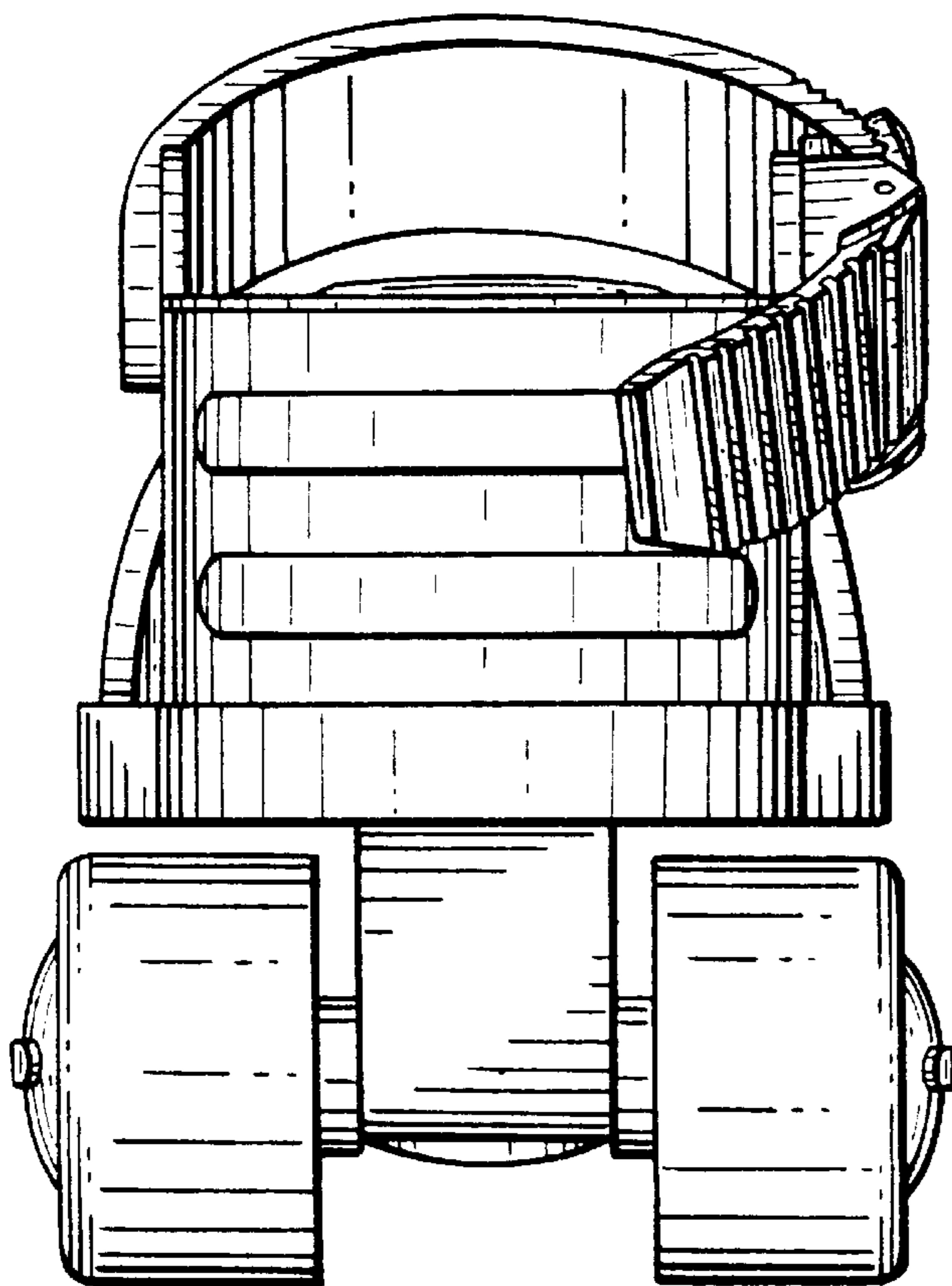
**1 Claim, 3 Drawing Sheets**



*FIG. 1*



*FIG. 2*



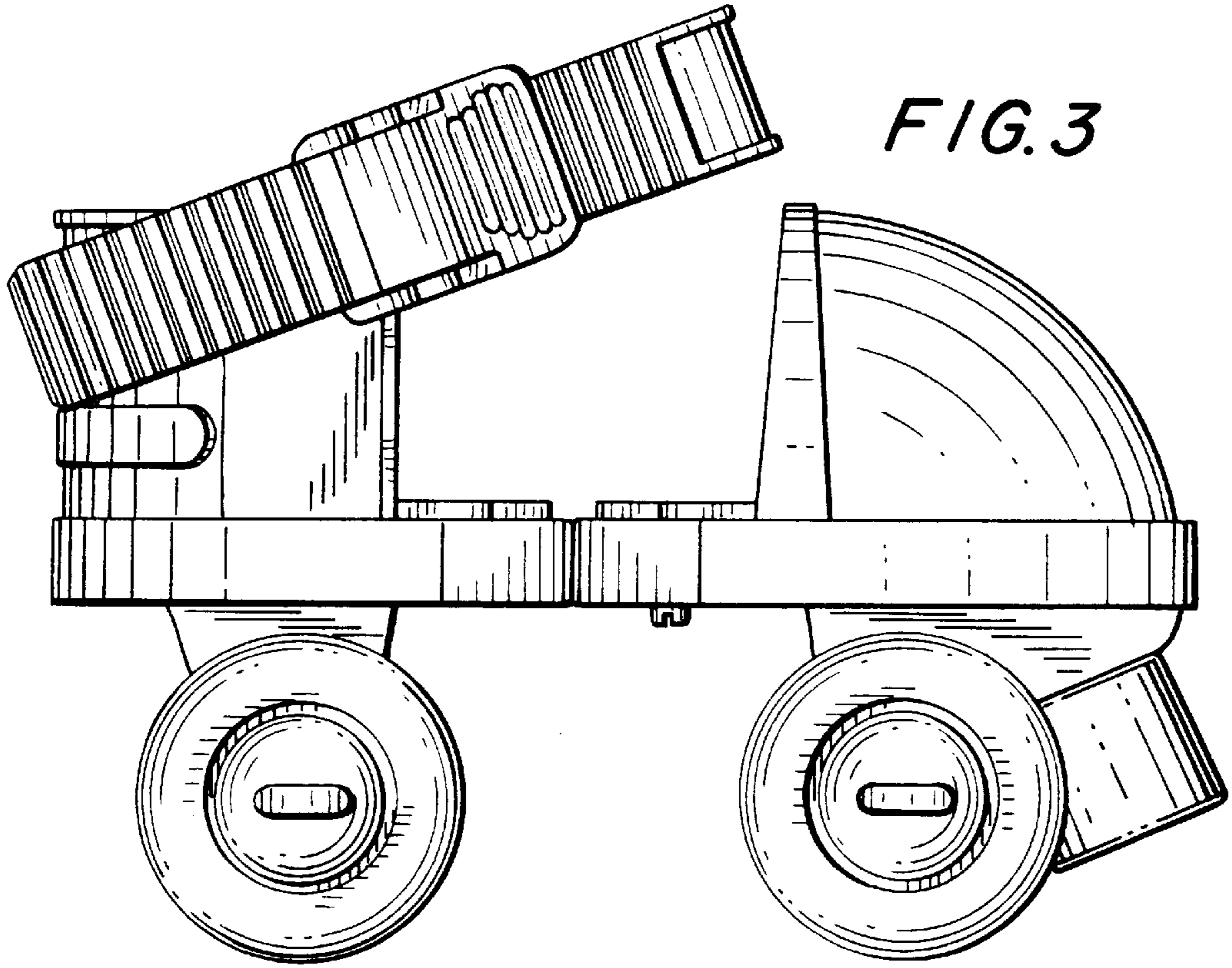


FIG. 5

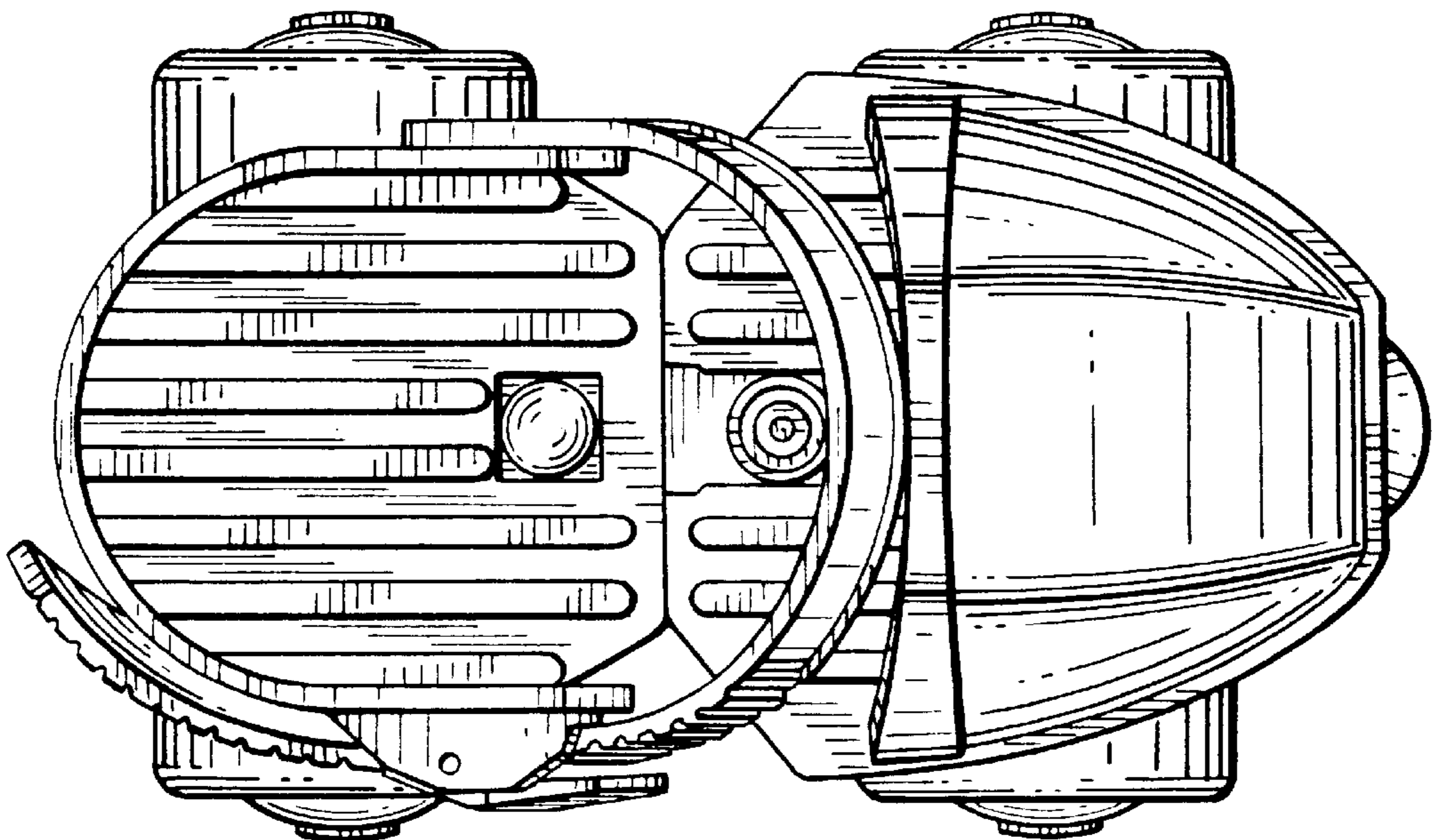


FIG. 4

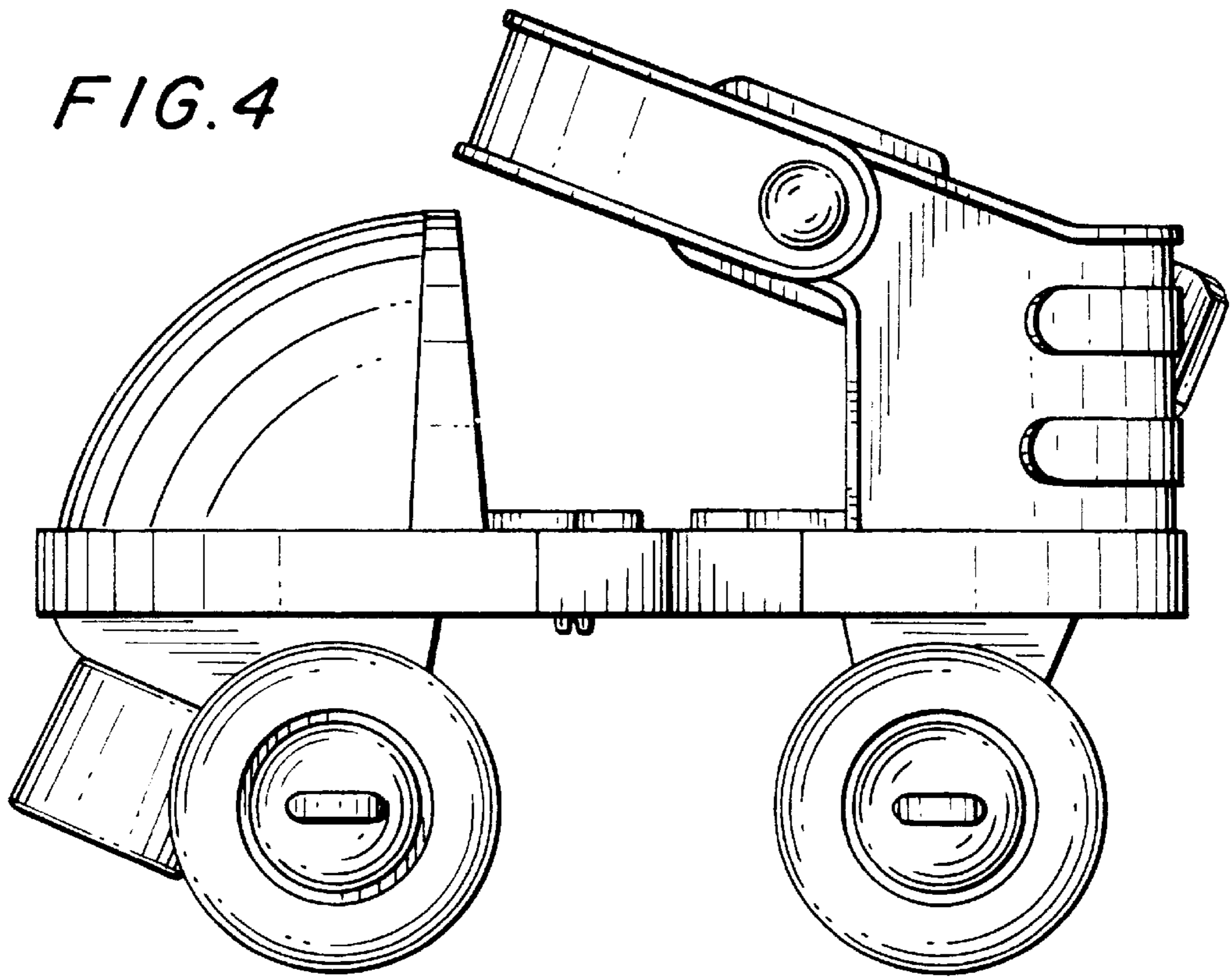


FIG. 6

