



US00D405115S

United States Patent [19] Stravitz

[11] Patent Number: **Des. 405,115**

[45] Date of Patent: ****Feb. 2, 1999**

[54] **RACK WITH STEPPED ARTICLE SUPPORTS**

[75] Inventor: **David M. Stravitz**, New York, N.Y.

[73] Assignee: **SBS Industries, Inc.**, New York, N.Y.

[**] Term: **14 Years**

[21] Appl. No.: **83,456**

[22] Filed: **Feb. 10, 1998**

[51] **LOC (6) Cl.** **19-02**

[52] **U.S. Cl.** **D19/90; D19/75; D19/86; D19/91**

[58] **Field of Search** **D6/553; D28/74, D28/75; D19/65, 75, 86, 90, 91, 95, 99, 100; 211/41.2, 87.01, 41.13, 41.1, 43, 126.13**

[56] **References Cited**

U.S. PATENT DOCUMENTS

| | | | | |
|------------|--------|-------------|-------|-----------|
| D. 193,647 | 9/1962 | Michaud | | D28/74 |
| D. 256,253 | 8/1980 | Suljie | | D19/83 |
| D. 315,746 | 3/1991 | Christensen | | D6/570 X |
| D. 323,591 | 2/1992 | Stravitz | | D19/90 X |
| 601,753 | 4/1898 | Kaiser | | 211/41.2 |
| 632,876 | 9/1899 | Meaker, Jr. | | 211/41.13 |

| | | | | |
|-----------|--------|---------------|-------|-------------|
| 1,660,210 | 2/1928 | Schaefer | | 211/41.2 |
| 2,567,609 | 9/1951 | Lovatt | | 211/41.1 X |
| 4,911,310 | 3/1990 | Raishe et al. | | 211/41.2 |
| 5,035,332 | 7/1991 | Stravitz | | 211/41.11 X |

Primary Examiner—Martie K. Holtje
Attorney, Agent, or Firm—Frishauf, Holtz, Goodman, Langer & Chick

[57] **CLAIM**

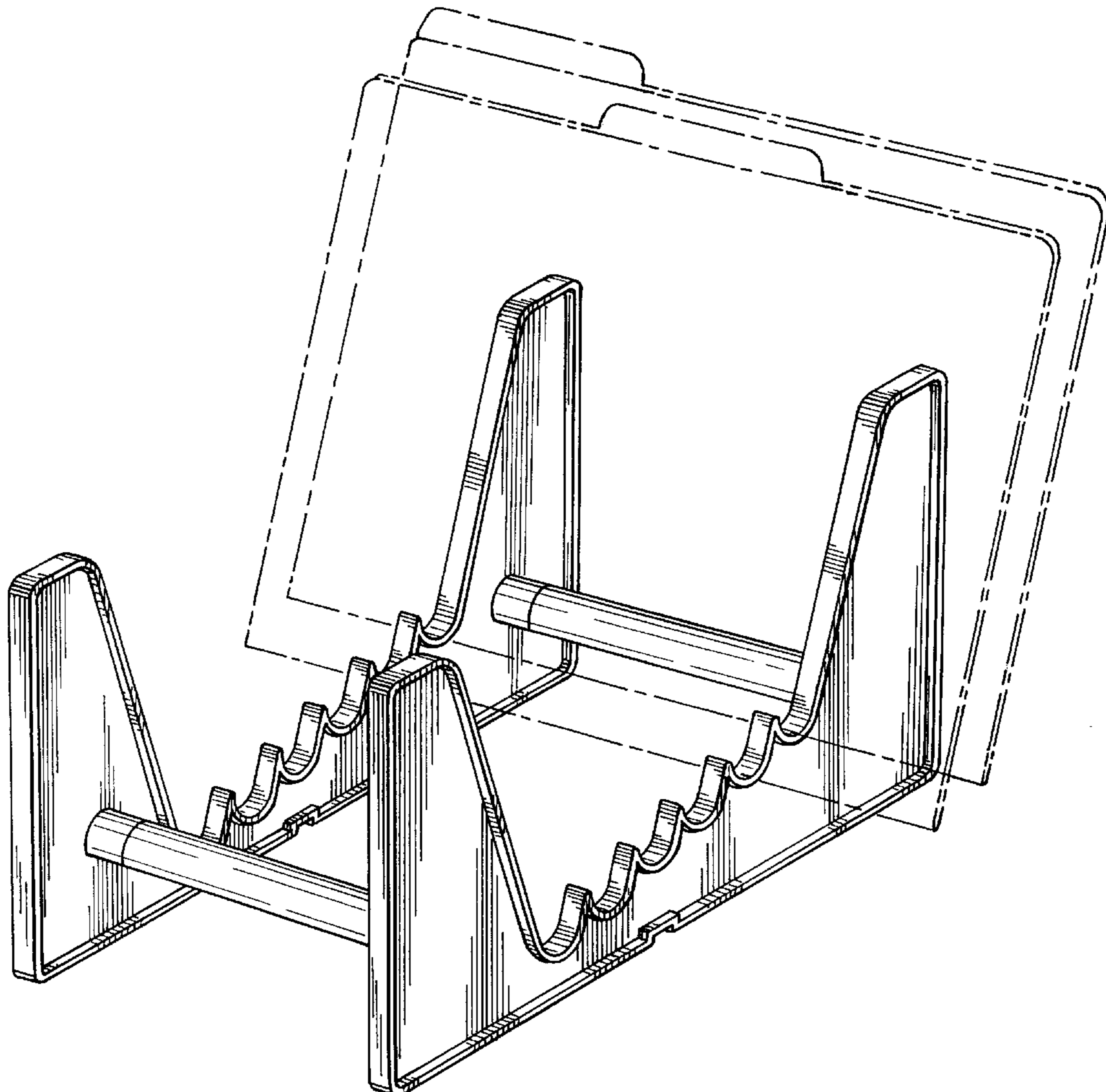
The ornamental design for a rack with stepped article supports, as shown and described.

DESCRIPTION

FIG. 1 is a front, top, right side perspective view of a rack with stepped article supports showing the new design; FIG. 2 is a front elevational view, the rear view being a mirror image; FIG. 3 is right side elevational view, the left side view being a mirror image thereof; FIG. 4 is a top plan view; and, FIG. 5 is a bottom plan view.

The file folders depicted by means of broken lines in FIG. 1 have been shown for illustrative purposes only and form no part of the claimed design.

1 Claim, 2 Drawing Sheets



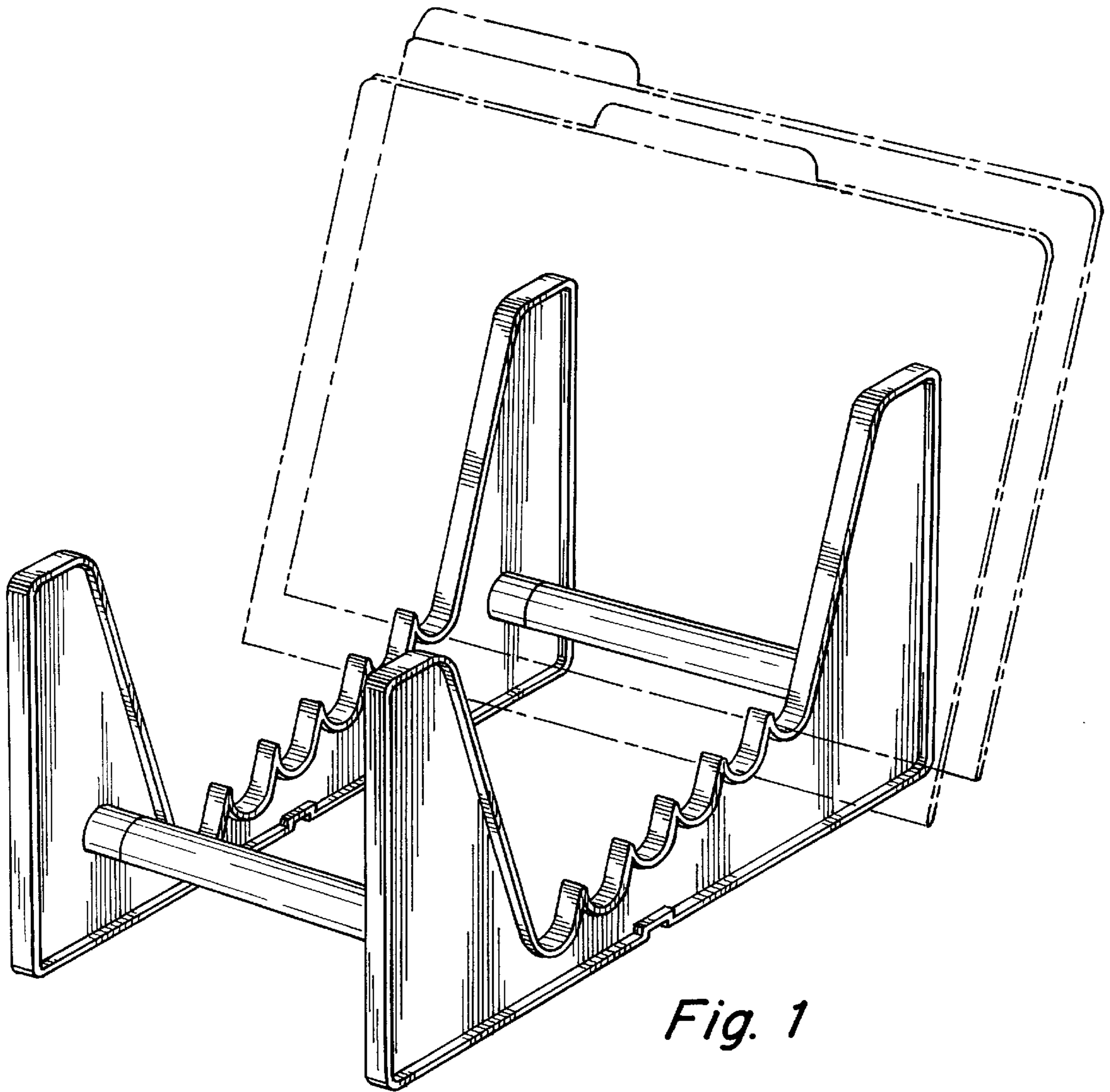


Fig. 1

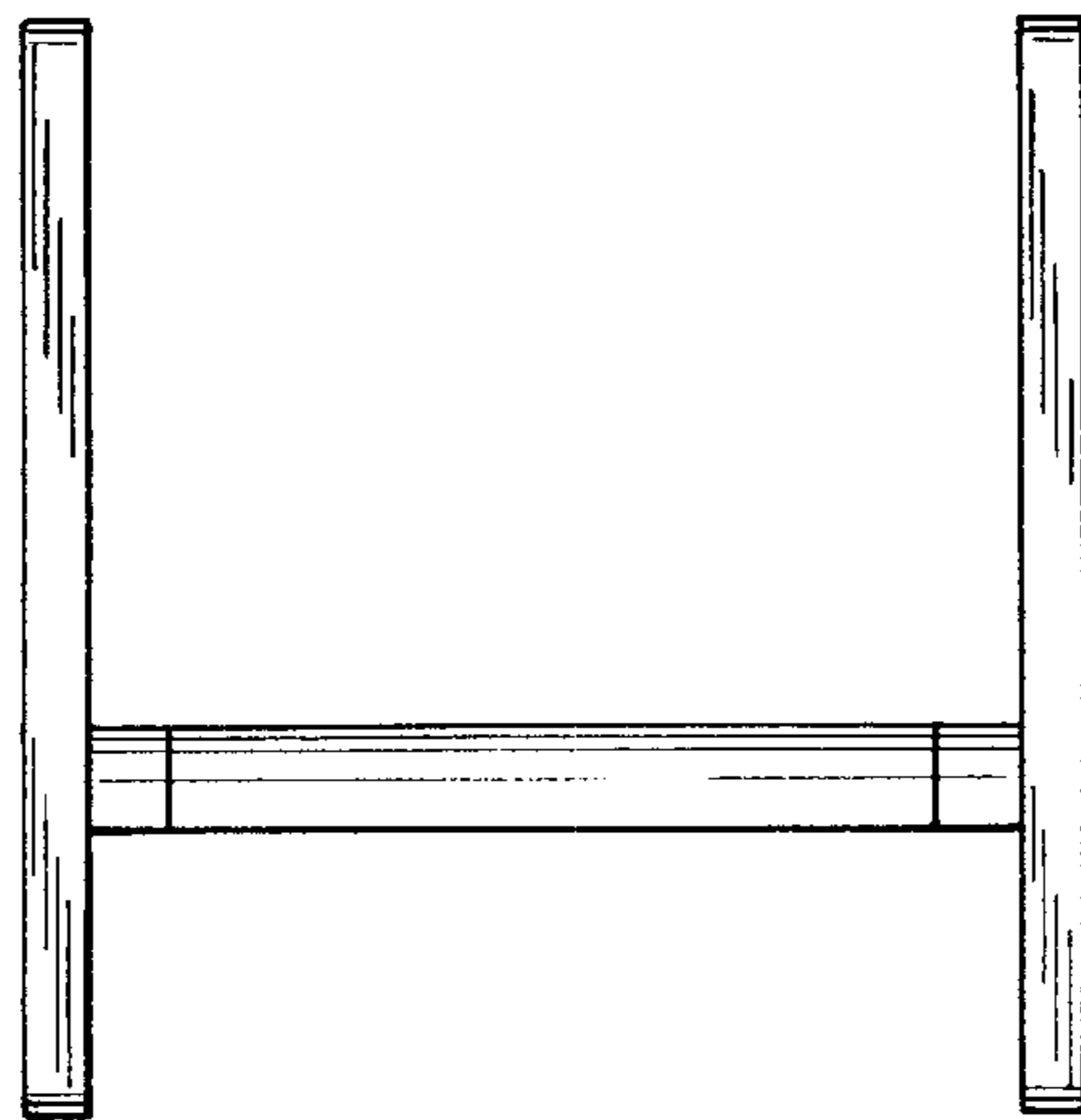


Fig. 2

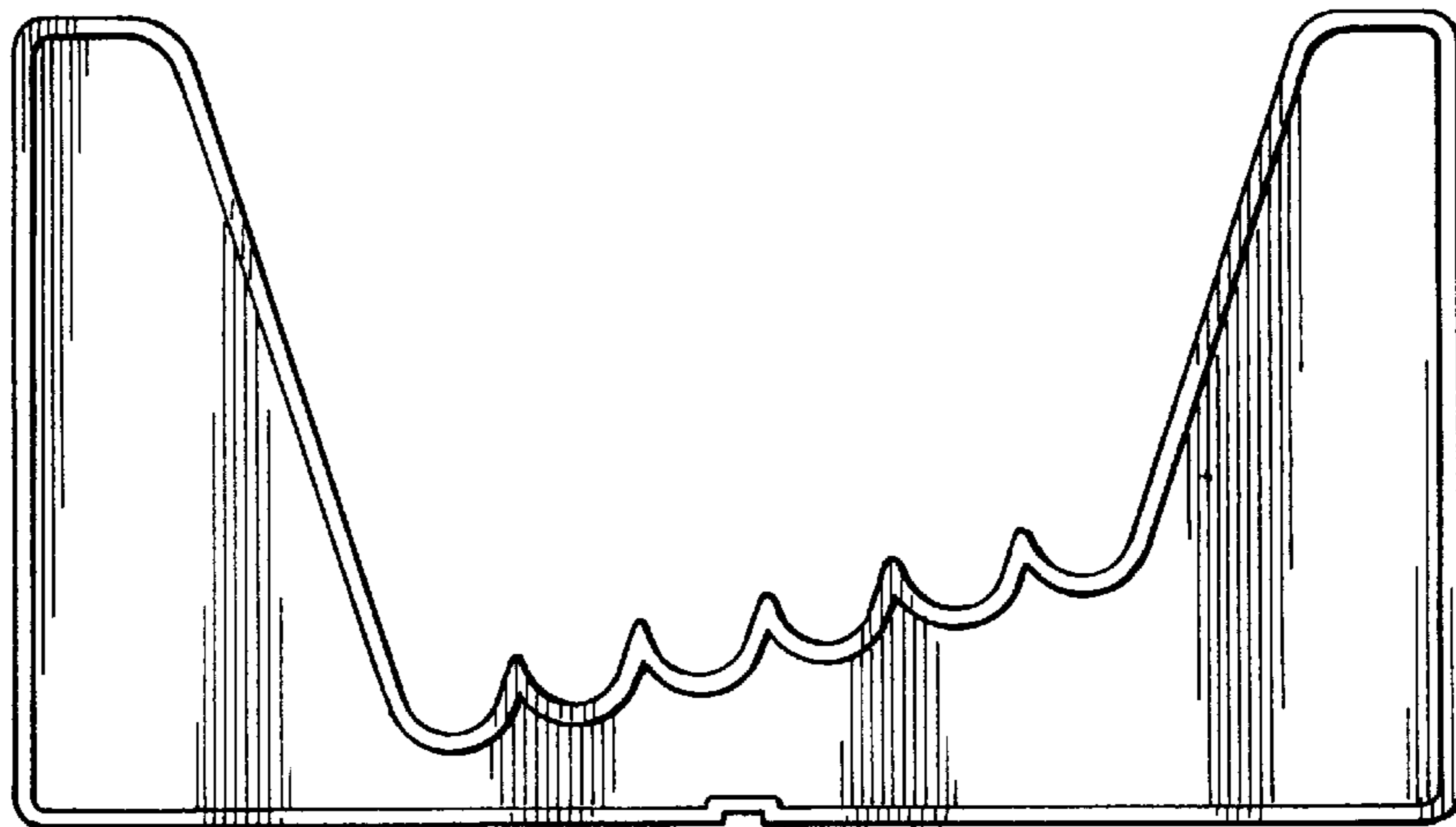


Fig. 3

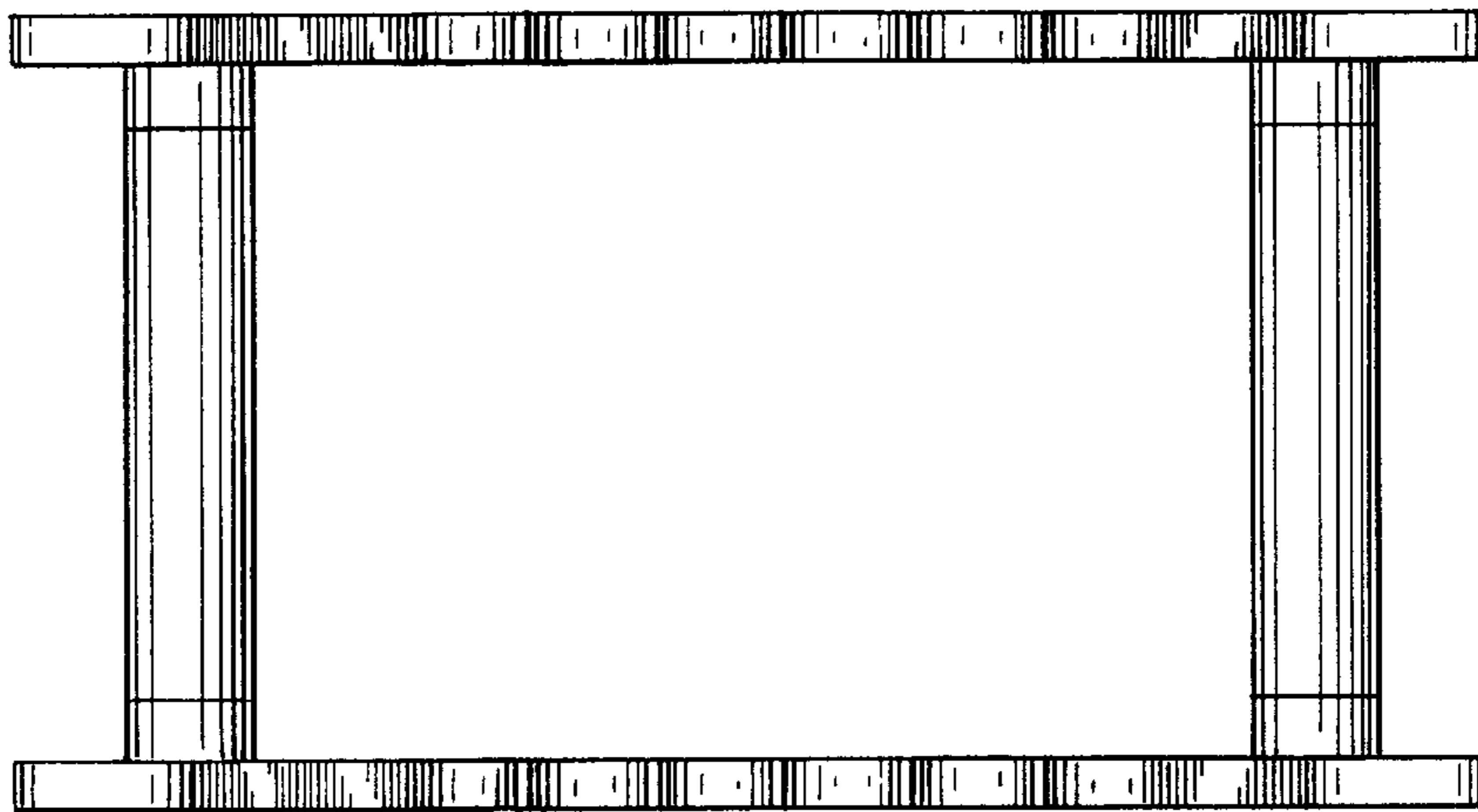


Fig. 4

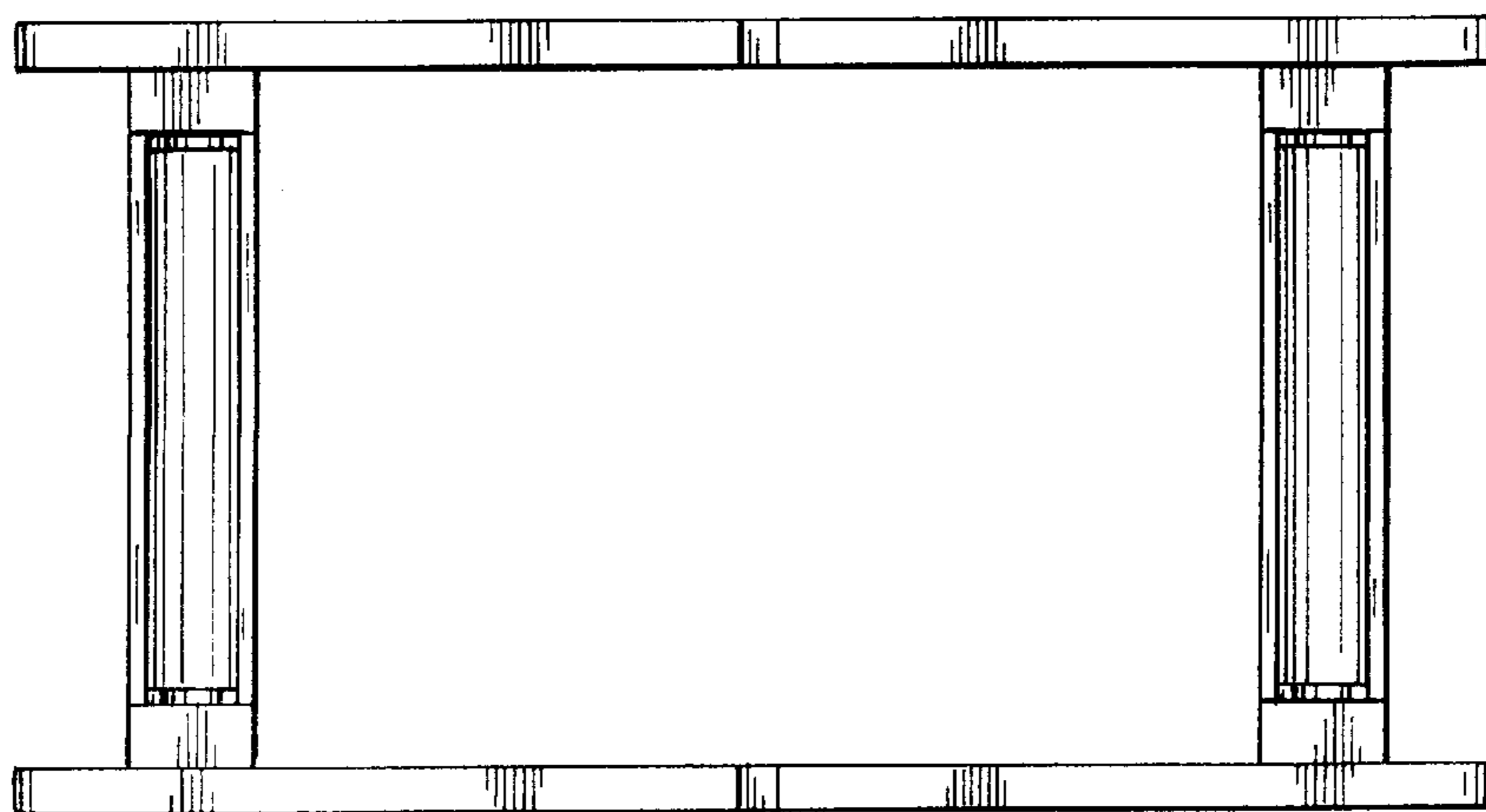


Fig. 5