



US00D405110S

United States Patent [19]

Yamamoto et al.

[11] Patent Number: **Des. 405,110**

[45] Date of Patent: ****Feb. 2, 1999**

[54] **PRINTER FOR ELECTRONIC COMPUTER**

[75] Inventors: **Takashi Yamamoto**, Kodaira;
Noriyoshi Ogura, Sayama; **Yukio Kuroiwa**, Higashimurayama; **Taisuke Kashima**, Urawa; **Kazuo Kikuchi**, Hitachi; **Tetsuji Takegoshi**, Hitachiohta, all of Japan

[73] Assignee: **Hitachi, Ltd.**, Tokyo, Japan

[**] Term: **14 Years**

[21] Appl. No.: **80,668**

[22] Filed: **Sep. 30, 1997**

[30] **Foreign Application Priority Data**

Apr. 18, 1997 [JP] Japan 9-51540

[51] **LOC (6) Cl.** **18-02**

[52] **U.S. Cl.** **D18/55; D18/55**

[58] **Field of Search** D18/50, 54-55,
D18/36-37; 400/613, 613.1-613.4, 690.1-690.4,
691-694

[56] **References Cited**

U.S. PATENT DOCUMENTS

D. 337,609 7/1993 Fukuda D18/55

D. 355,927 2/1995 Chiba D18/55
D. 368,113 3/1996 Tanaka et al. D18/55
D. 373,377 9/1996 Fetheroff D18/50
D. 376,814 12/1996 Asai et al. D18/50
D. 378,218 2/1997 Hong et al. D18/55
D. 384,695 10/1997 Takada D18/55
D. 386,519 11/1997 Meschter et al. D18/55

Primary Examiner—Cathy Anne MacCormac
Attorney, Agent, or Firm—Antonelli, Terry, Stout & Kraus, LLP

[57] **CLAIM**

The ornamental design for printer for electronic computer, as shown and described.

DESCRIPTION

FIG. 1 is a perspective front, right side and top view of a printer for electronic computer showing our new design; FIG. 2 is a front elevational view thereof; FIG. 3 is a right side view thereof; FIG. 4 is a top plan view thereof; FIG. 5 is a left side view thereof; FIG. 6 is a rear side view thereof; and, FIG. 7 is bottom view thereof.

1 Claim, 5 Drawing Sheets

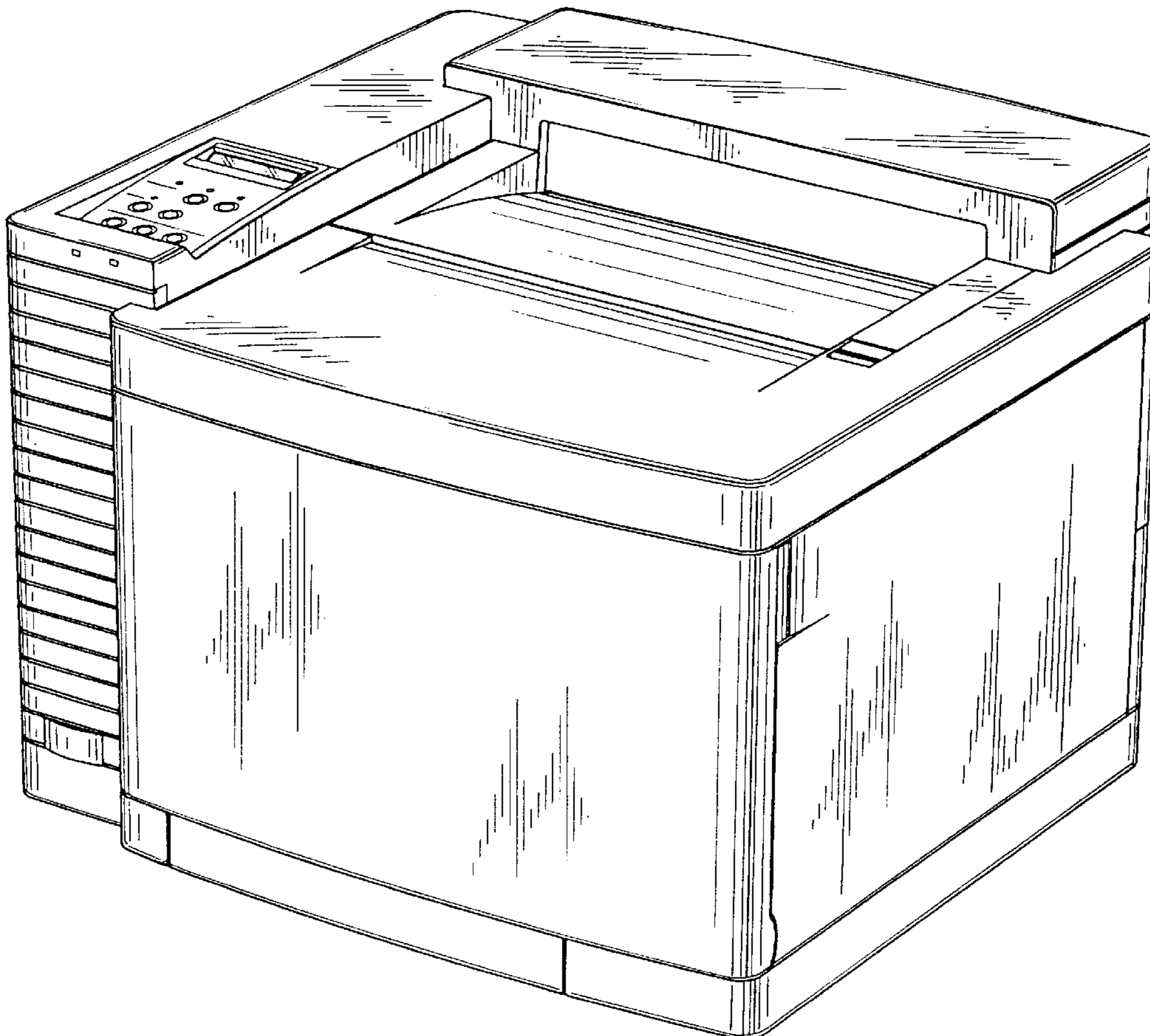


FIG. 1

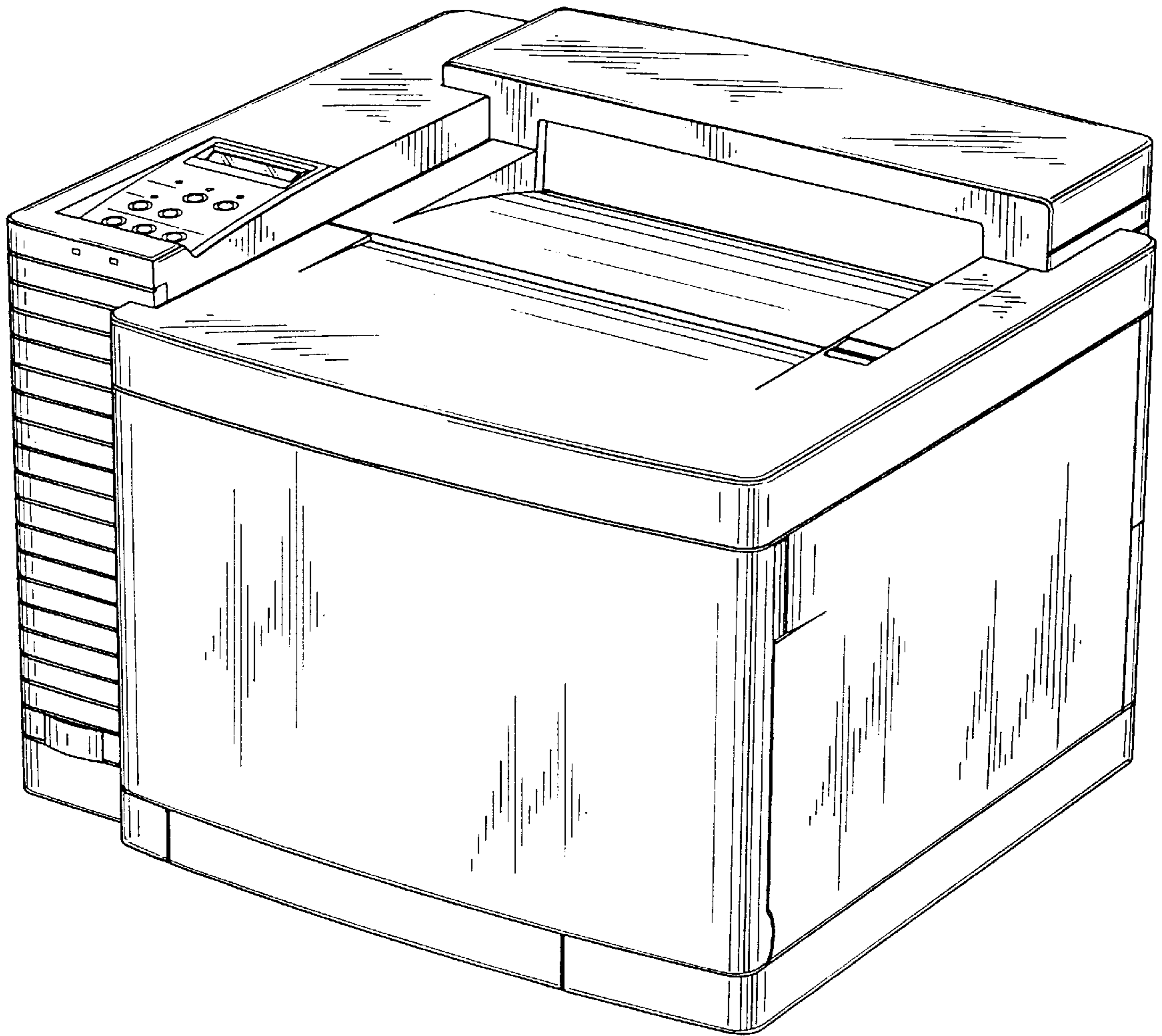


FIG. 2

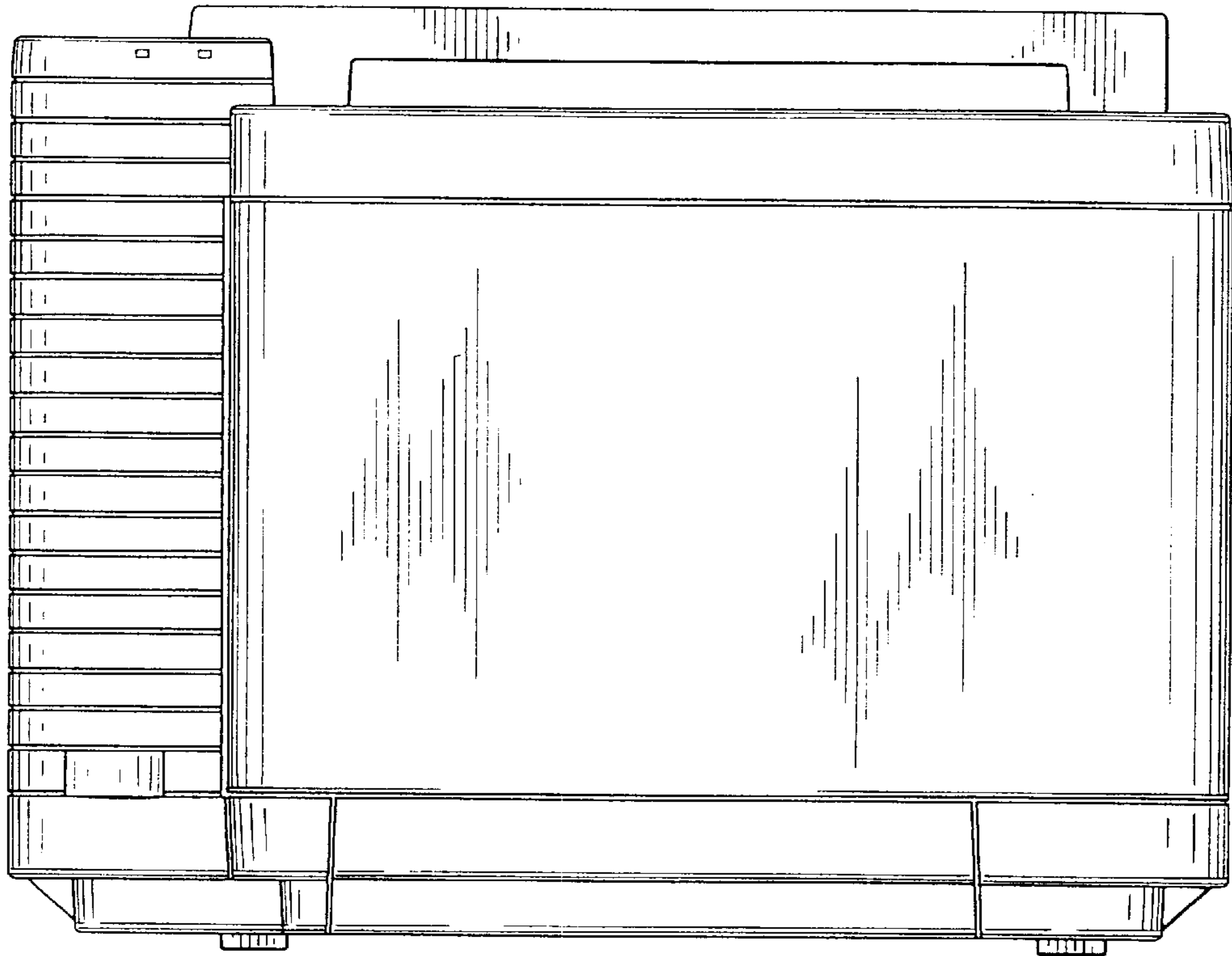


FIG. 3

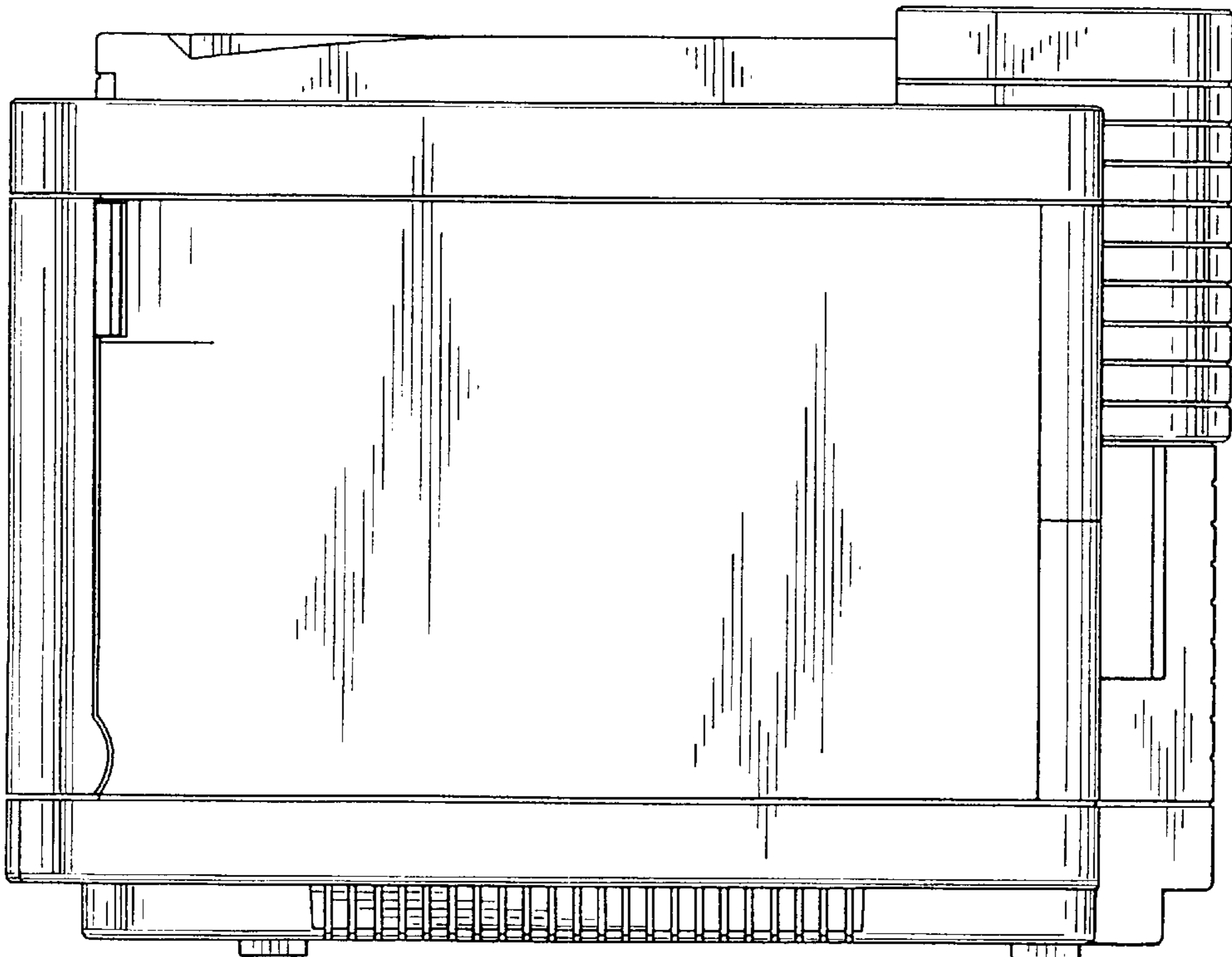


FIG. 4

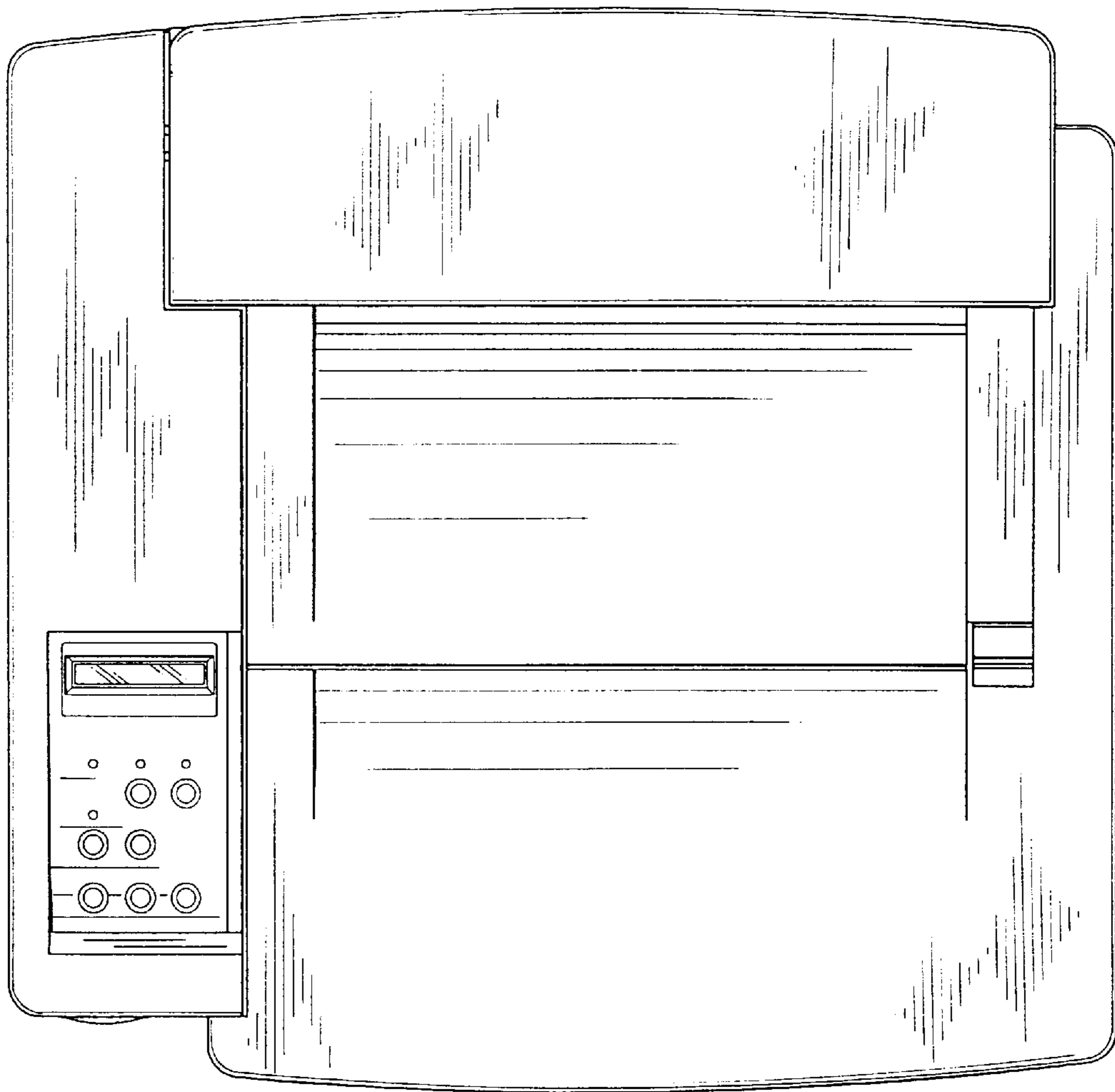


FIG. 5

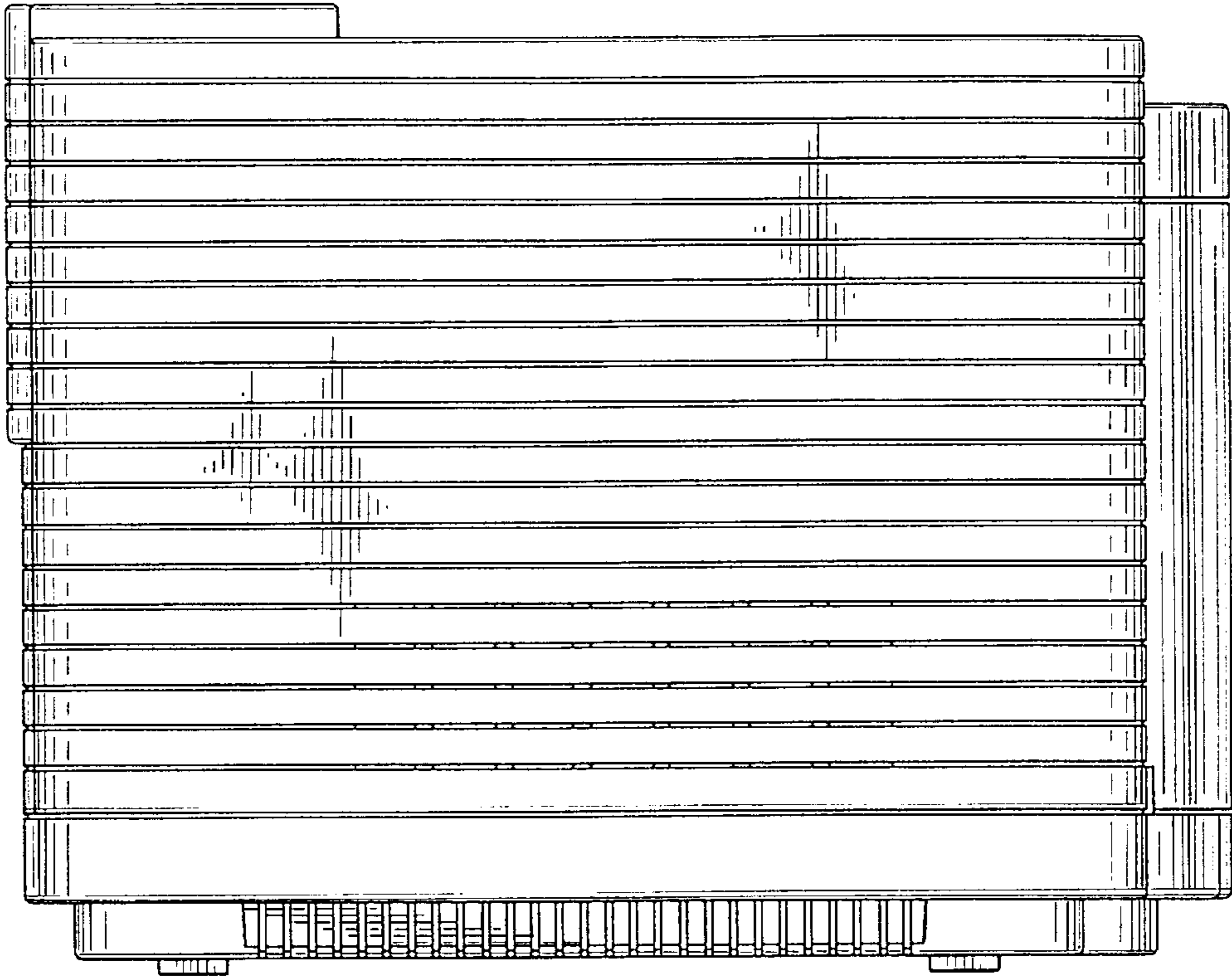


FIG. 6

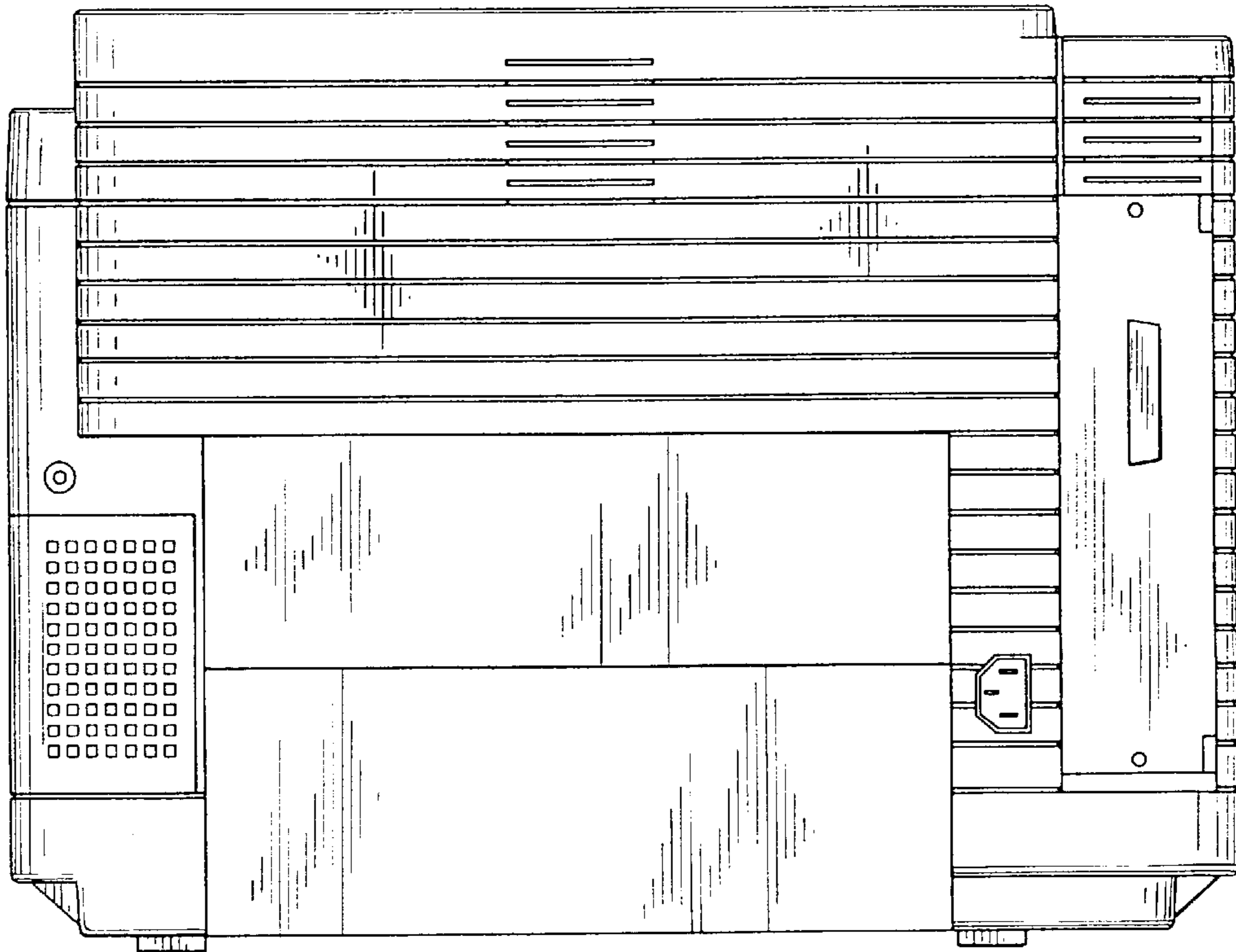


FIG. 7

