



US00D405105S

**United States Patent** [19]  
**Gerani**

[11] **Patent Number: Des. 405,105**

[45] **Date of Patent: \*\*Feb. 2, 1999**

[54] **EYEGLASSES**

[75] Inventor: **Stefania Gerani**, S.Giovanni In Marignano, Italy

[73] Assignee: **Gilmar S.P.A.**, San Giovanni In Marignano, Italy

[\*\*] Term: **14 Years**

[21] Appl. No.: **79,072**

[22] Filed: **Nov. 7, 1997**

[30] **Foreign Application Priority Data**

May 8, 1997 [IT] Italy ..... B097 0 000027

[51] **LOC (6) Cl.** ..... **16-06**

[52] **U.S. Cl.** ..... **D16/328; D16/335; D16/334**

[58] **Field of Search** ..... D16/101, 300, D16/302, 303, 306, 309, 313-330, 334, 335, 336, 338, 341; 351/41, 44, 51, 52, 111, 113-114, 118-119, 122-123, 158

[56] **References Cited**

**U.S. PATENT DOCUMENTS**

D. 261,771 11/1981 Jobbins, Jr. .... D16/320

3,052,160 9/1962 Ratti ..... D16/335  
4,904,075 2/1990 Blumenthal ..... 351/113  
4,963,013 10/1990 Bononi ..... 351/111  
5,640,217 6/1997 Hautcoeur et al. .... 351/41

**OTHER PUBLICATIONS**

Macy's Catalog, Eyeglasses at top middle of page.

*Primary Examiner*—Raphael Barkai  
*Attorney, Agent, or Firm*—Dvorak & Orum

[57] **CLAIM**

The ornamental design for eyeglasses, as shown and described.

**DESCRIPTION**

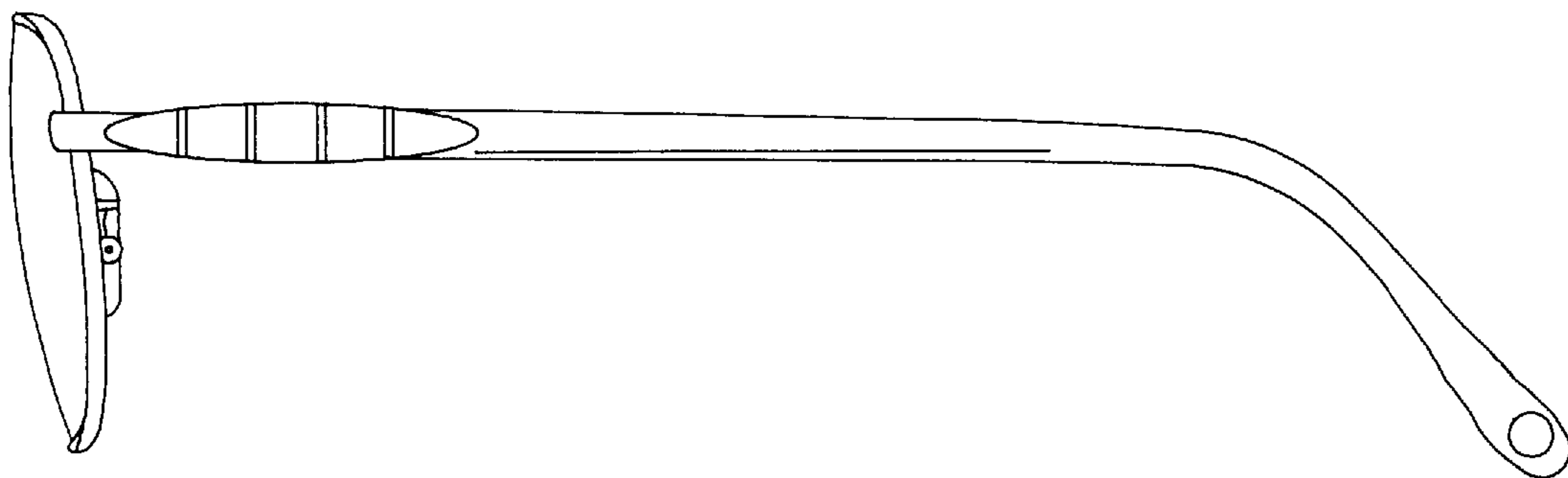
FIG. 1 is a left side view of the eyeglasses showing the claimed design, the right side view being a mirror image thereof;

FIG. 2 is a front view thereof;

FIG. 3 is a partial top view thereof showing the ear-piece in a slightly folded position; and,

FIG. 4 is a partial top view thereof.

**1 Claim, 1 Drawing Sheet**



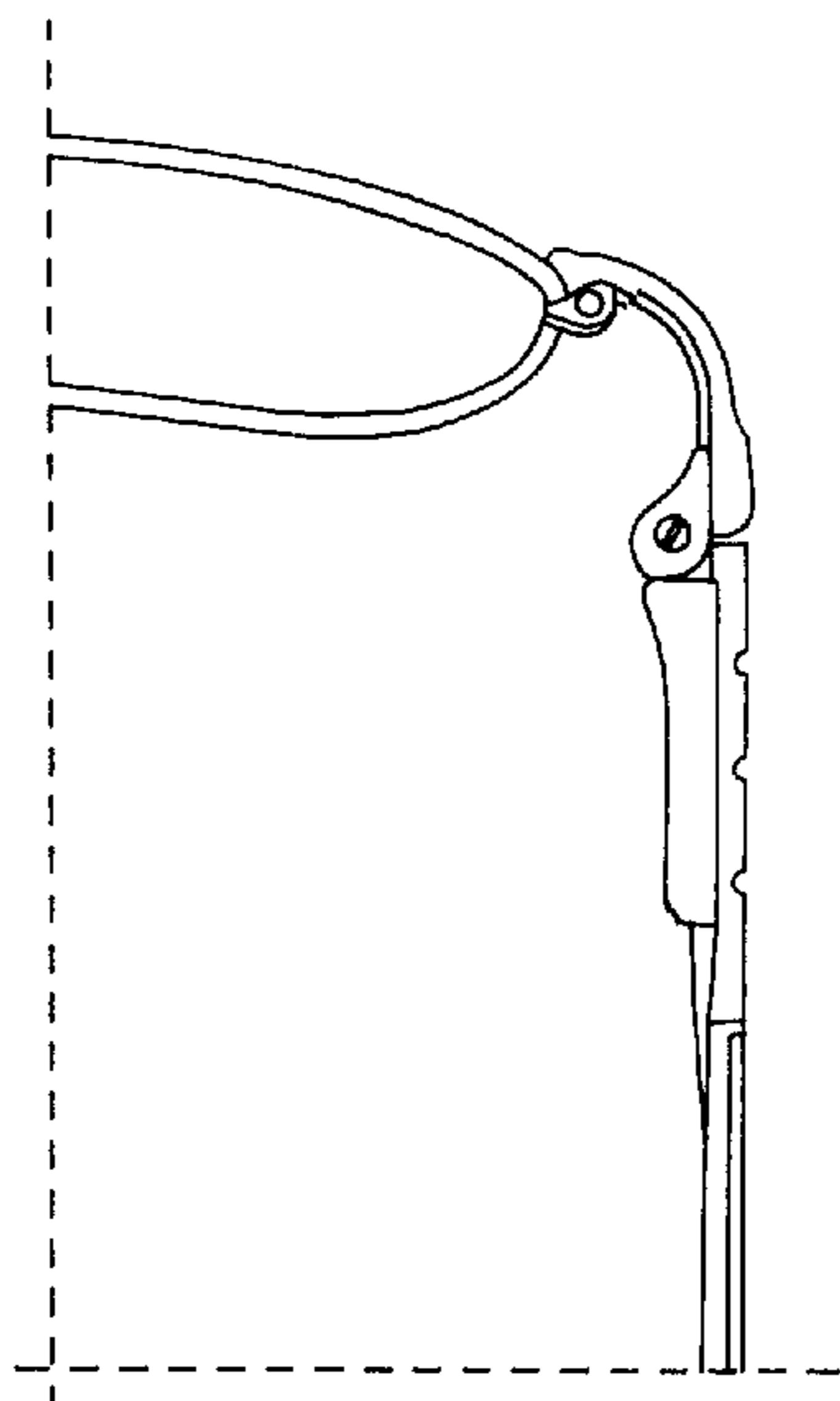


FIG. 4

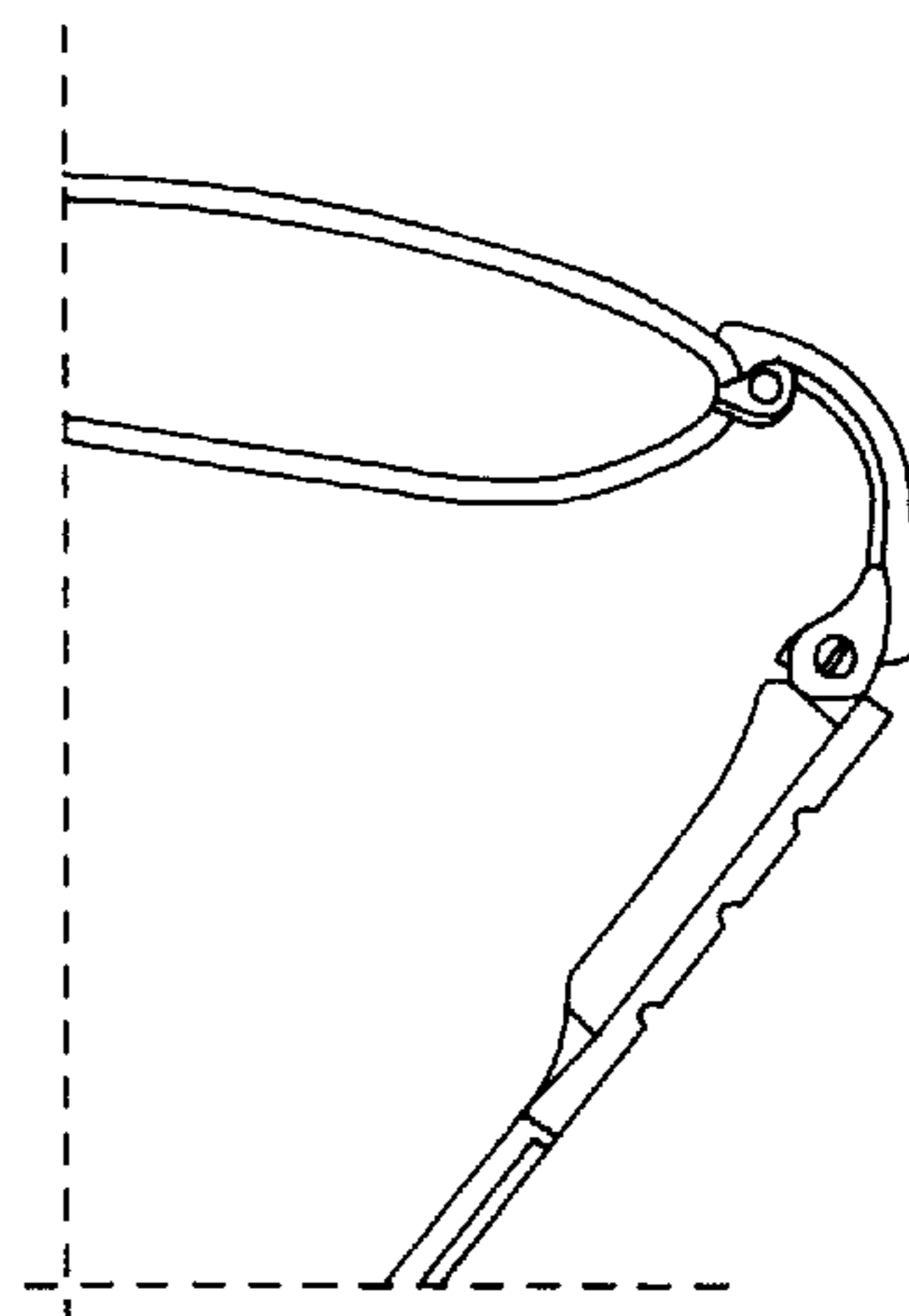


FIG. 3

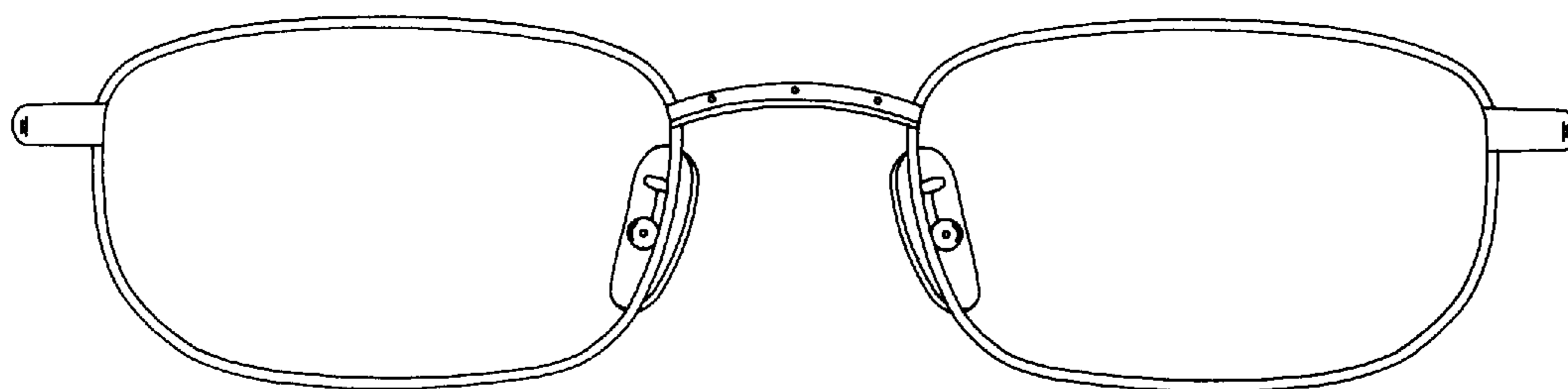


FIG. 2

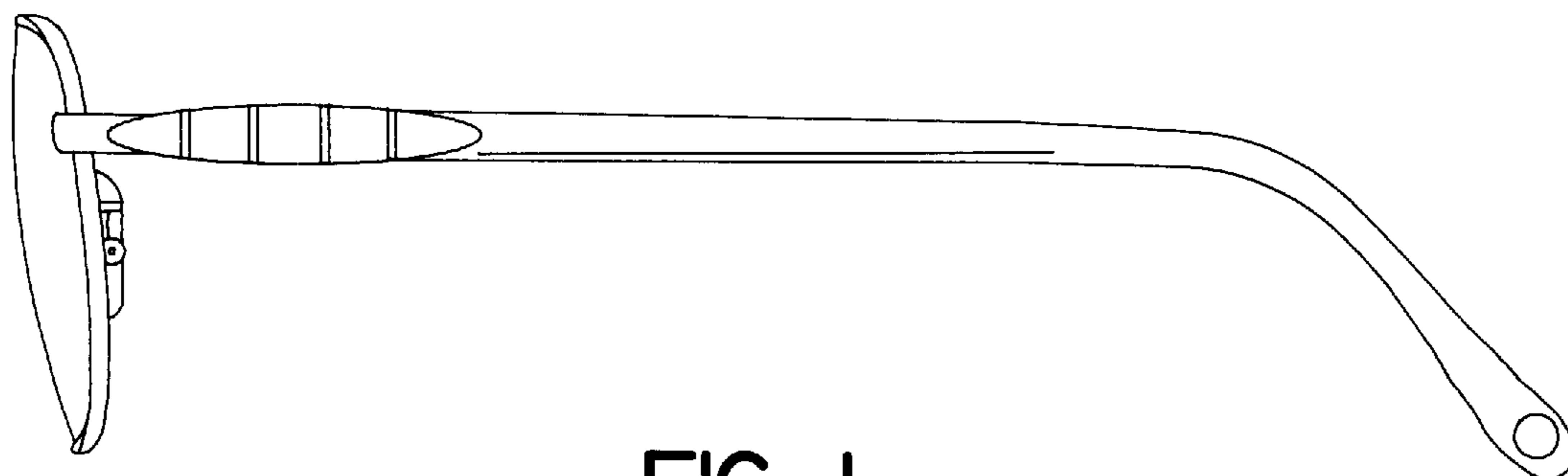


FIG. 1