



US00D405102S

United States Patent [19]

Moritz et al.

[11] Patent Number: **Des. 405,102**

[45] Date of Patent: ****Feb. 2, 1999**

[54] **GOGGLE**

[75] Inventors: **Hanz Moritz**, South Pasadena; **George Tackles**, Capistrano Beach, both of Calif.

[73] Assignee: **Oakley, Inc.**, Foothill Ranch, Calif.

[**] Term: **14 Years**

[21] Appl. No.: **82,273**

[22] Filed: **Jan. 20, 1998**

[51] **LOC (6) Cl.** **16-06**

[52] **U.S. Cl.** **D16/312**

[58] **Field of Search** D16/101, 300-301, D16/303-304, 306-309, 311-313; 351/41, 44, 51, 52, 158; 2/426-432, 434-437, 447

[56] **References Cited**

U.S. PATENT DOCUMENTS

D. 224,483	8/1972	Crestin-Billet	D16/312
D. 230,439	2/1974	Rabuse .	
D. 232,983	10/1974	Rabuse .	
D. 322,795	12/1991	Dianitsch	D16/312
D. 358,159	5/1995	Lai	D16/312
3,517,393	6/1970	Beauchef .	
3,638,240	2/1972	Militello .	
3,708,224	1/1973	Lindblom .	
3,945,044	3/1976	McGee et al.	2/436
4,290,673	9/1981	Yamamoto .	
4,428,081	1/1984	Smith .	

4,435,852	3/1984	Nesler .	
4,447,914	5/1984	Jannard .	
4,455,689	6/1984	Boyer .	
4,563,065	1/1986	Kreissl .	
4,716,601	1/1988	McNeal .	
5,138,723	8/1992	Bolle	2/432
5,617,588	4/1997	Canavan et al.	2/437

OTHER PUBLICATIONS

Alpina Professional Eyewear, Optik, Preisliste Sport 1996/97.

Alpina, High Impact Resistant Lens, Ski & Sportsglasses By Alpine, '96/'97.

Primary Examiner—Raphael Barkai
Attorney, Agent, or Firm—Knobbe, Martens, Olson & Bear, LLP

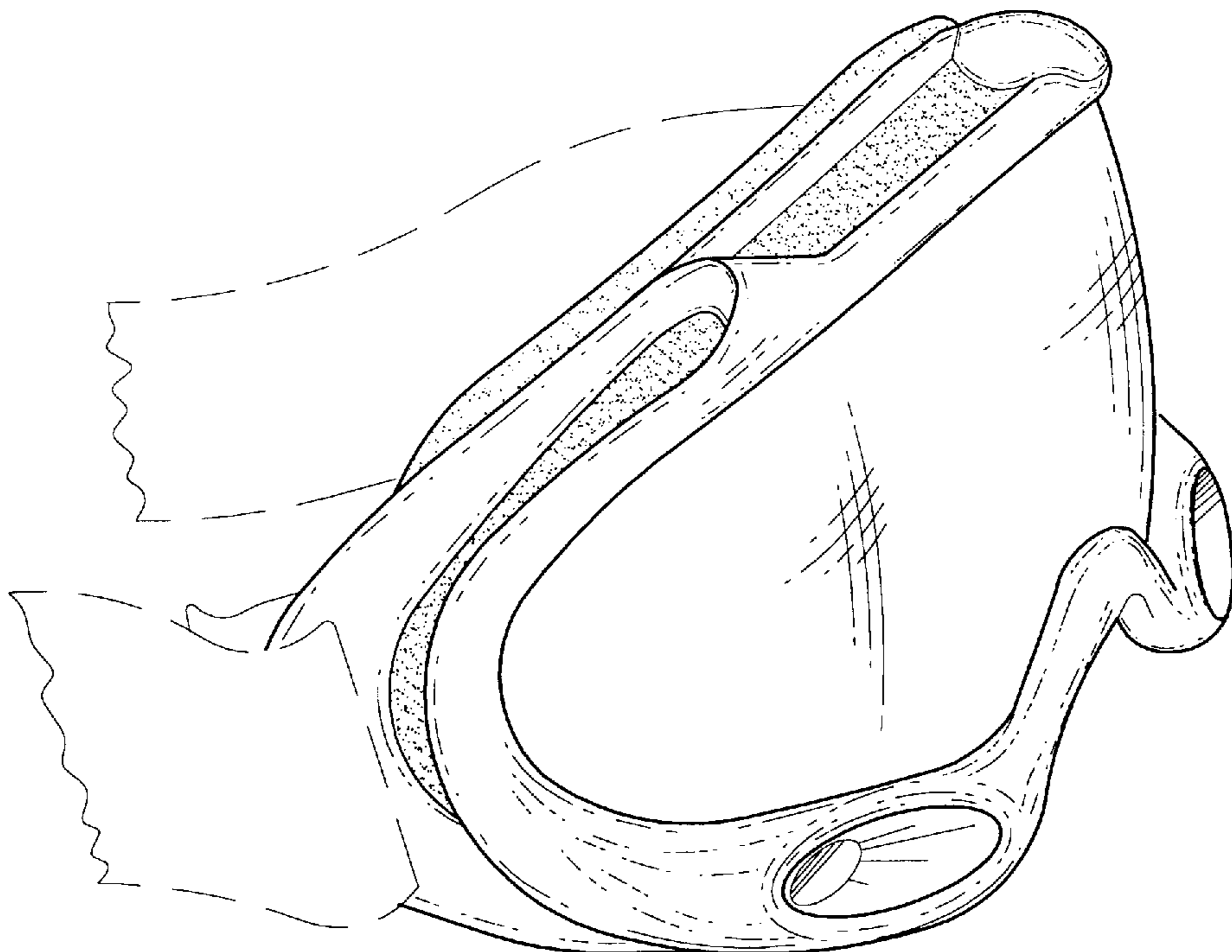
[57] **CLAIM**

The ornamental design for a goggle, as shown and described.

DESCRIPTION

FIG. 1 is a perspective view of the goggle of the present invention, a headband shown in phantom; FIG. 2 is a front elevational view thereof; FIG. 3 is a rear elevational view thereof; FIG. 4 is a right side elevational view thereof; FIG. 5 is a left side elevational view thereof; FIG. 6 is a top plan view thereof; and, FIG. 7 is a bottom plan view thereof.

1 Claim, 4 Drawing Sheets



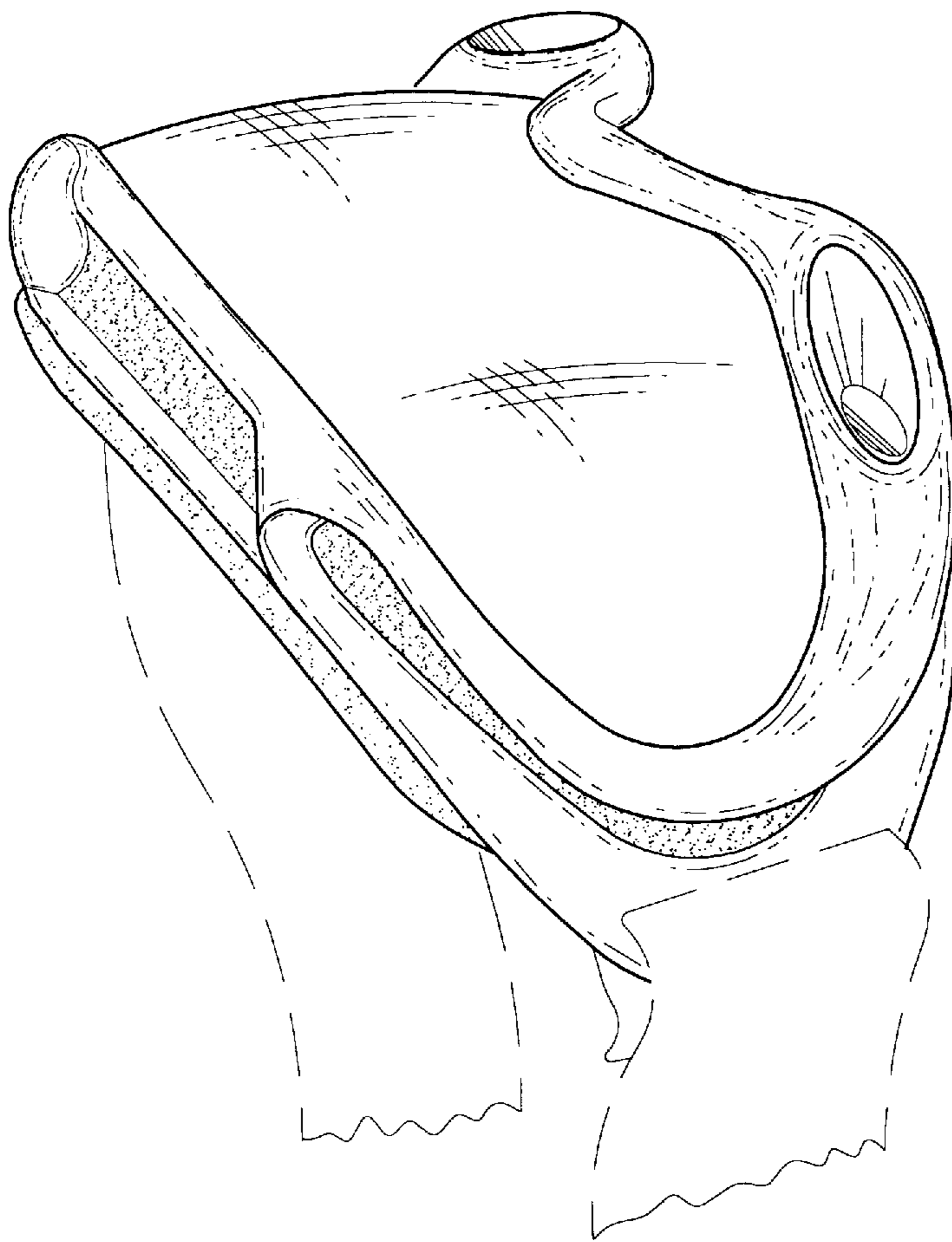


FIG. 1

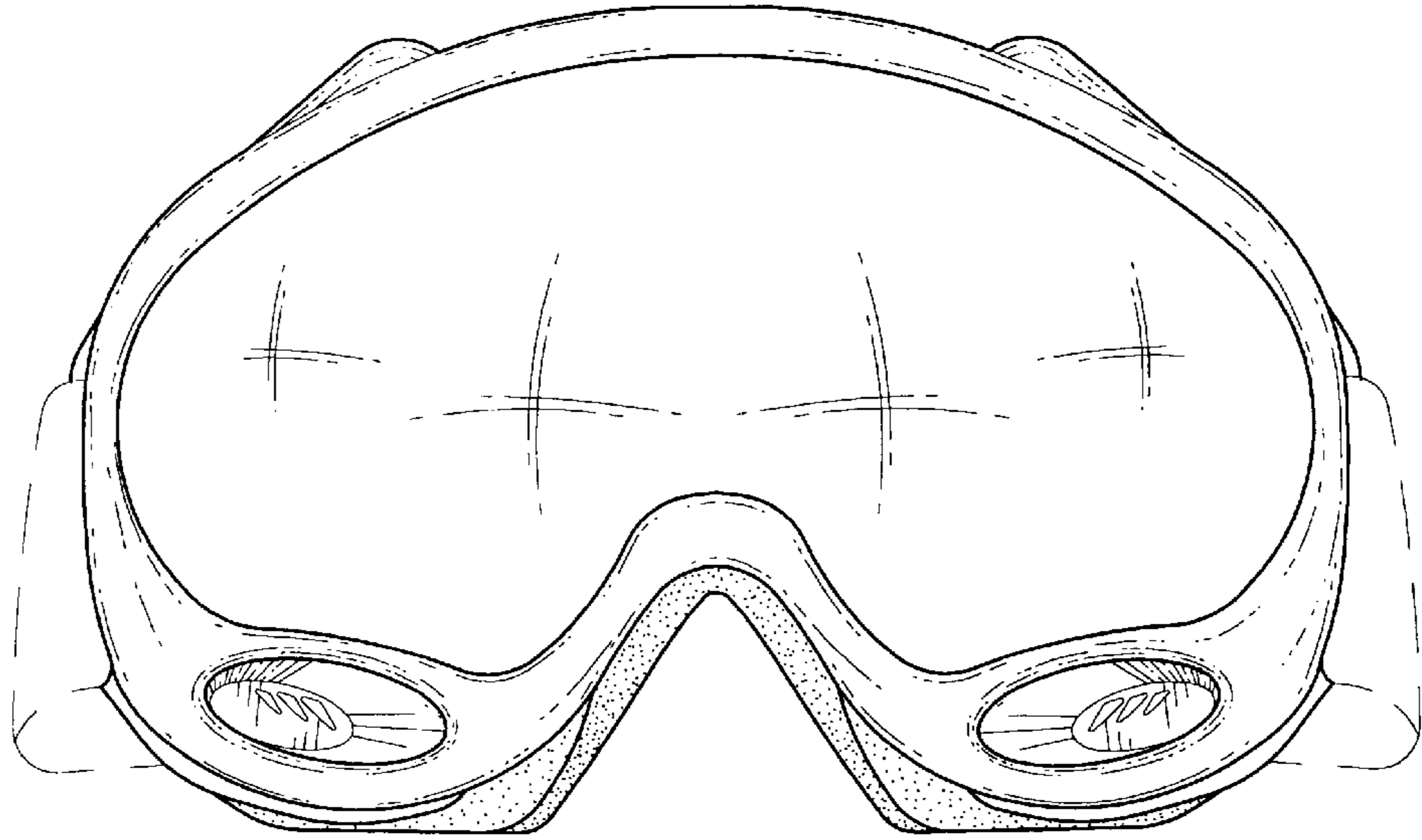


FIG. 2

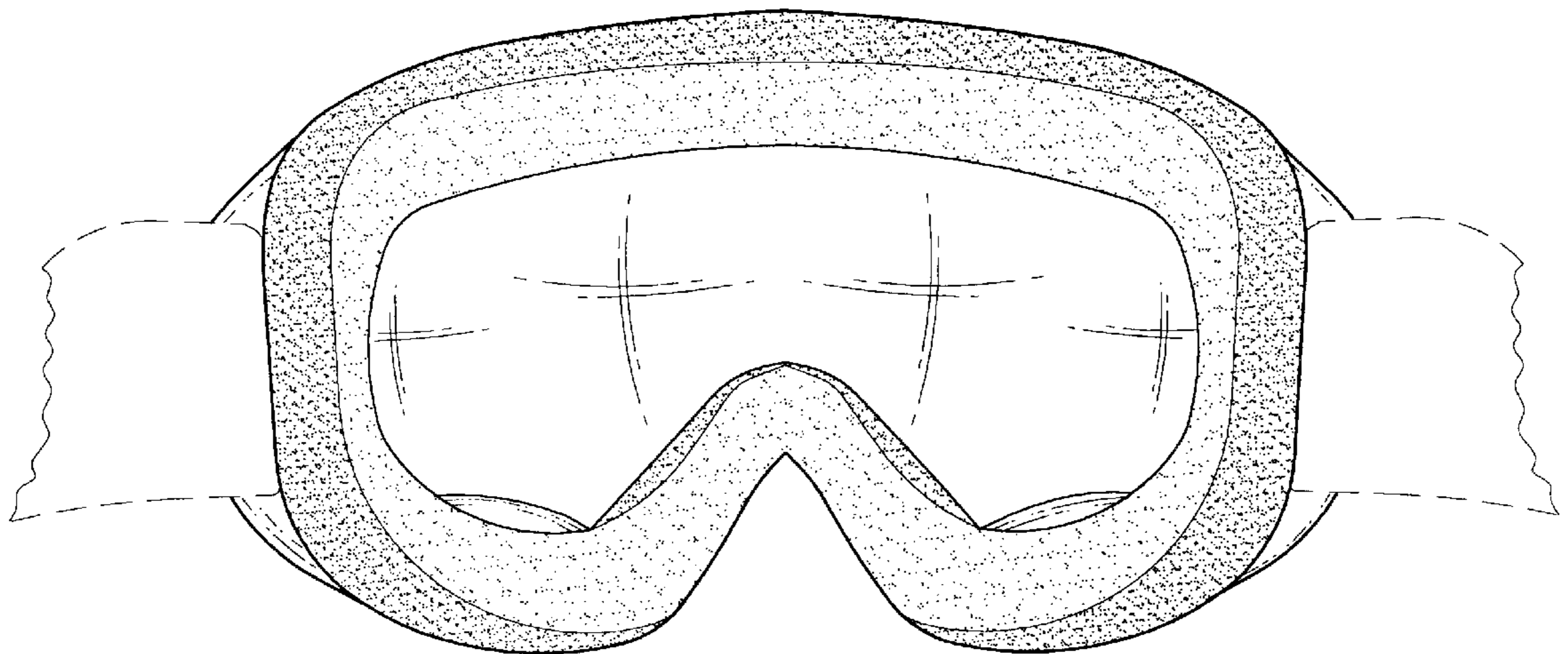


FIG. 3

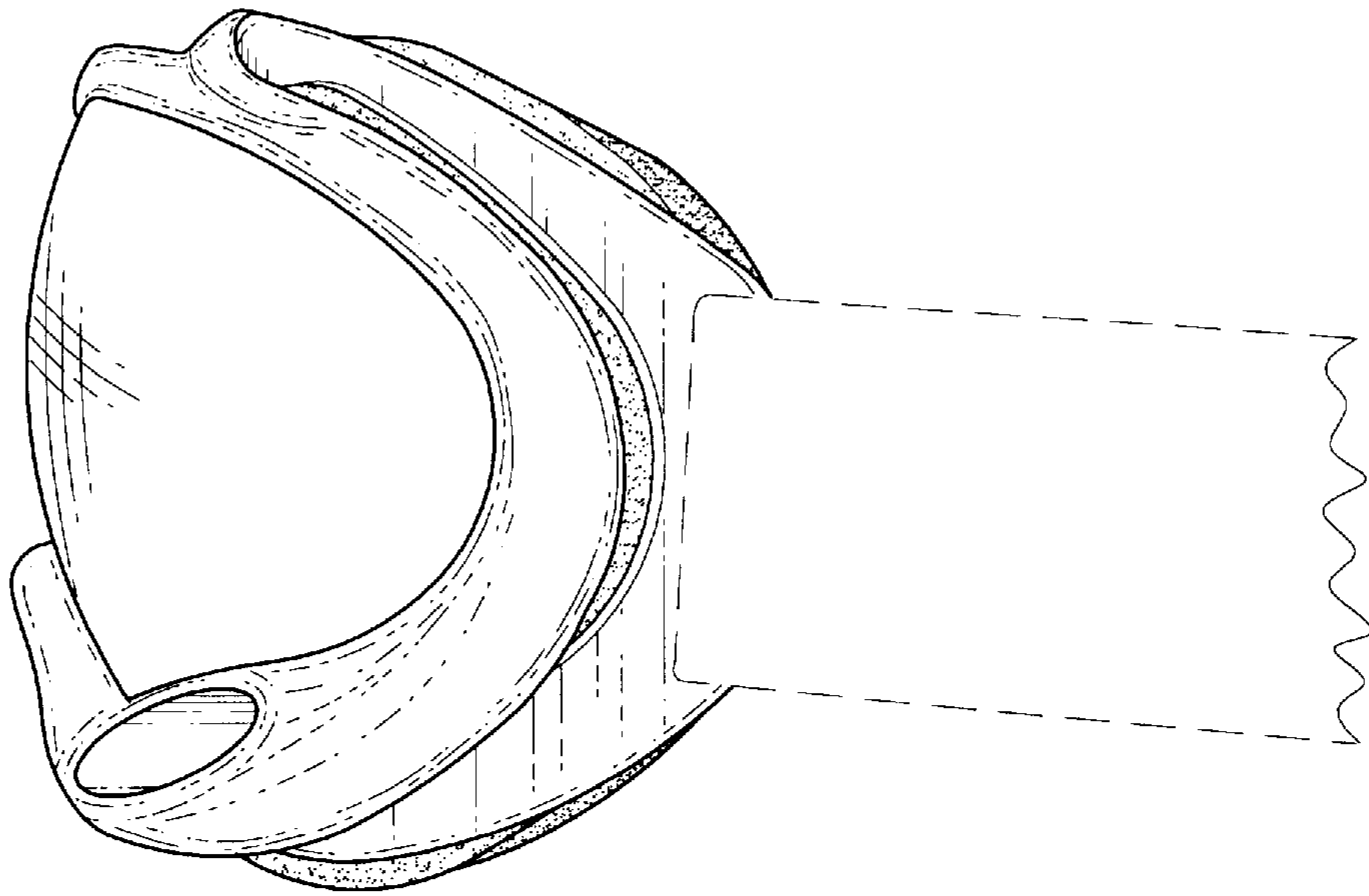


FIG. 4

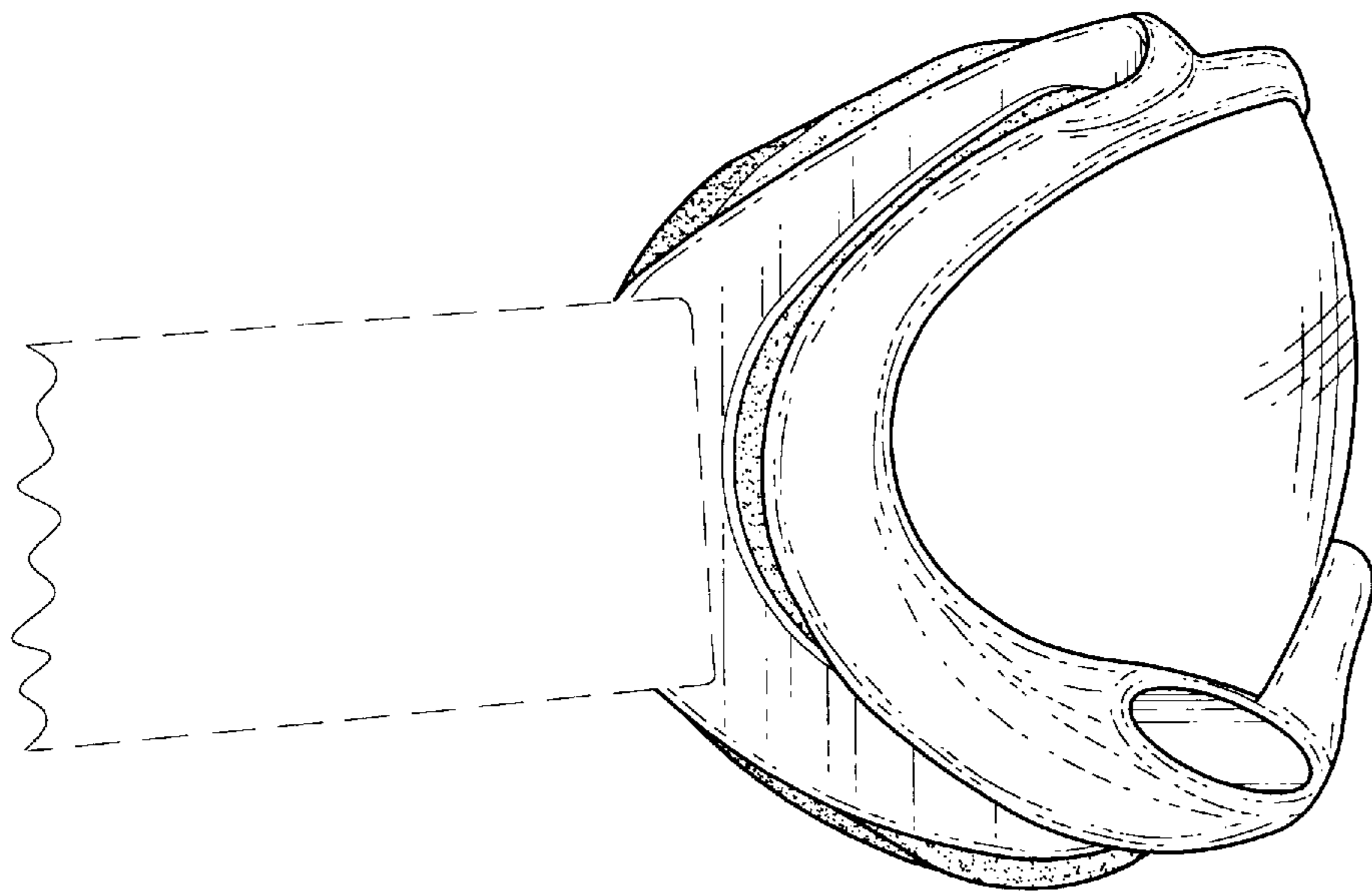


FIG. 5

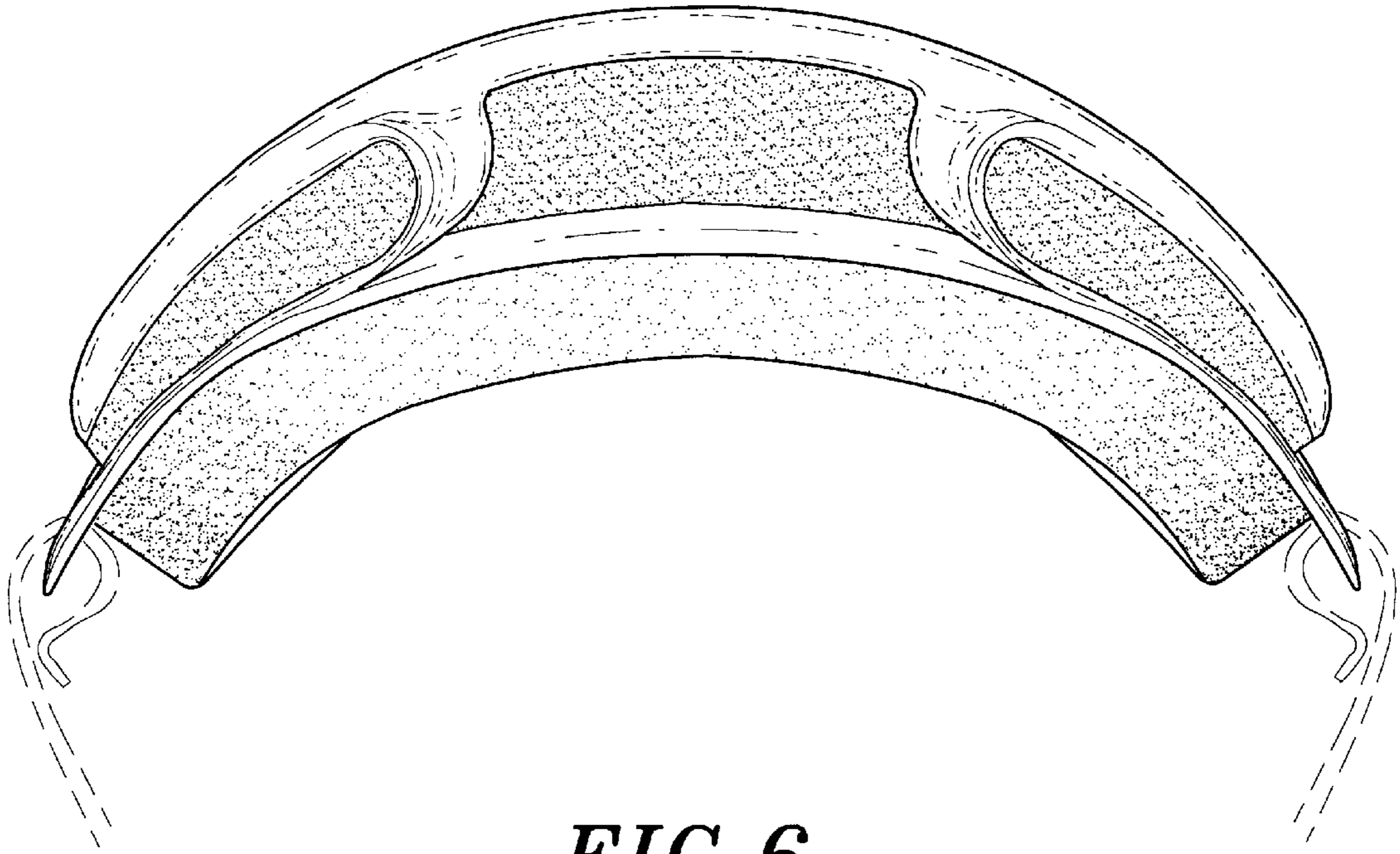


FIG. 6

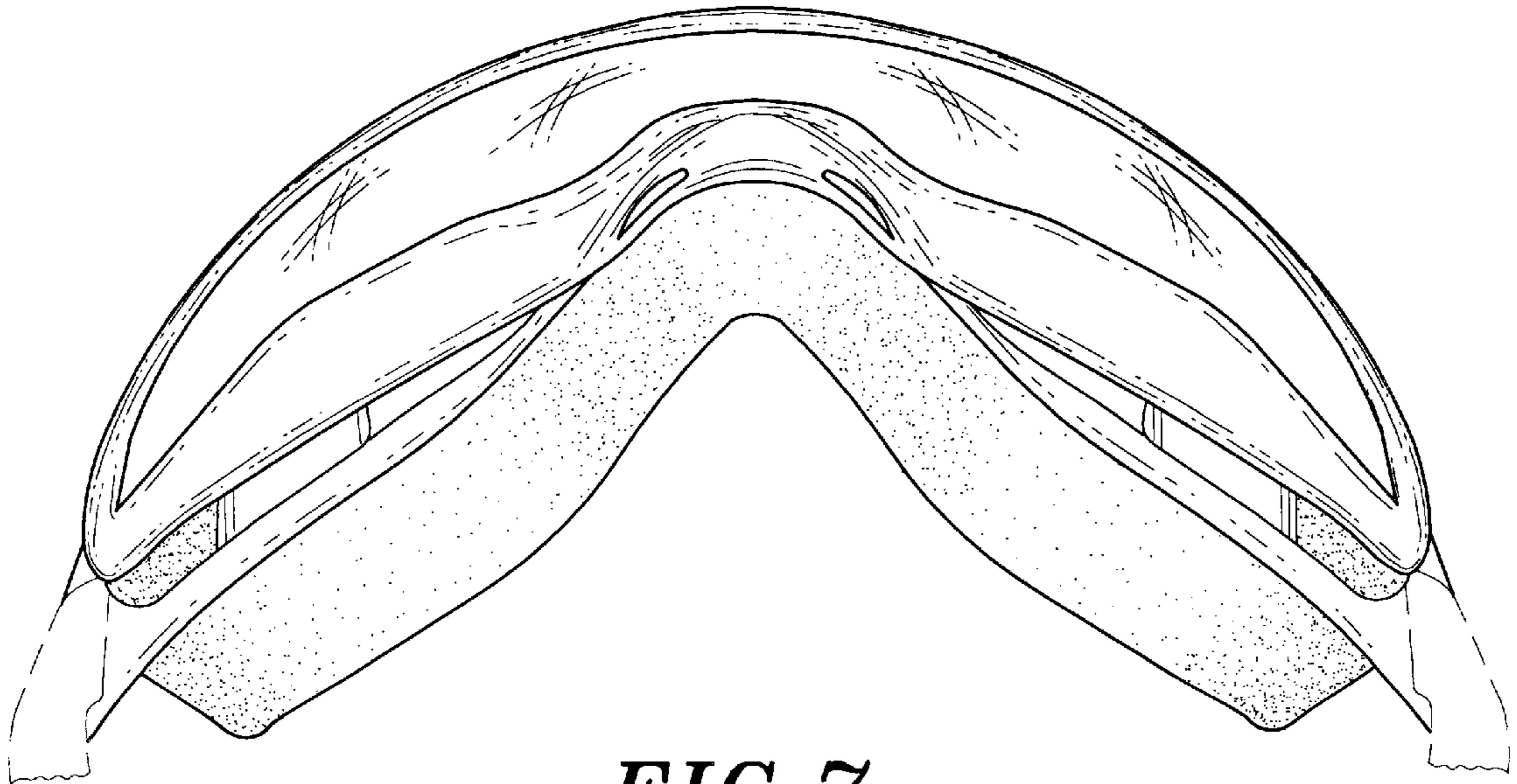


FIG. 7