



US00D405101S

United States Patent [19] Gotham

[11] **Patent Number: Des. 405,101**

[45] **Date of Patent: **Feb. 2, 1999**

[54] **FILM SCANNER**

D. 383,452	9/1997	Thompson et al.	D14/107
D. 387,740	12/1997	Kondo	D14/107
4,149,091	4/1979	Crean et al.	250/566

[75] Inventor: **David R. Gotham**, Rochester, N.Y.

[73] Assignee: **Eastman Kodak Company**, Rochester, N.Y.

Primary Examiner—Raphael Barkai
Assistant Examiner—Adir Aronovich
Attorney, Agent, or Firm—Francis H. Boos, Jr.

[*] Notice: The term of this patent shall not extend beyond the expiration date of Pat. No. Des. 399,864.

[57] **CLAIM**

[**] Term: **14 Years**

The ornamental design for a film scanner, as shown and described.

[21] Appl. No.: **80,287**

DESCRIPTION

[22] Filed: **Nov. 14, 1997**

FIG. 1 is a front, top, right-side perspective view of a film scanner showing my new design;
FIG. 2 is a rear, top, right-side perspective view thereof with film cartridge chamber access door closed;
FIG. 3 is a front elevational view thereof;
FIG. 4 is a rear elevational view thereof;
FIG. 5 is a top plan view thereof;
FIG. 6 is a bottom plan view thereof;
FIG. 7 is a right-side elevation view thereof;
FIG. 8 is a left-side elevation view thereof; and,
FIG. 9 is a front, top, right-side perspective view thereof with film cartridge access door open.

[51] **LOC (6) Cl. 16-04**

[52] **U.S. Cl. D16/246**

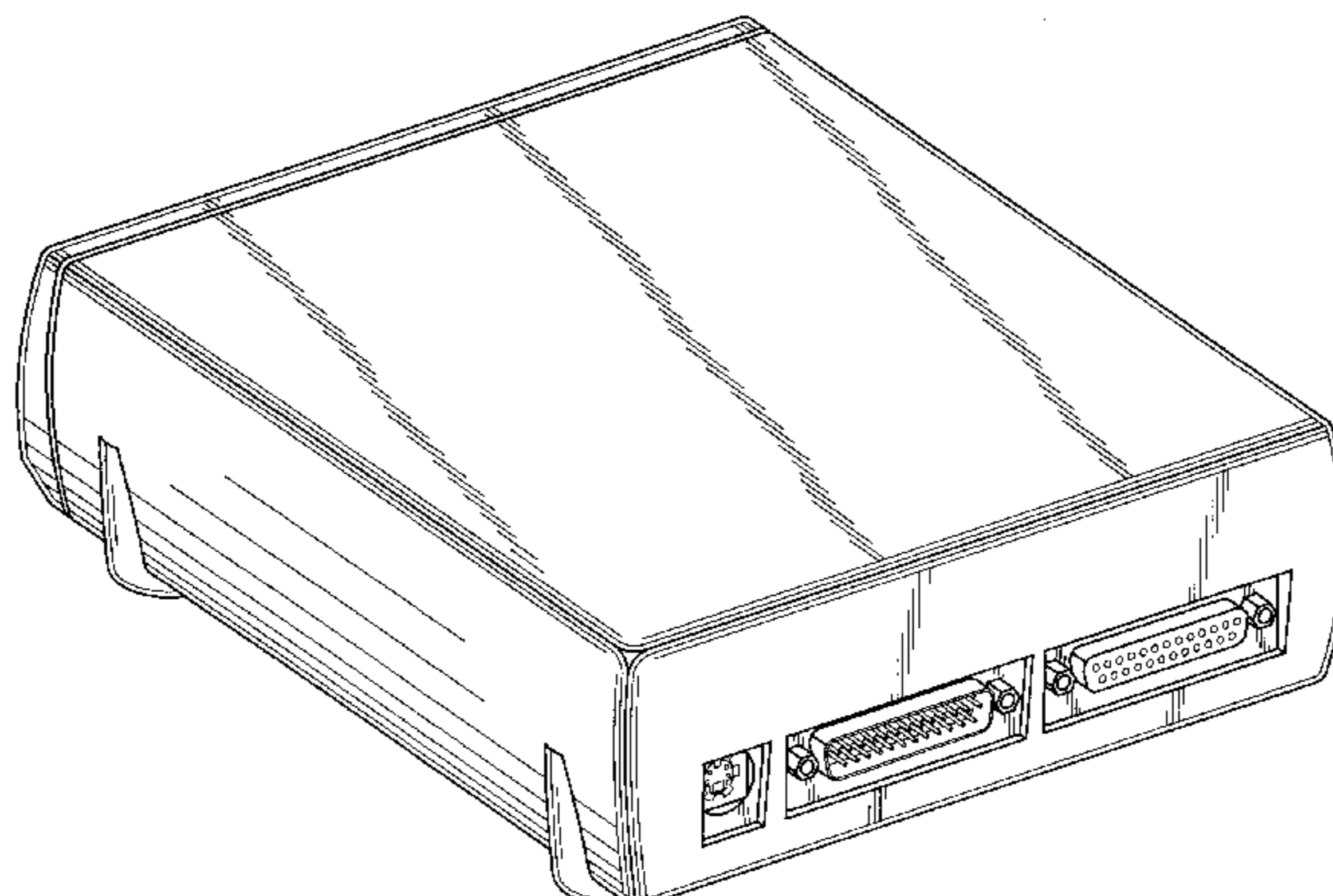
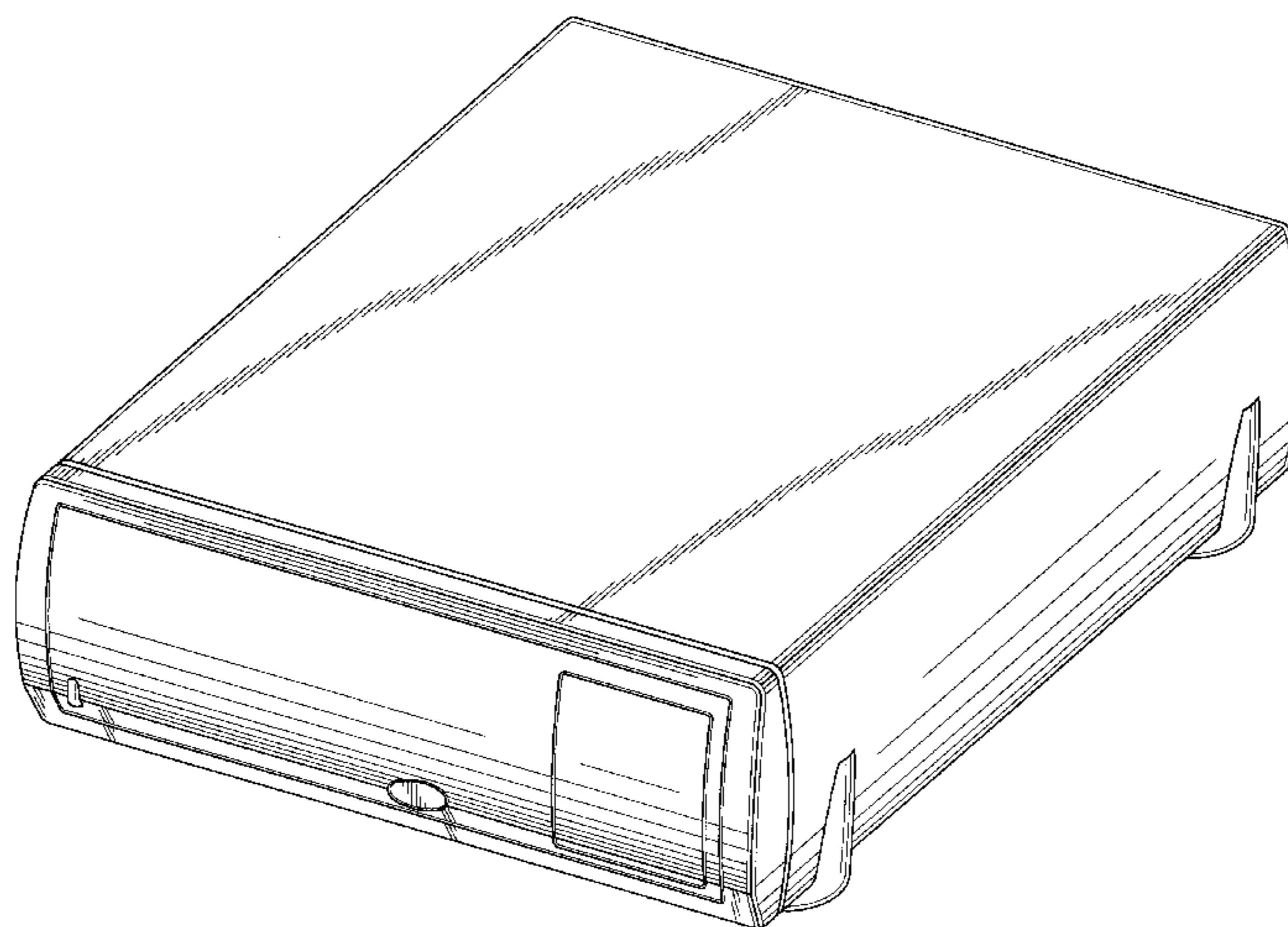
[58] **Field of Search** D14/105, 107;
D16/246-250; 250/566, 568; 355/64, 65,
231, 233; 358/408, 474, 497

[56] **References Cited**

U.S. PATENT DOCUMENTS

D. 219,180	11/1970	Stewart et al.	D16/246
D. 356,783	3/1995	Demar et al.	D14/107
D. 383,139	9/1997	Hill et al.	D14/107

1 Claim, 9 Drawing Sheets



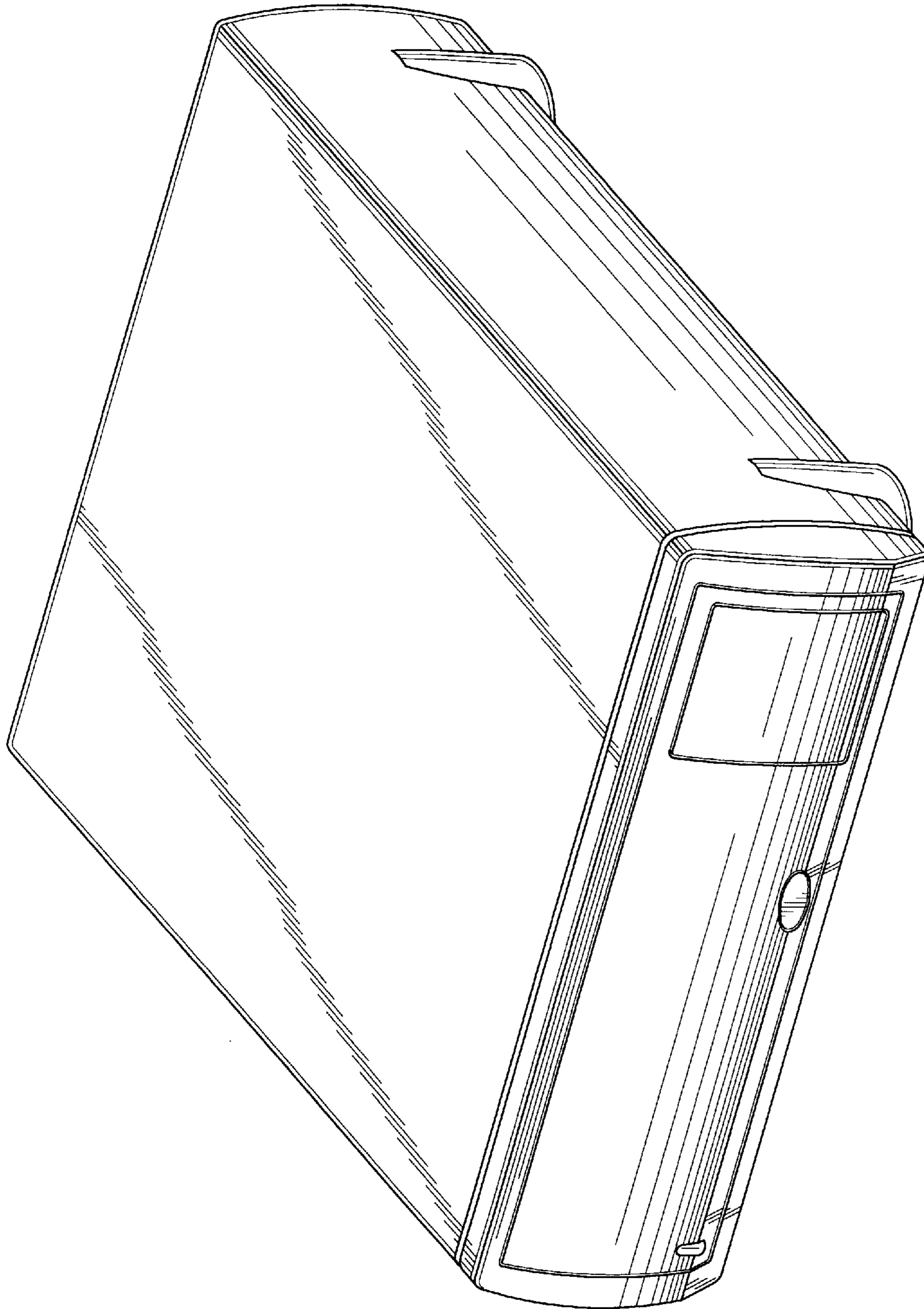


FIG. 1

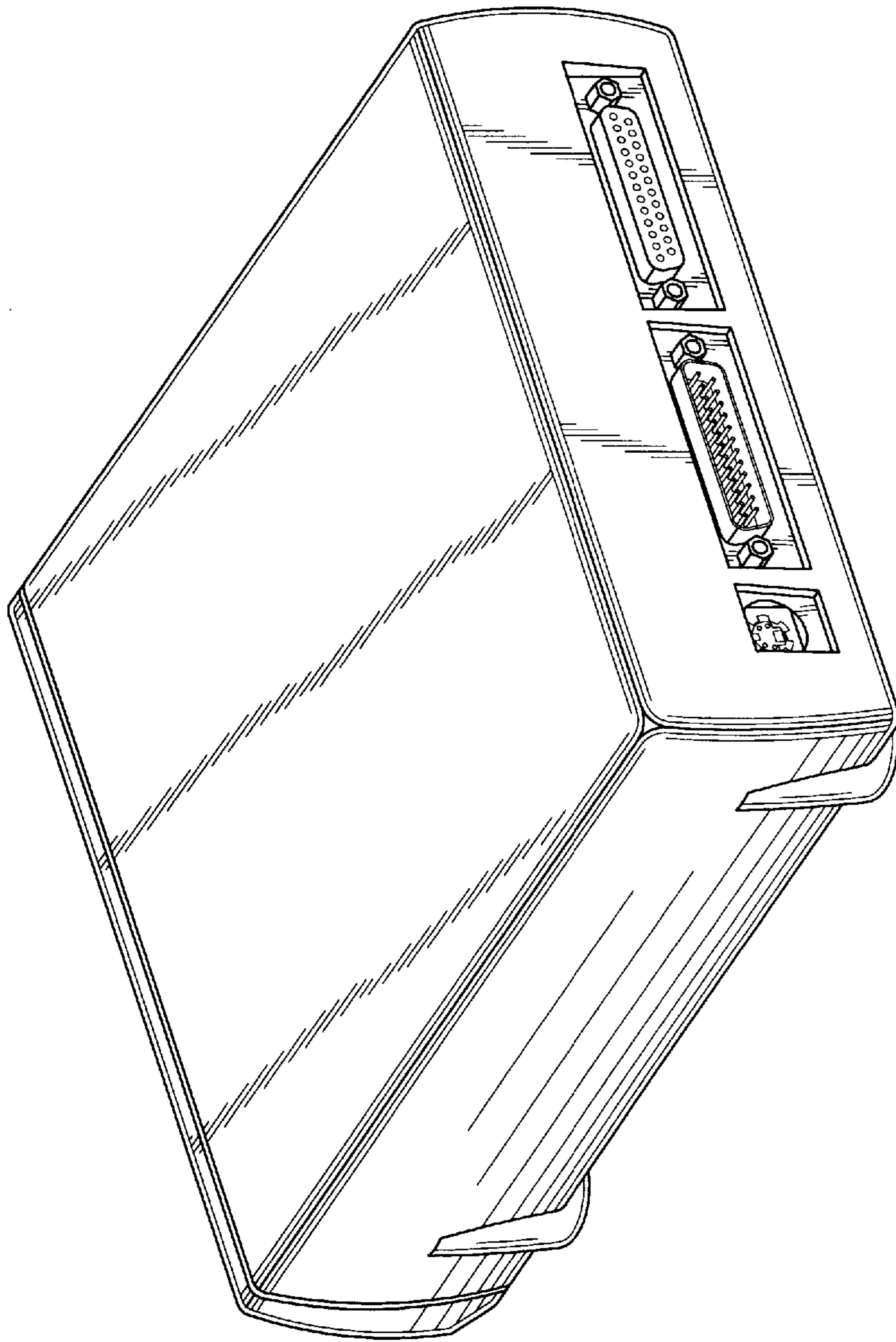


FIG. 2

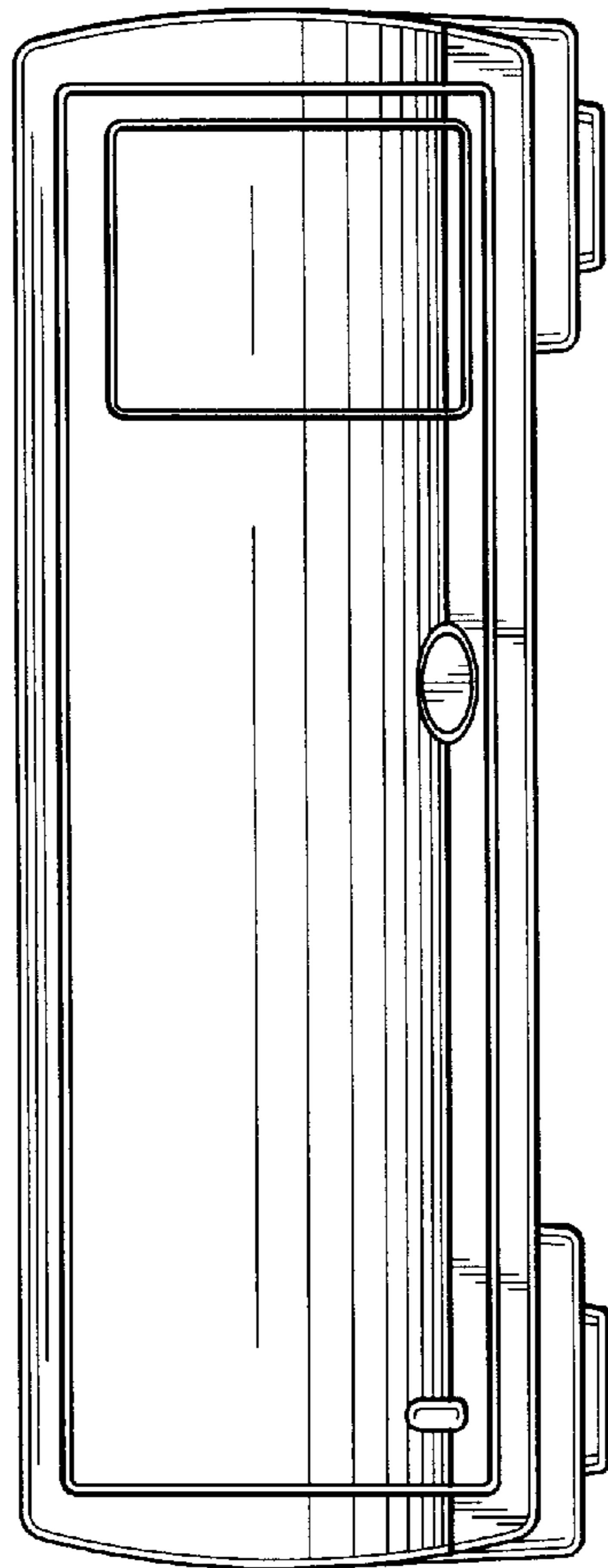


FIG. 3

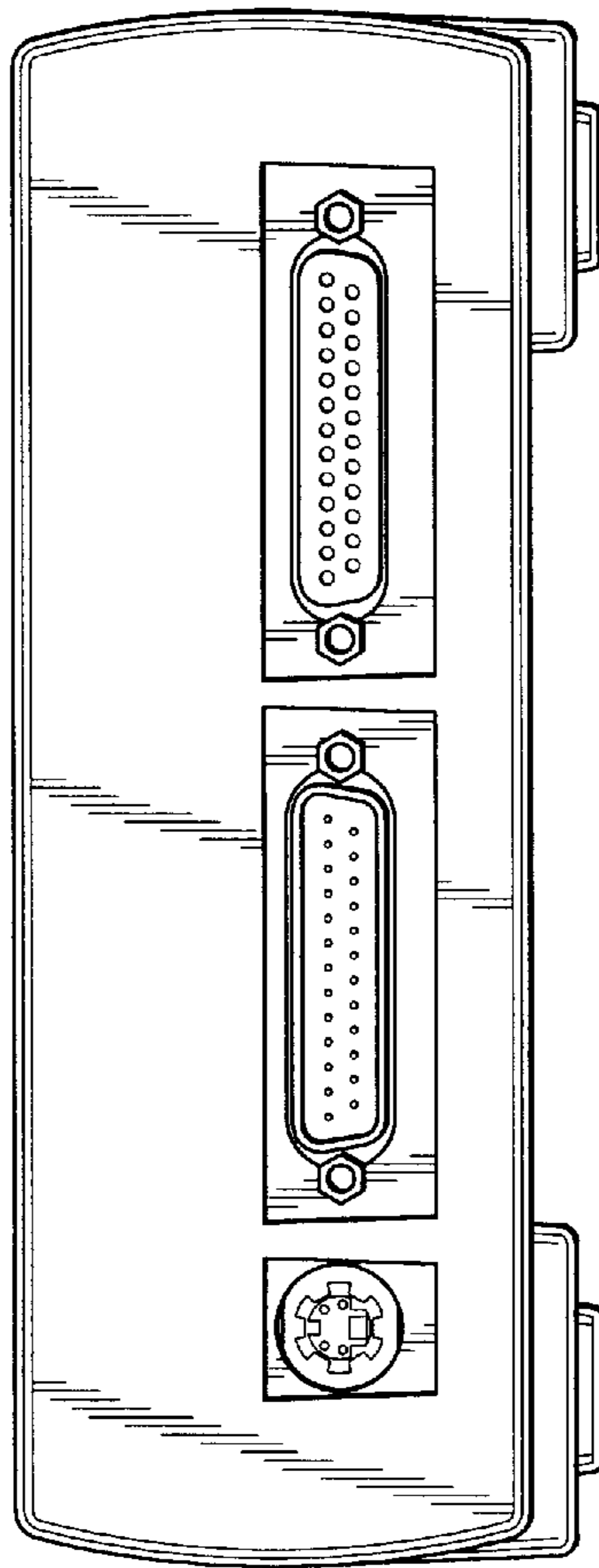


FIG. 4

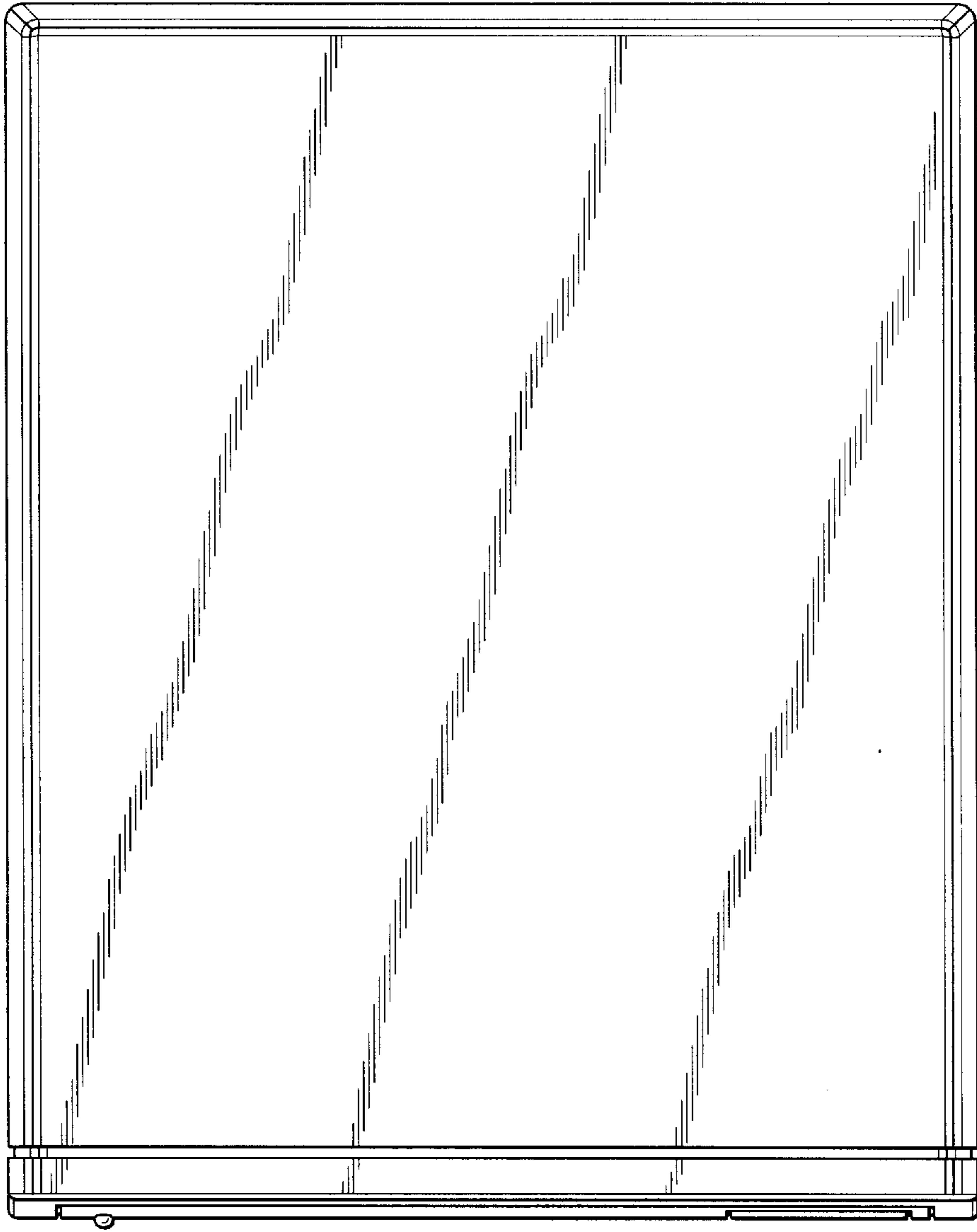


FIG. 5

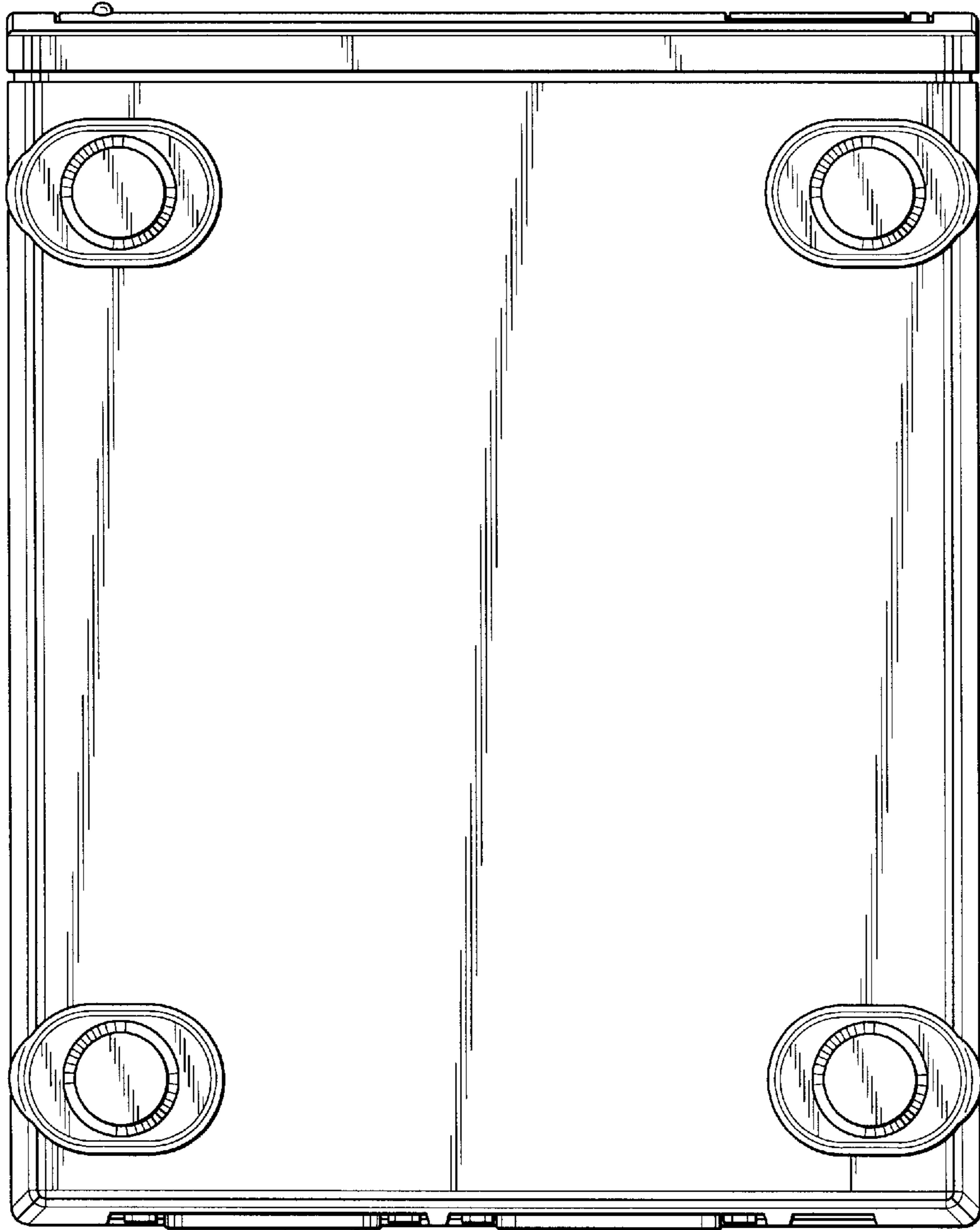


FIG. 6

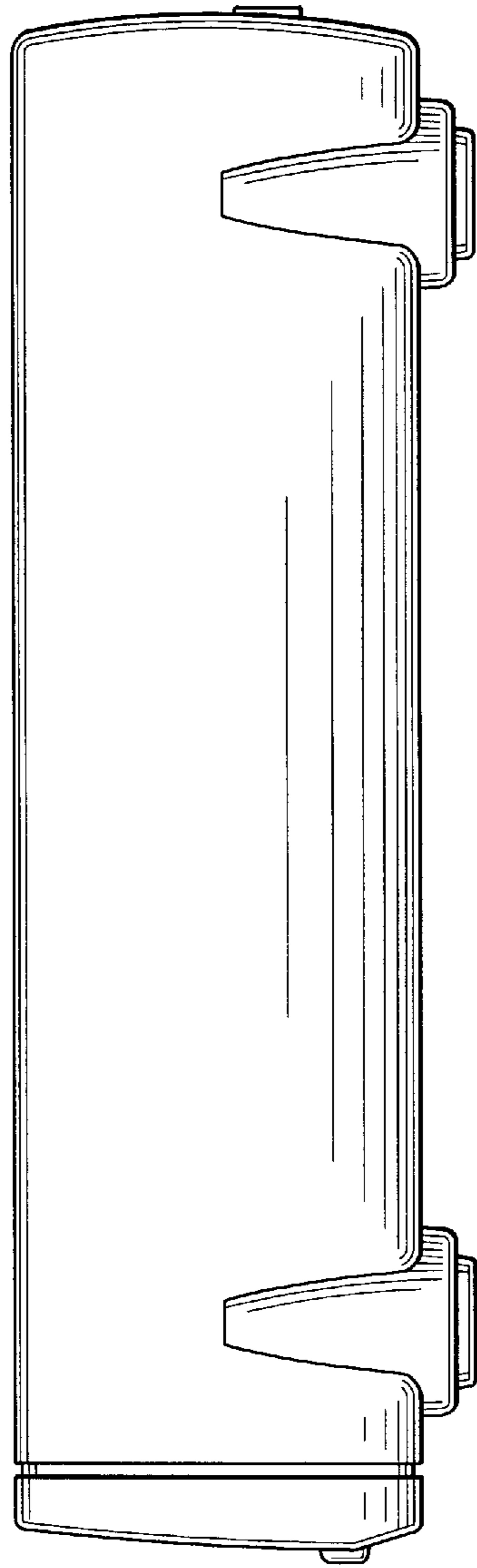


FIG. 7

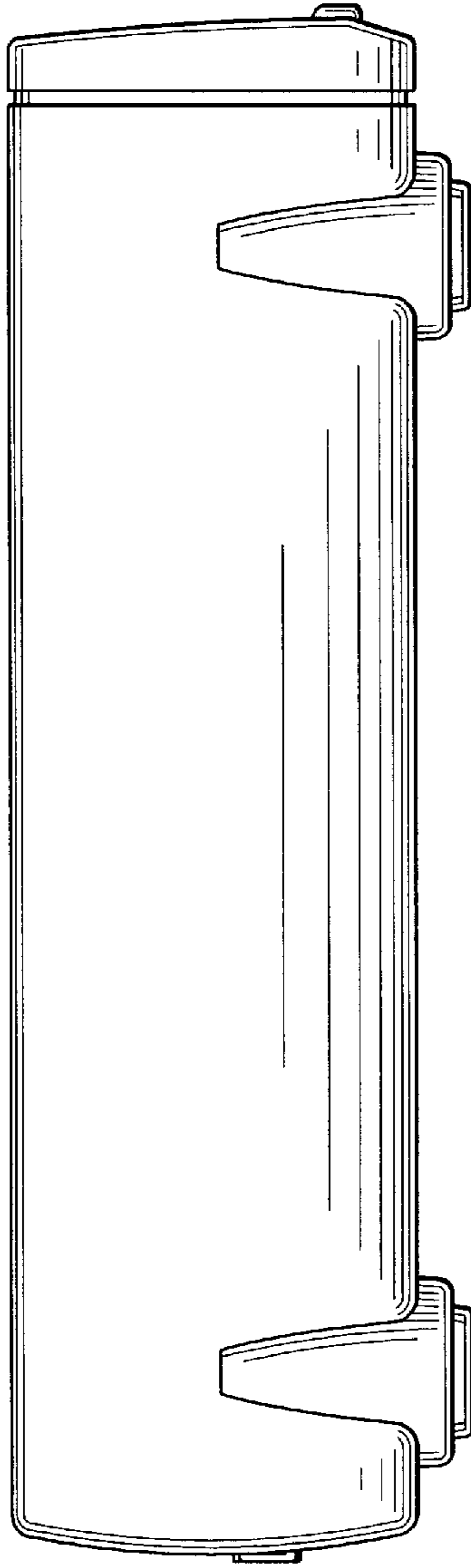


FIG. 8

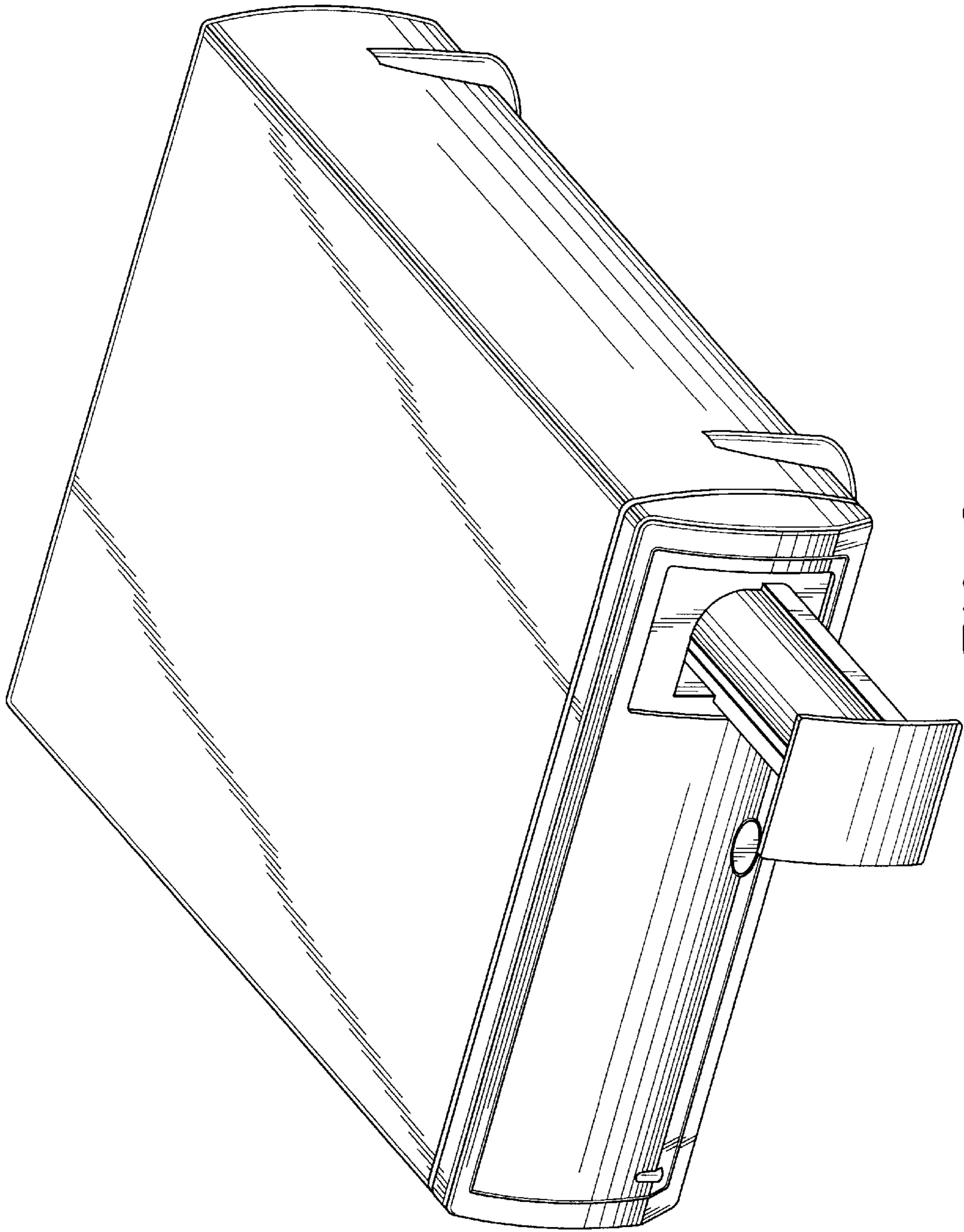


FIG. 9