



US00D405098S

United States Patent [19]

[11] **Patent Number: Des. 405,098**

Andrews et al.

[45] **Date of Patent: **Feb. 2, 1999**

[54] **LINK**

[75] Inventors: **Charles David Andrews**, Loudon;
Gordon Edward Miller, Lenoir City,
both of Tenn.; **Larry A. Sliker**, Hewitt,
N.J.; **Donald Rodney Flatau**, Oak
Ridge, Tenn.

[73] Assignee: **Deere & Company**, Moline, Ill.

[**] Term: **14 Years**

[21] Appl. No.: **80,968**

[22] Filed: **Oct. 17, 1997**

[51] **LOC (6) Cl.** **15-04**

[52] **U.S. Cl.** **D15/28**

[58] **Field of Search** D15/10, 22-26,
D15/28, 33; 180/89.1, 89.12, 900; 414/680,
685, 686

[56] **References Cited**

U.S. PATENT DOCUMENTS

D. 322,792 12/1991 Park D15/25

(List continued on next page.)

Primary Examiner—Sandra L. Morris

[57] **CLAIM**

The ornamental design for a link, as shown and described.

DESCRIPTION

FIG. 1 is an elevated rear perspective view of a link showing a first embodiment of our new design, the broken line showing of the vehicle and tool being for illustrative purposes only, and forms no part of the claimed design;

FIG. 2 is an enlarged rear elevated perspective view of the link design of FIG. 1;

FIG. 3 is an enlarged right side view of the link design of FIG. 1;

FIG. 4 is an enlarged bottom view of the link design of FIG. 1;

FIG. 5 is an enlarged top view of the link design of FIG. 1;

FIG. 6 is an enlarged left side view of the link design of FIG. 1;

FIG. 7 is an enlarged front view of the link design of FIG. 1;

FIG. 8 is an enlarged rear view of the link design of FIG. 1;

FIG. 9 is an enlarged top view of a link showing a second embodiment of our new design;

FIG. 10 is an enlarged left side view of the link design of FIG. 9;

FIG. 11 is an enlarged front view of the link design of FIG. 9;

FIG. 12 is an enlarged rear view of the link design of FIG. 9;

FIG. 13 is an enlarged right side view of the link design of FIG. 9;

FIG. 14 is an enlarged bottom side view of the link design of FIG. 9;

FIG. 15 is an enlarged top view of a link showing a third embodiment of our new design;

FIG. 16 is an enlarged left side view of the link design of FIG. 15;

FIG. 17 is an enlarged front view of the link design of FIG. 15;

FIG. 18 is an enlarged rear view of the link design of FIG. 15;

FIG. 19 is an enlarged right side view of the link design of FIG. 15;

FIG. 20 is an enlarged bottom side view of the link design of FIG. 15;

FIG. 21 is an enlarged top view of a link showing a fourth embodiment of our new design;

FIG. 22 is an enlarged left side view of the link design of FIG. 21;

FIG. 23 is an enlarged front view of the link design of FIG. 21;

FIG. 24 is an enlarged rear view of the link design of FIG. 21;

FIG. 25 is an enlarged right side view of the link design of FIG. 21;

FIG. 26 is an enlarged bottom side view of the link design of FIG. 21;

FIG. 27 is an enlarged top view of a link showing a fifth embodiment of our new design;

FIG. 28 is an enlarged left side view of the link design of FIG. 27;

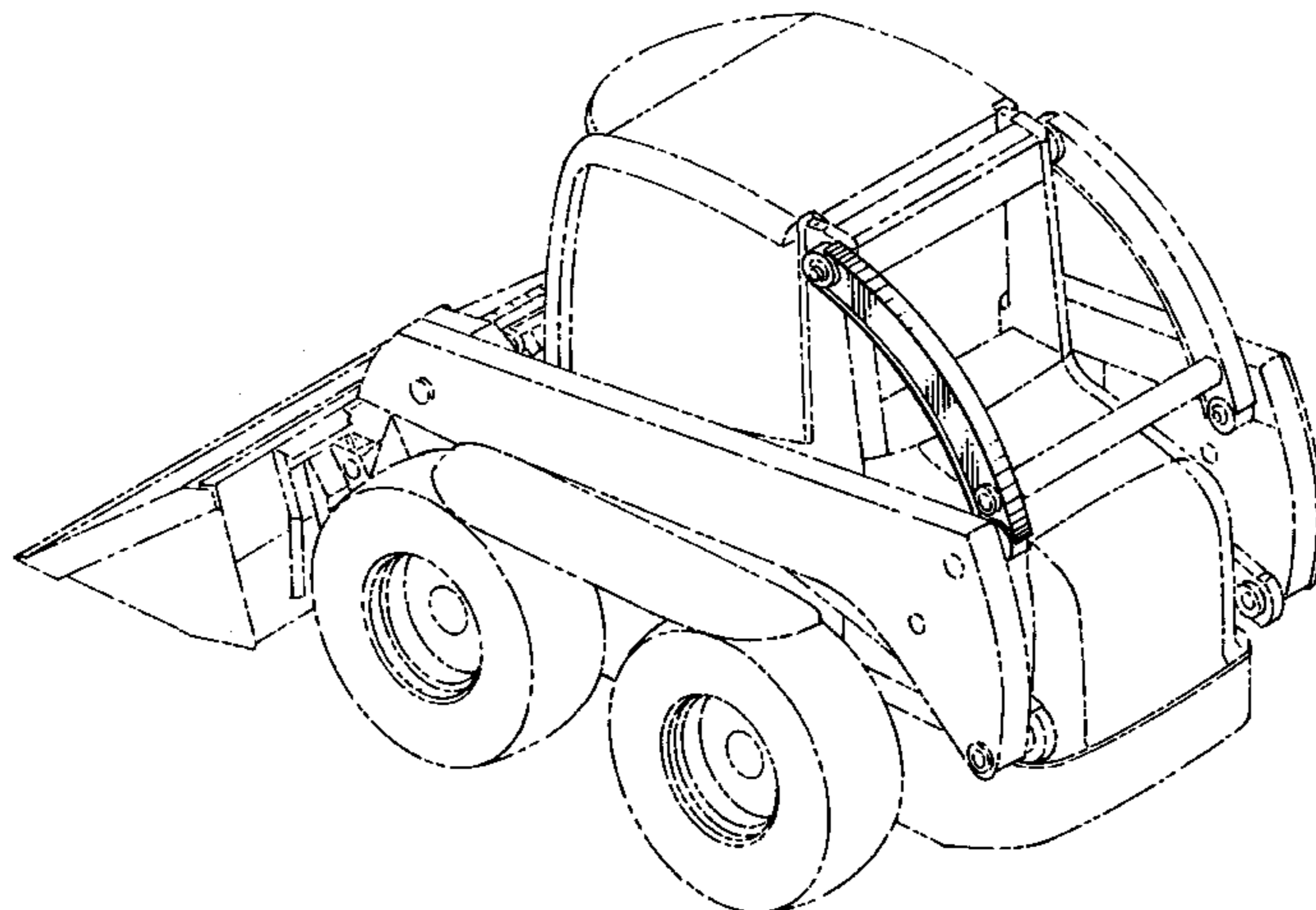
FIG. 29 is an enlarged front view of the link design of FIG. 27;

FIG. 30 is an enlarged rear view of the link design of FIG. 27;

FIG. 31 is an enlarged right side view of the link design of FIG. 27; and,

FIG. 32 is an enlarged bottom side view of the link design of FIG. 27.

1 Claim, 7 Drawing Sheets



Des. 405,098

Page 2

| U.S. PATENT DOCUMENTS | | | | | |
|-----------------------|---------|-----------|---------|----------------------|----------|
| | | 4,280,784 | 7/1981 | Ramacciotti | 414/722 |
| | | 5,169,278 | 12/1992 | Hoechst et al. | 414/685 |
| D. 376,372 | 12/1996 | 5,240,366 | 8/1993 | Bamford | 414/686 |
| | | 5,542,814 | 8/1996 | Ashcroft et al. | 414/786 |
| 3,831,690 | 8/1974 | 5,609,464 | 3/1997 | Moffitt et al. | 414/685 |
| | | | | Yamaoka et al. | 180/6.66 |

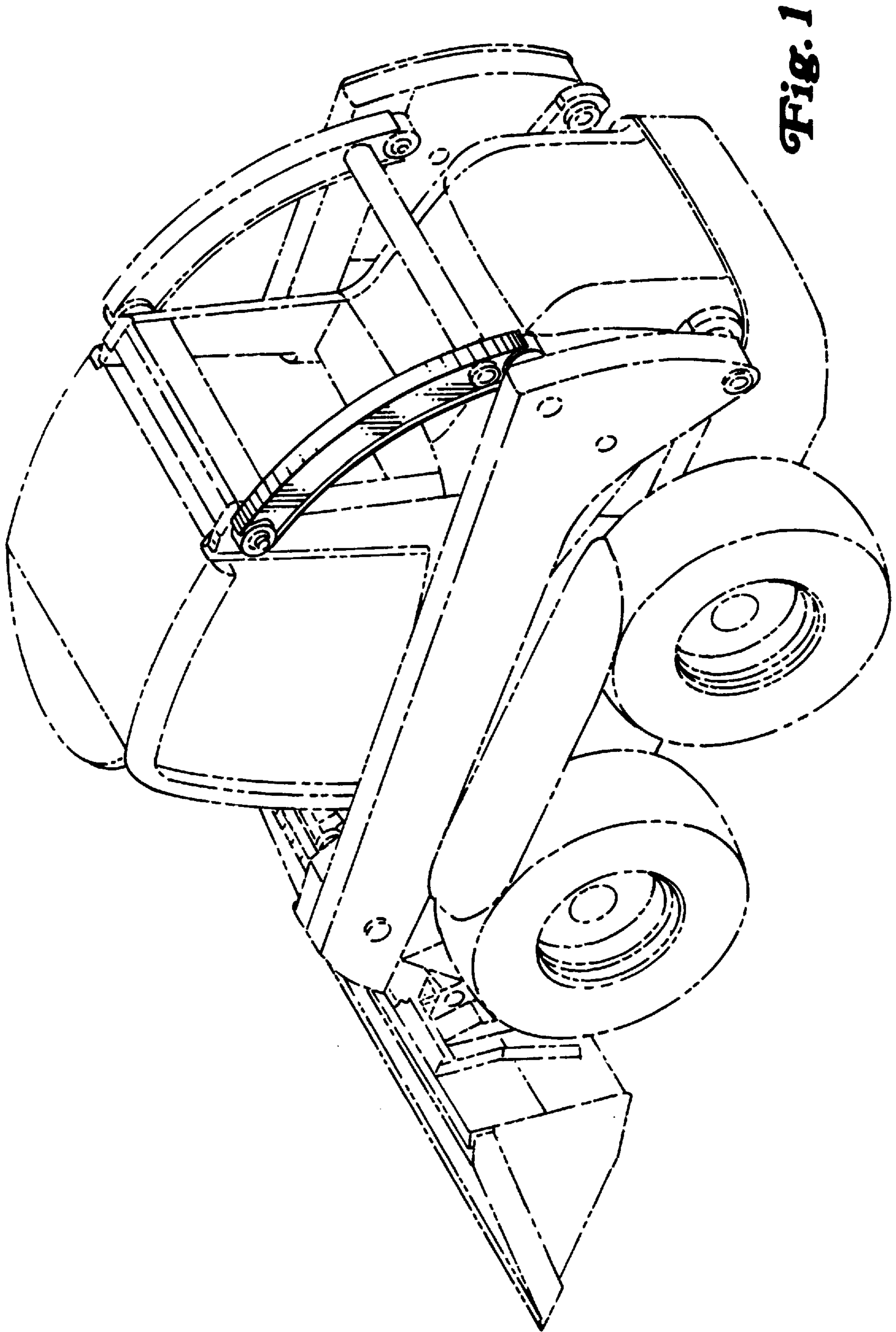


Fig. 1

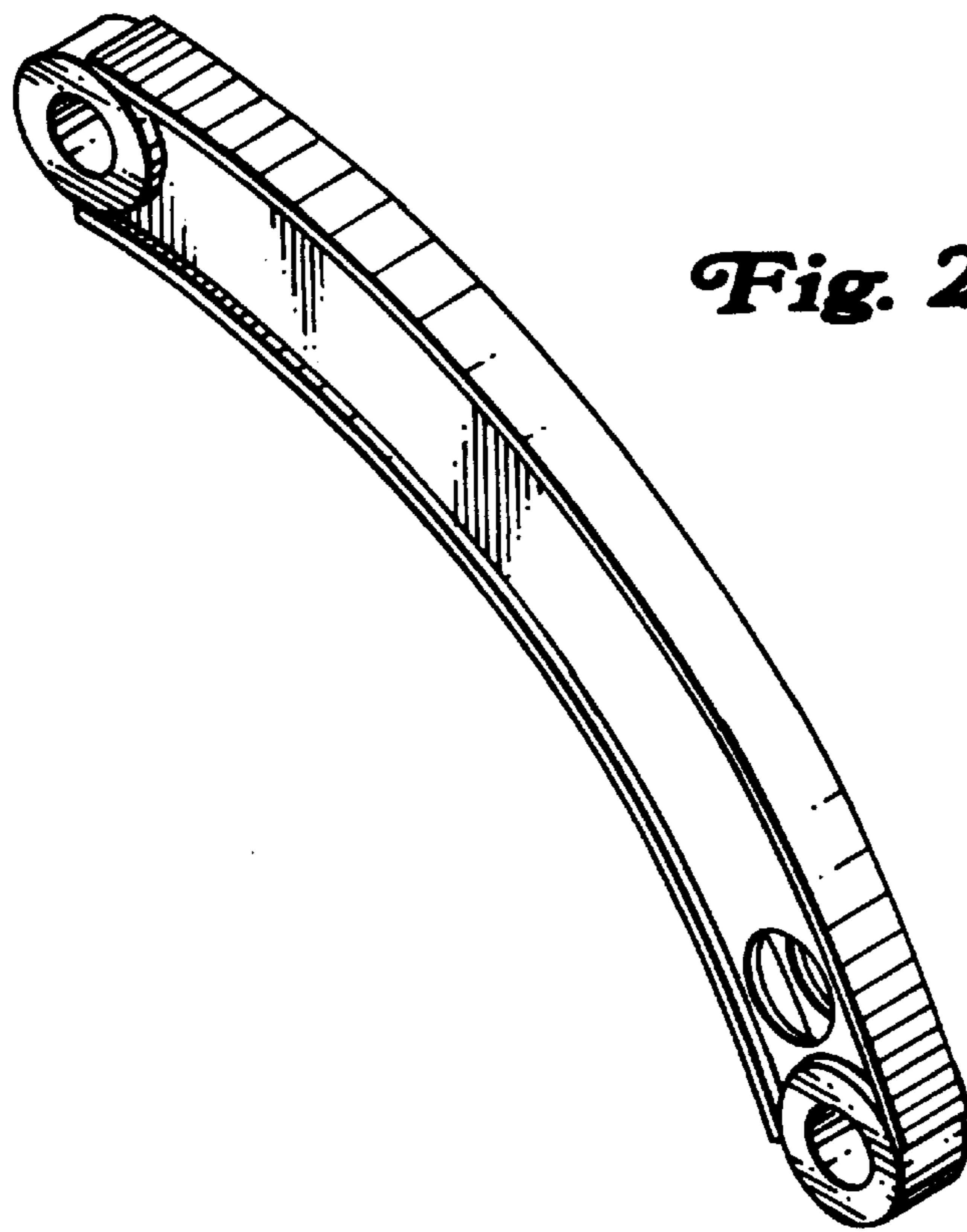


Fig. 2

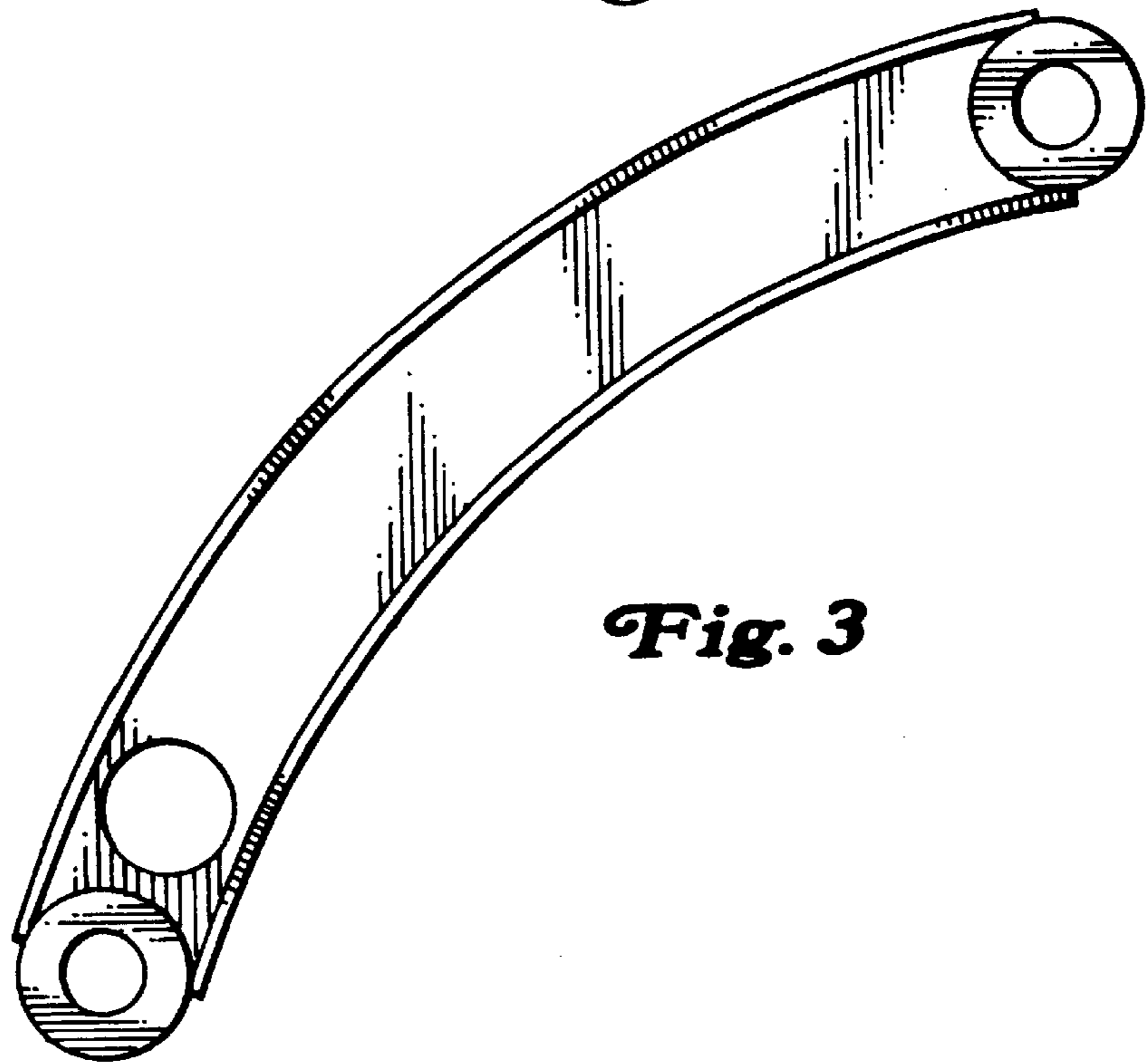


Fig. 3

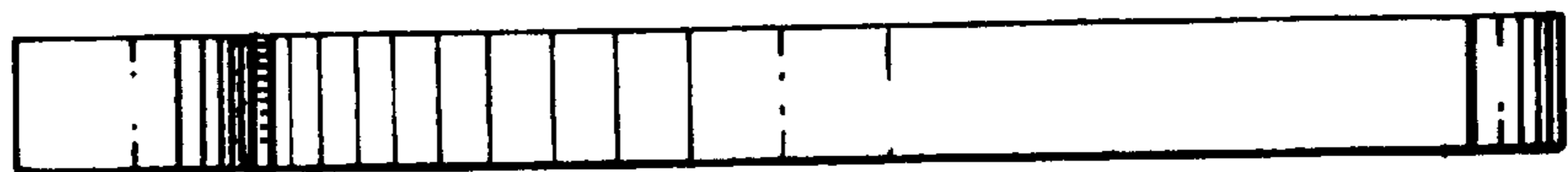


Fig. 4

Fig. 5



Fig. 8

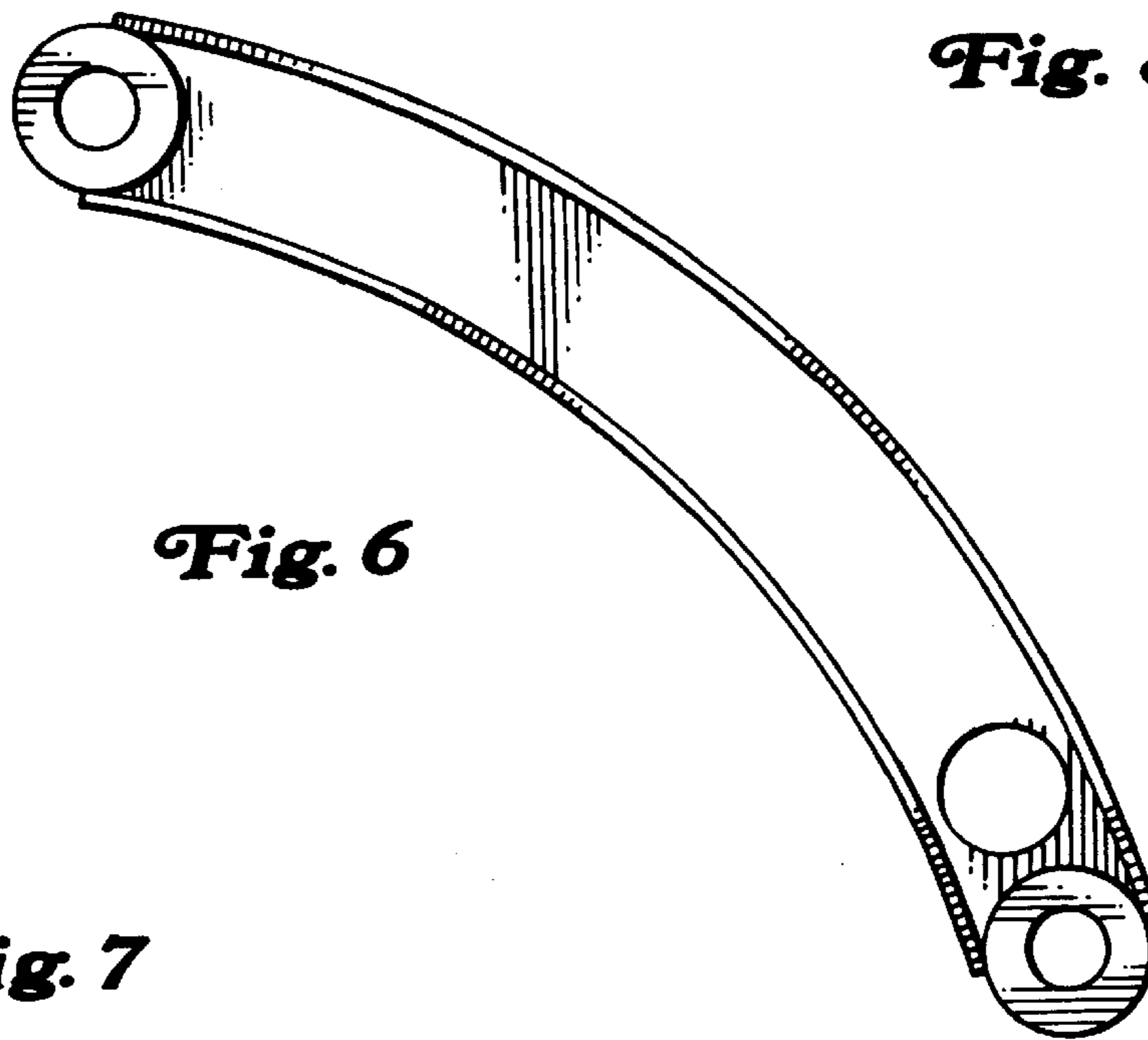


Fig. 6

Fig. 7

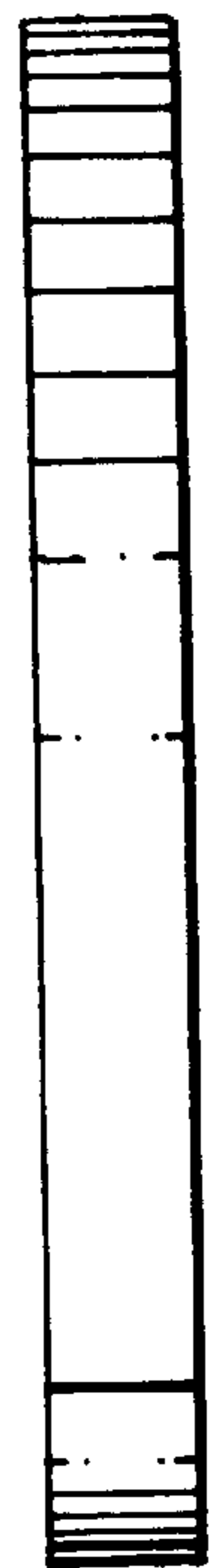
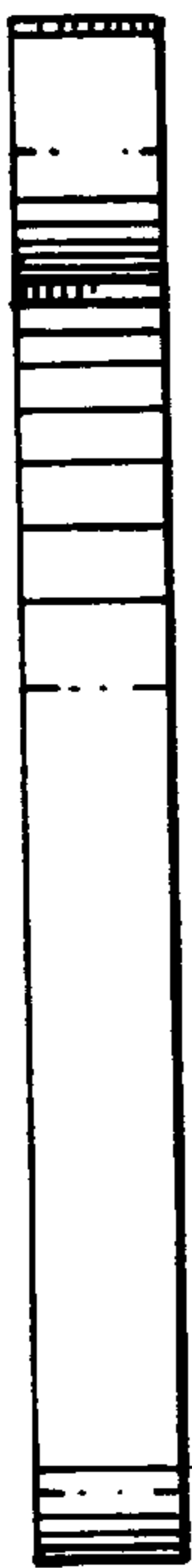


Fig. 9

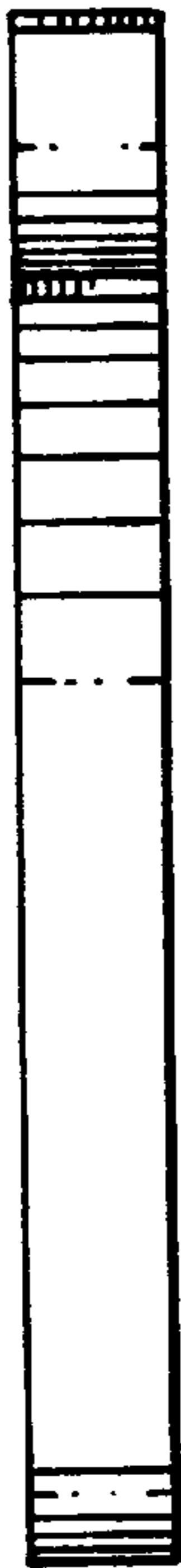


Fig. 11

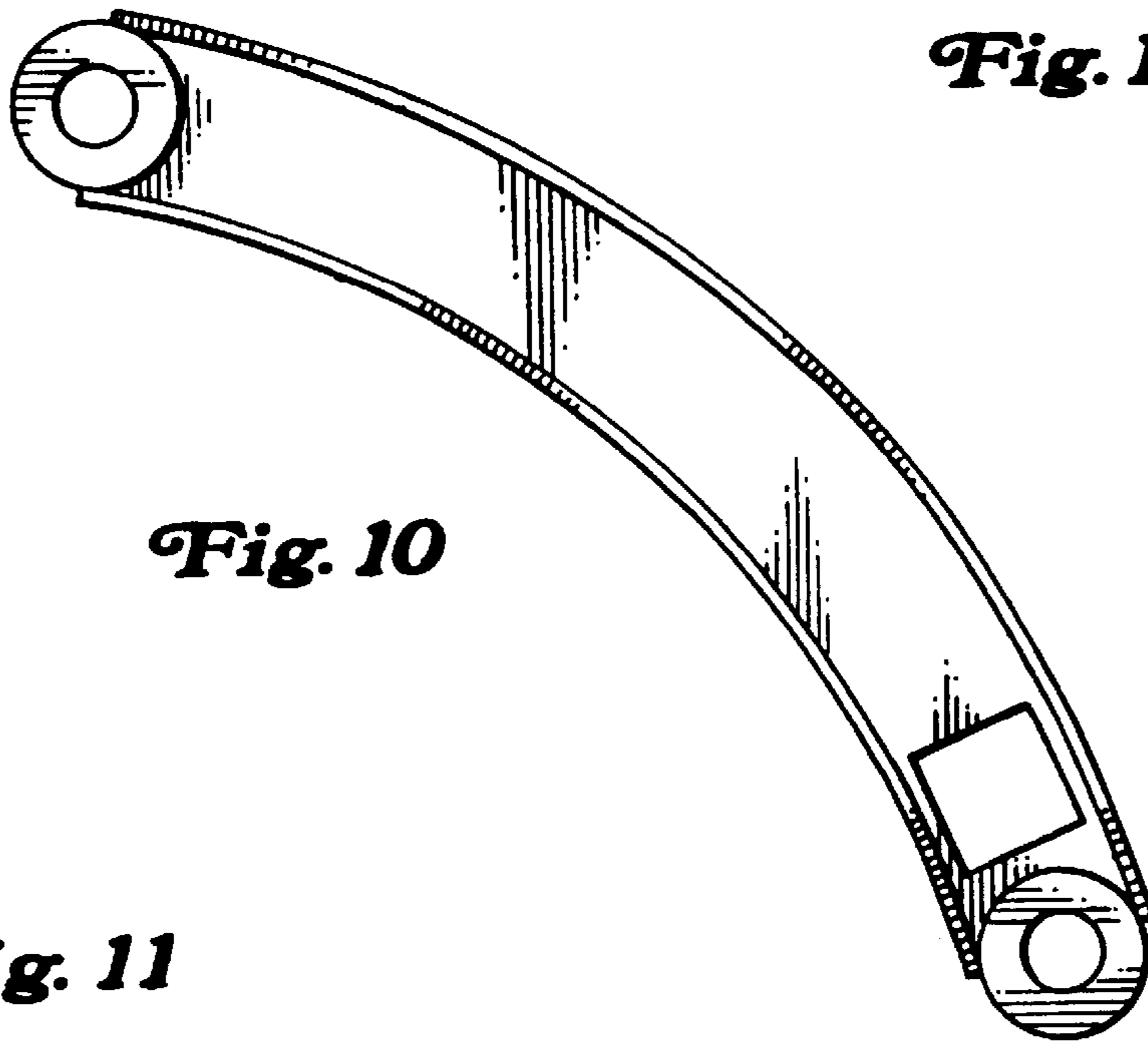


Fig. 10

Fig. 12

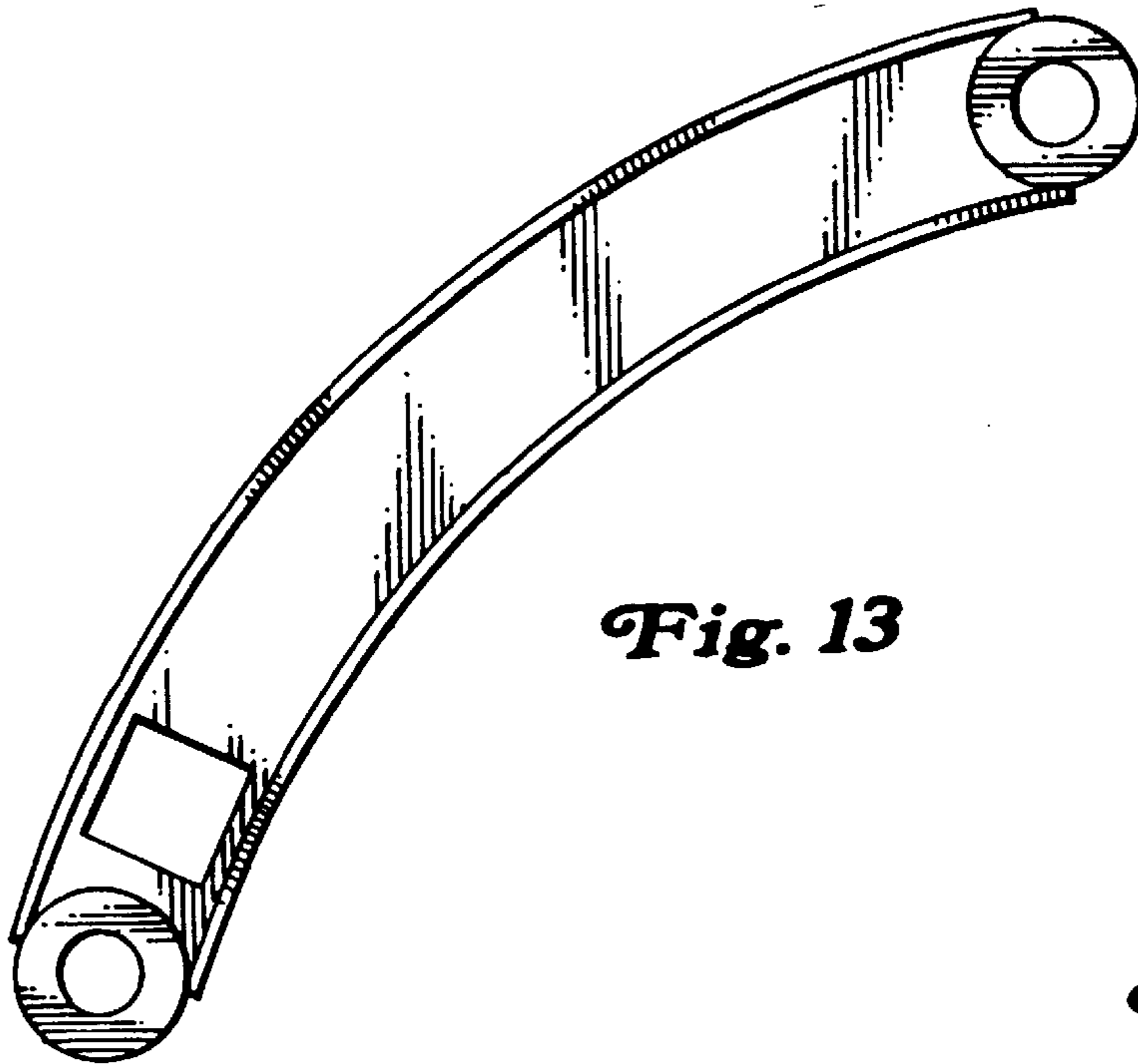
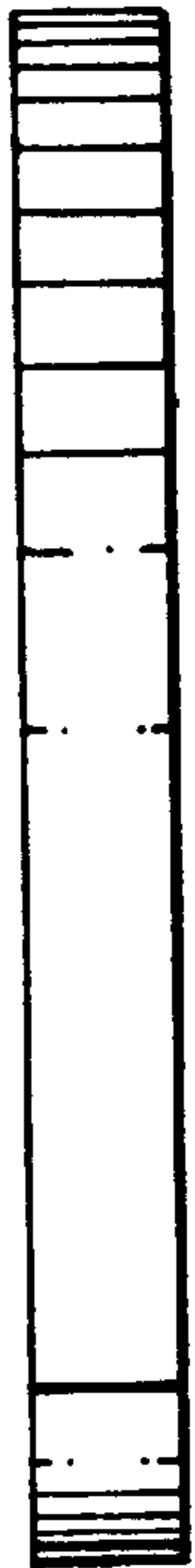


Fig. 13

Fig. 14

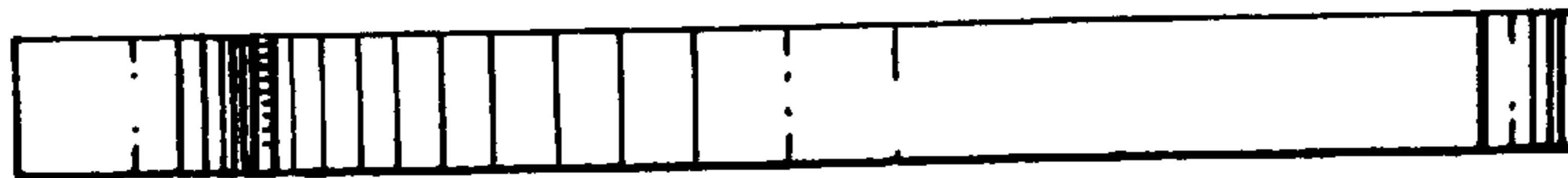


Fig. 15

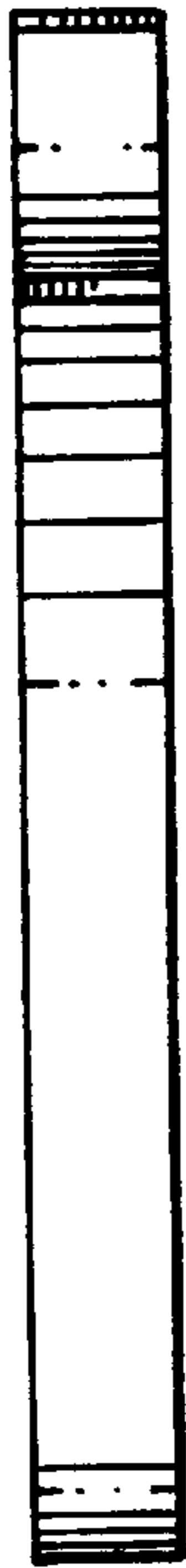


Fig. 17

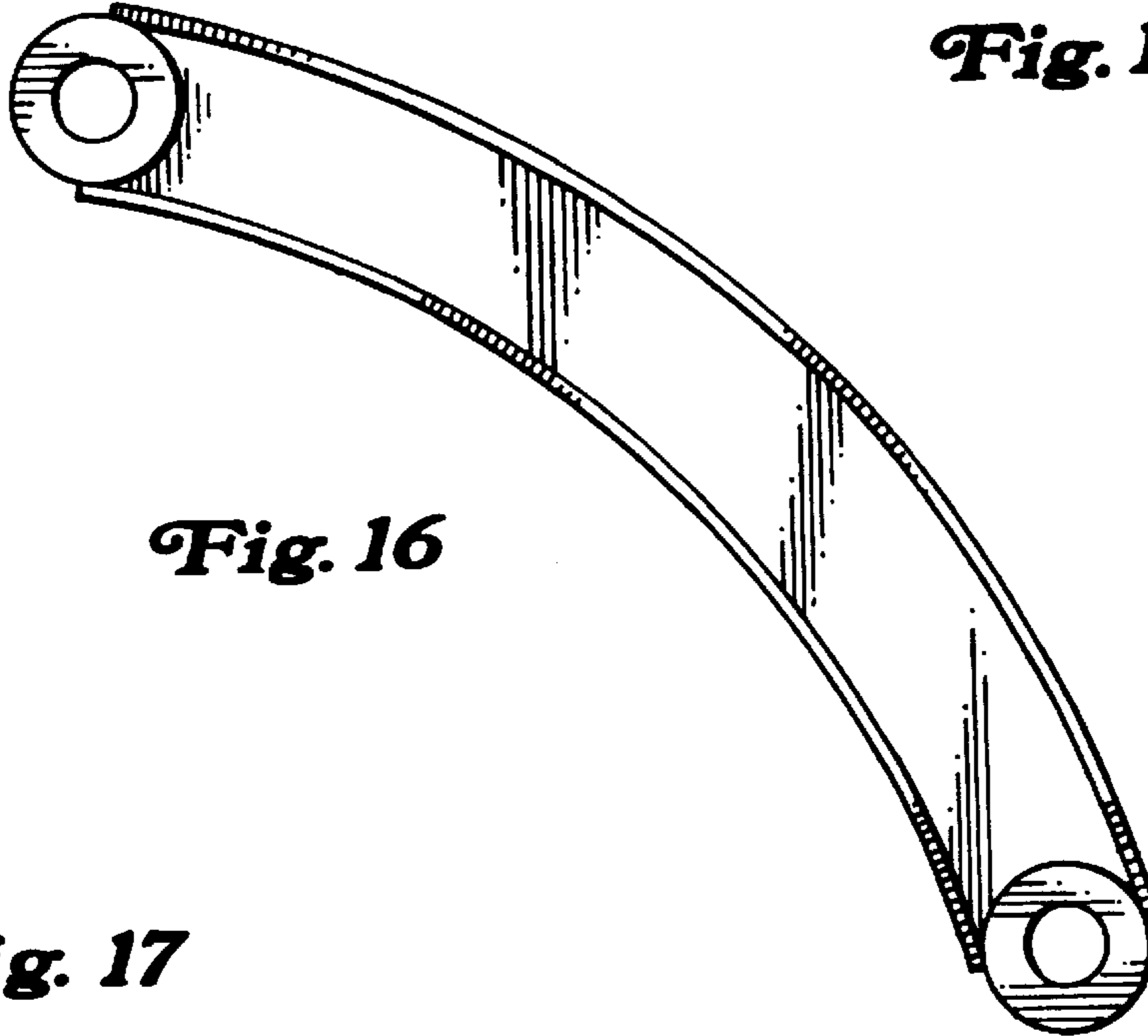


Fig. 16

Fig. 18

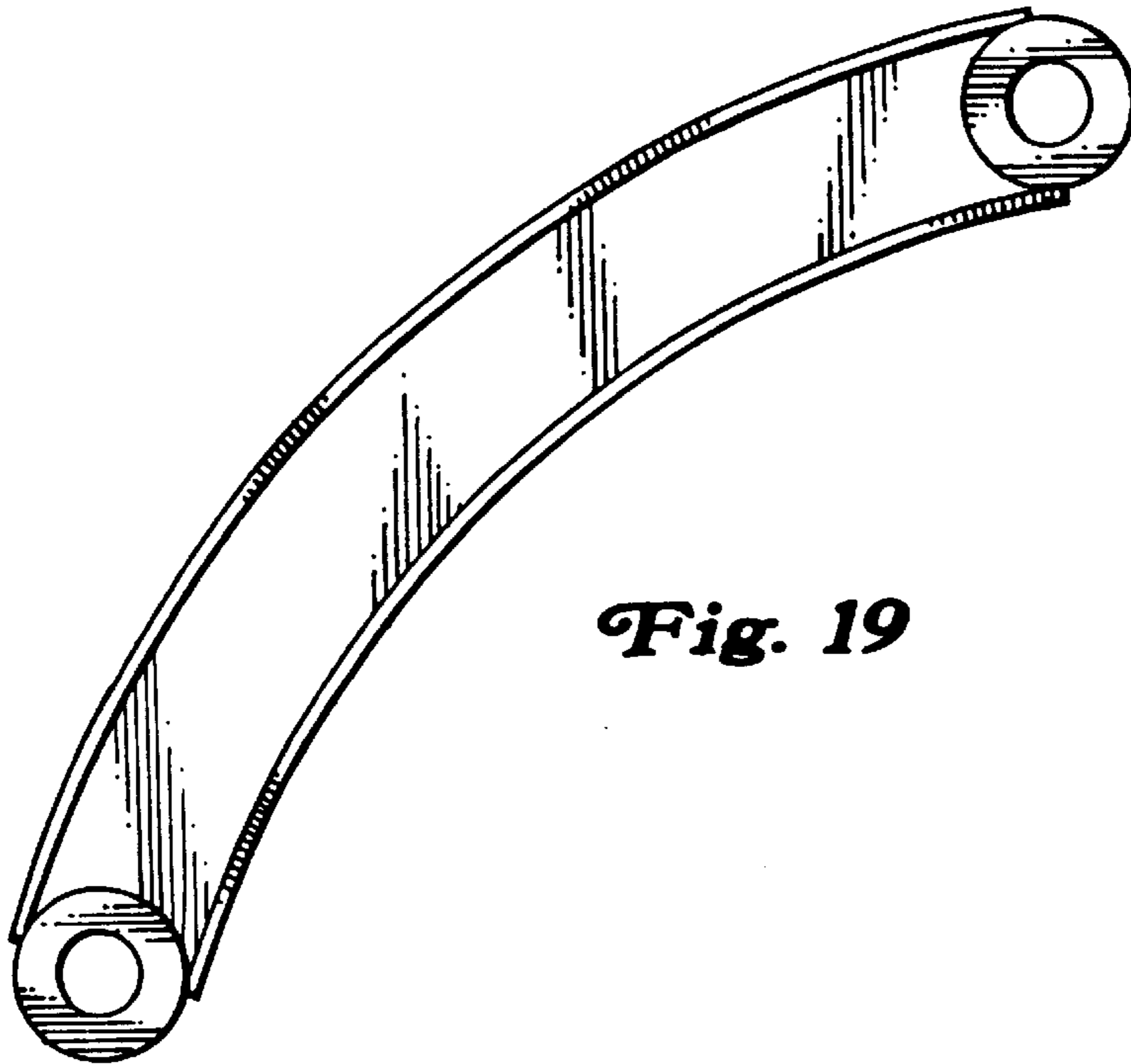
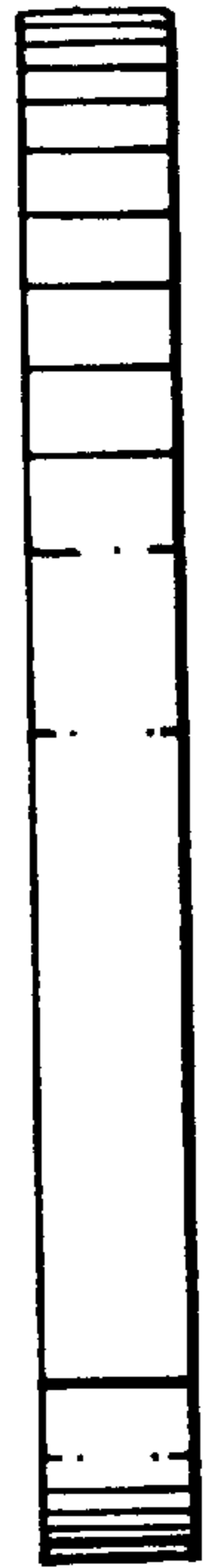


Fig. 19

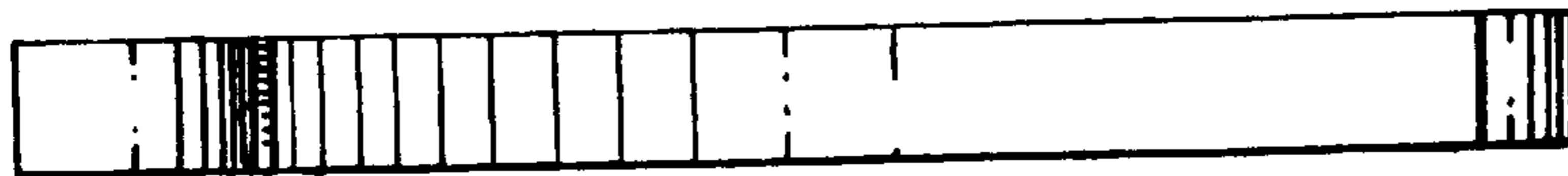


Fig. 20

Fig. 21

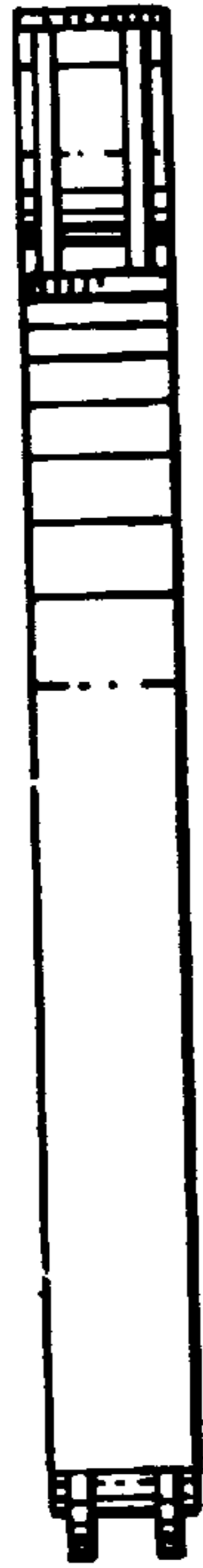
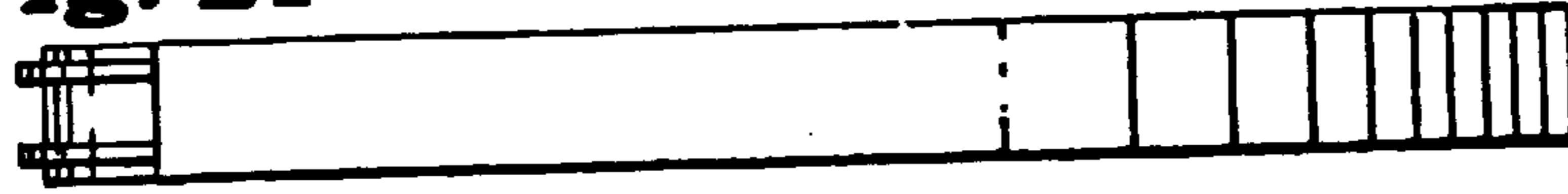


Fig. 23

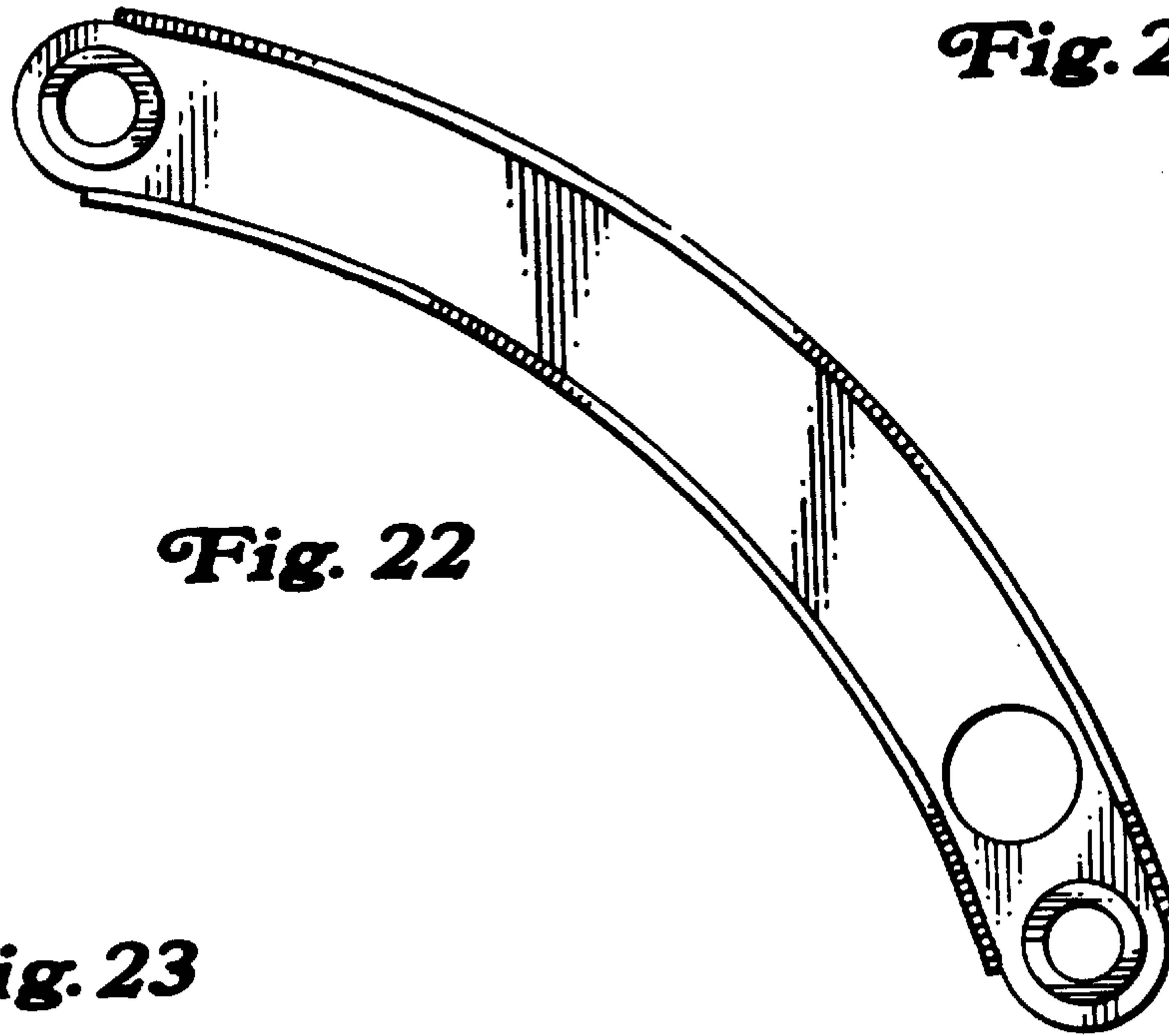


Fig. 22

Fig. 24

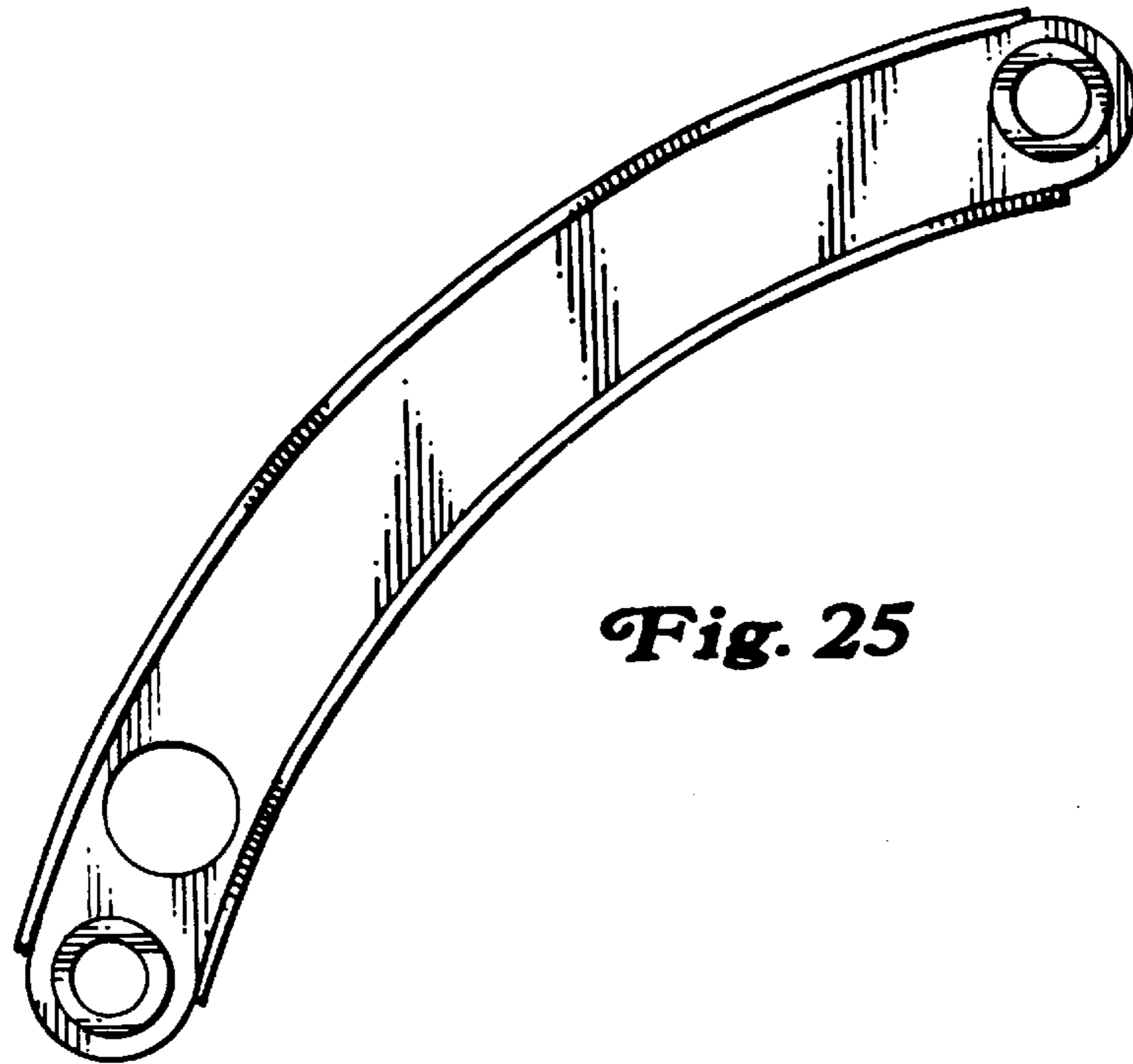
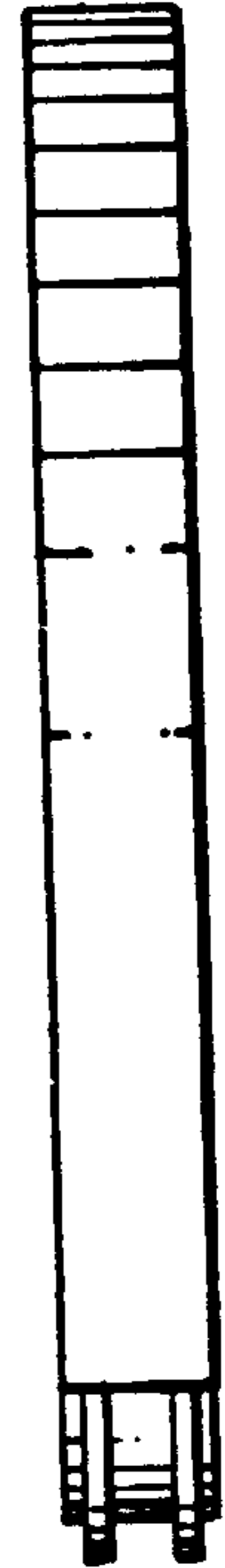


Fig. 25

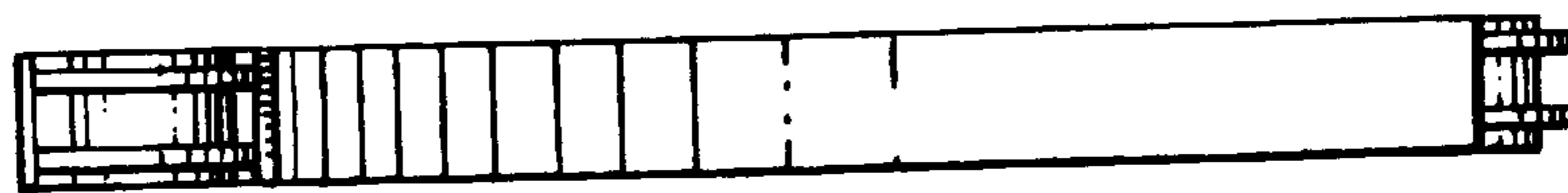


Fig. 26

Fig. 27

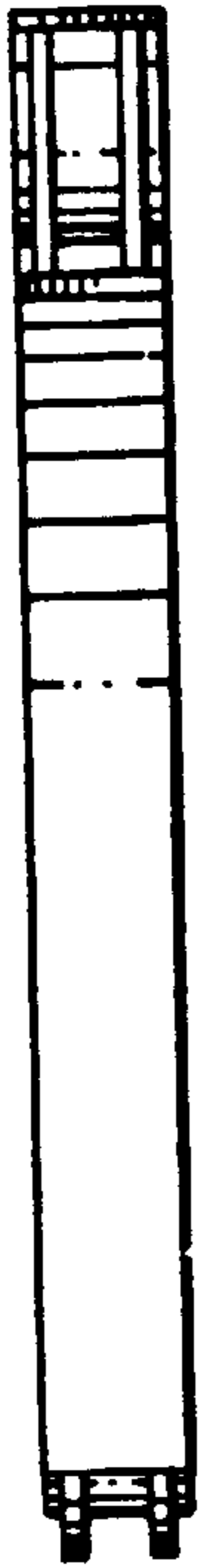
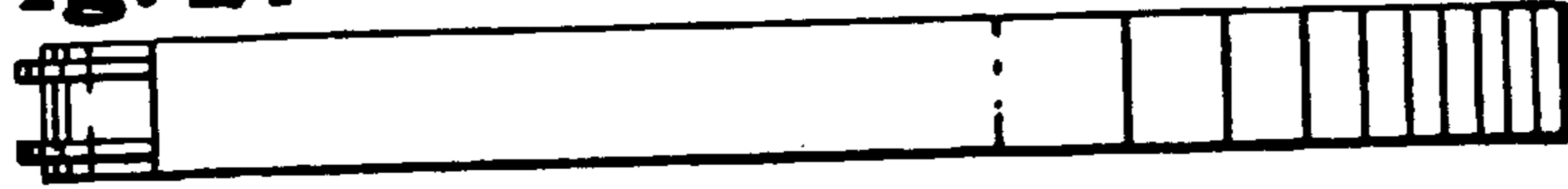


Fig. 29

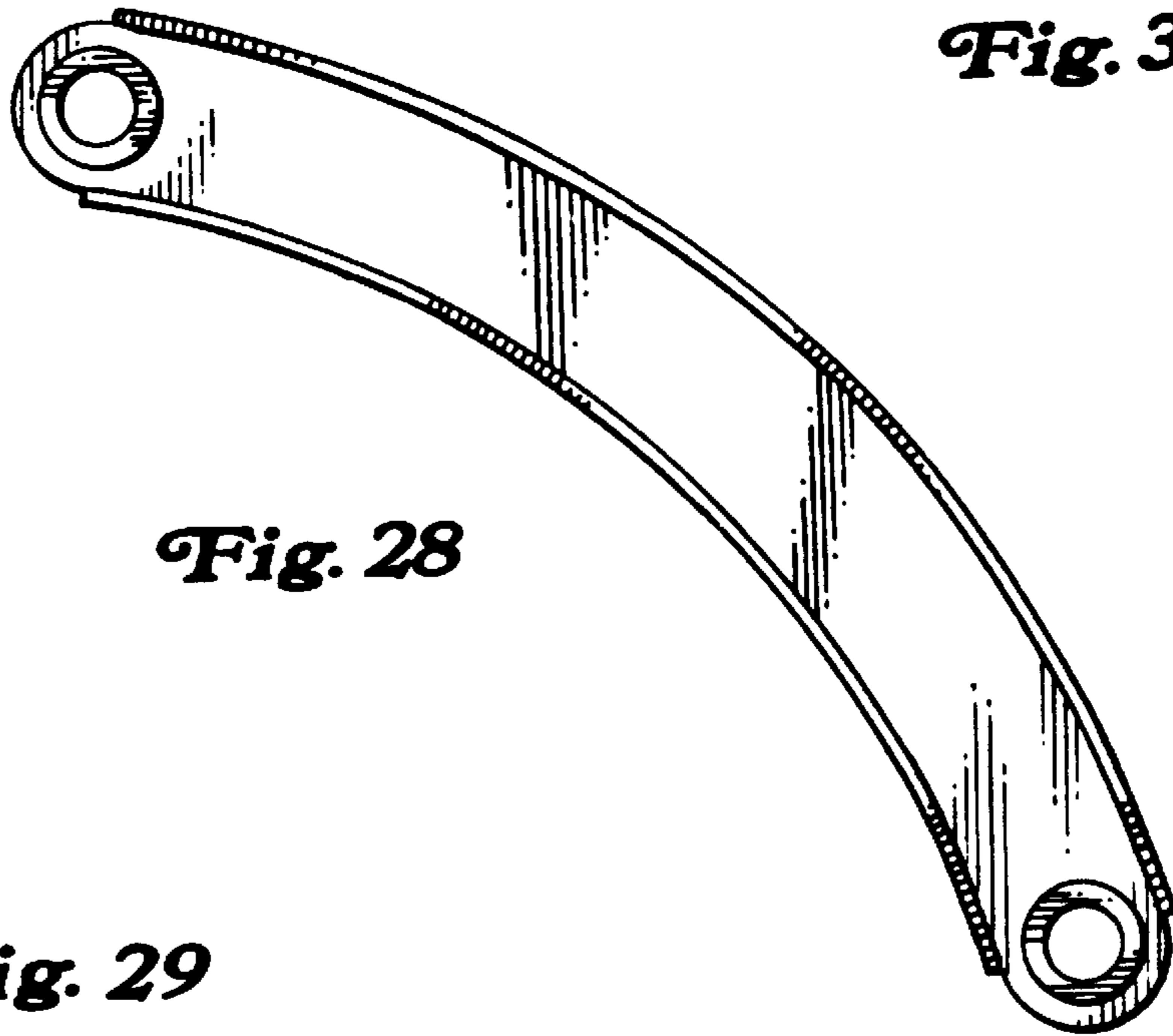


Fig. 28

Fig. 30

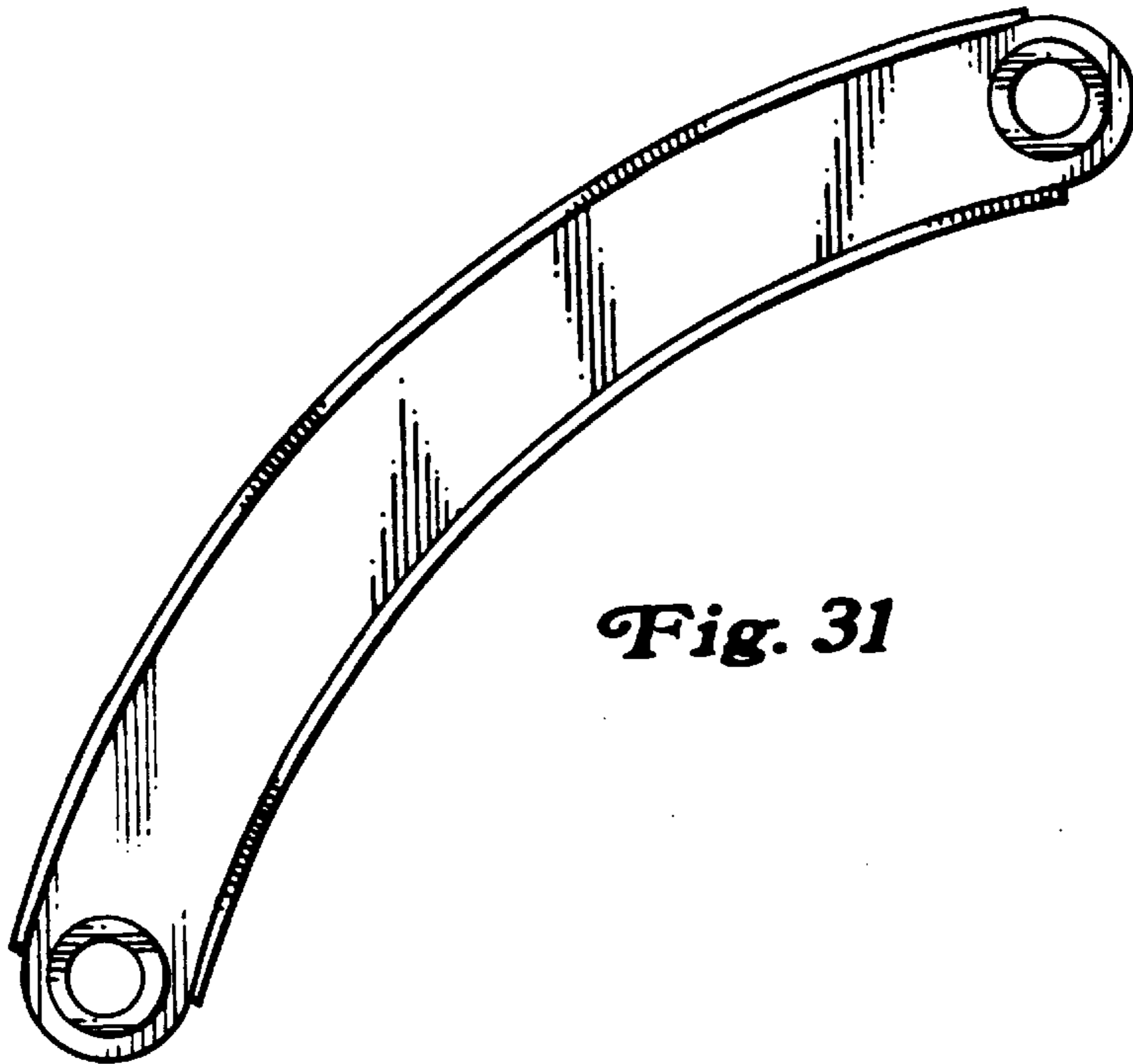
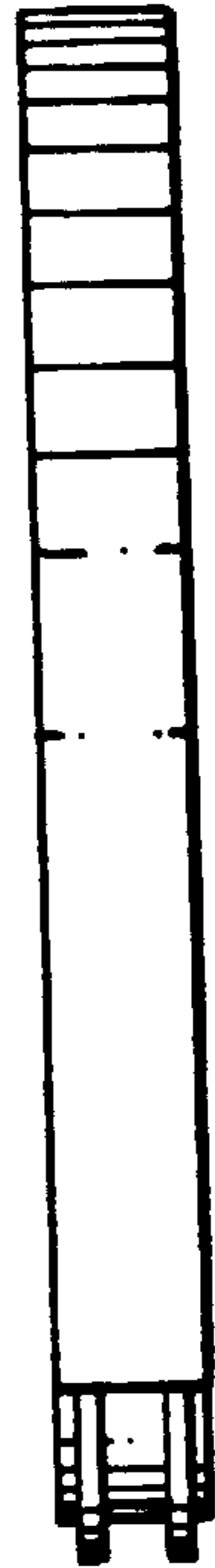


Fig. 31

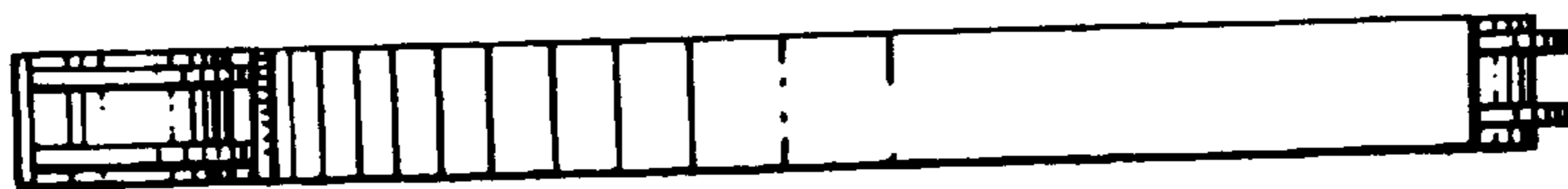


Fig. 32