



US00D405091S

United States Patent [19] Guttadauro

[11] **Patent Number: Des. 405,091**

[45] **Date of Patent: **Feb. 2, 1999**

[54] **ANTENNA COVER**

[76] **Inventor: David A. Guttadauro, 365 Salem St., Wakefield, Mass. 01880**

[**] **Term: 14 Years**

[21] **Appl. No.: 68,357**

[22] **Filed: Apr. 7, 1997**

[51] **LOC (6) Cl. 14-03**

[52] **U.S. Cl. D14/230**

[58] **Field of Search D14/230-238, D14/299; D6/610-611, 332; 52/222, 149; 150/154-155, 901, 158; 254/222-223; 343/704, 720, 781 R, 840-842, 824, 851, 866, 872-873, 907-908; 58/138**

[56] **References Cited**

U.S. PATENT DOCUMENTS

- D. 308,972 7/1990 Moriyama et al. D14/234
- D. 318,673 7/1991 Terk D14/230
- D. 329,240 9/1992 Cooper D14/230

- D. 344,731 3/1994 Witzky D14/204
- D. 347,437 5/1994 Brehmer et al. D14/230
- D. 350,963 9/1994 Witzky D14/230
- D. 354,060 1/1995 Witzky D14/230
- D. 356,313 3/1995 Mann et al. D14/230
- D. 356,572 3/1995 Prince D14/230
- D. 379,356 5/1997 Liu et al. D14/230
- 3,228,030 1/1966 Moore 343/746

*Primary Examiner—Ruth McInroy
Attorney, Agent, or Firm—Wolf, Greenfield & Sacks, P.C.*

[57] **CLAIM**

The ornamental design for an antenna cover, as shown and described.

DESCRIPTION

FIG. 1 is a side, elevational view of an antenna cover showing my new design;
FIG. 2 is a side, elevational view of another side thereof;
FIG. 3 is a top plan view thereof;
FIG. 4 is a bottom plan view thereof; and,
FIG. 5 is a side, elevational view of another side thereof.

1 Claim, 2 Drawing Sheets

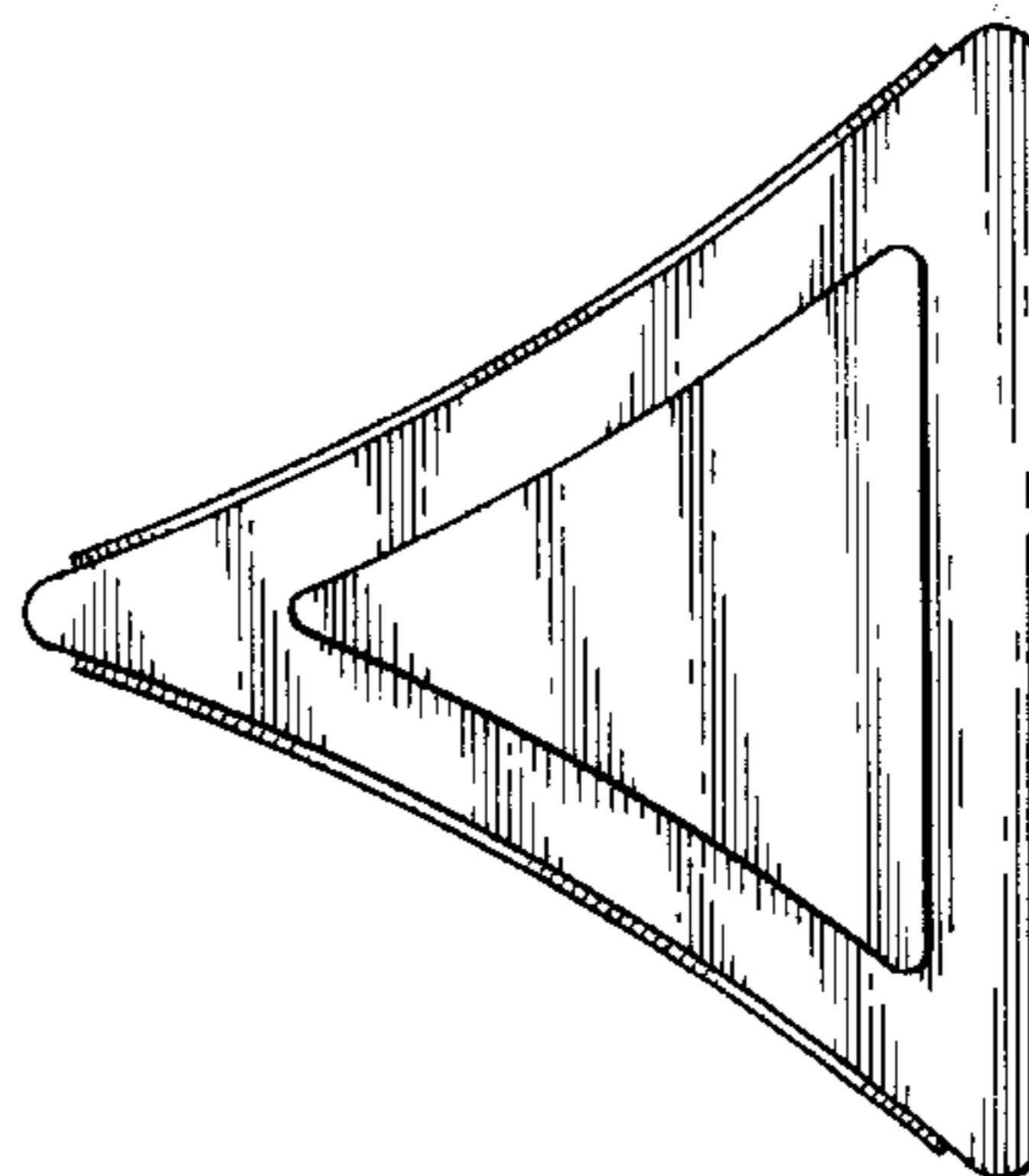
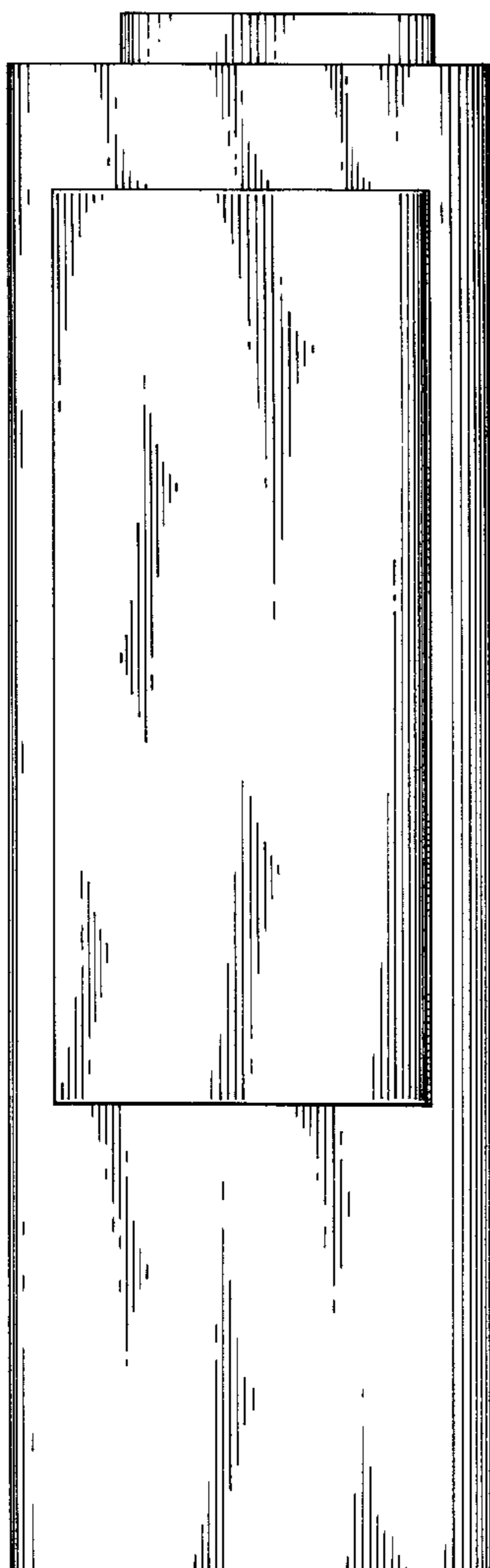




FIG. 1

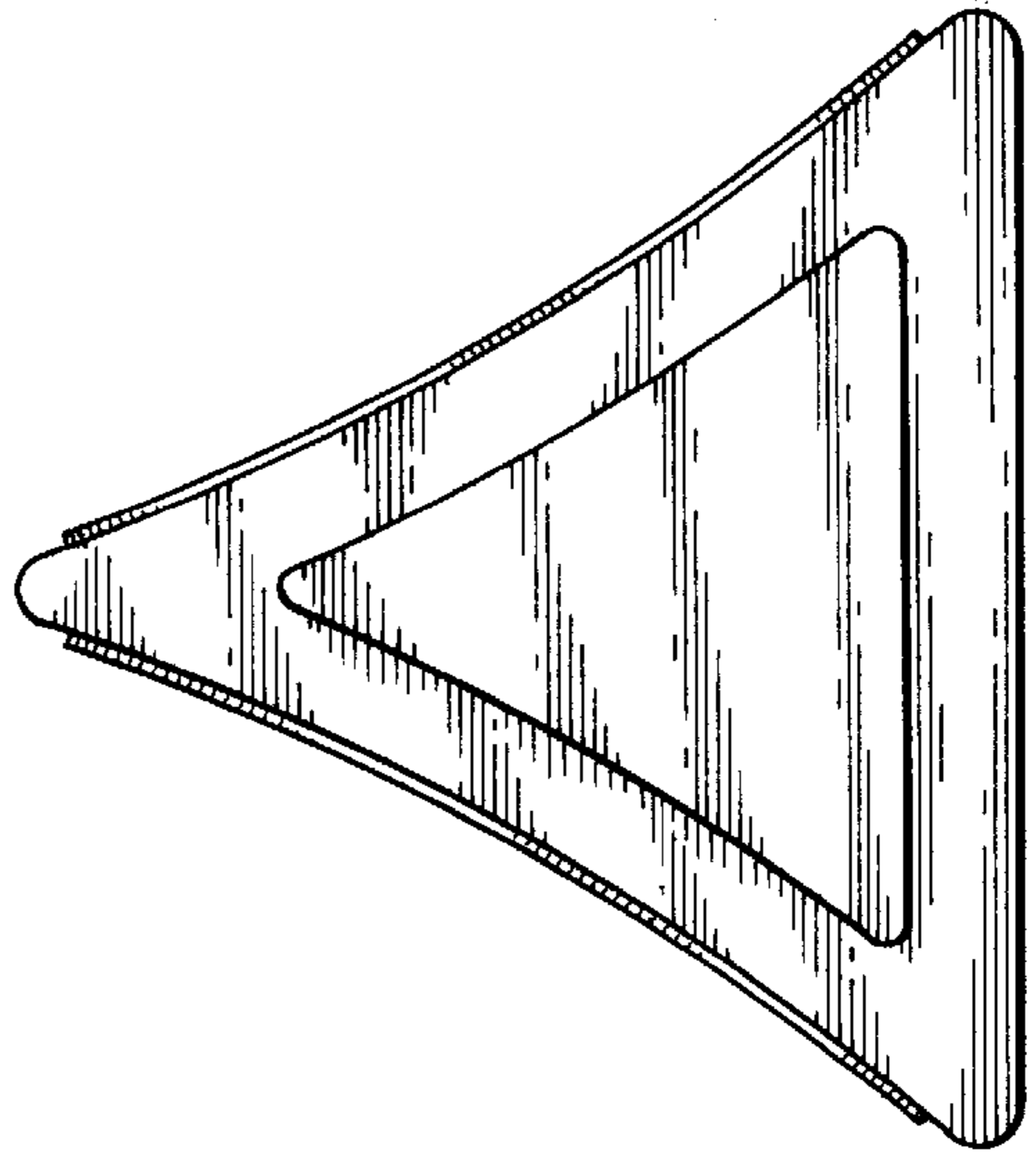


FIG. 3

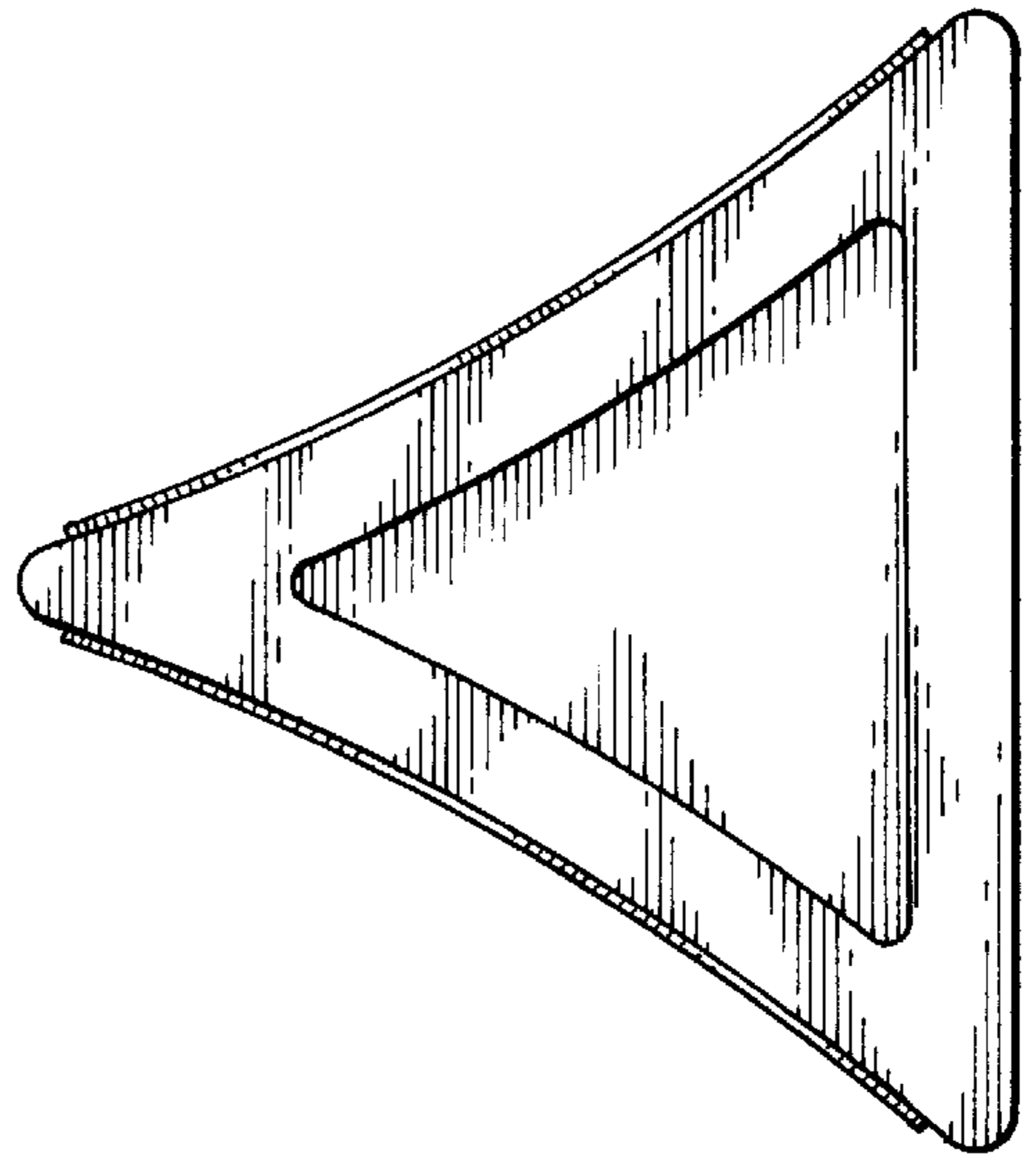


FIG. 4

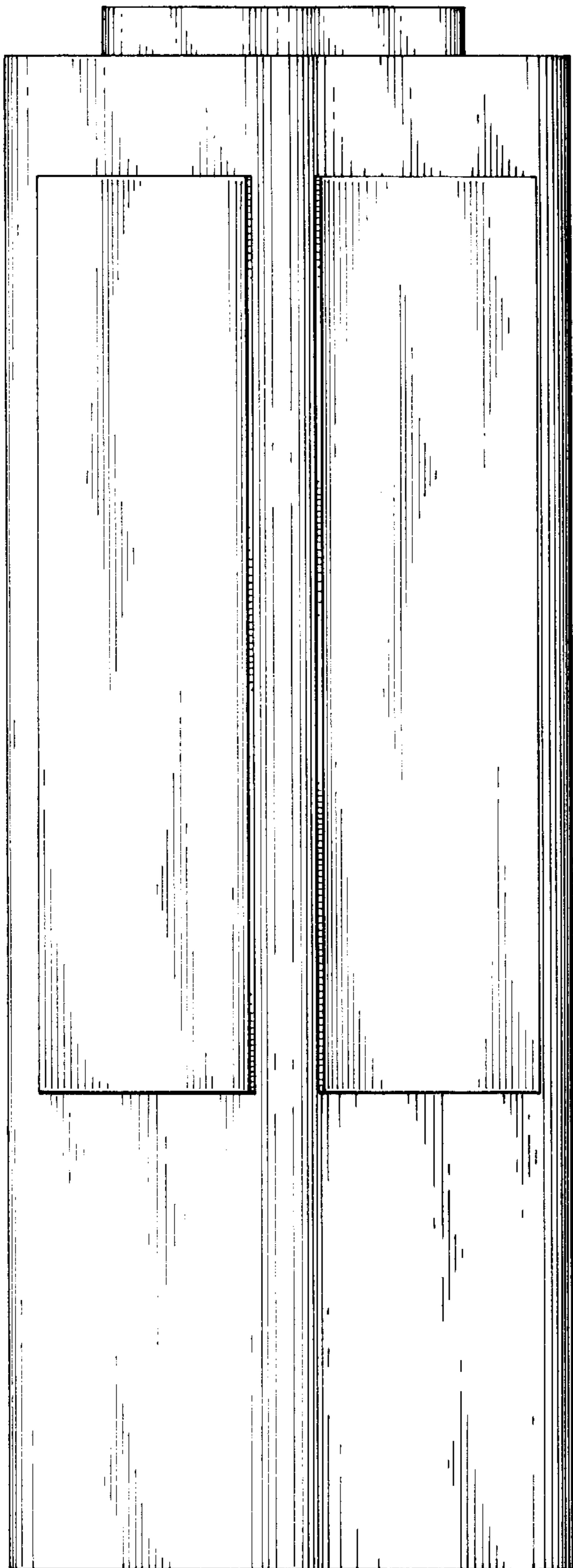


FIG. 2

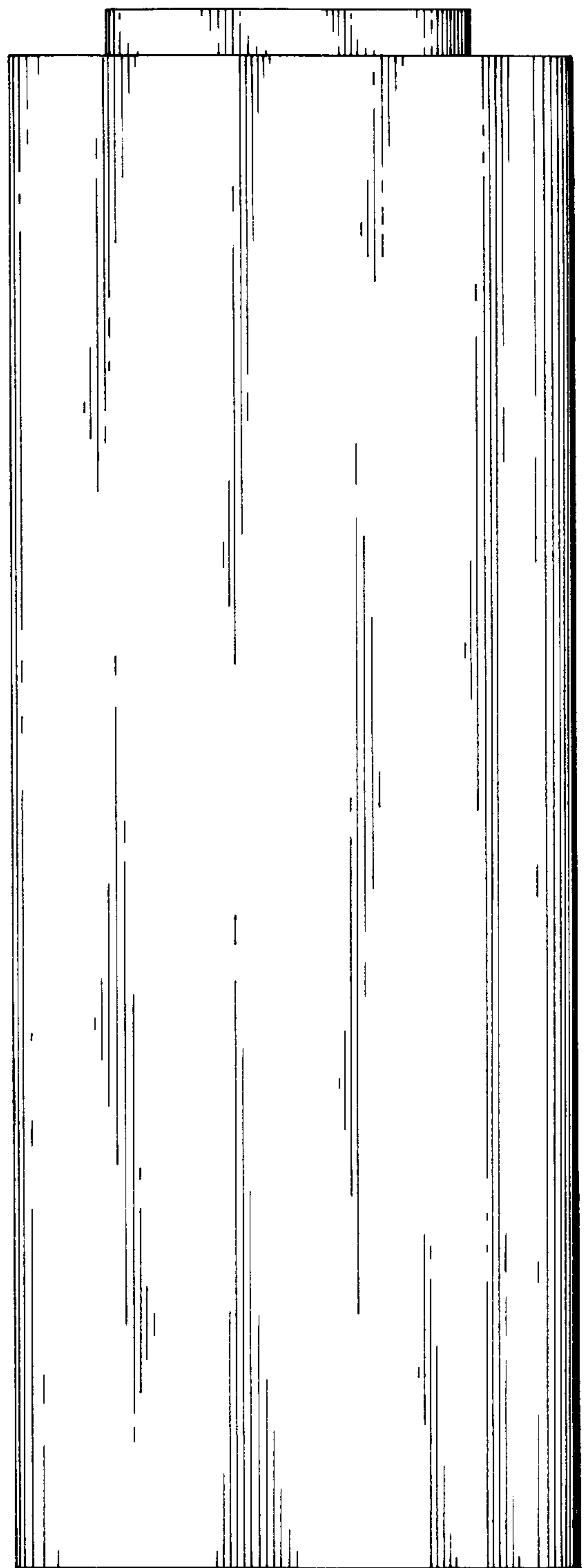


FIG. 5