



US00D405089S

# United States Patent [19] Sone

[11] **Patent Number: Des. 405,089**

[45] **Date of Patent: \*\*Feb. 2, 1999**

[54] **ELECTROACOUSTIC TRANSDUCER**

D. 371,312 7/1996 Suzuki ..... D10/116  
D. 375,275 11/1996 Suzuki ..... D10/116  
4,115,770 9/1978 Kanazawa ..... 340/396

[75] Inventor: **Takahiro Sone**, Shizuoka, Japan

[73] Assignee: **Star Micronics Co., Ltd.**, Shizuoka, Japan

[\*] Notice: The term of this patent shall not extend beyond the expiration date of Pat. Nos. Des. 350,705 and Des. 375,275.

[\*\*] Term: **14 Years**

[21] Appl. No.: **59,288**

[22] Filed: **Sep. 6, 1996**

### [30] Foreign Application Priority Data

Mar. 8, 1996 [JP] Japan ..... 8-6484

[51] **LOC (6) Cl.** ..... **14-01**

[52] **U.S. Cl.** ..... **D14/222**

[58] **Field of Search** ..... D10/75, 116; D14/214, D14/217, 221-224, 299; 340/396, 392; 324/156; 367/175, 157, 167; 381/188-199; 455/344, 347, 350, 351

### [56] References Cited

#### U.S. PATENT DOCUMENTS

D. 339,544 9/1993 Sone ..... D10/116  
D. 350,705 9/1994 Sone ..... D10/116

#### FOREIGN PATENT DOCUMENTS

948056 2/1996 Japan .

*Primary Examiner*—Ted Shooman  
*Assistant Examiner*—Nanda Bondade  
*Attorney, Agent, or Firm*—Sughrue, Mion, Zinn, Macpeak & Seas, PLLC

### [57] CLAIM

The ornamental design for an electroacoustic transducer, as shown and described.

### DESCRIPTION

FIG. 1 is a perspective view of the top, front and left side of an electroacoustic transducer showing my new design; FIG. 2 is a front elevational view thereof; FIG. 3 is a top plan view thereof; FIG. 4 is a left side elevational view thereof, the right side elevational view being a mirror image thereof; FIG. 5 is a bottom plan view thereof; FIG. 6 is a rear elevational plan view thereof; FIG. 7 is the 7—7 sectional view of FIG. 2; FIG. 8 is the 8—8 sectional view of FIG. 5; FIG. 9 is the 9—9 sectional view of FIG. 5; and, FIG. 10 is the 10—10 sectional view of the FIG. 5.

**1 Claim, 3 Drawing Sheets**

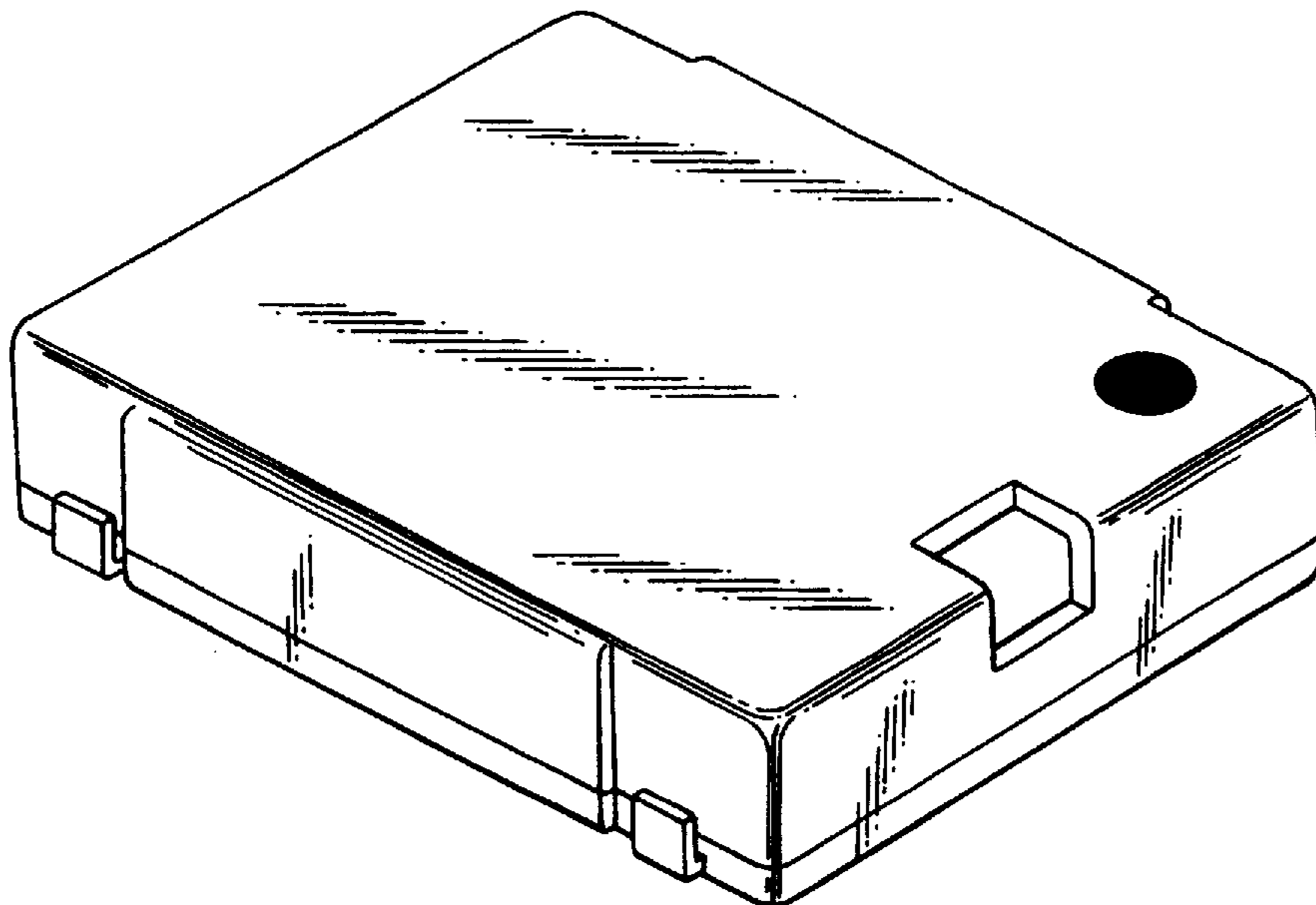


FIG. 1

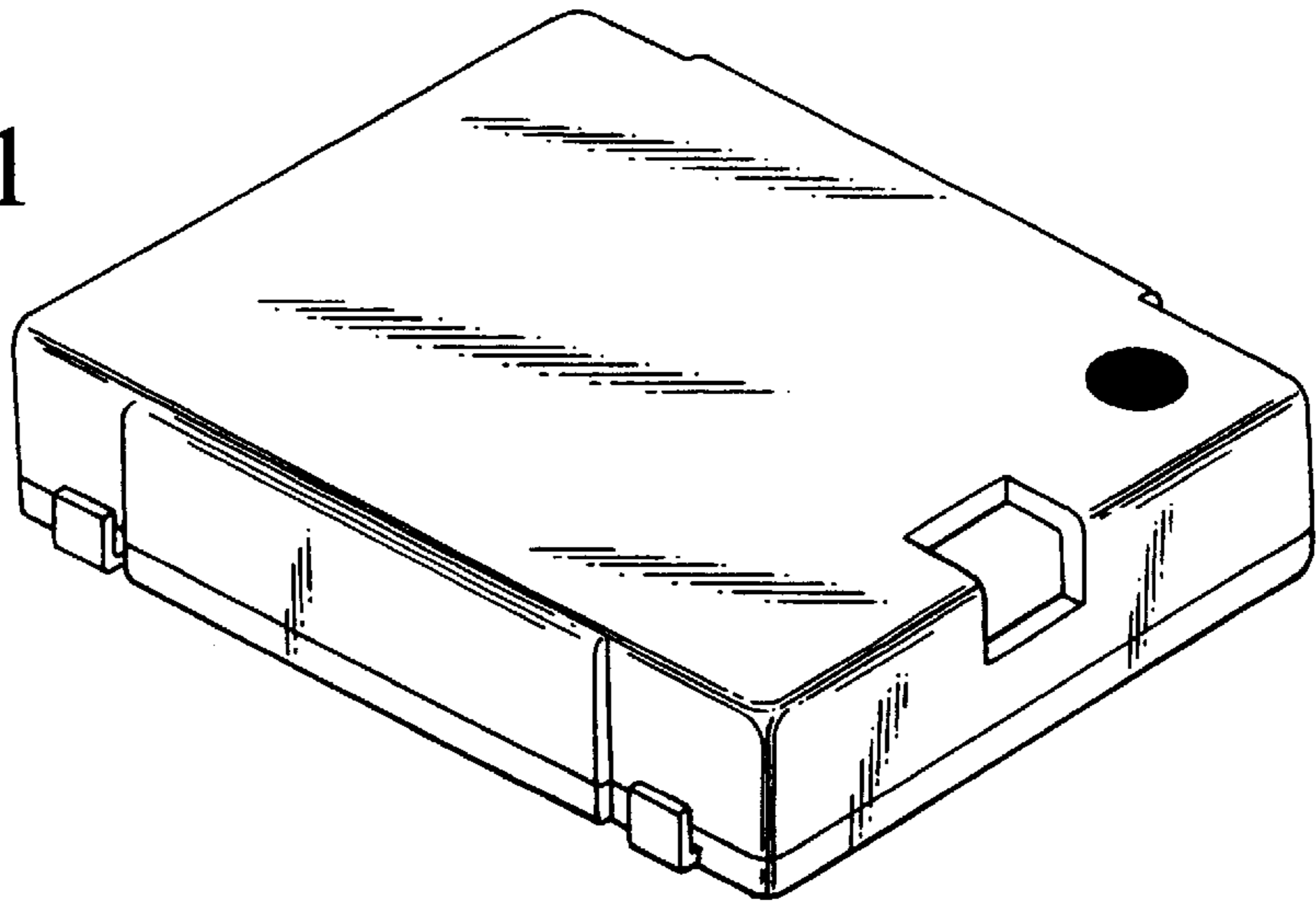


FIG. 2

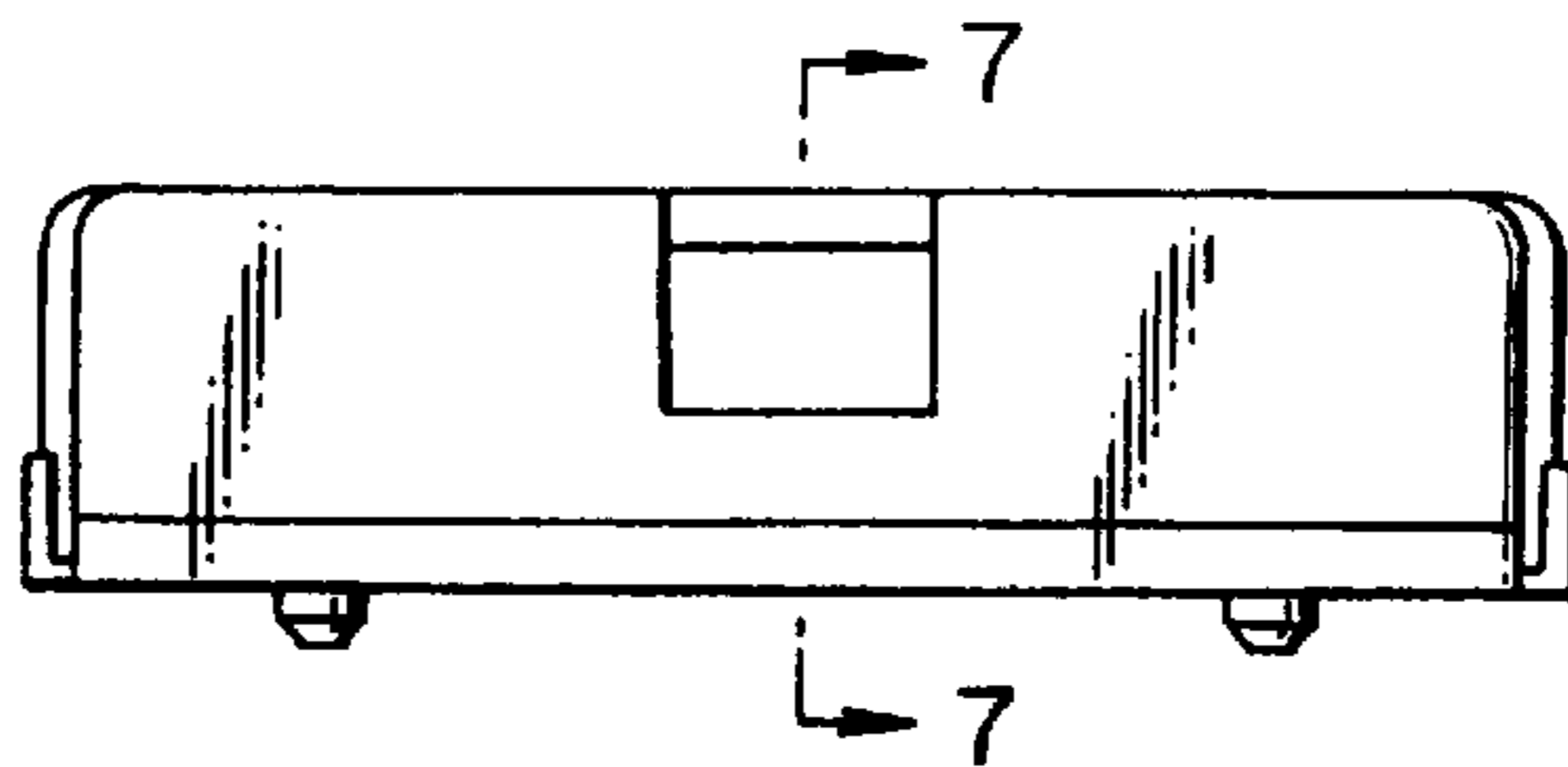


FIG. 3

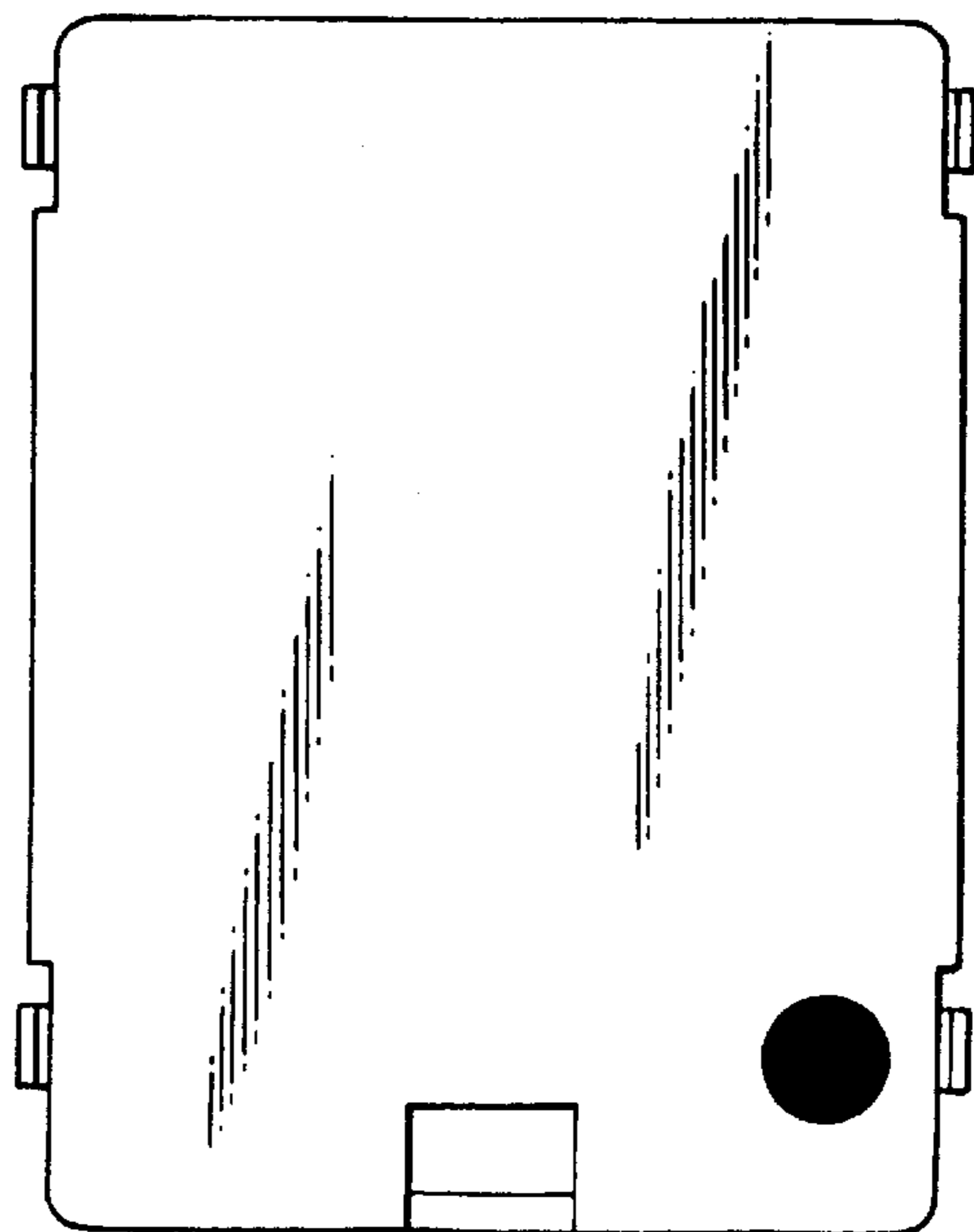


FIG. 4

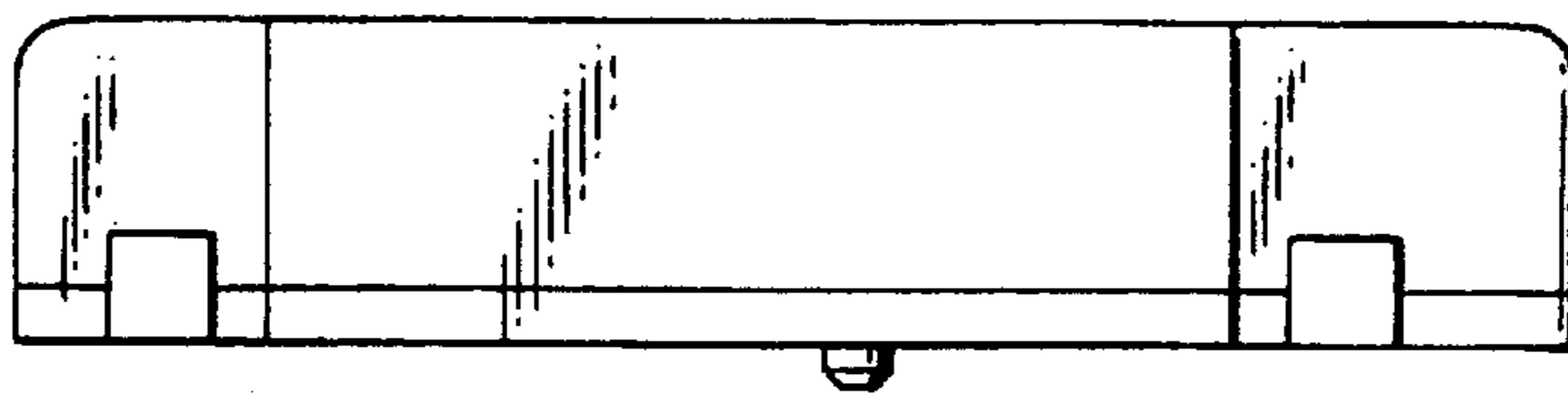


FIG. 5

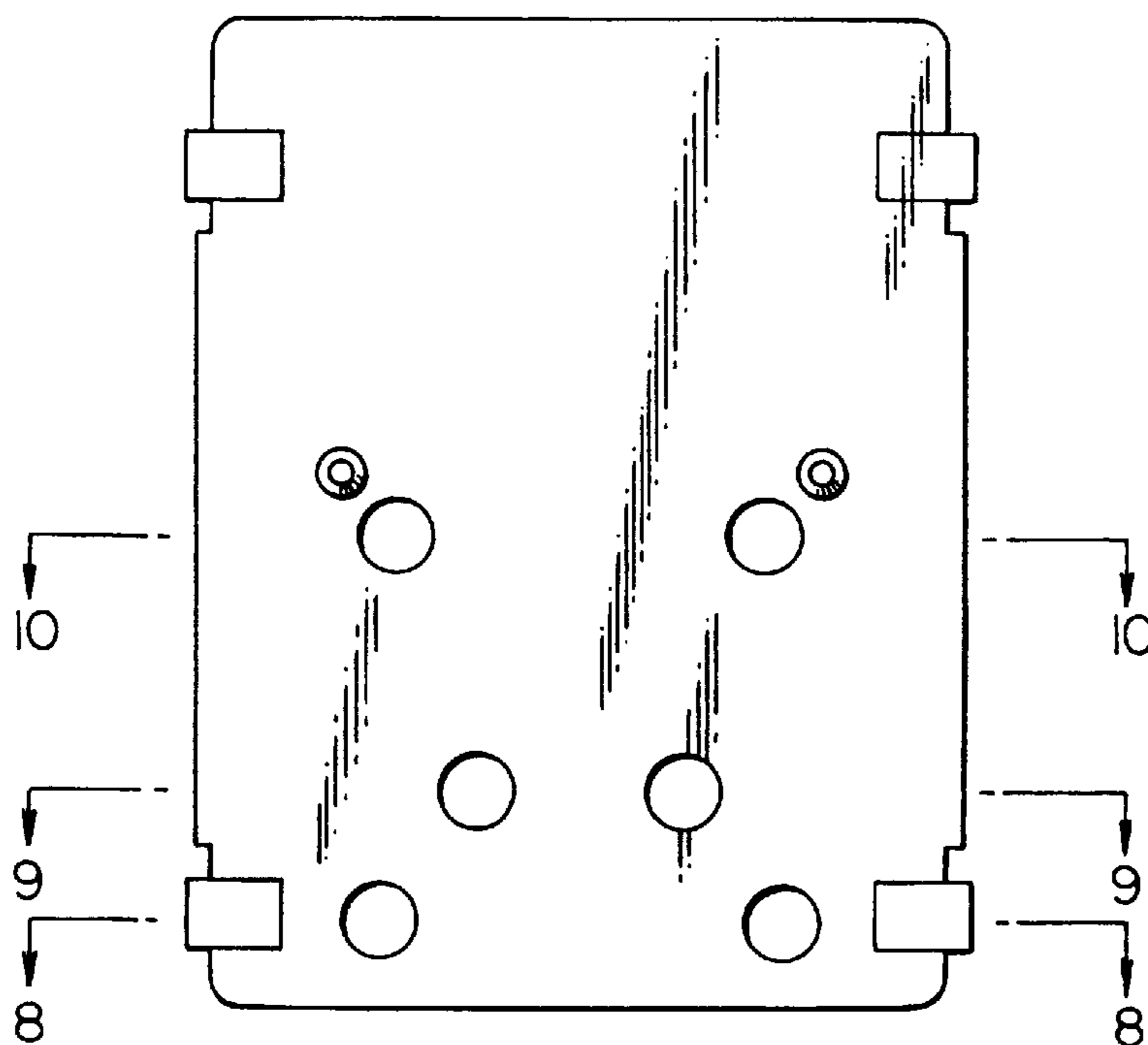


FIG. 6

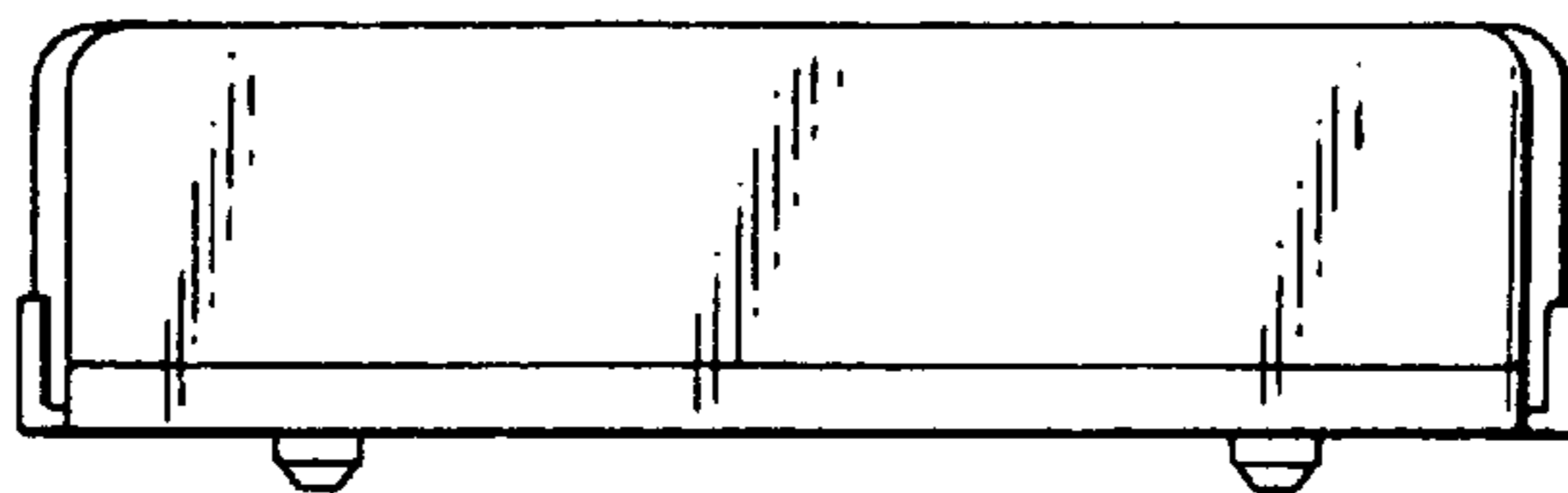


FIG. 7

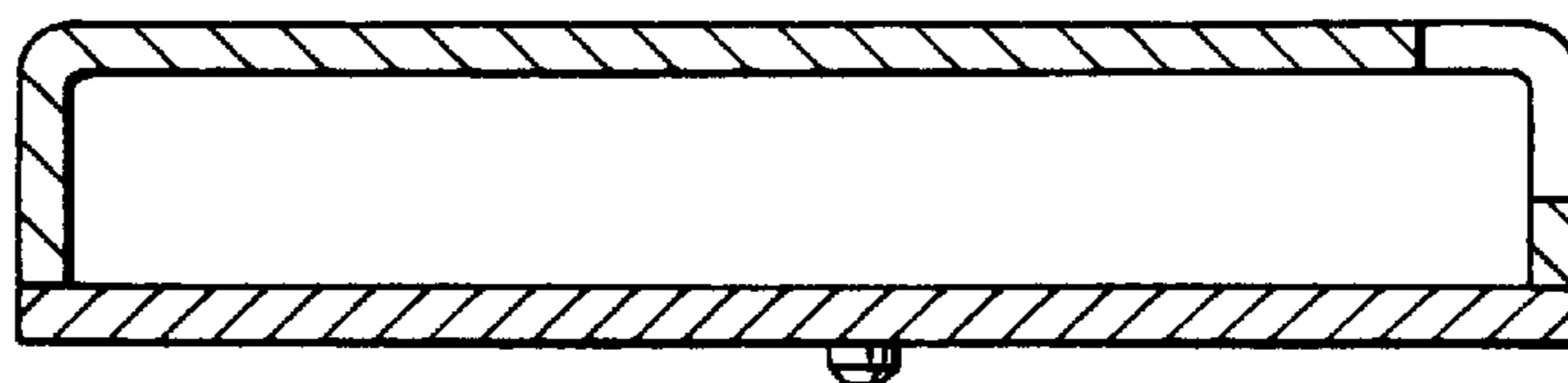


FIG. 8

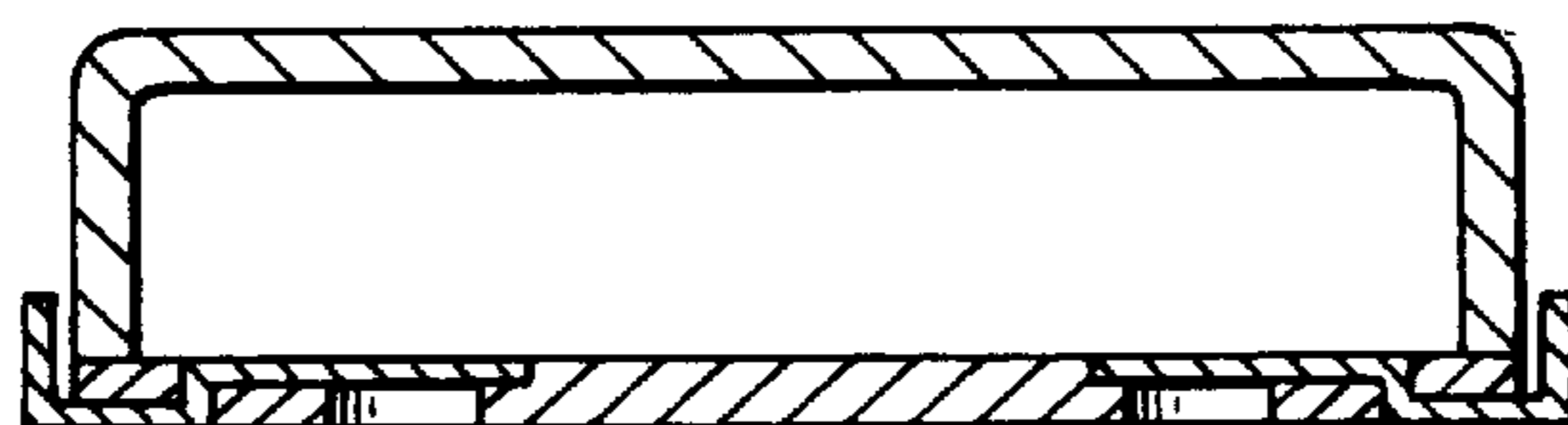


FIG. 9

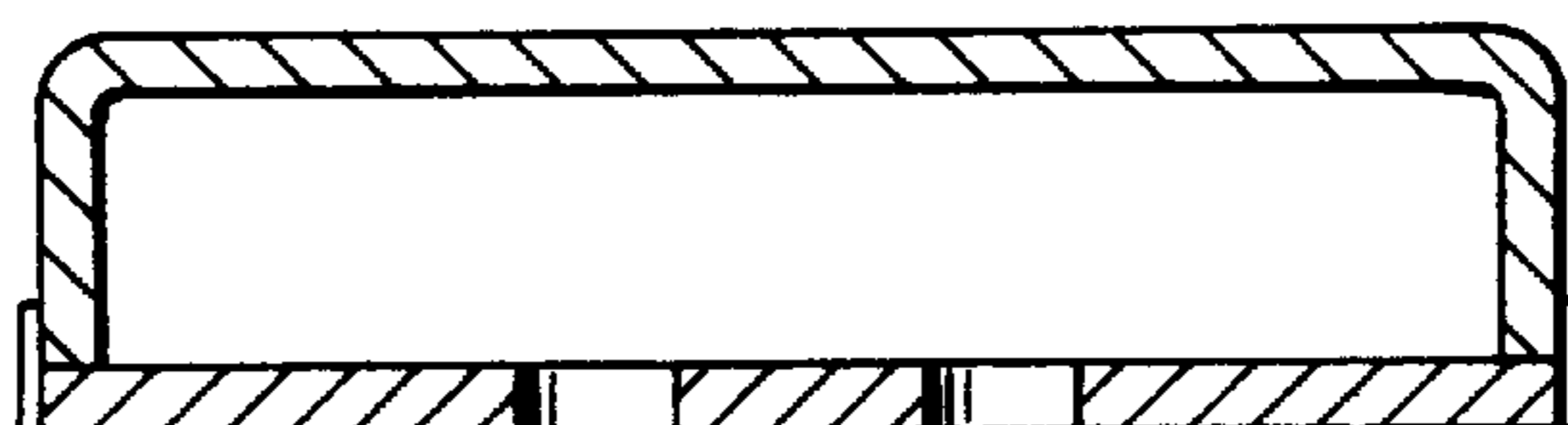


FIG. 10

