



US00D405088S

United States Patent [19] Chen

[11] Patent Number: **Des. 405,088**

[45] Date of Patent: ****Feb. 2, 1999**

[54] **SPEAKER SET**

[75] Inventor: **Nan-Chen Chen**, Hsin-Chuang, Taiwan

[73] Assignee: **Sung Forn Co., Ltd.**, Taipei, Taiwan

[**] Term: **14 Years**

[21] Appl. No.: **87,747**

[22] Filed: **May 8, 1998**

[51] **LOC (6) Cl.** **14-01**

[52] **U.S. Cl.** **D14/214**

[58] **Field of Search** D14/114, 204,
D14/210-216; 181/144, 145, 147, 148,
150, 153, 198, 199; 381/24, 87-90, 159,
186, 188

[56] **References Cited**

U.S. PATENT DOCUMENTS

D. 355,418 2/1995 Parsey D14/214

D. 378,522 3/1997 Nara D14/214

D. 379,183 5/1997 Lin D14/214

Primary Examiner—Ted Shooman

Assistant Examiner—Nanda Bondade

Attorney, Agent, or Firm—Varndell Legal Group

[57] **CLAIM**

The ornamental design for the speaker set, as shown and described.

DESCRIPTION

FIG. 1 is a perspective view of one speaker of the speaker set showing my new design, shown separately for clarity of illustration;

FIG. 2 is a front elevational view of the speaker of FIG. 1;

FIG. 3 is a rear elevational view of the speaker of FIG. 1;

FIG. 4 is a left side view of the speaker of FIG. 1;

FIG. 5 is a right side view of the speaker of FIG. 1;

FIG. 6 is a top plan view of the speaker of FIG. 1;

FIG. 7 is a bottom plan view of the speaker of FIG. 1;

FIG. 8 is a perspective view of the other speaker of the speaker set showing my new design, shown separately for clarity of illustration;

FIG. 9 is a front elevational view of the speaker of FIG. 8;

FIG. 10 is a rear elevational view of the speaker of FIG. 8;

FIG. 11 is a left side view of the speaker of FIG. 8;

FIG. 12 is a right side view of the speaker of FIG. 8;

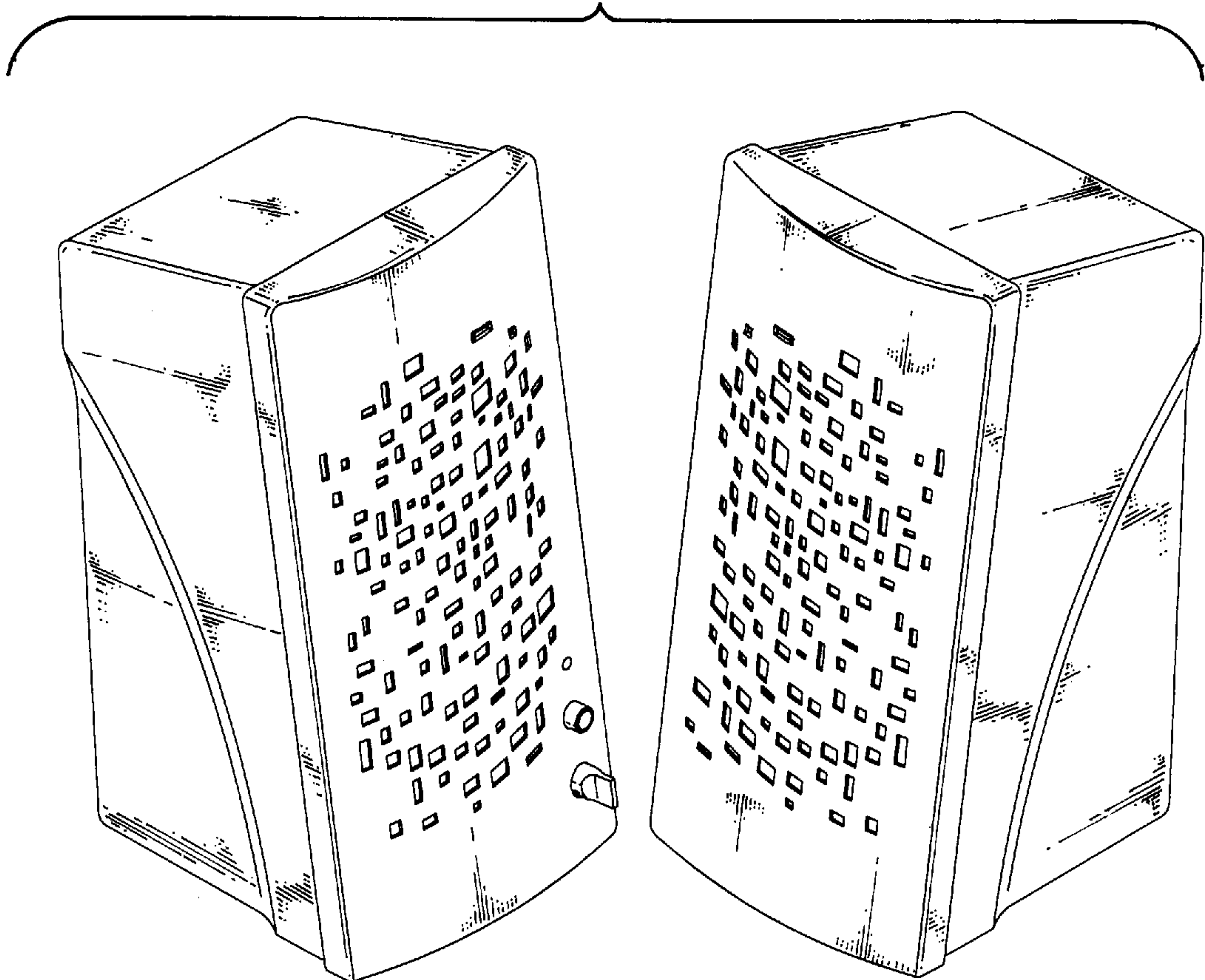
FIG. 13 is a top plan view of the speaker of FIG. 8;

FIG. 14 is a bottom plan view of the speaker of FIG. 8;

FIG. 15 is a perspective view of the speaker set from front, top and side view; and,

FIG. 16 is another perspective view of the speaker set from rear, top and side view.

1 Claim, 16 Drawing Sheets



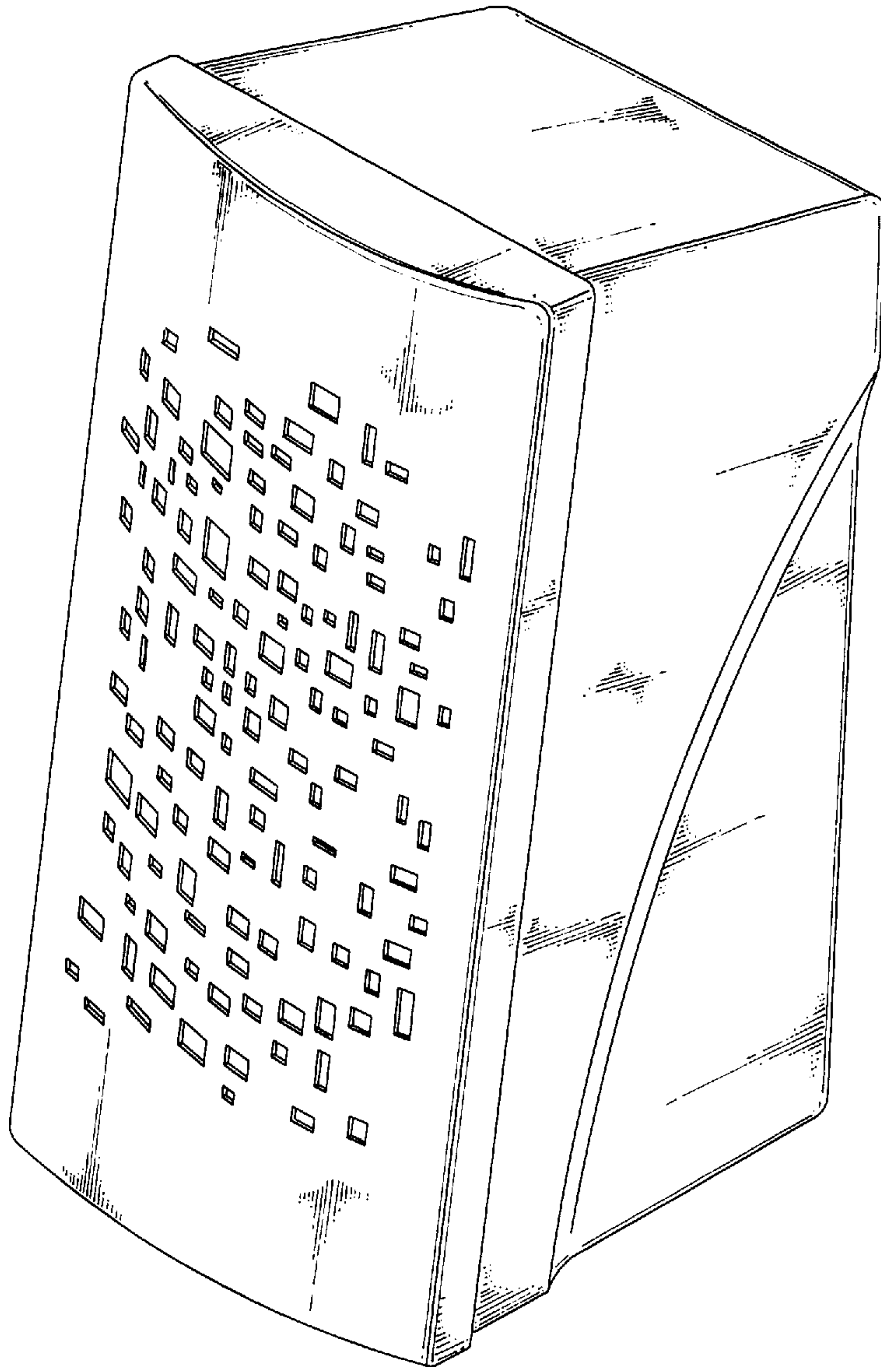


FIG. 1

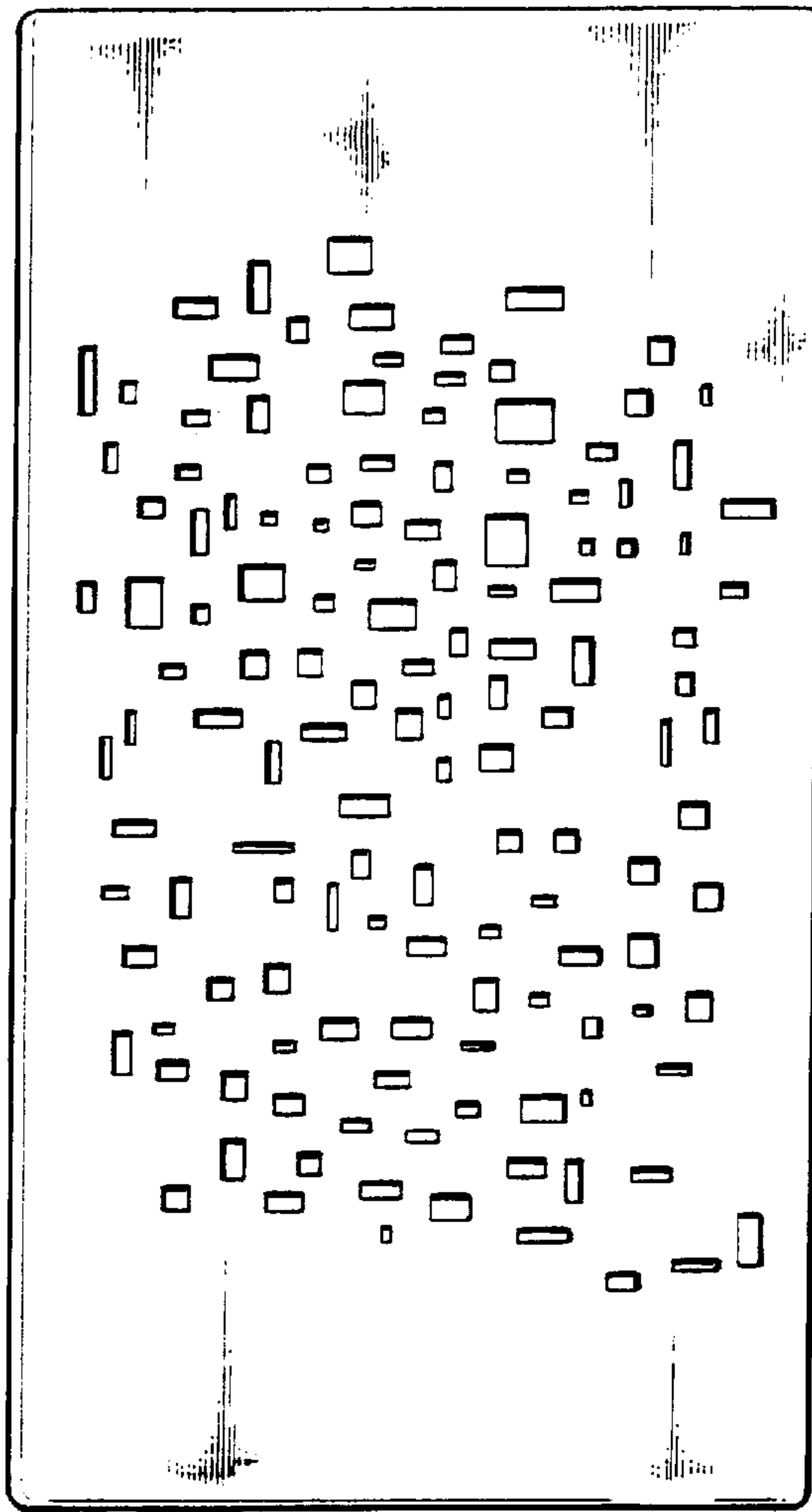


FIG. 2

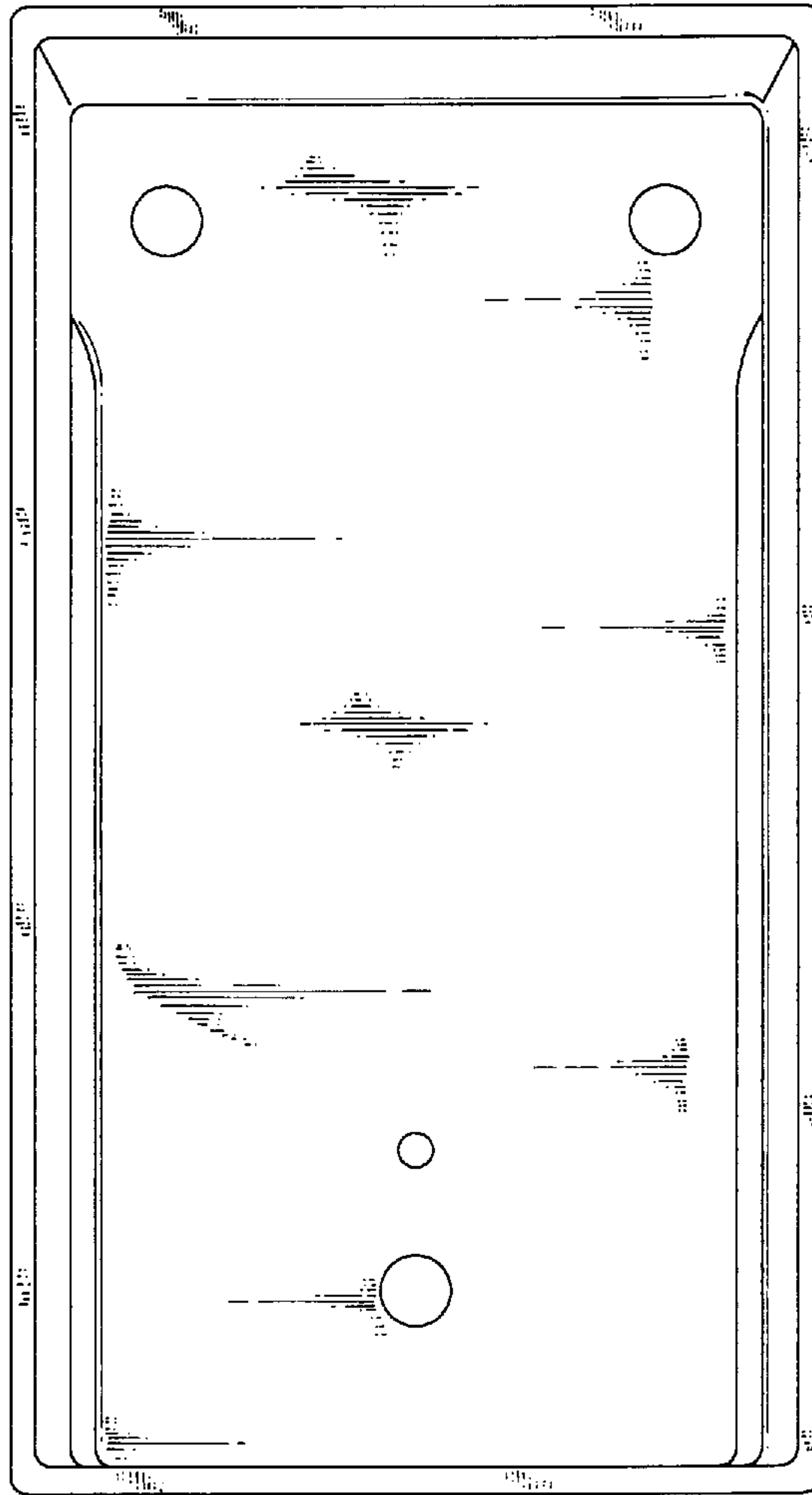


FIG. 3

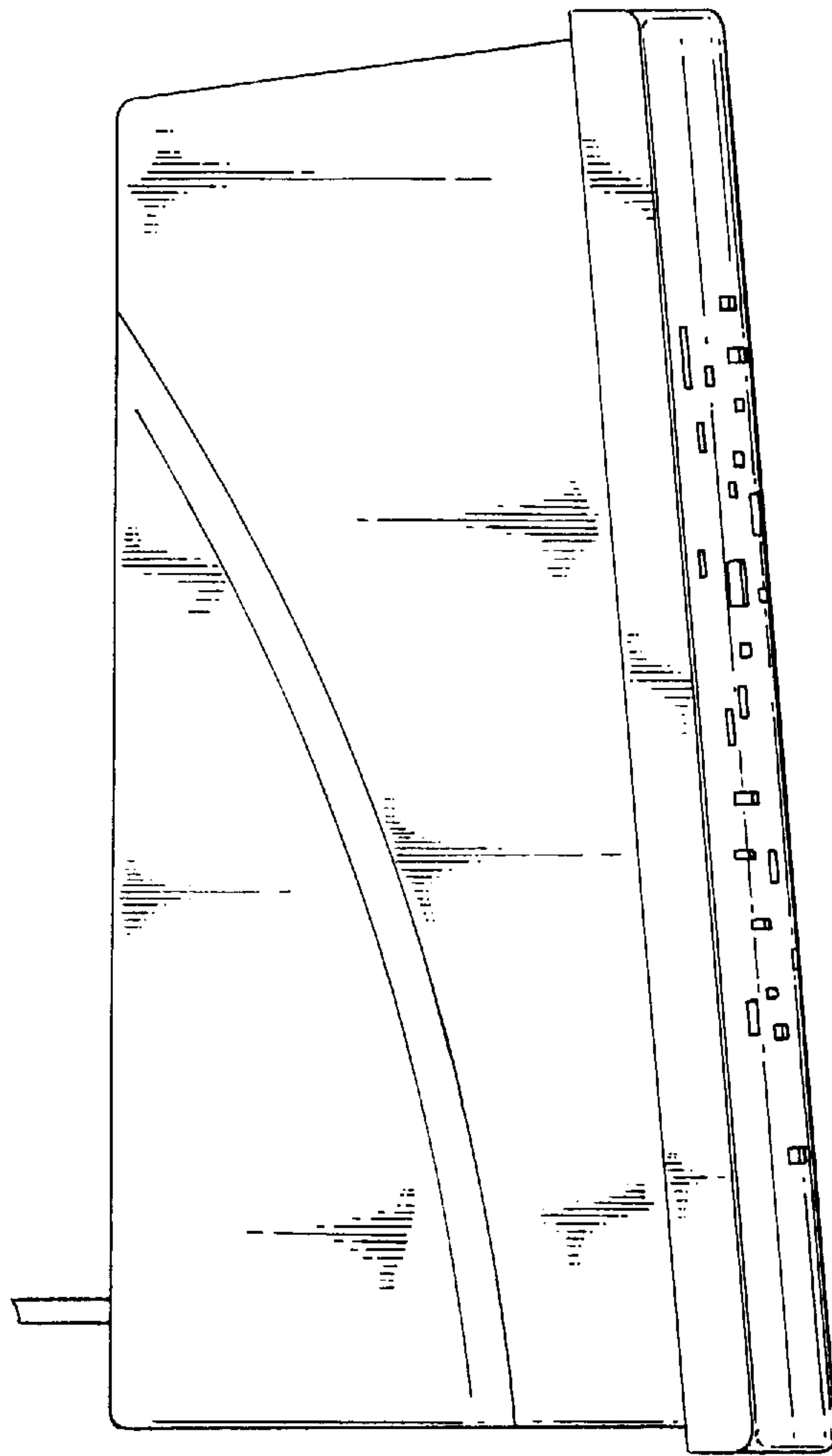


FIG.4

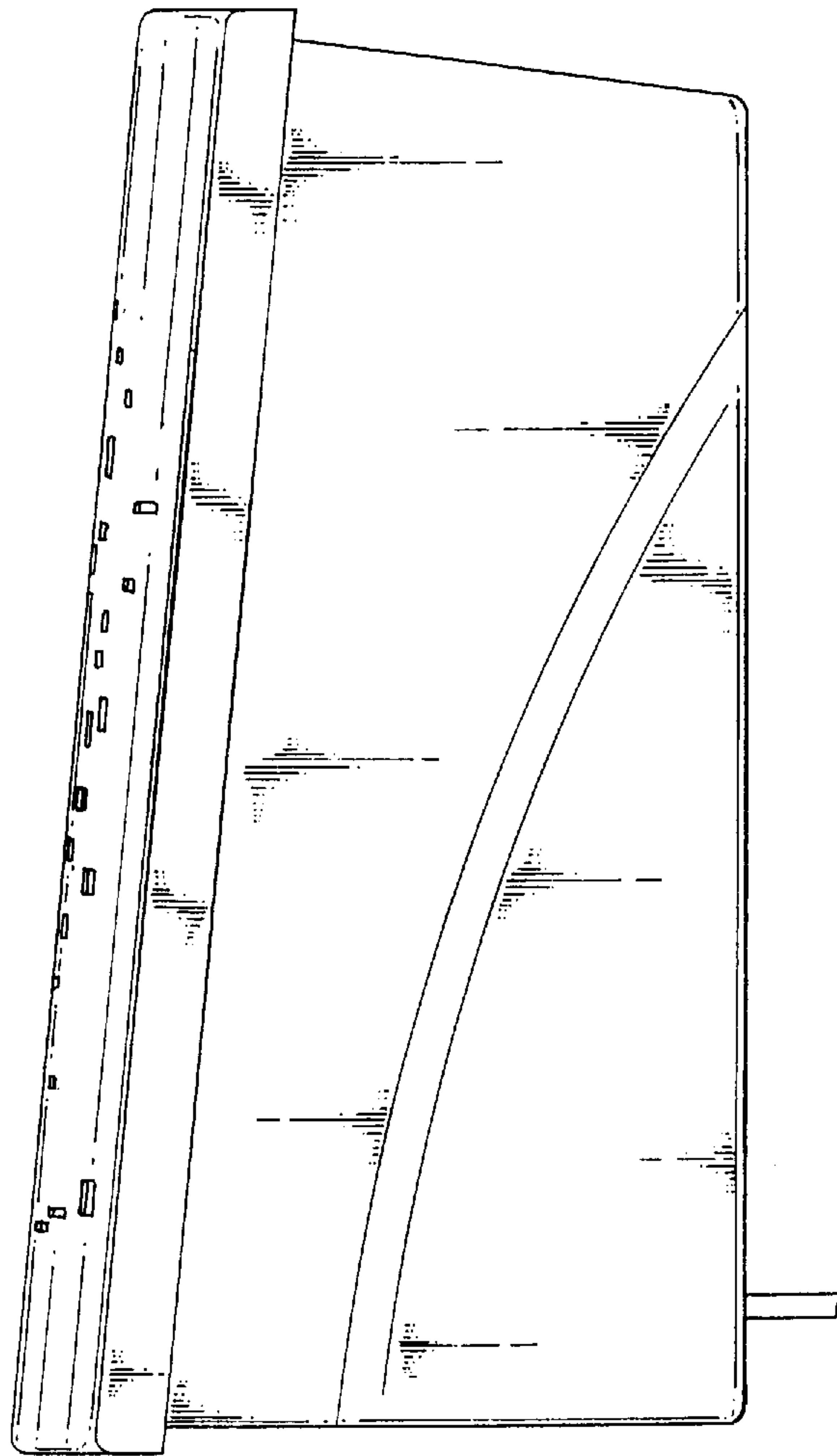


FIG. 5

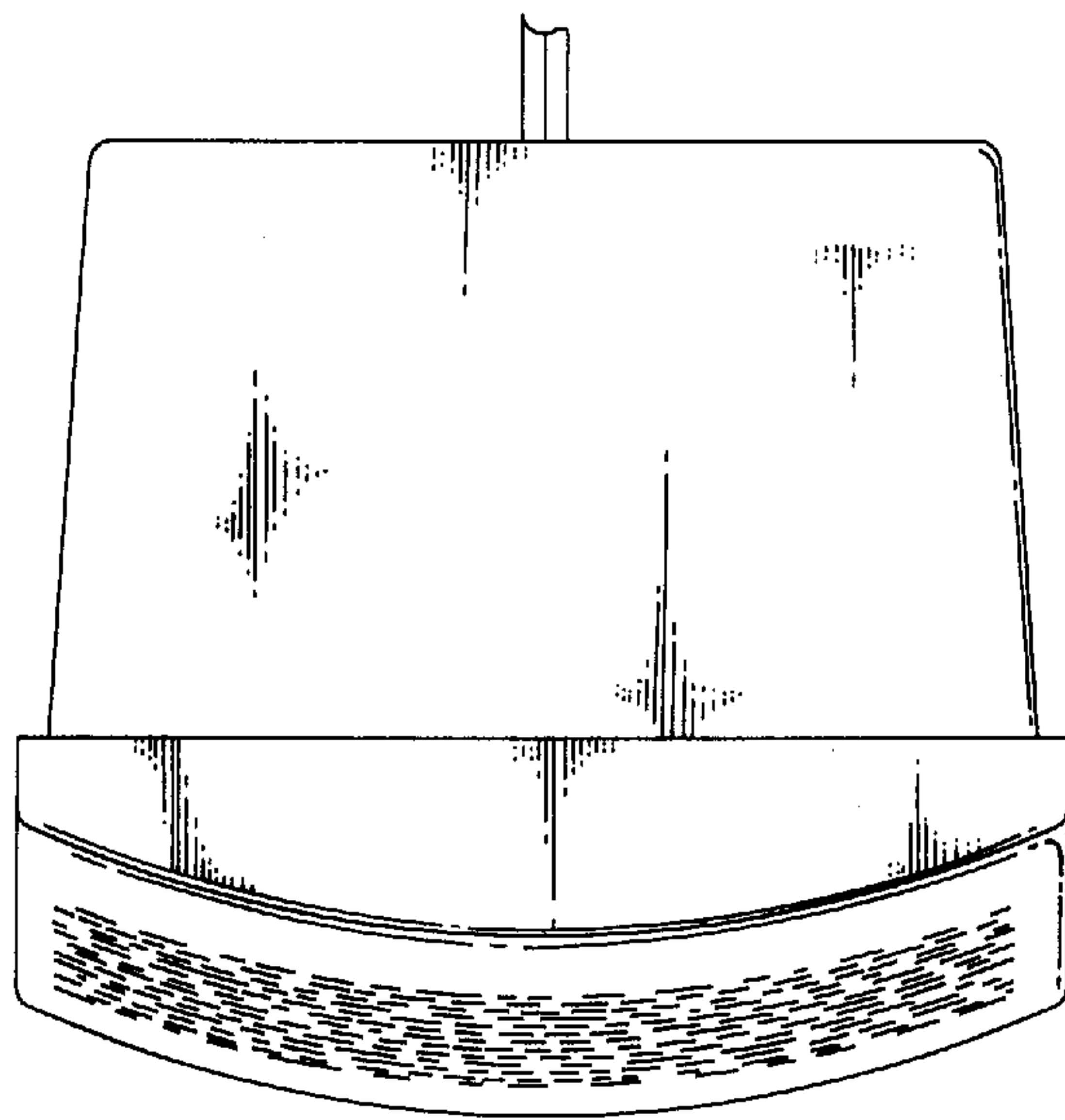


FIG. 6

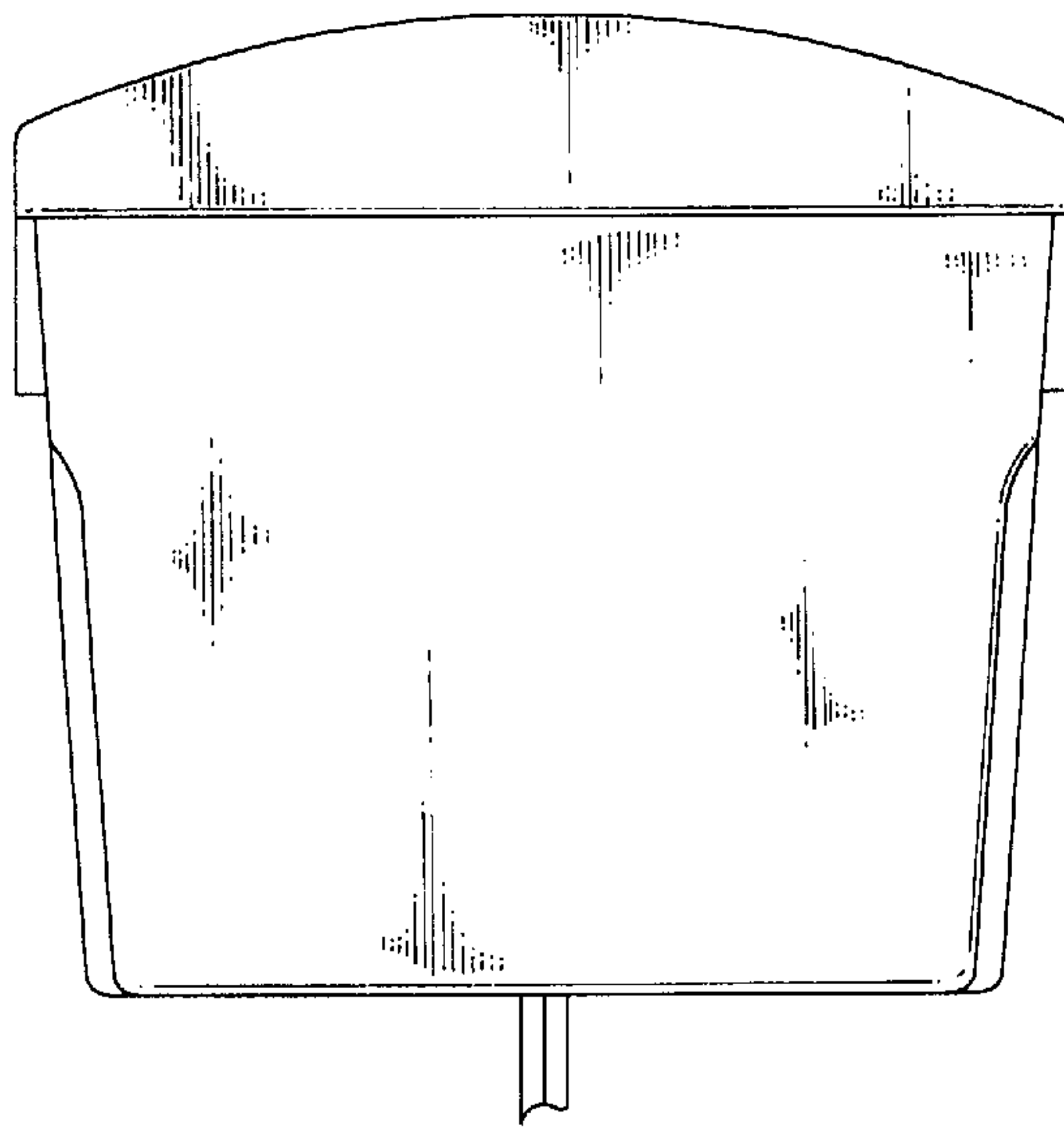


FIG. 7

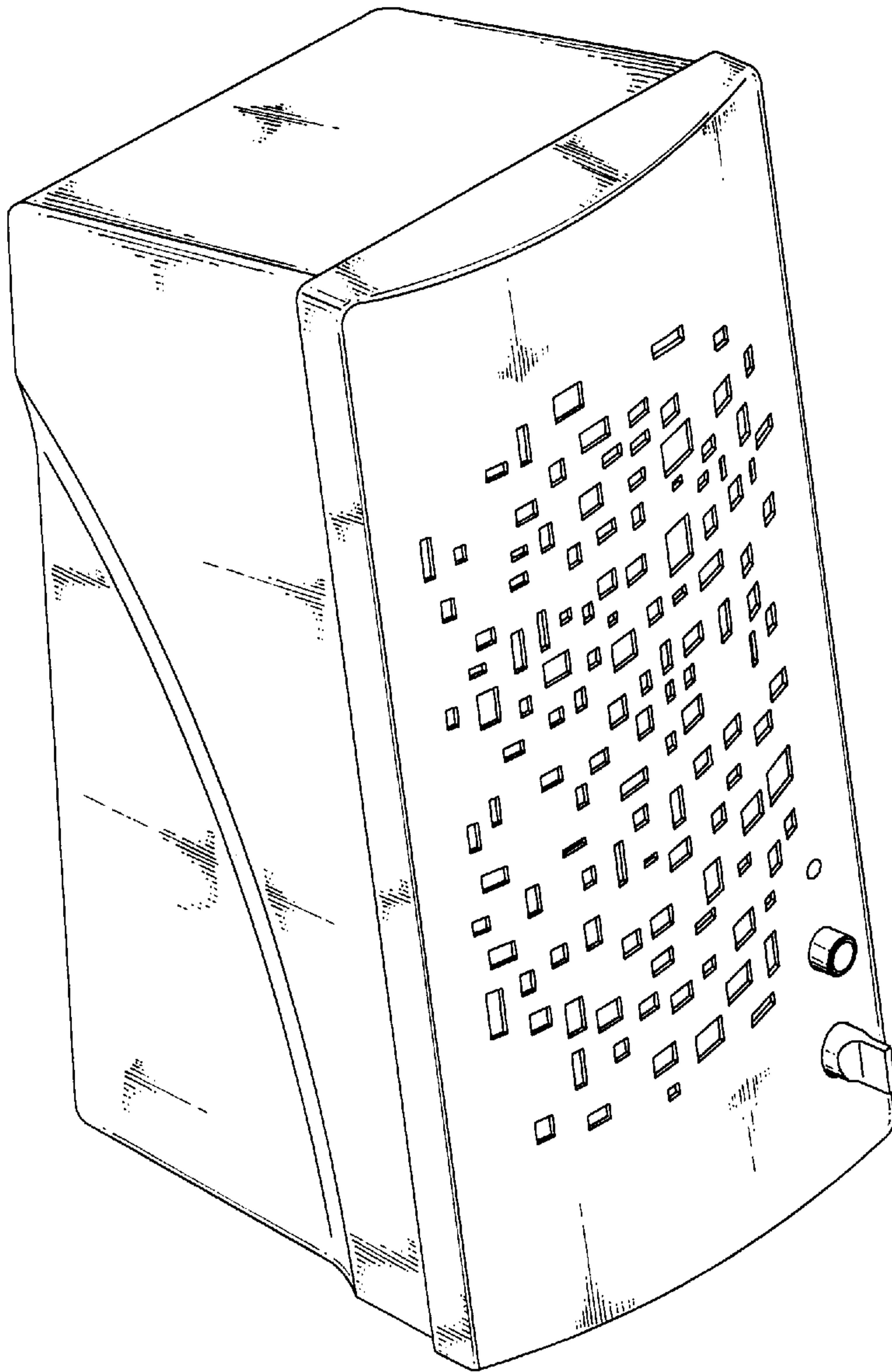


FIG. 8

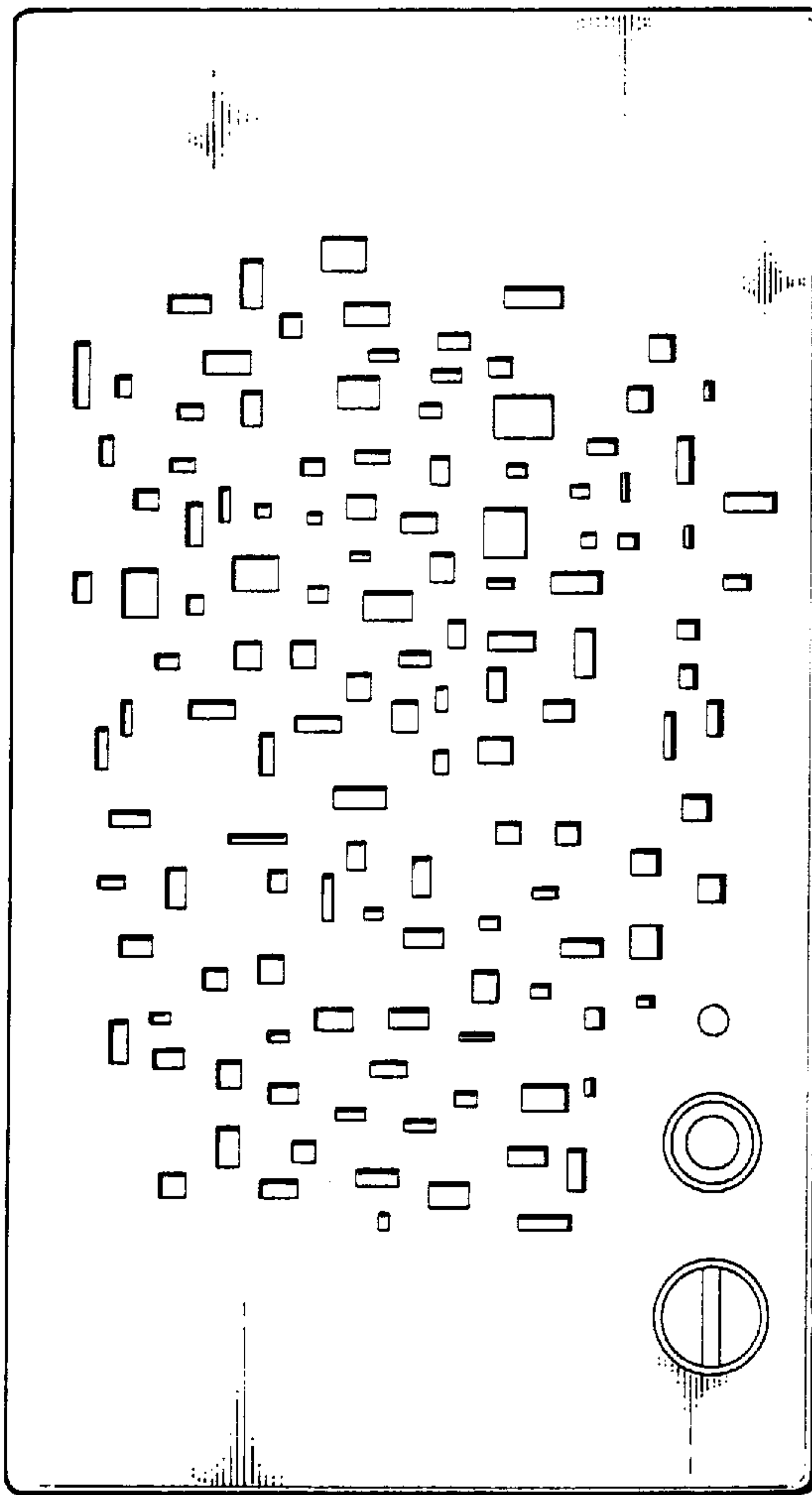


FIG. 9

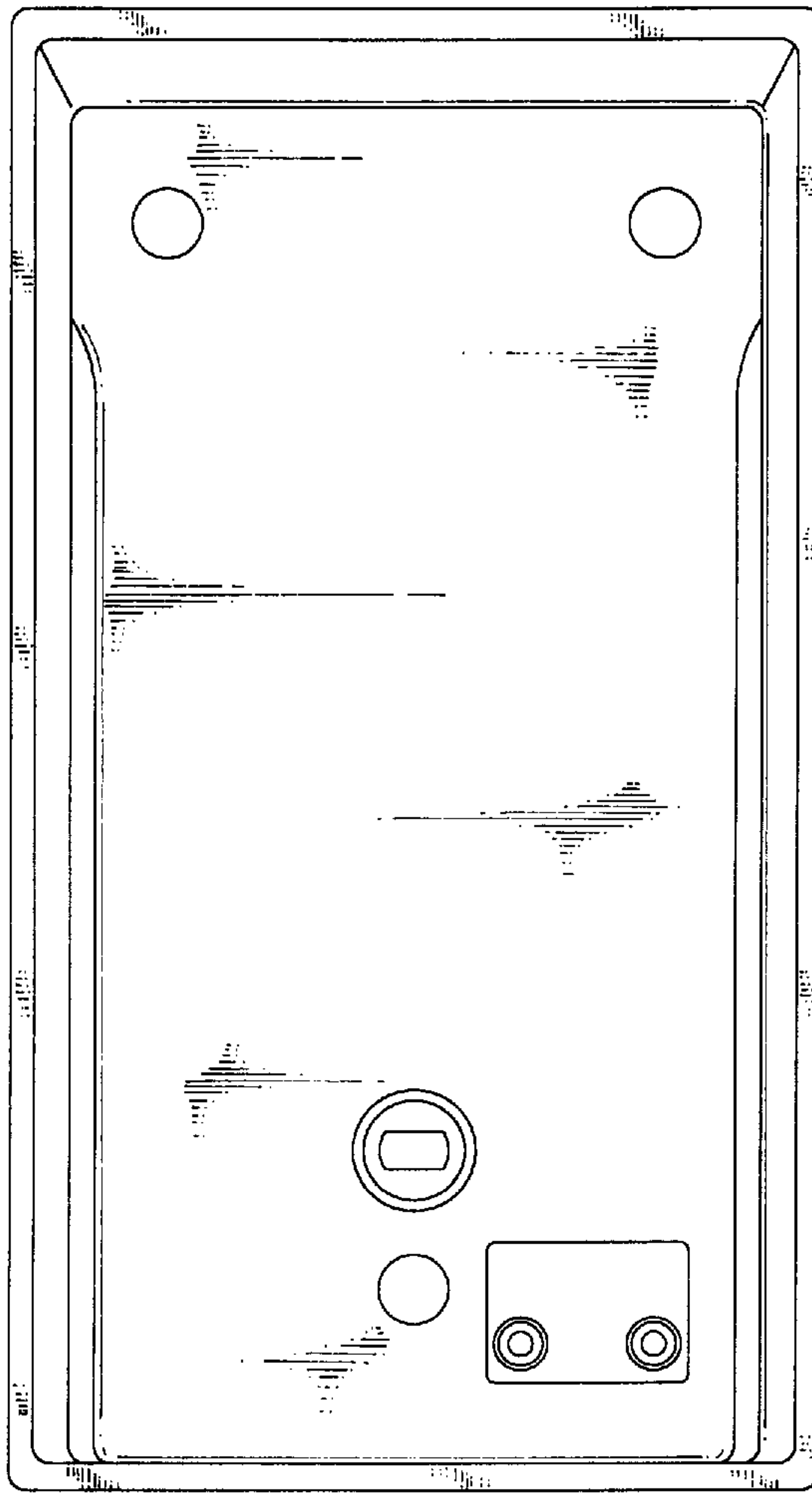


FIG. 10

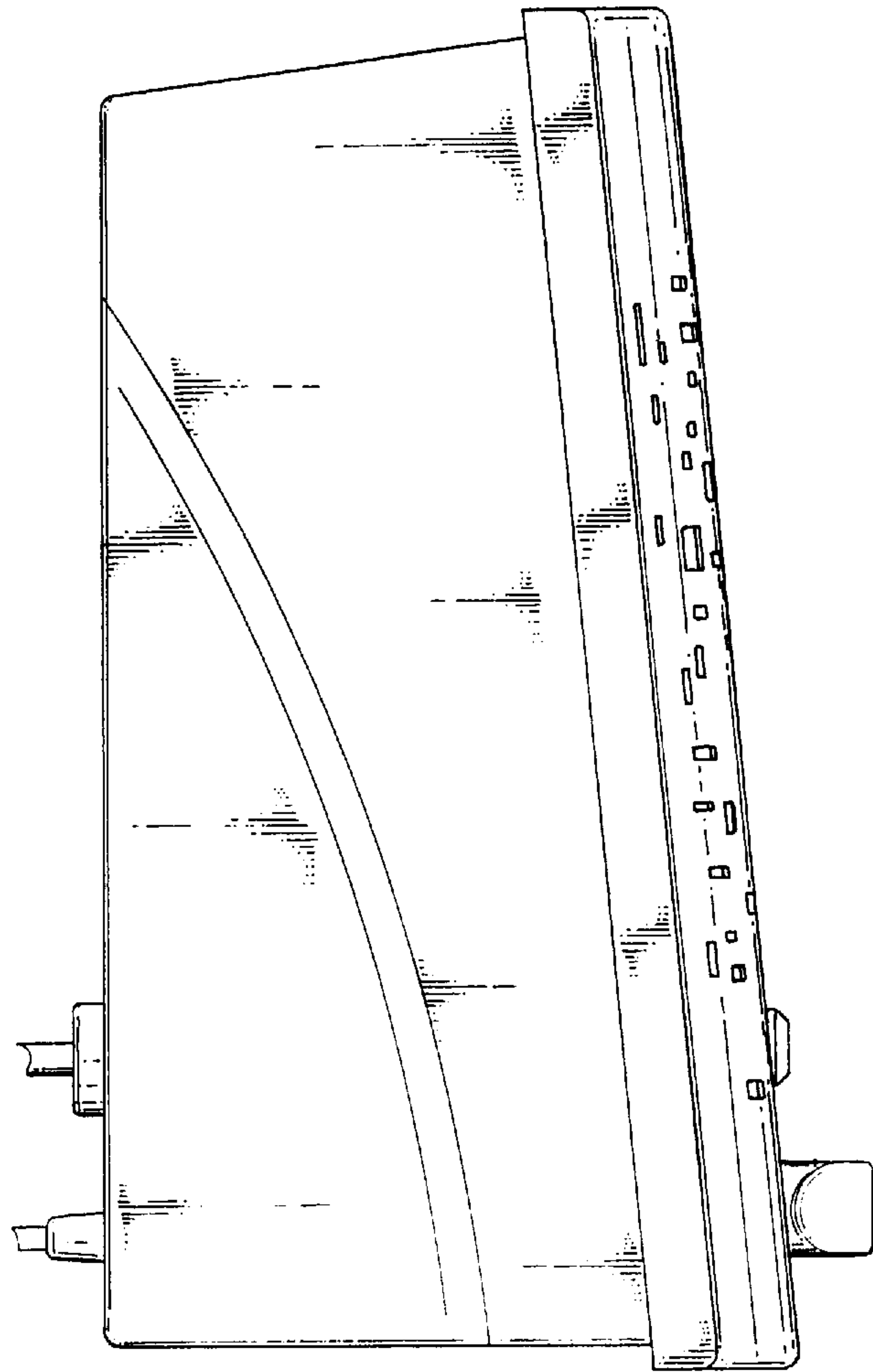


FIG. 11

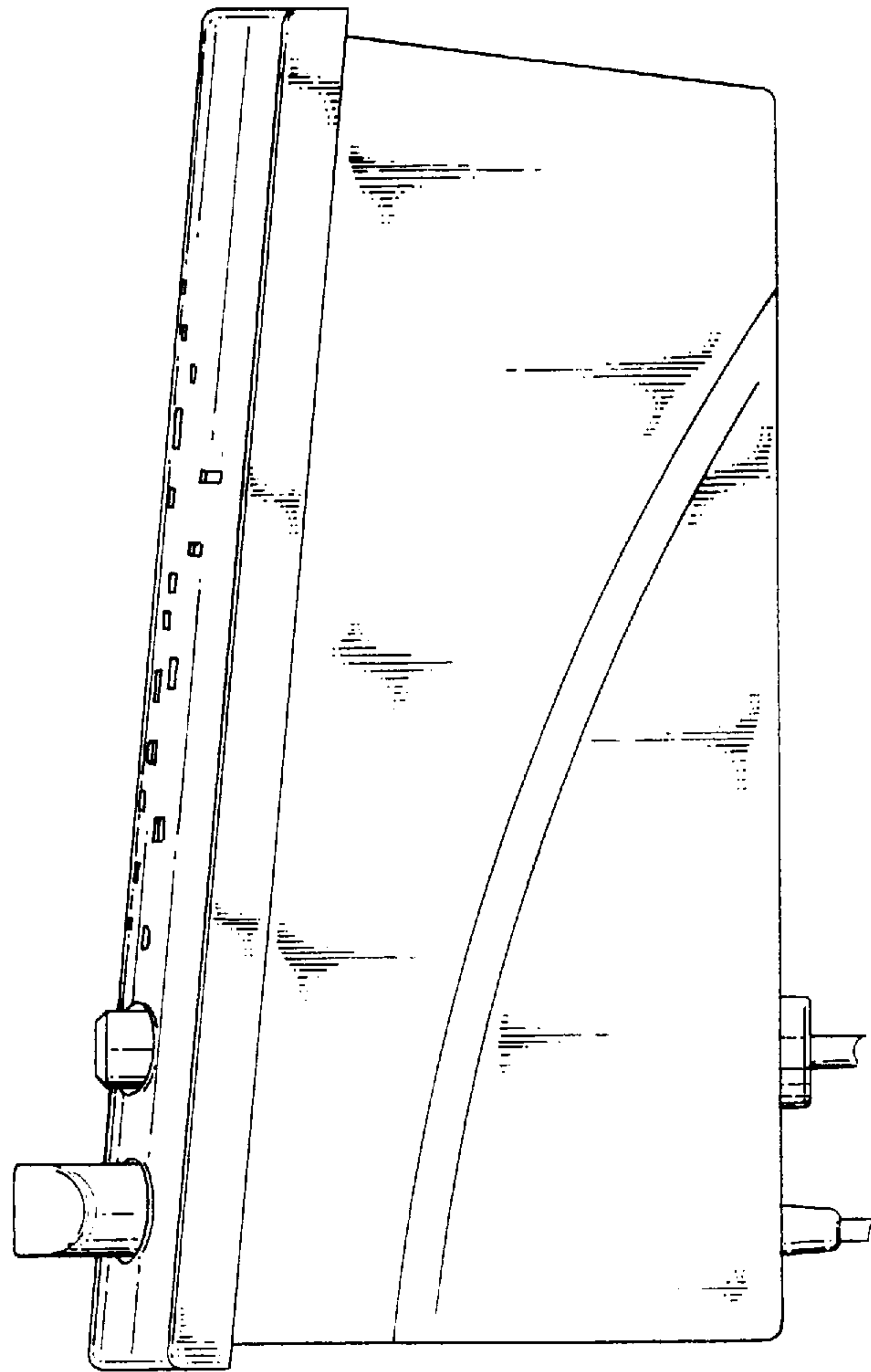


FIG. 12

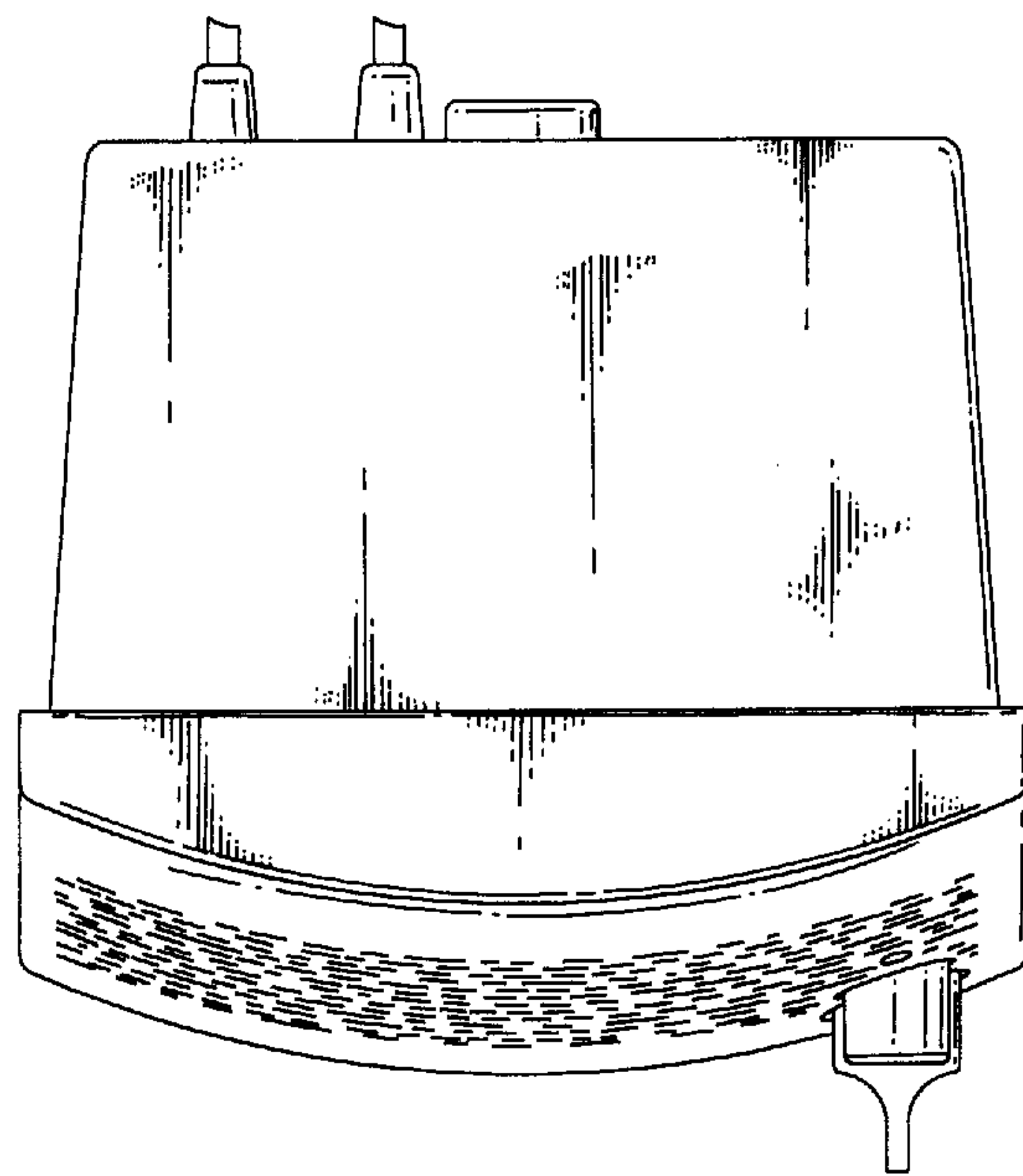


FIG. 13

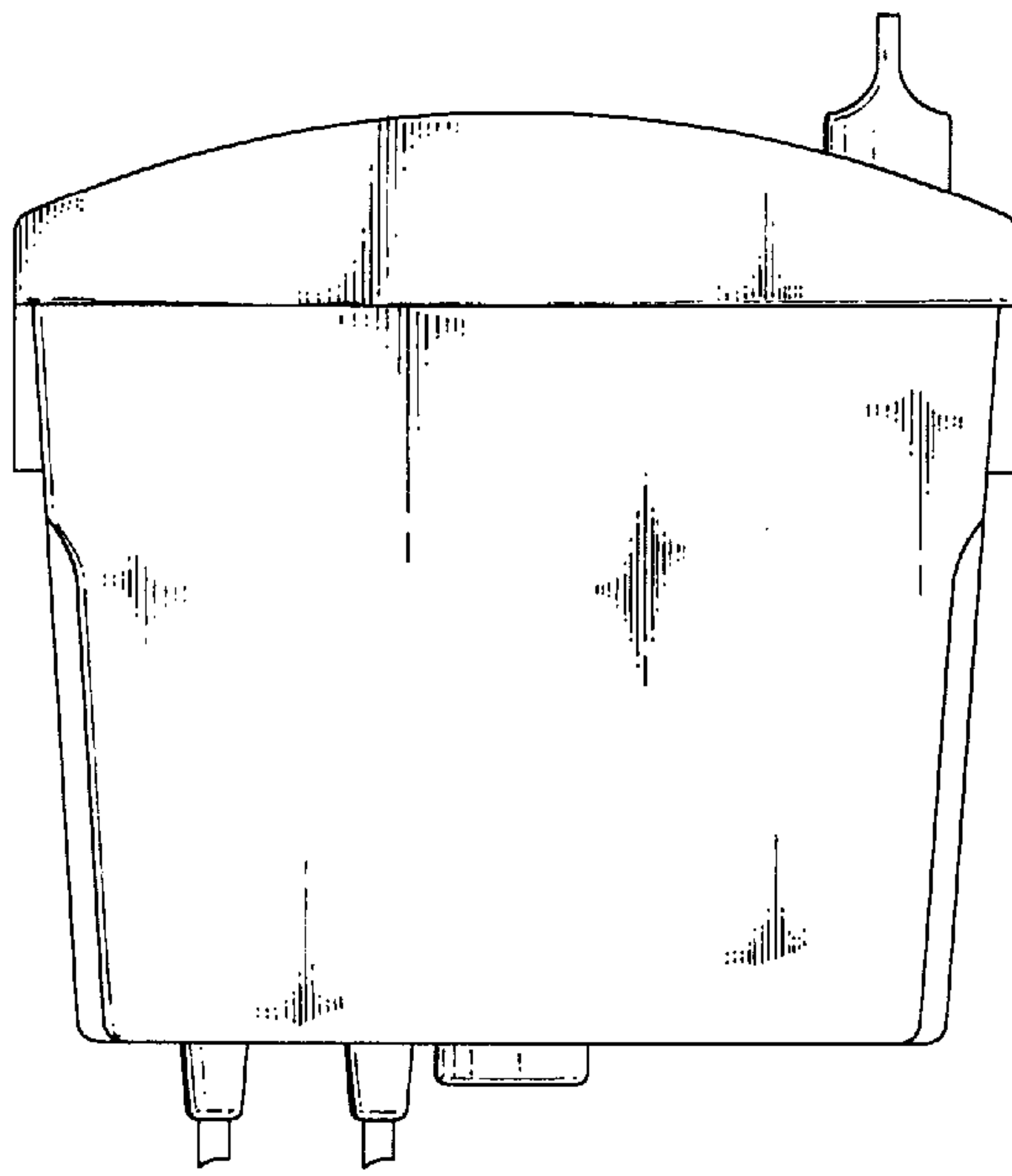


FIG. 14

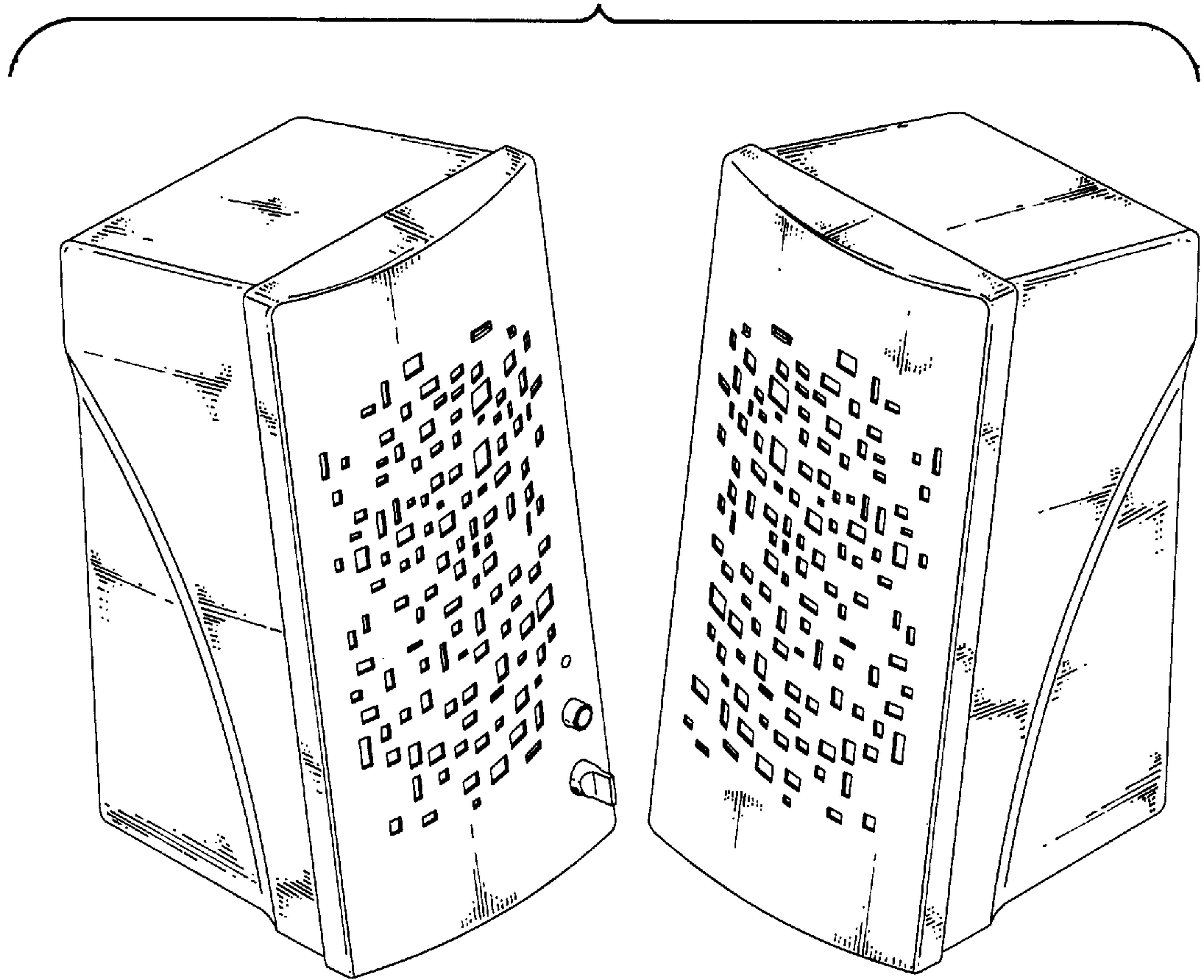


FIG. 15

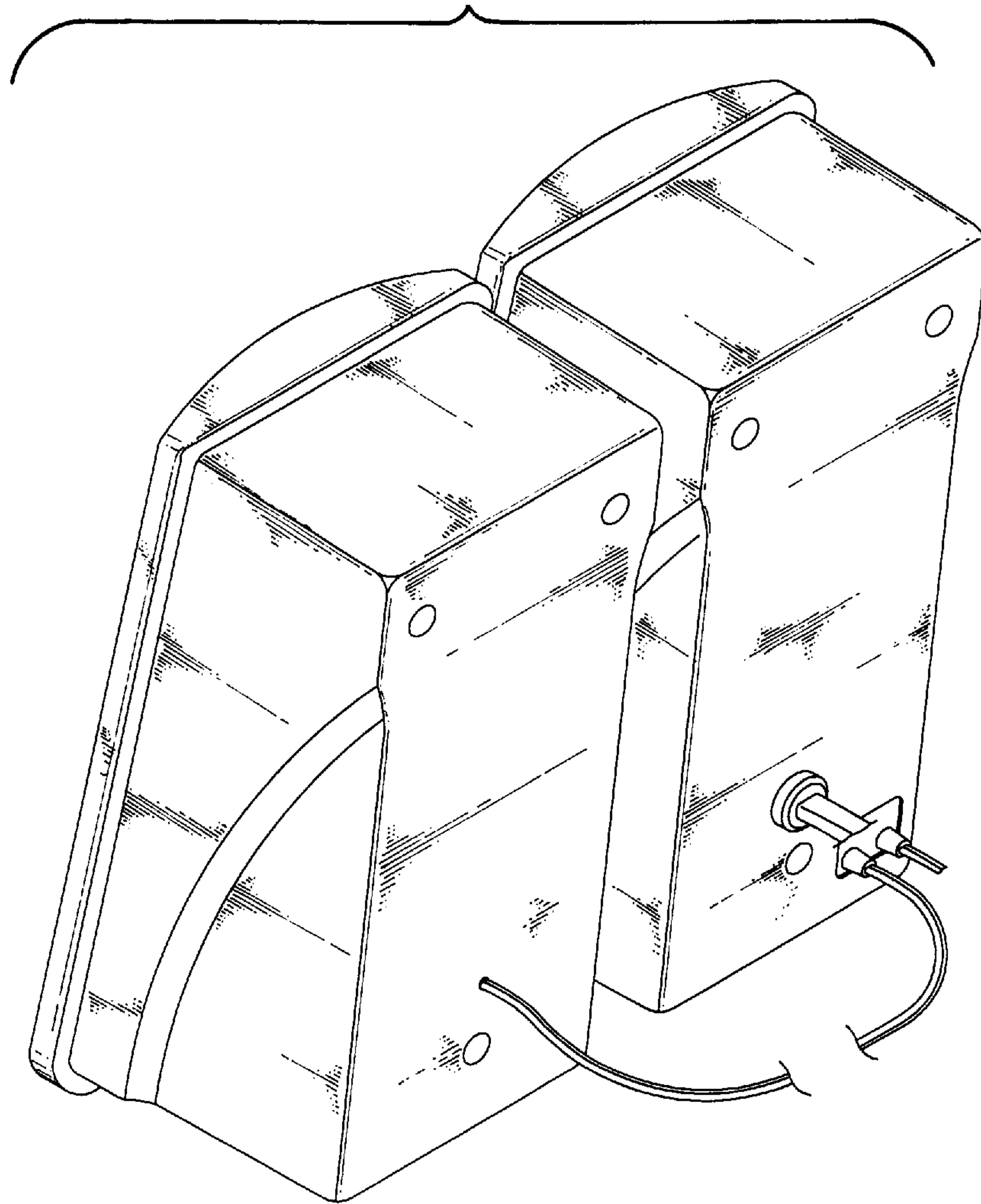


FIG. 16