



US00D405087S

United States Patent [19]

[11] **Patent Number:** **Des. 405,087**

Ito et al.

[45] **Date of Patent:** ****Feb. 2, 1999**

[54] **COMBINED SPEAKER BOX AND FRONT PANEL WITH LOAD HORN**

D. 352,287 11/1994 Yamamoto D14/210
D. 353,142 12/1994 Yamamoto D14/210
D. 374,233 10/1996 Ito et al. D14/214

[75] Inventors: **Masafumi Ito; Hiroyuki Watanabe; Yukio Iikura**, all of Tokyo, Japan

Primary Examiner—Ted Shooman
Assistant Examiner—Nanda Bondade
Attorney, Agent, or Firm—Ladas & Parry

[73] Assignee: **Teac Corporation**, Tokyo, Japan

[**] Term: **14 Years**

[57] CLAIM

[21] Appl. No.: **83,155**

The ornamental design for a combined speaker box and front panel with load horn, as shown and described.

[22] Filed: **Feb. 5, 1998**

DESCRIPTION

Related U.S. Application Data

[63] Continuation-in-part of Ser. No. 69,545, Apr. 28, 1997.

FIG. 1 is a top view of a combined speaker box and front panel with load horn showing our new design;
FIG. 2 is a bottom view thereof;
FIG. 3 is a front view thereof;
FIG. 4 is a rear view thereof;
FIG. 5 is a right side view thereof, the left side view being a mirror image of the right side;
FIG. 6 is a top view of the front panel with the load horn removed from the speaker box, shown separately for clarity of illustration;
FIG. 7 is a bottom view thereof;
FIG. 8 is a front view thereof;
FIG. 9 is a rear view thereof;
FIG. 10 is a right side view thereof, the left side view being a mirror image of the right side; and,
FIG. 11 is a front view of FIG. 3, with the front panel removed for clarity of illustration.

[30] Foreign Application Priority Data

Oct. 31, 1996 [JP] Japan 8-32921
Oct. 31, 1996 [JP] Japan 8-32922

[51] **LOC (6) Cl.** **14-01**

[52] **U.S. Cl.** **D14/214; D14/204**

[58] **Field of Search** D14/204, 208-216, D14/219, 221; 181/144-145, 147, 148, 150, 152-153, 157, 159, 198, 199; 381/24, 88, 90, 153, 159, 186, 188, 203, 205

[56] References Cited

U.S. PATENT DOCUMENTS

D. 242,552 11/1976 Maeda D14/214

1 Claim, 4 Drawing Sheets

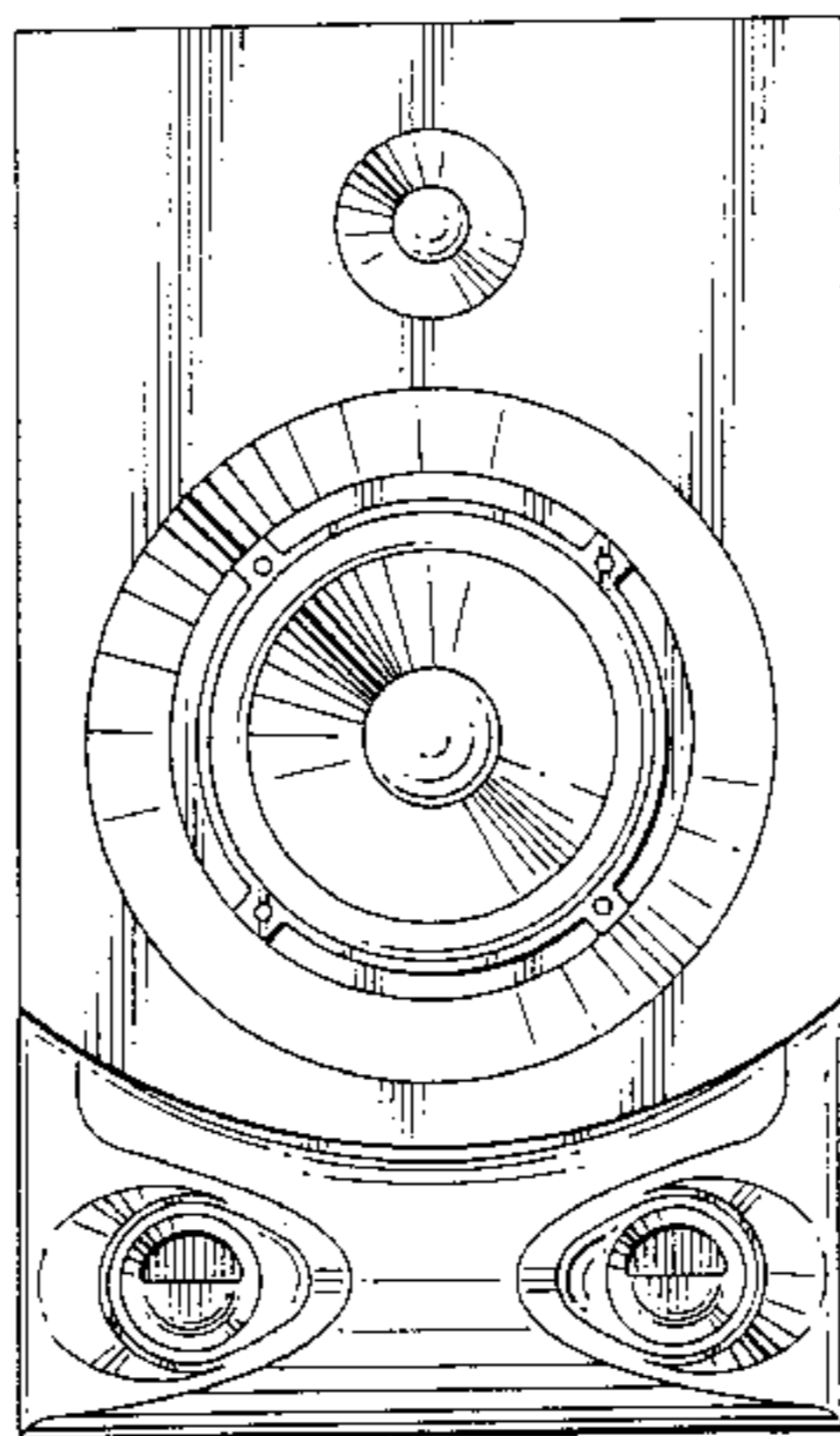
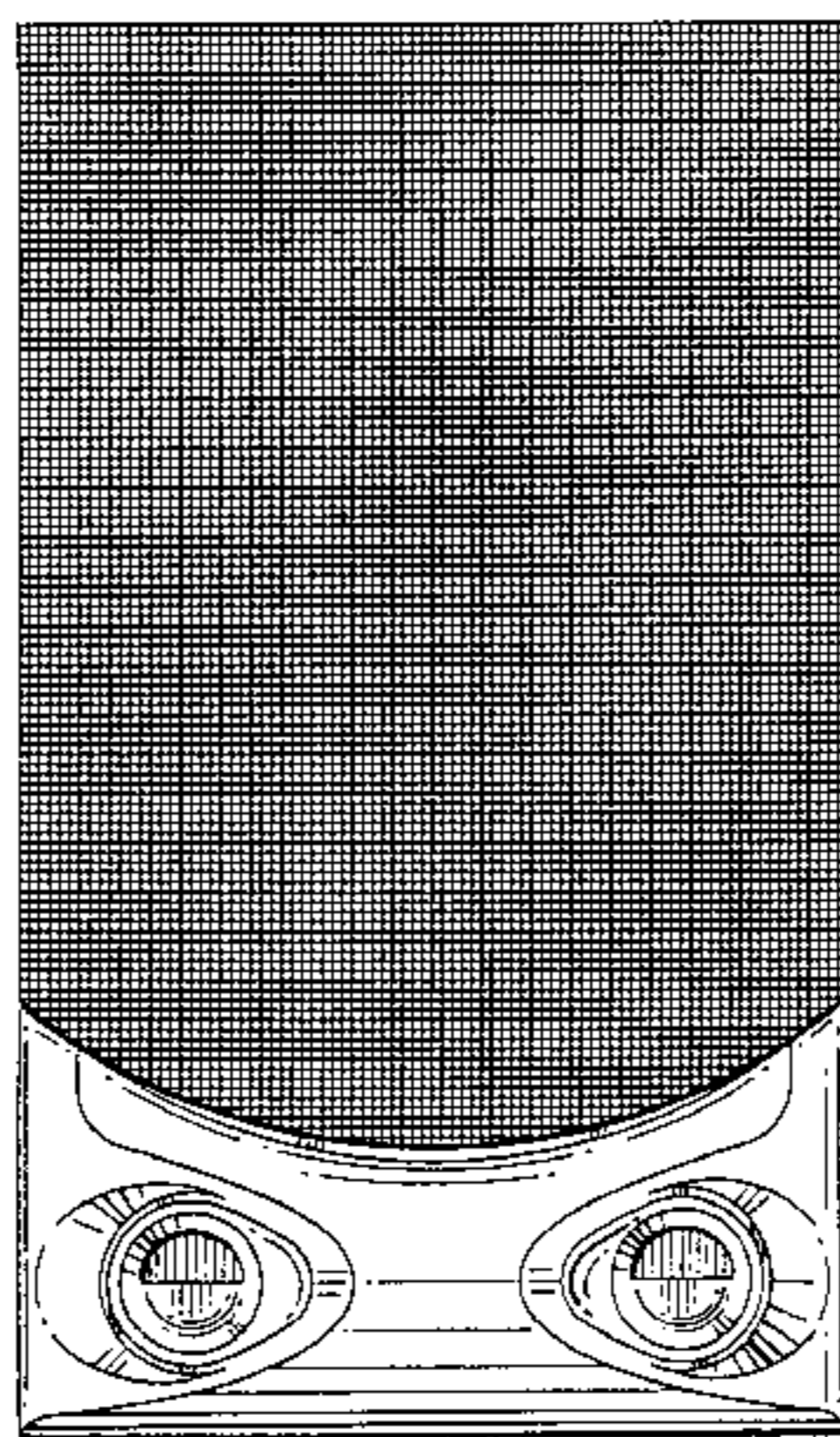


FIG. 1

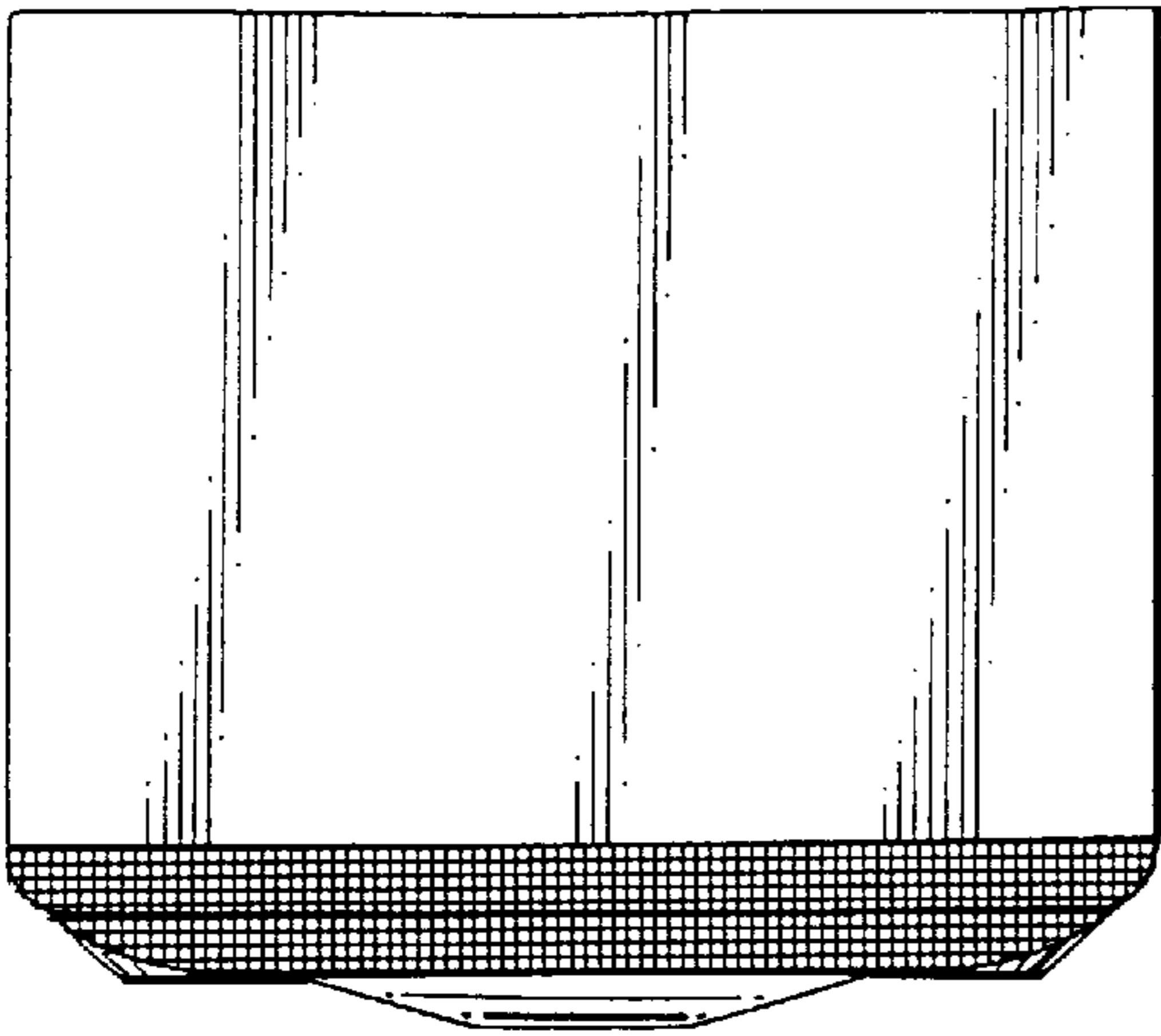


FIG. 2

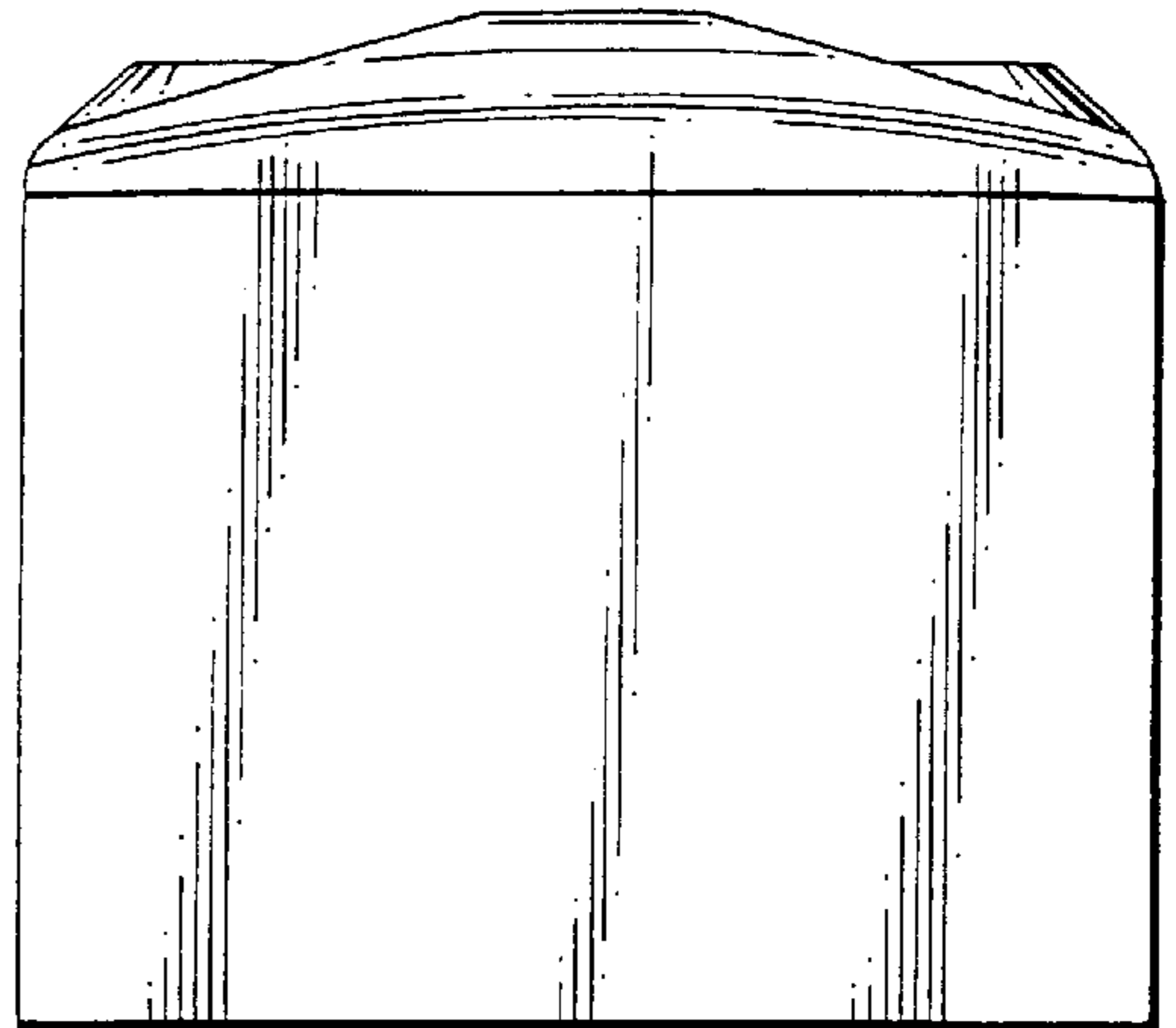


FIG. 3

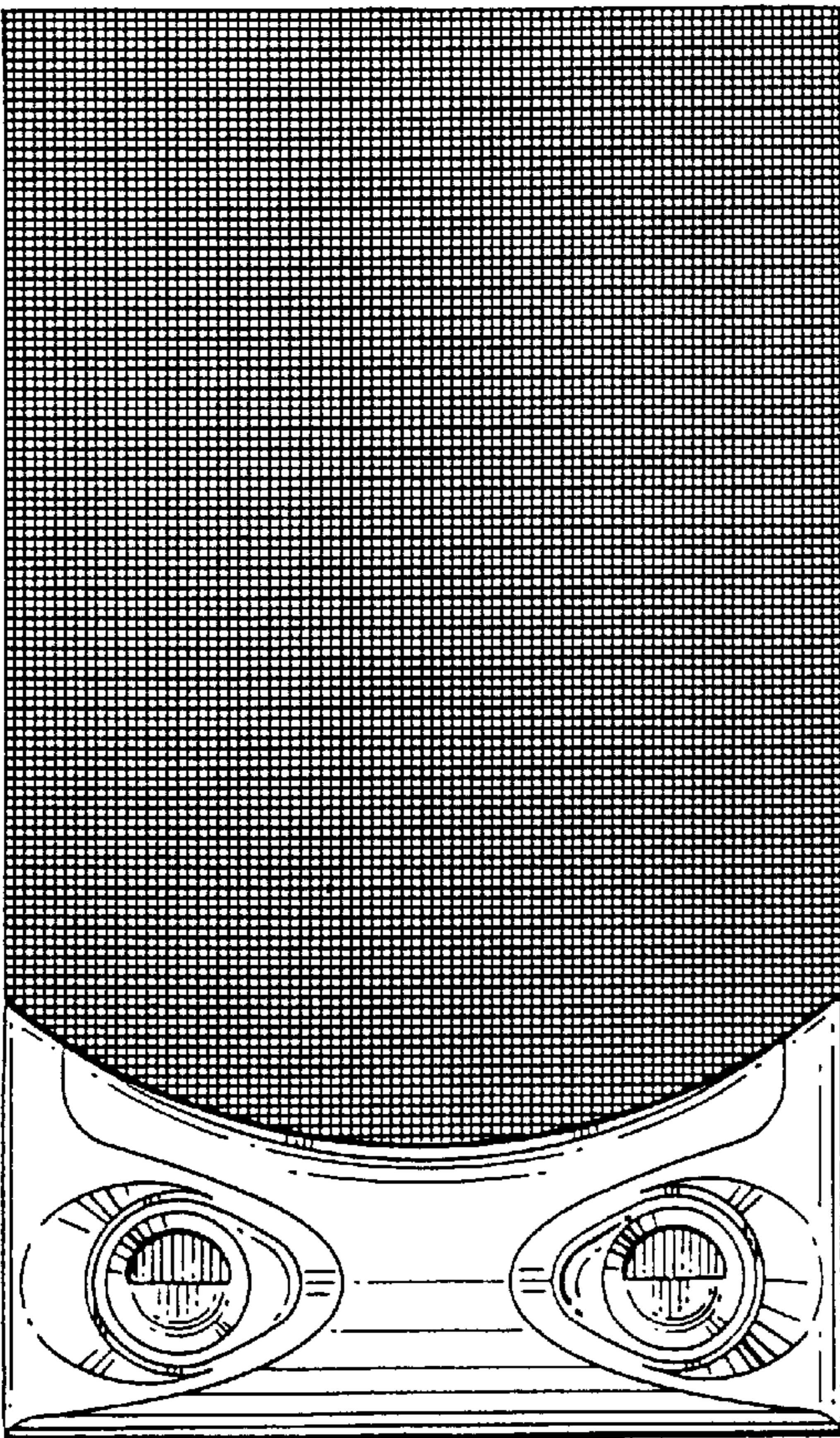


FIG. 4

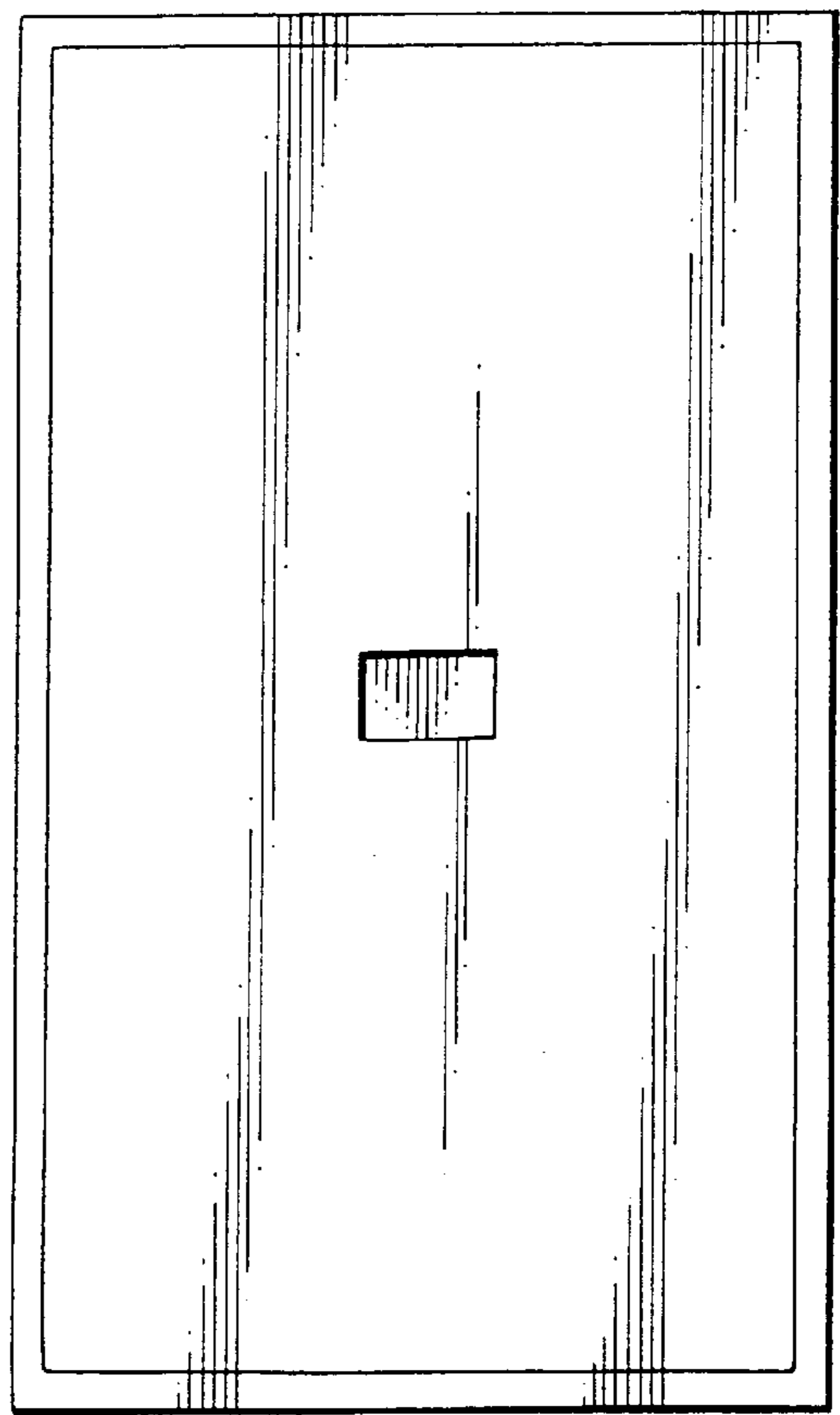


FIG. 5

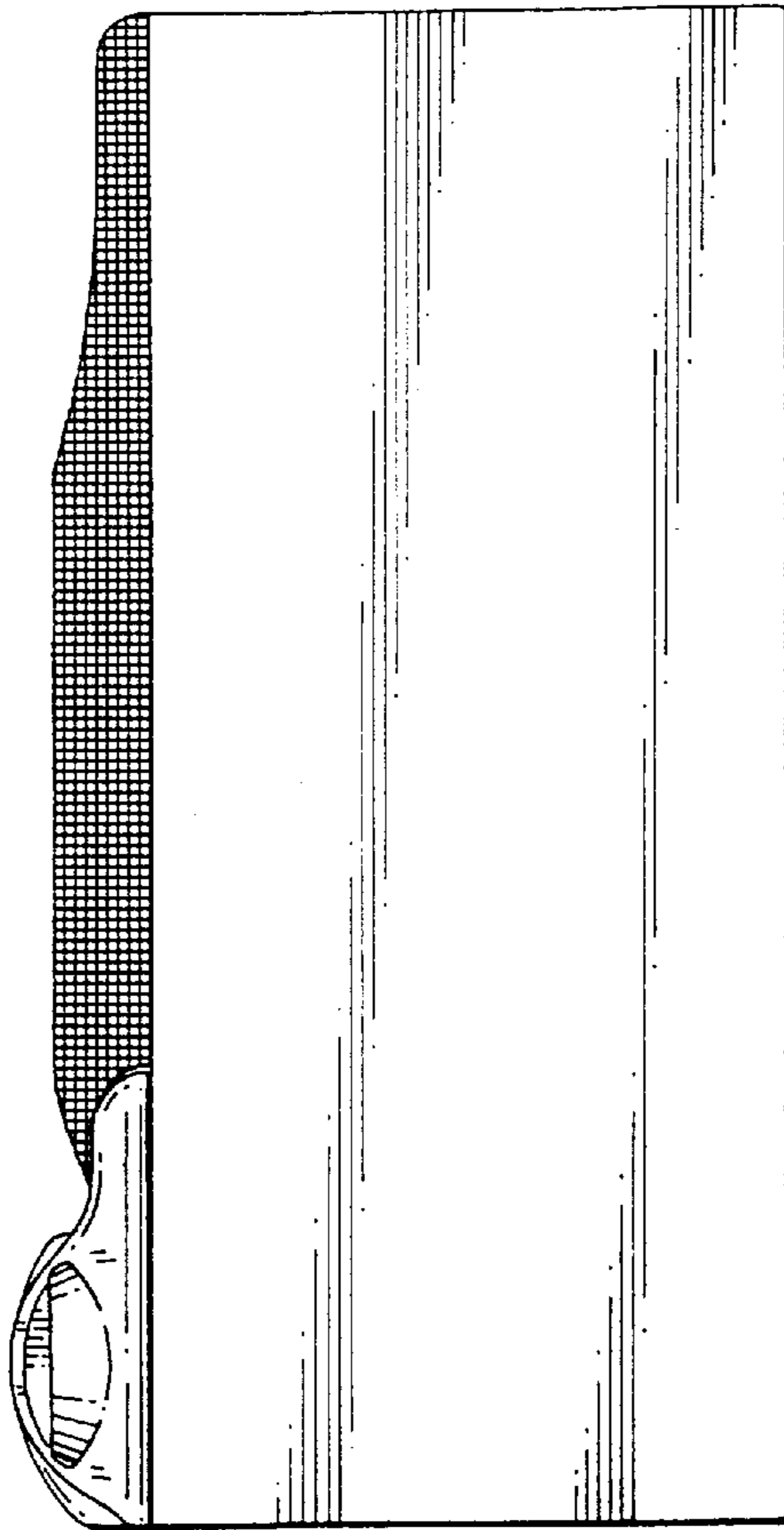


FIG. 6

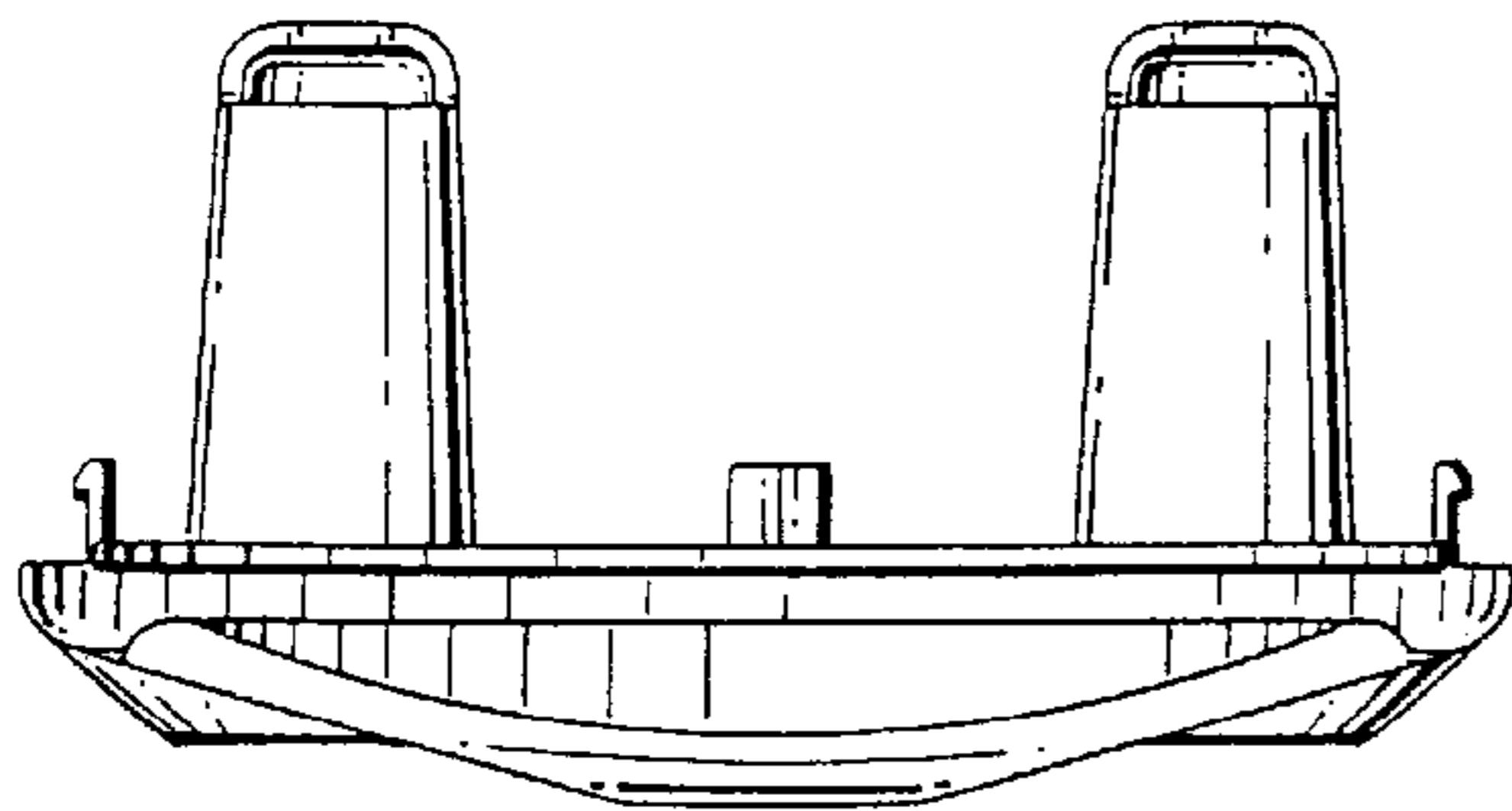


FIG. 7

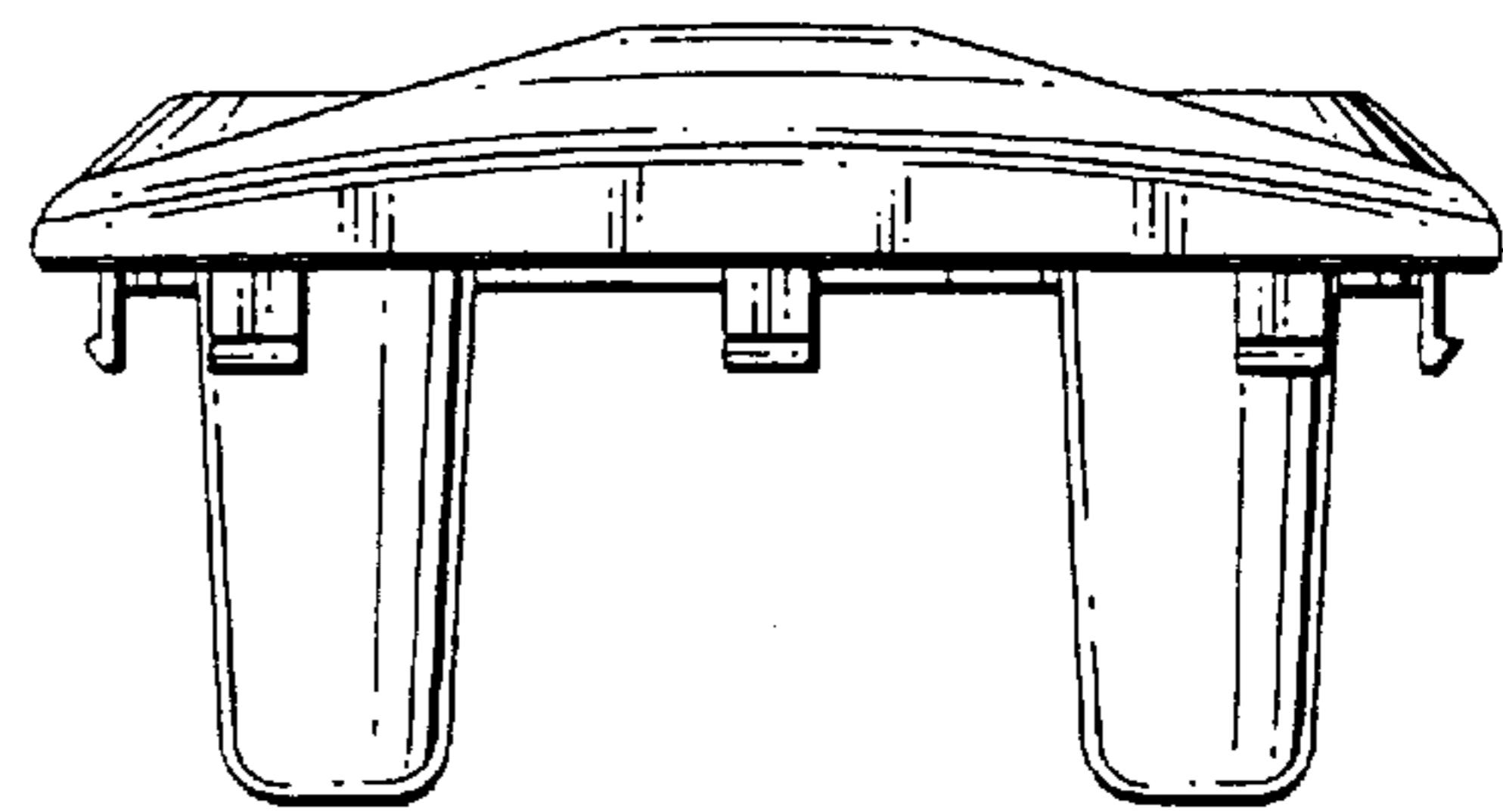


FIG. 8

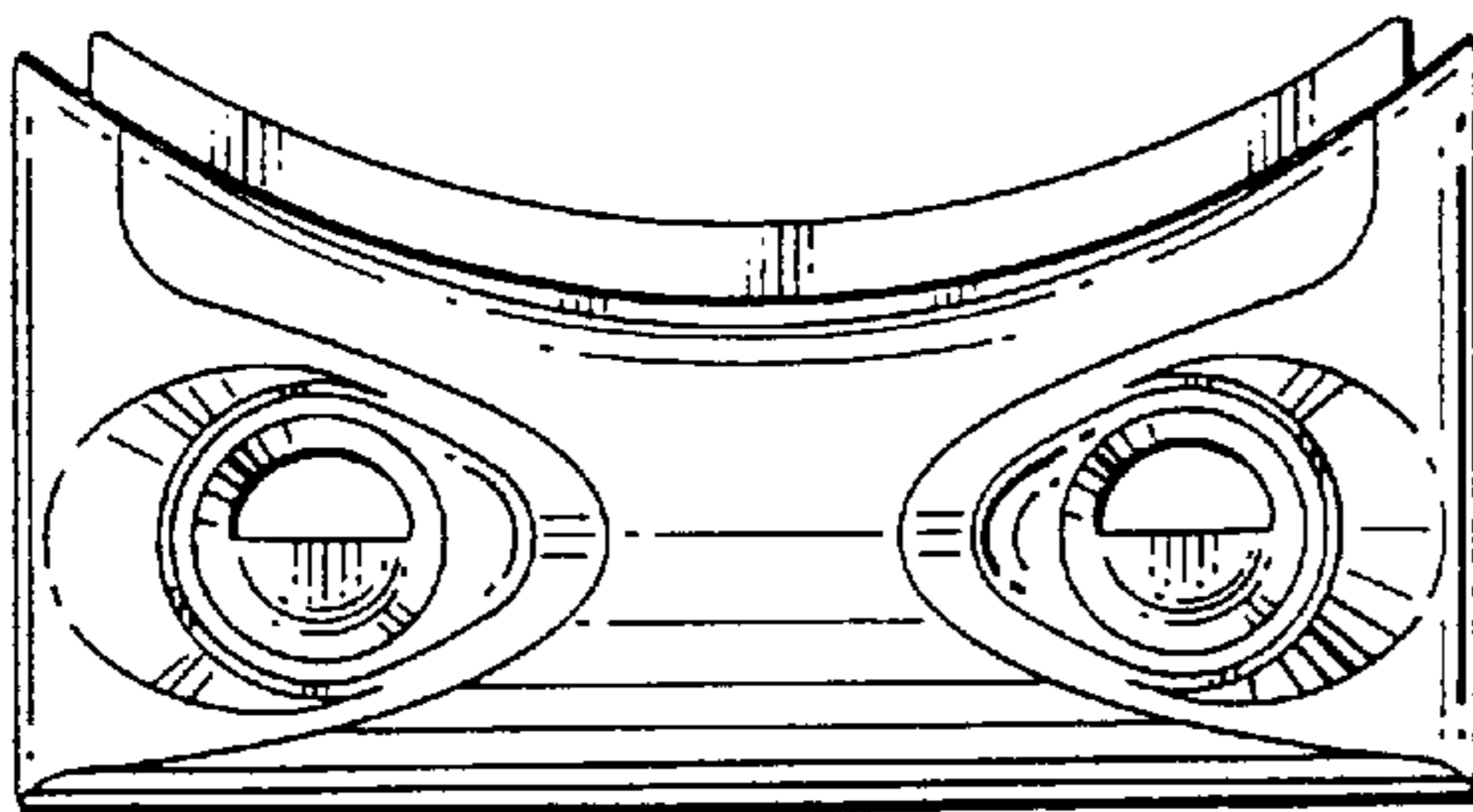


FIG. 9

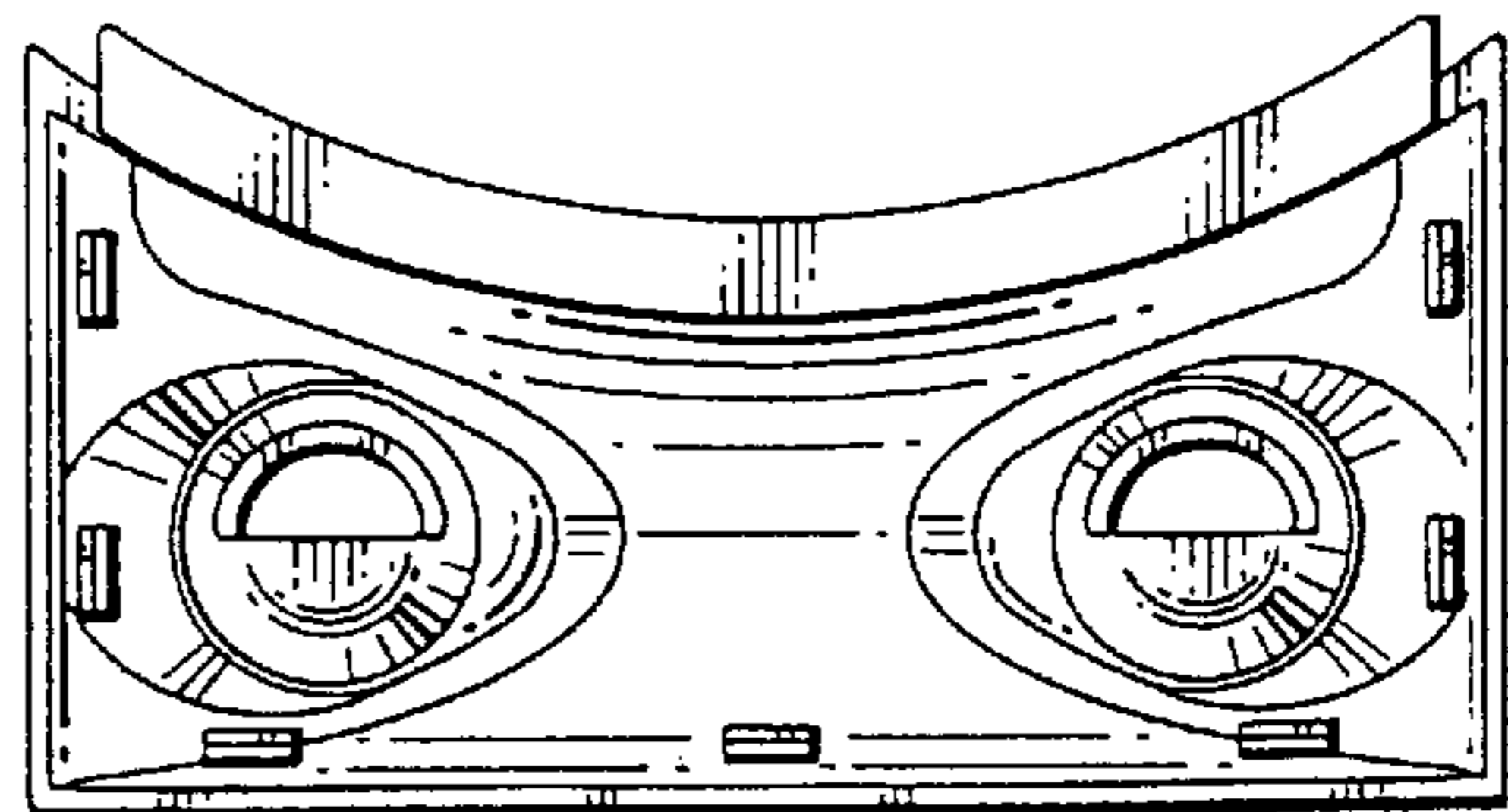


FIG.10

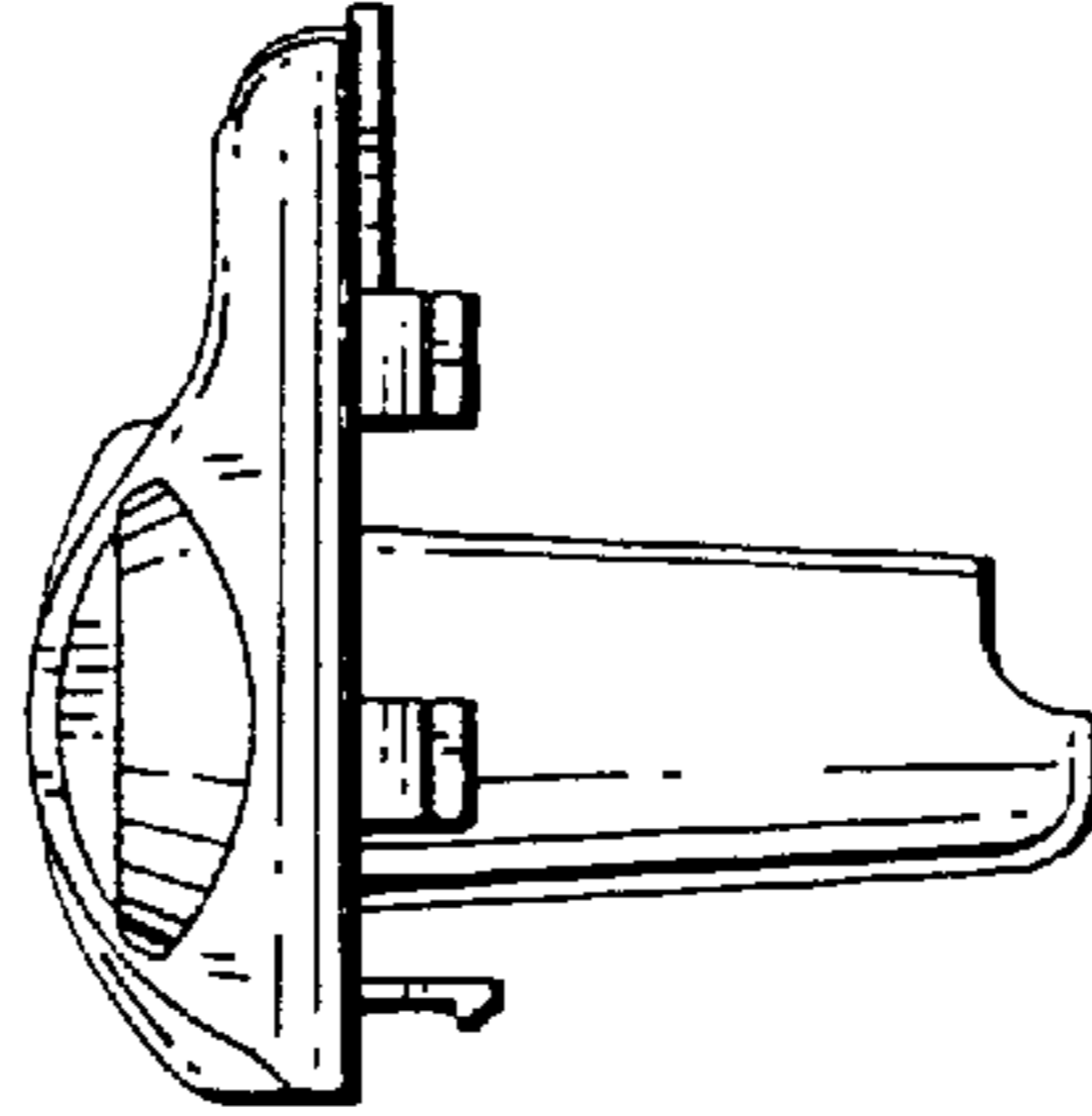


FIG.11

