



US00D405086S

United States Patent [19] Goto

[11] **Patent Number:** **Des. 405,086**

[45] **Date of Patent:** ****Feb. 2, 1999**

[54] **SPEAKER BOX**

[75] Inventor: **Teiyu Goto**, Tokyo, Japan

[73] Assignee: **Sony Corporation**, Tokyo, Japan

[**] Term: **14 Years**

[21] Appl. No.: **79,523**

[22] Filed: **Nov. 19, 1997**

[30] **Foreign Application Priority Data**

May 29, 1997	[JP]	Japan	9-55850
May 29, 1997	[JP]	Japan	9-55851

[51] **LOC (6) Cl.** **14-01**

[52] **U.S. Cl.** **D14/214; D14/211**

[58] **Field of Search** **D14/204, 209-214;**
181/144-145, 147-148, 150, 157, 198-199;
381/24, 88, 90, 159, 188

[56] **References Cited**

U.S. PATENT DOCUMENTS

D. 321,196	10/1991	Yamamoto	D14/211	X
D. 322,072	12/1991	Yamamoto	D14/210	X
D. 369,605	5/1996	Lin	D14/211	X
D. 378,092	2/1997	Boyd	D14/210	X

Primary Examiner—Philip S. Hyder
Assistant Examiner—Nanda Bondade
Attorney, Agent, or Firm—Foley & Lardner

[57] **CLAIM**

The ornamental design for a speaker box, as shown and described.

DESCRIPTION

FIG. 1 is a perspective view of a first embodiment of a speaker box showing my new design;
FIG. 2 is a top plan view thereof;
FIG. 3 is a front elevational view thereof, a rear elevational view thereof being a mirror image;
FIG. 4 is a right side elevational view thereof, a left side elevational view thereof being a mirror image;
FIG. 5 is a perspective view of a second embodiment of a speaker box showing my new design;
FIG. 6 is a top plan view thereof;
FIG. 7 is a left side elevational view thereof;
FIG. 8 is a front elevational view thereof;
FIG. 9 is a bottom plan view thereof;
FIG. 10 is a right side elevational view thereof; and,
FIG. 11 is a rear elevational view thereof.

1 Claim, 5 Drawing Sheets

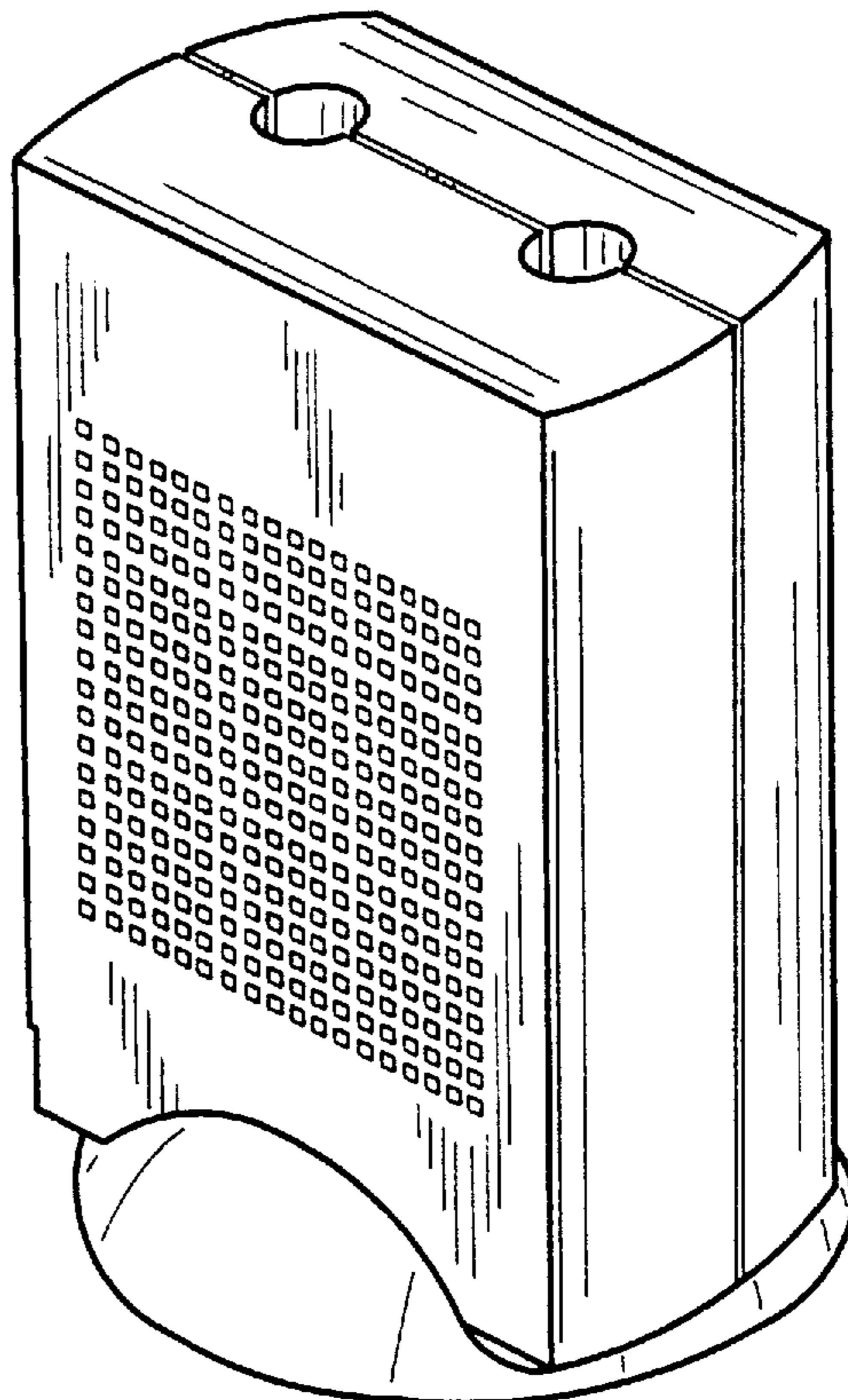
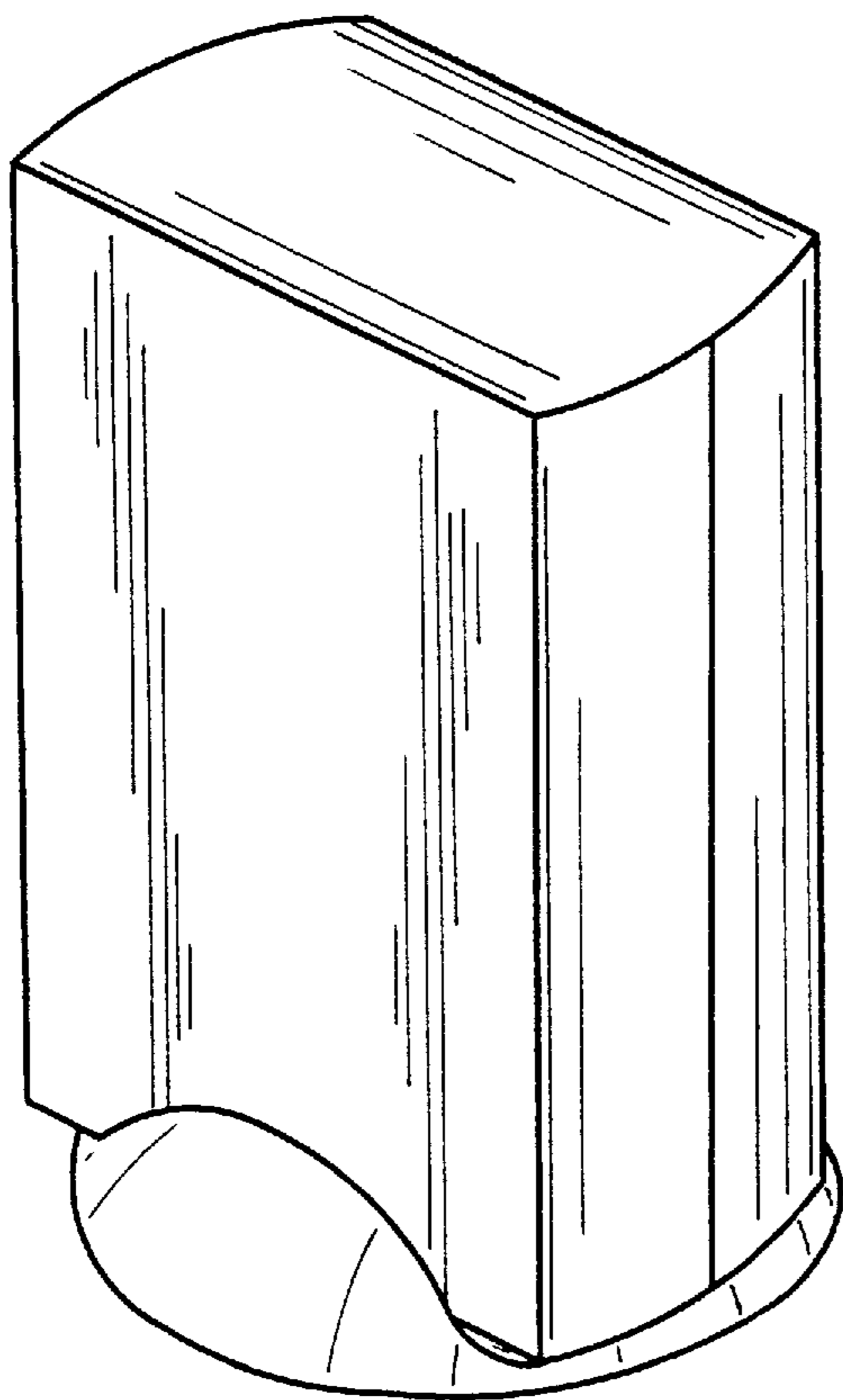


FIG. 1

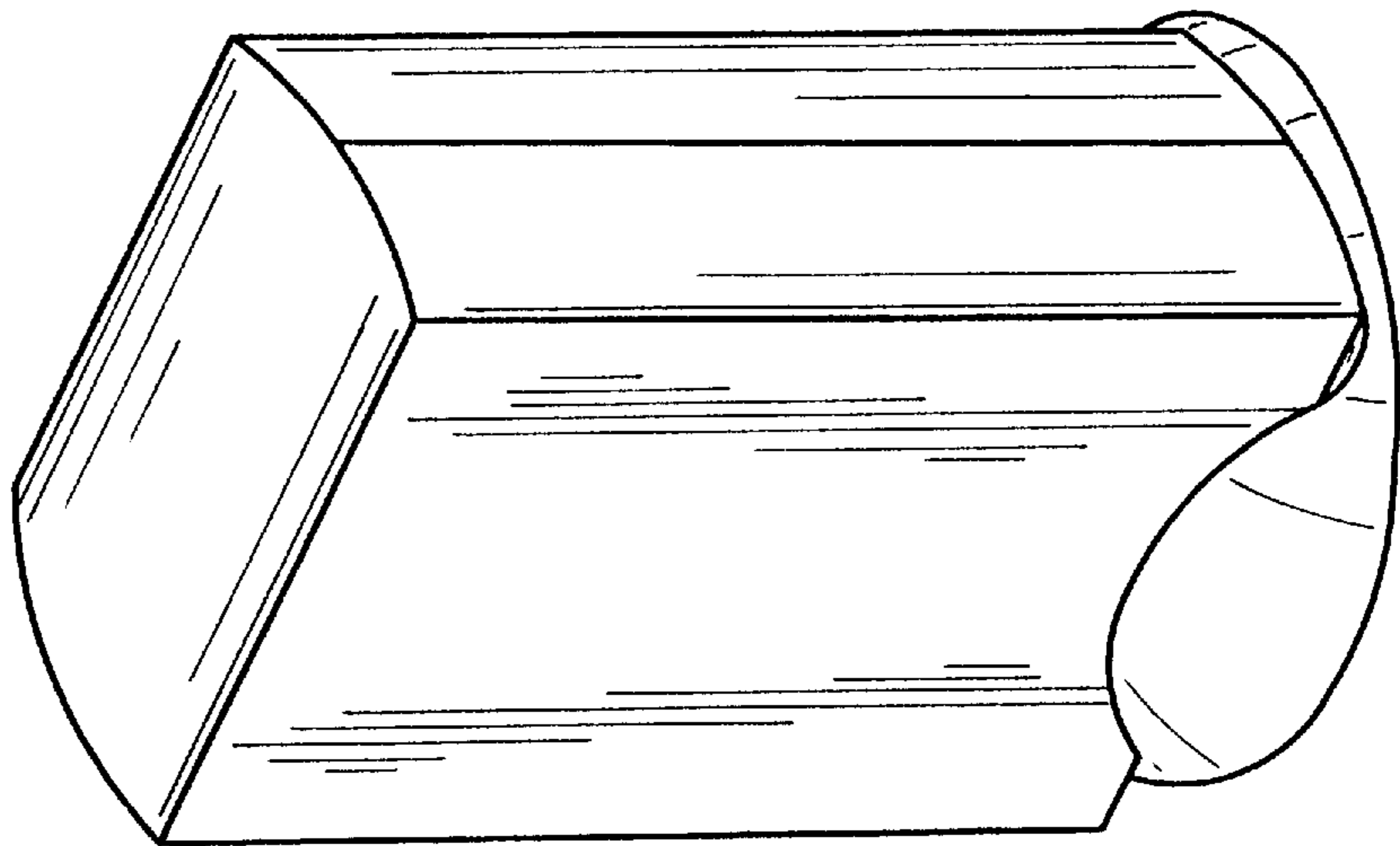


FIG. 2

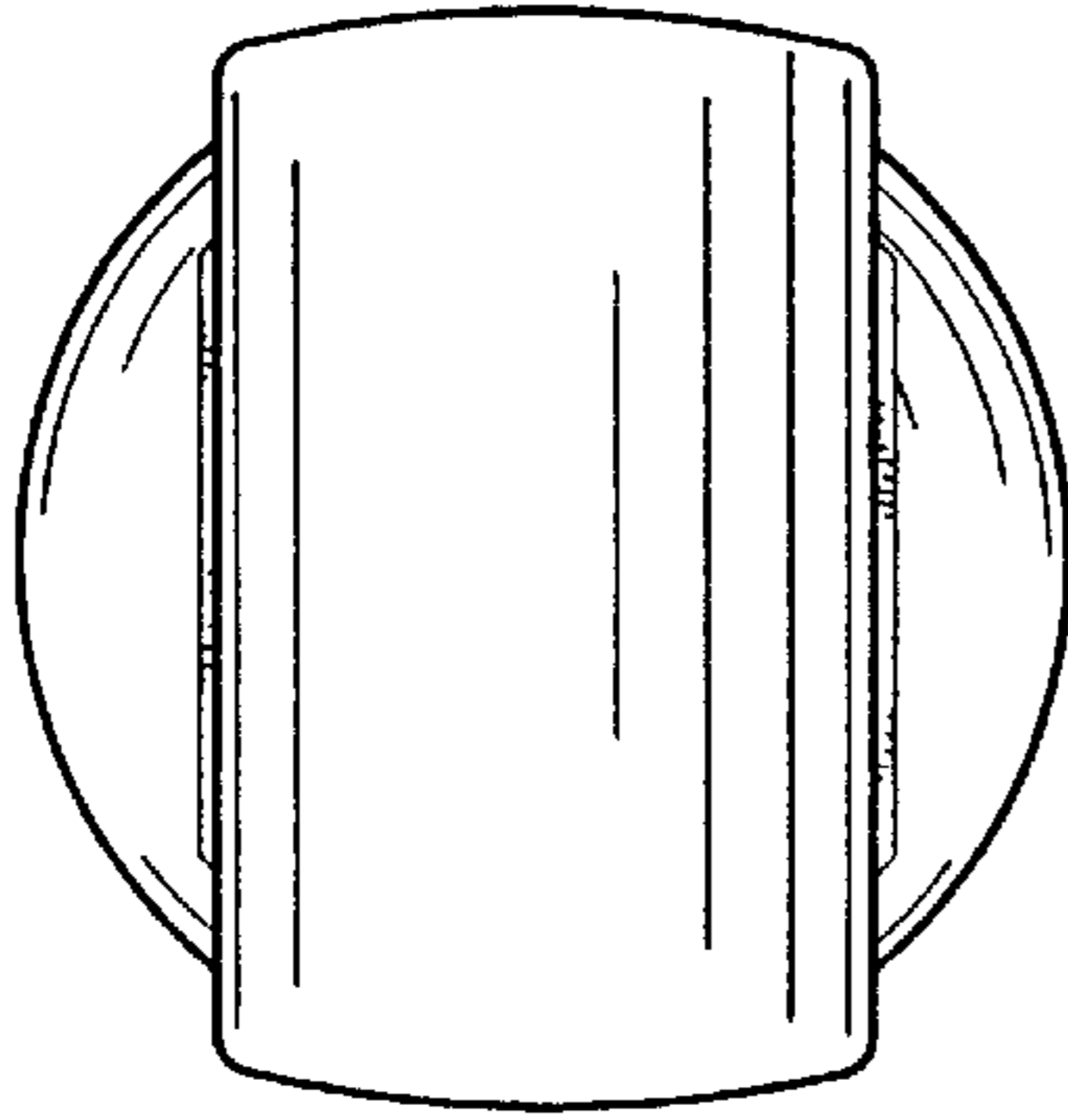


FIG. 3

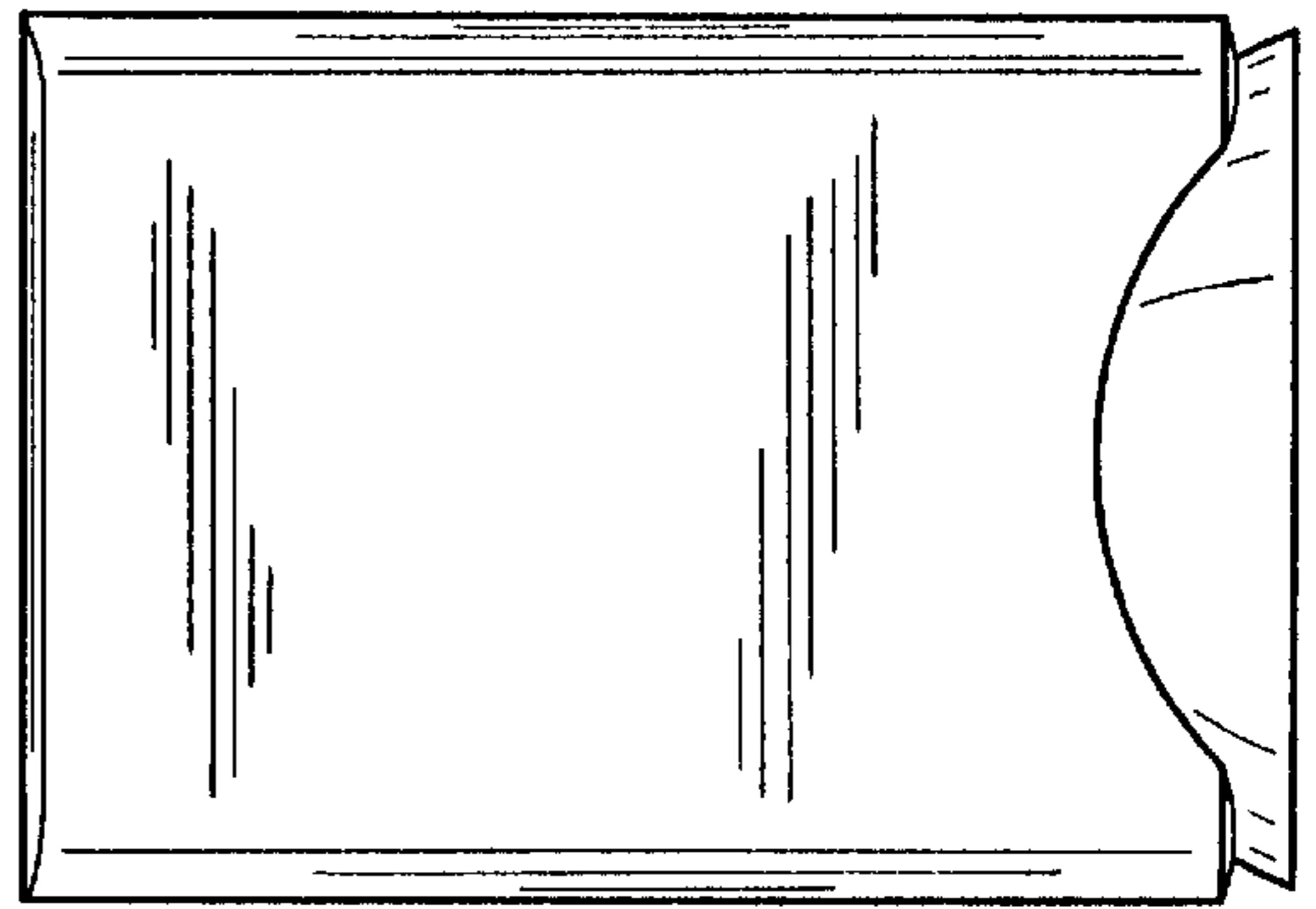


FIG. 4

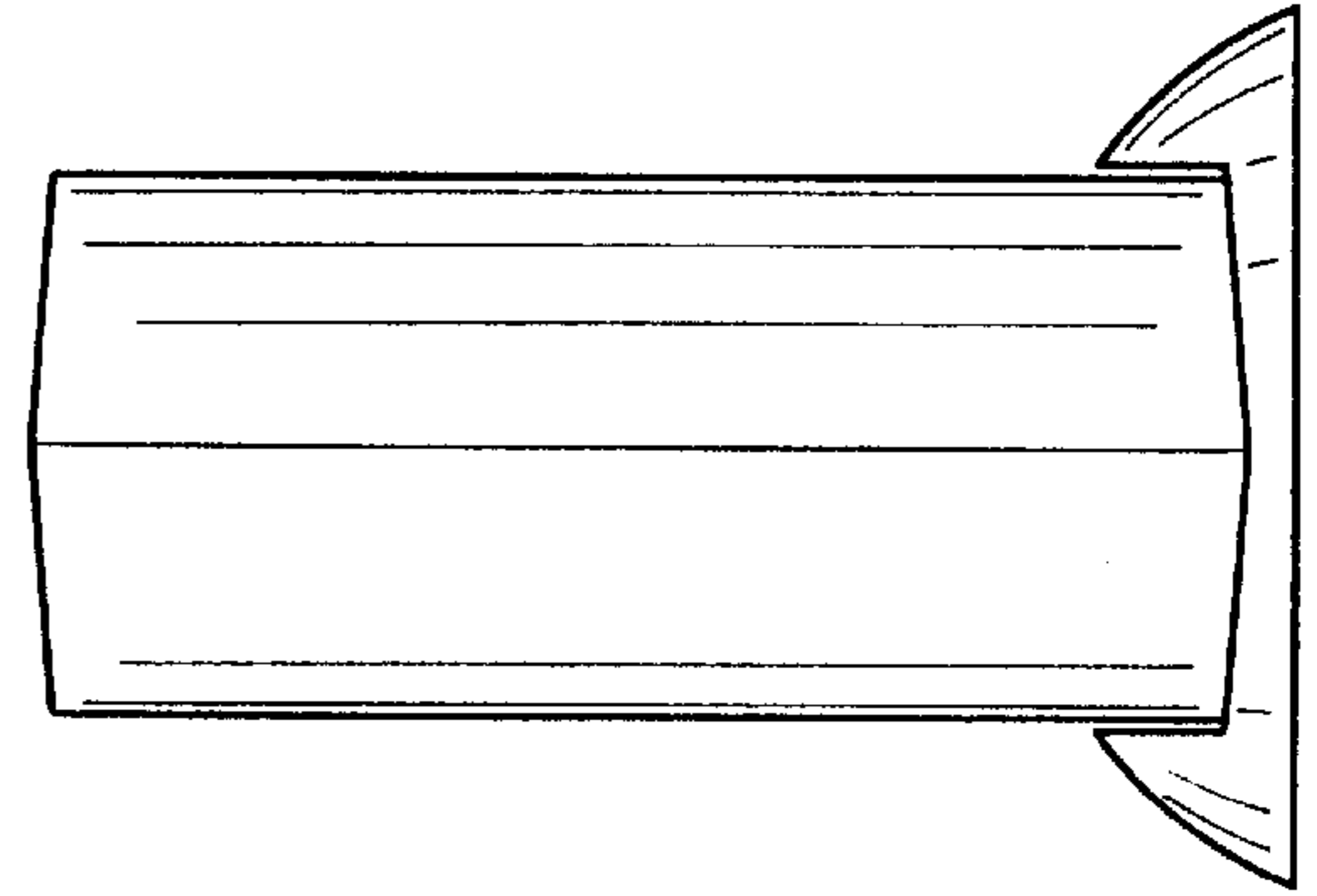


FIG. 5

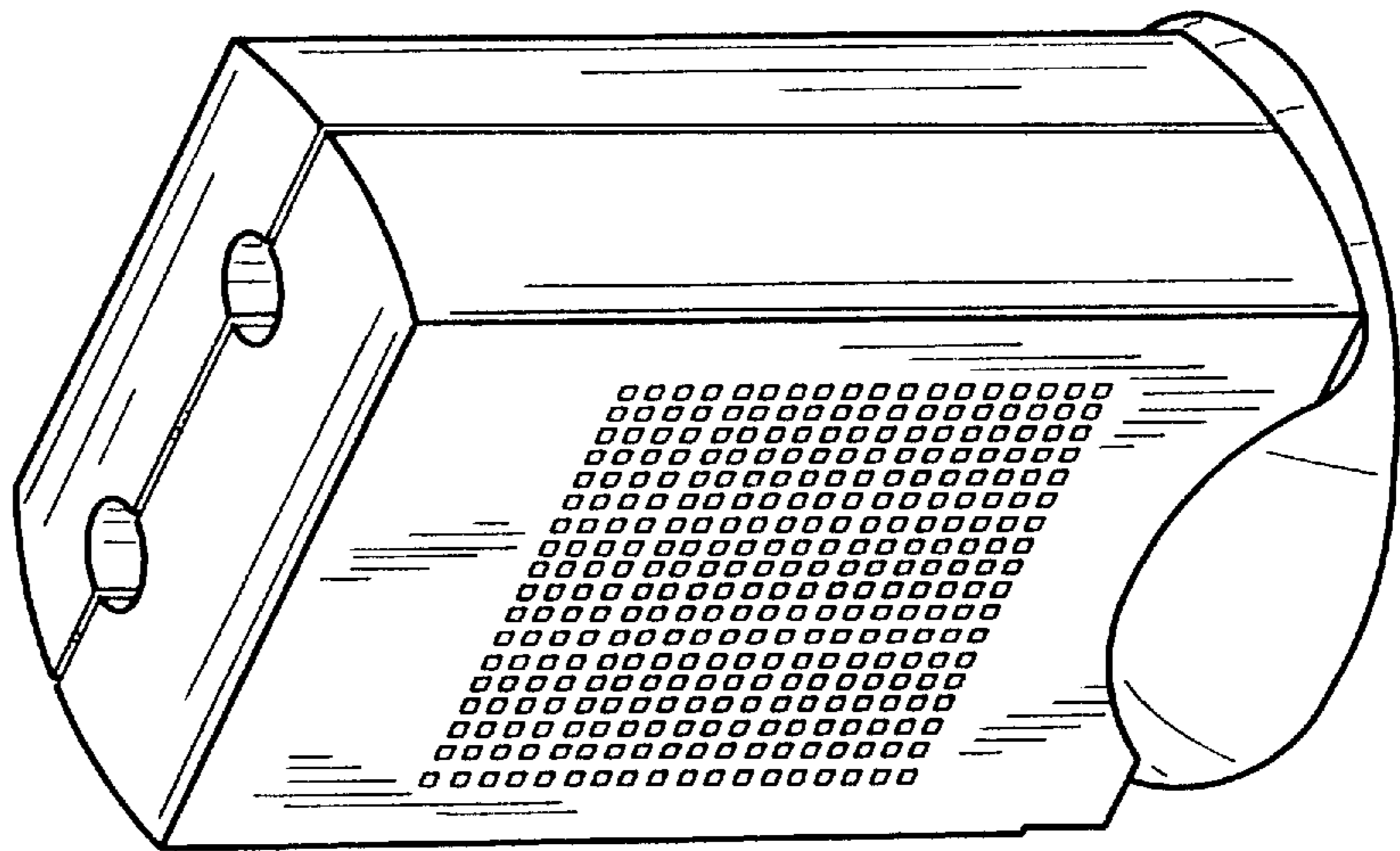


FIG. 6

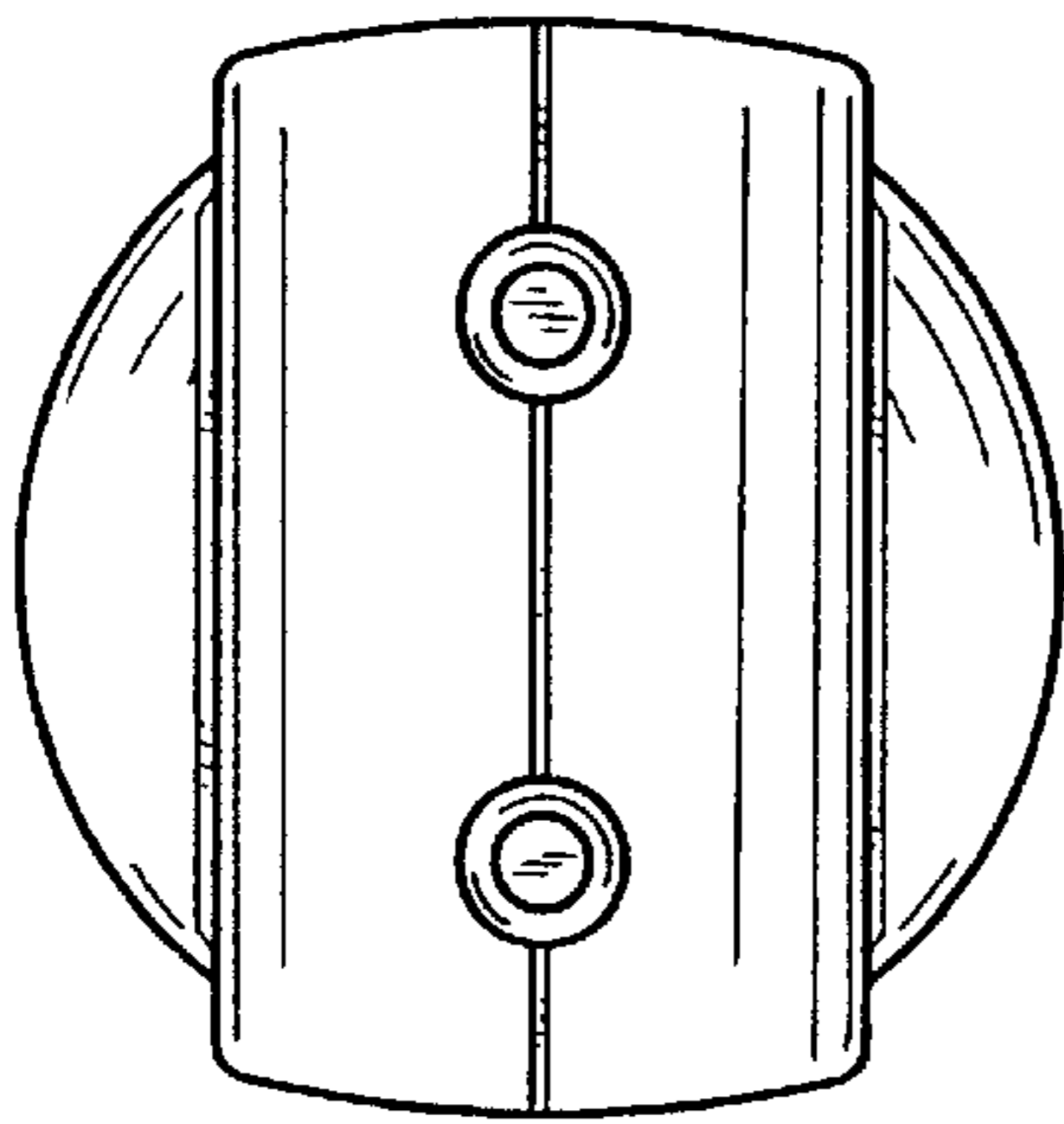


FIG. 8

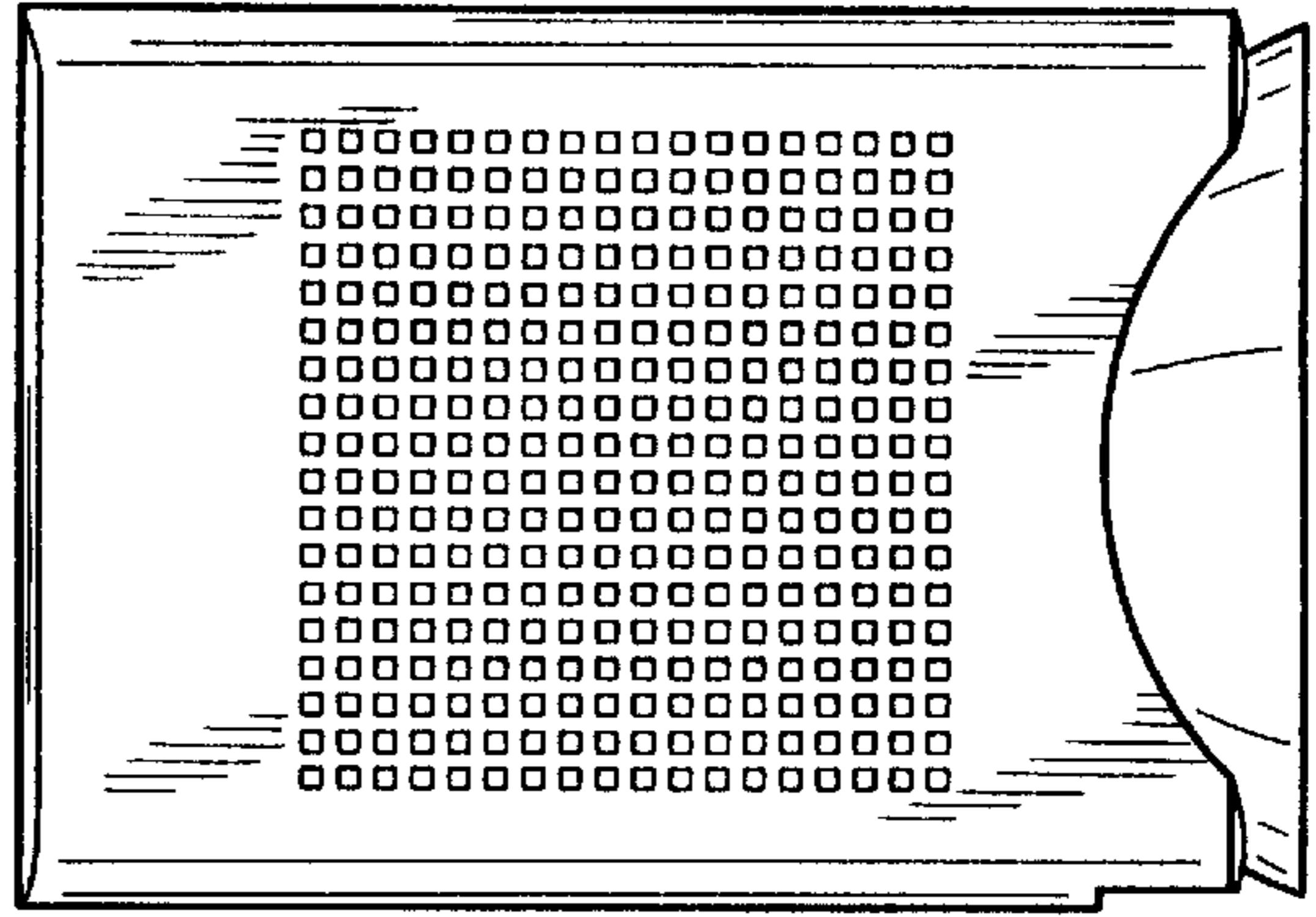


FIG. 7

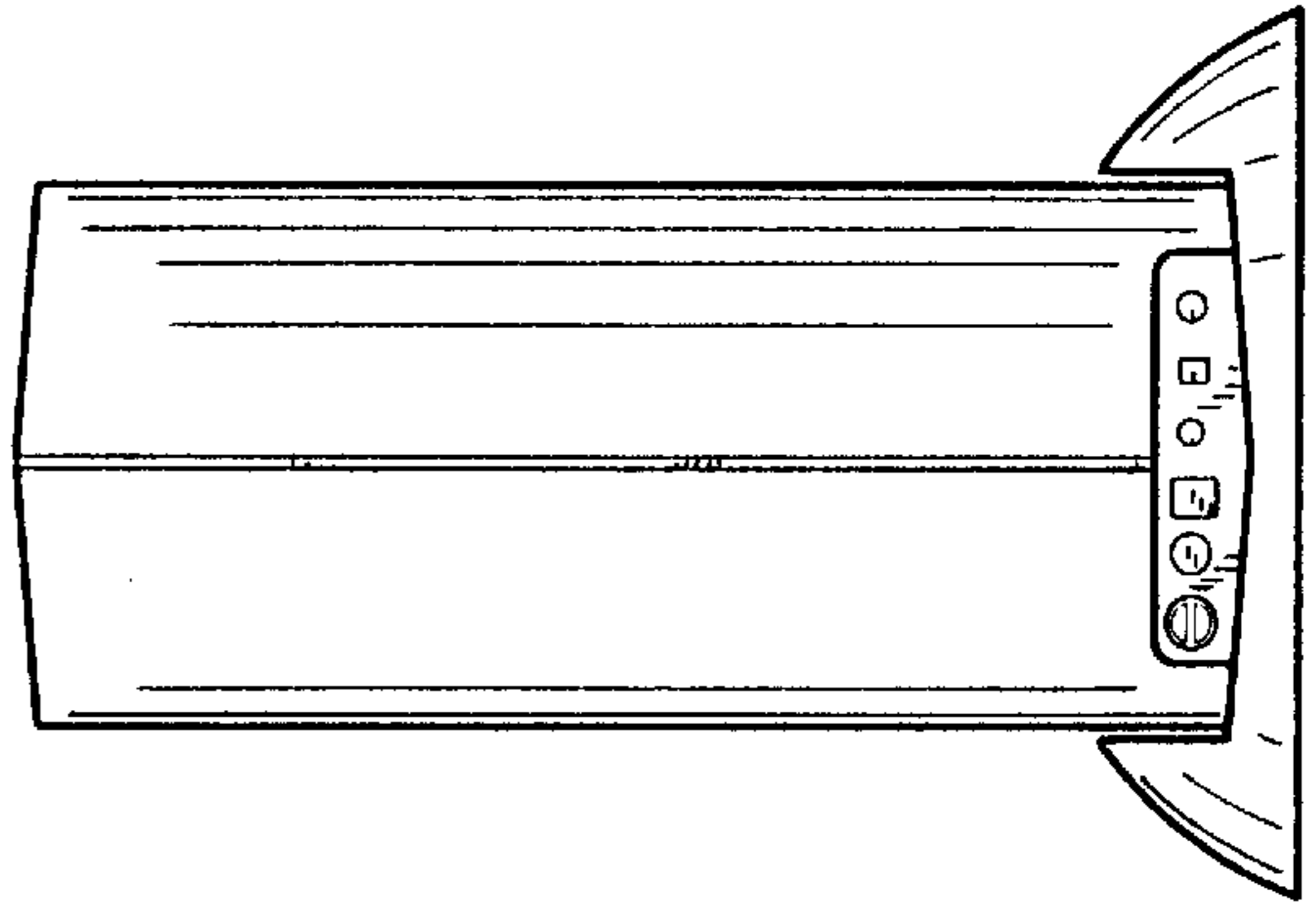


FIG. 11

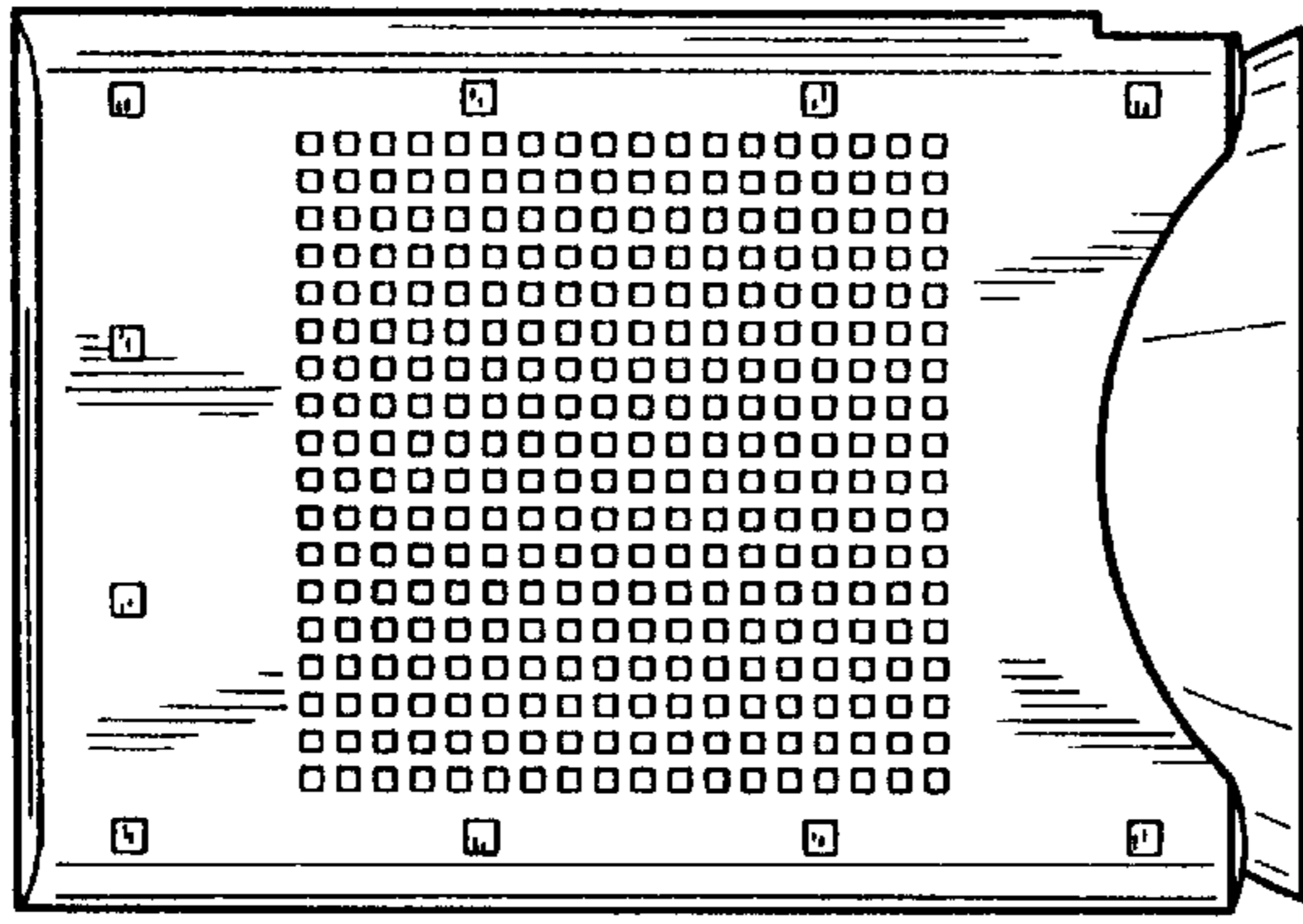


FIG. 9

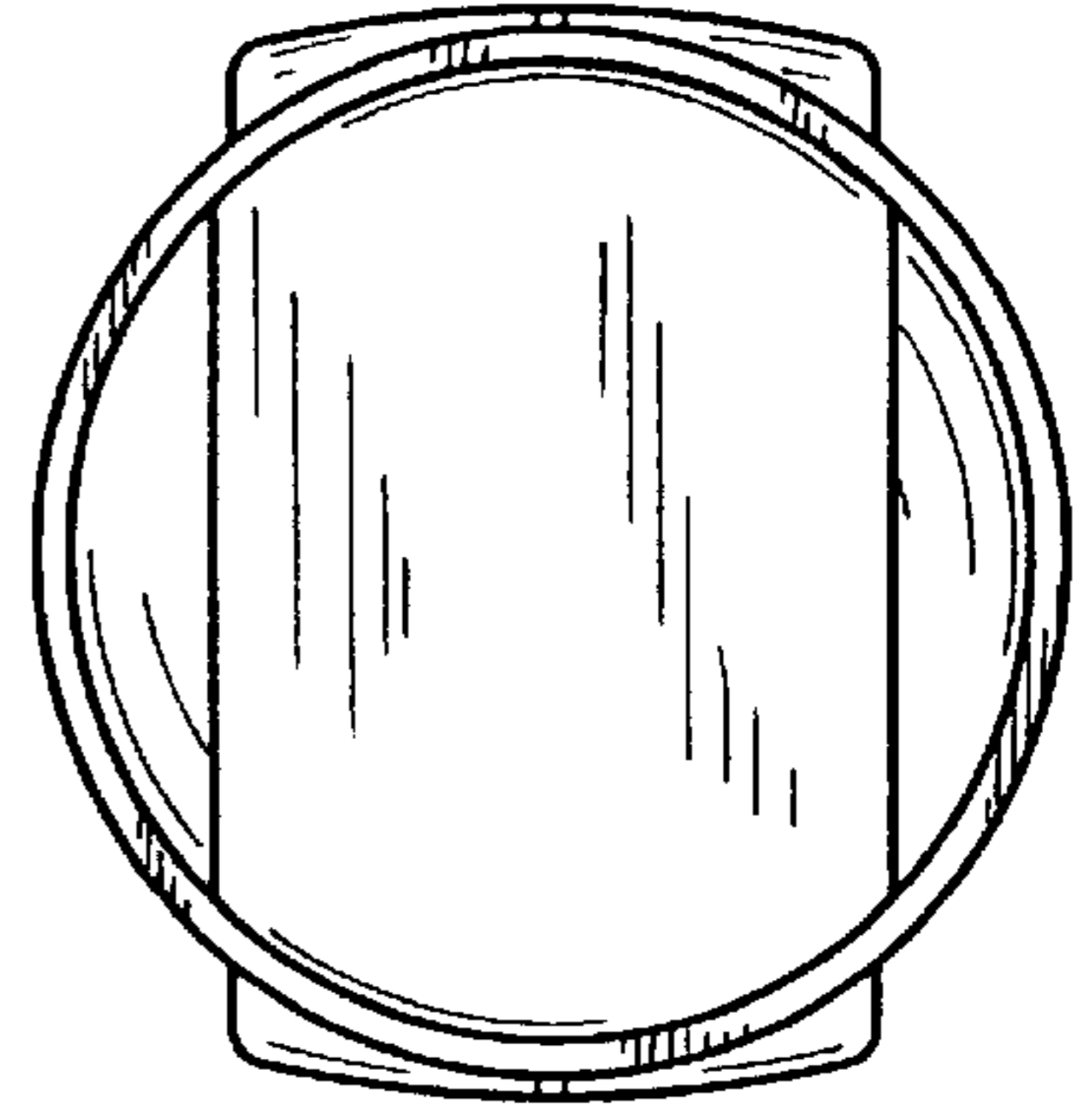


FIG. 10

