



US00D405083S

# United States Patent [19]

Choy et al.

[11] **Patent Number:** **Des. 405,083**

[45] **Date of Patent:** **\*\*Feb. 2, 1999**

[54] **COMMUNICATION DEVICE**

D. 364,870 12/1995 Scheid et al. .... D14/191  
D. 373,125 8/1996 Khoo ..... D14/191

[75] Inventors: **Chong Heng Choy; Wai Kee Chan; Piak Choon Mok**, all of Singapore, Singapore

*Primary Examiner*—Sandra L. Morris  
*Assistant Examiner*—Nanda Bondade  
*Attorney, Agent, or Firm*—James A. Lamb

[73] Assignee: **Motorola, Inc.**, Schaumburg, Ill.

[\*\*] Term: **14 Years**

[57] **CLAIM**

[21] Appl. No.: **68,755**

The ornamental design for a communication device, as shown and described.

[22] Filed: **Mar. 31, 1997**

**DESCRIPTION**

[30] **Foreign Application Priority Data**

Nov. 1, 1996 [GB] United Kingdom ..... 2060507

FIG. 1 is a top plan view of the communication device showing our new design;

[51] **LOC (6) Cl.** ..... **14-03**

FIG. 2 is a front view thereof;

[52] **U.S. Cl.** ..... **D14/191**

FIG. 3 is a bottom plan view thereof;

[58] **Field of Search** ..... D14/124, 188, D14/191, 192, 299; 340/311.1; 455/38.1-38.4, 90, 92, 100, 128, 344

FIG. 4 is a left side view thereof;

FIG. 5 is a right side view thereof;

FIG. 6 is a rear view thereof; and,

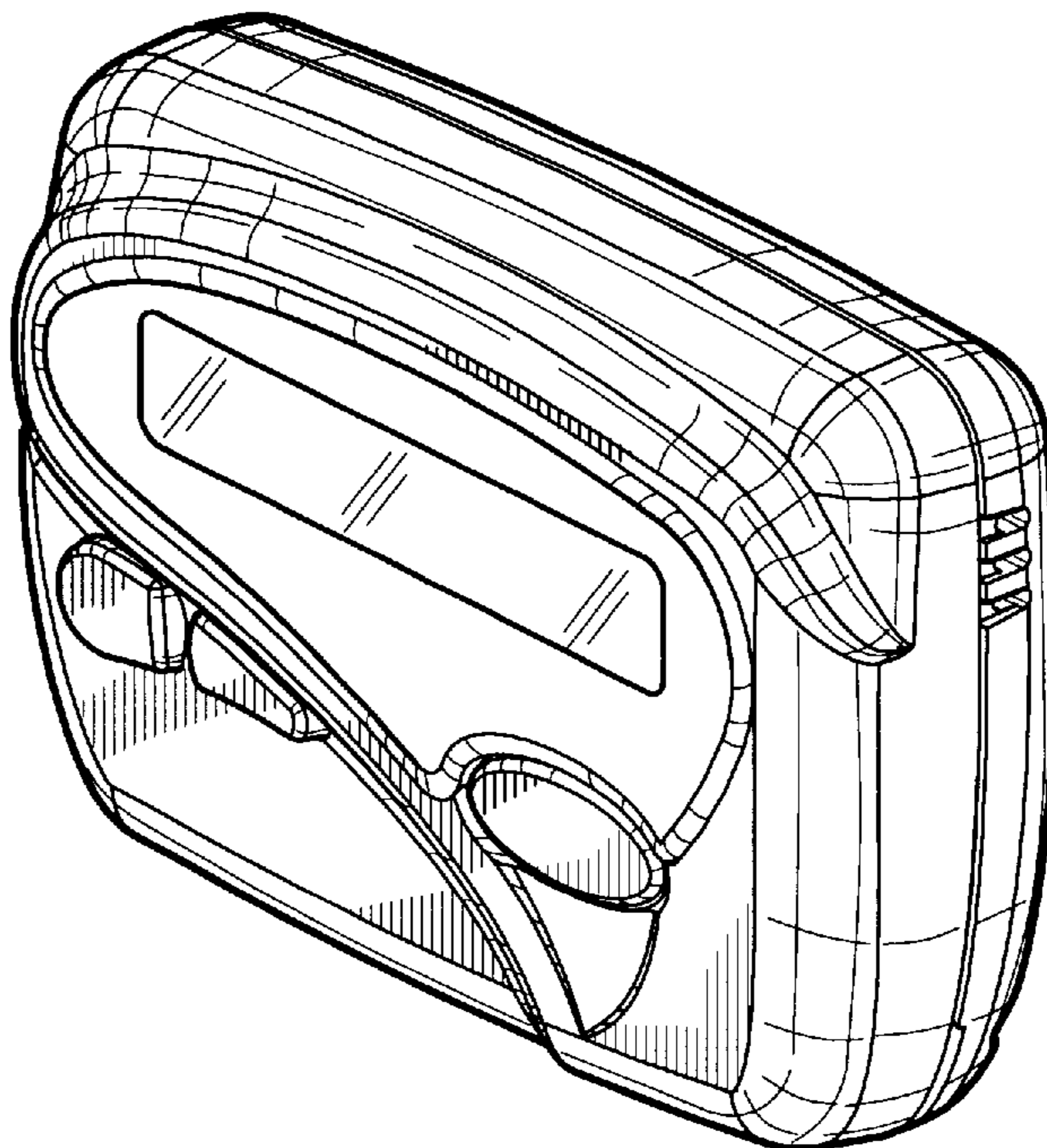
FIG. 7 is a perspective view thereof.

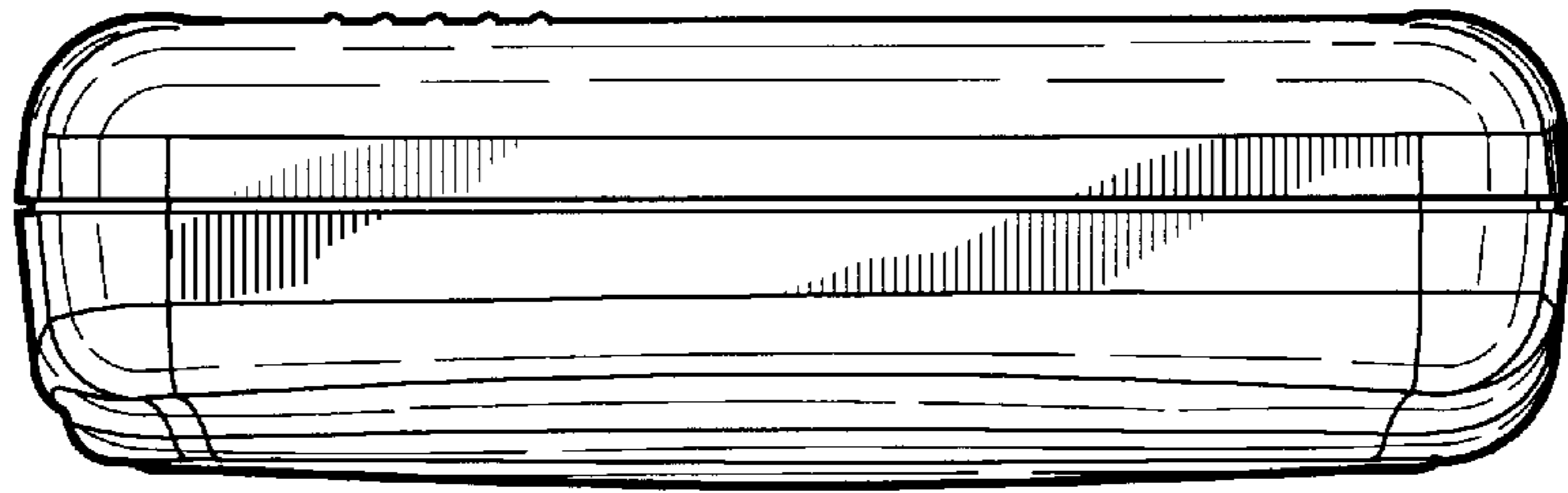
[56] **References Cited**

**U.S. PATENT DOCUMENTS**

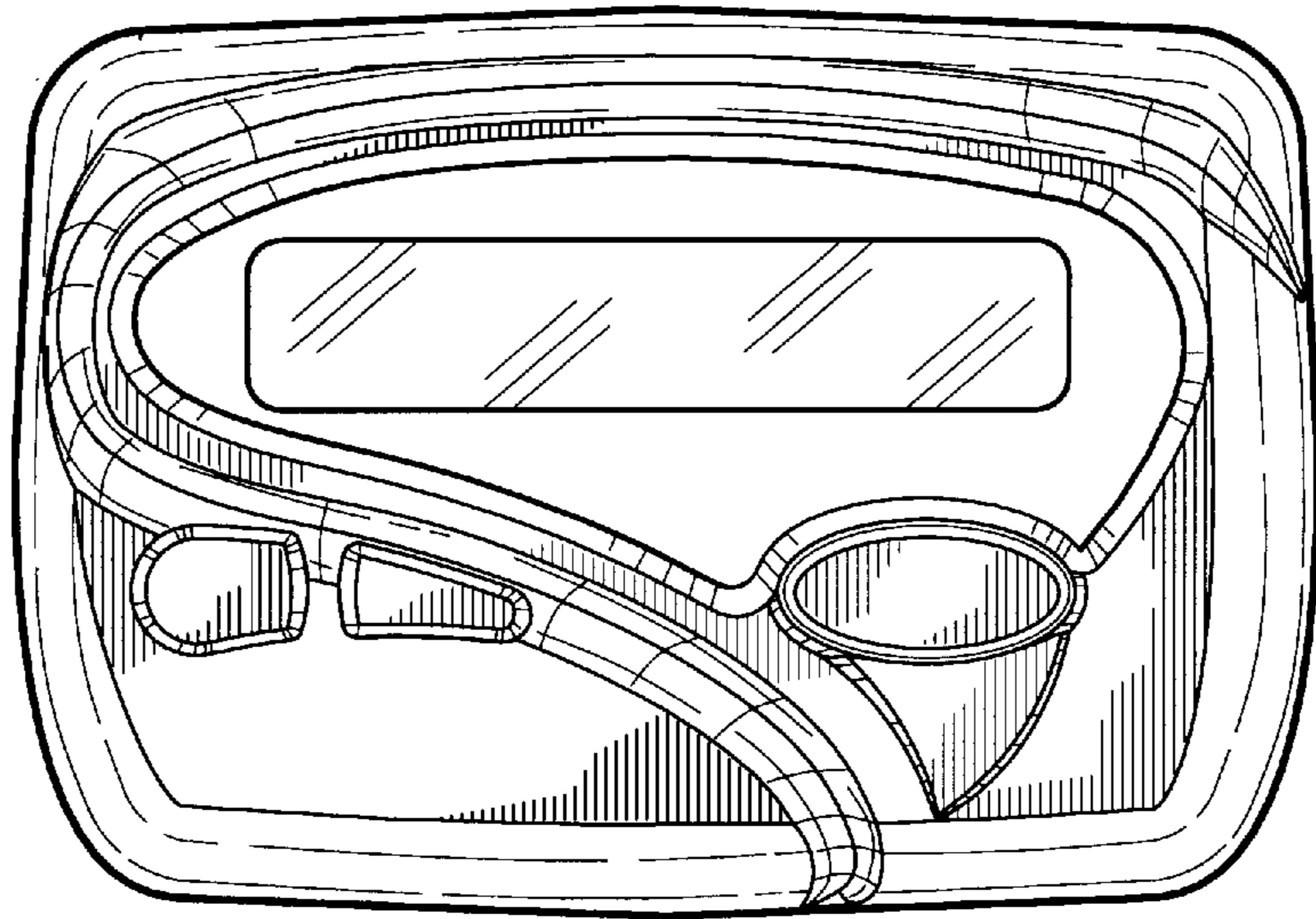
D. 359,736 6/1995 Ishibashi et al. .... D14/191

**1 Claim, 3 Drawing Sheets**

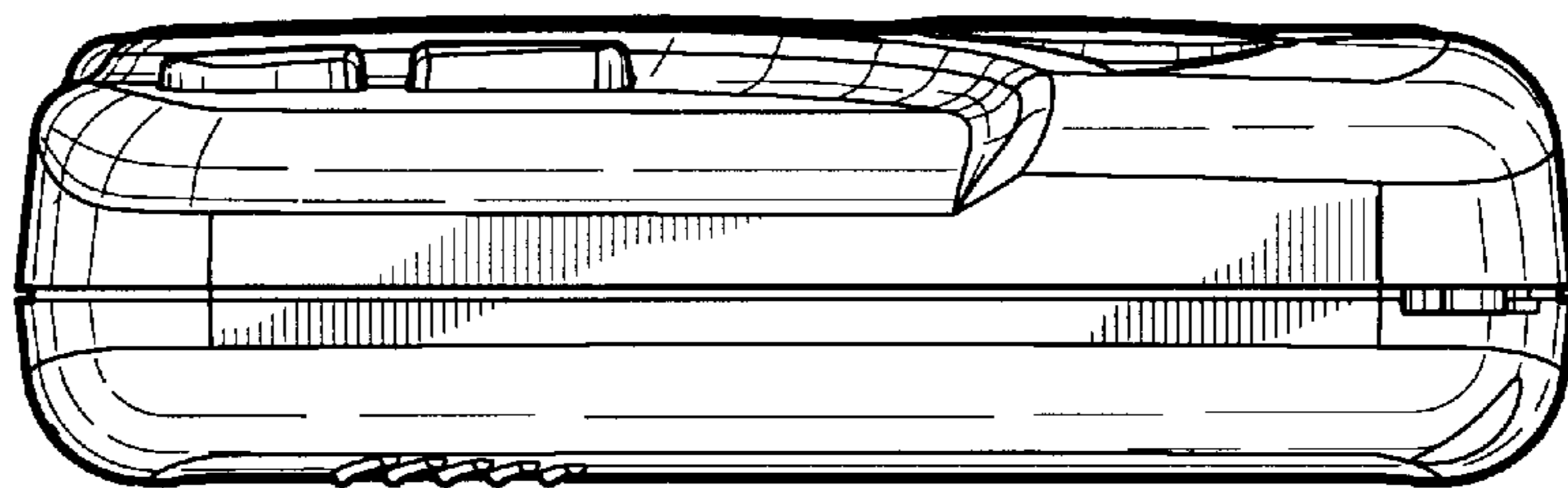




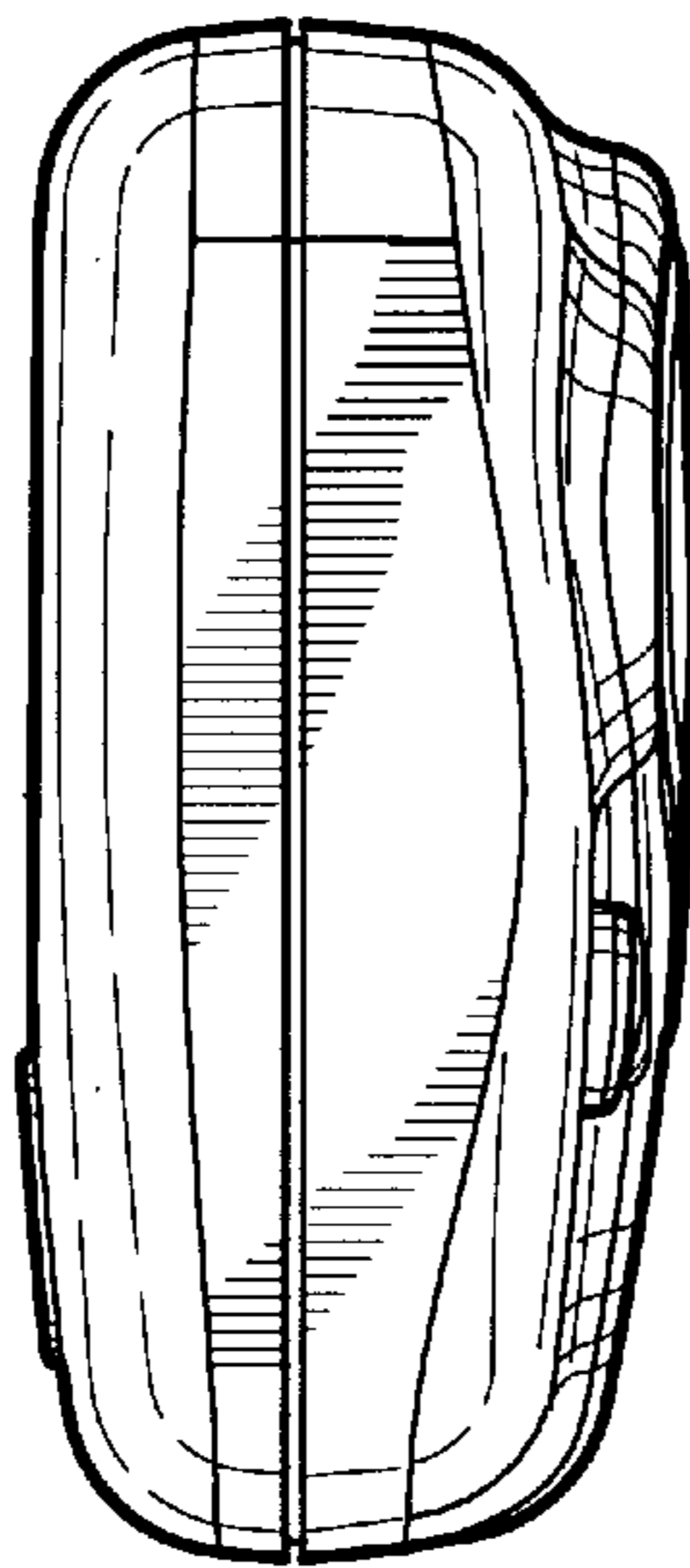
*FIG. 1*



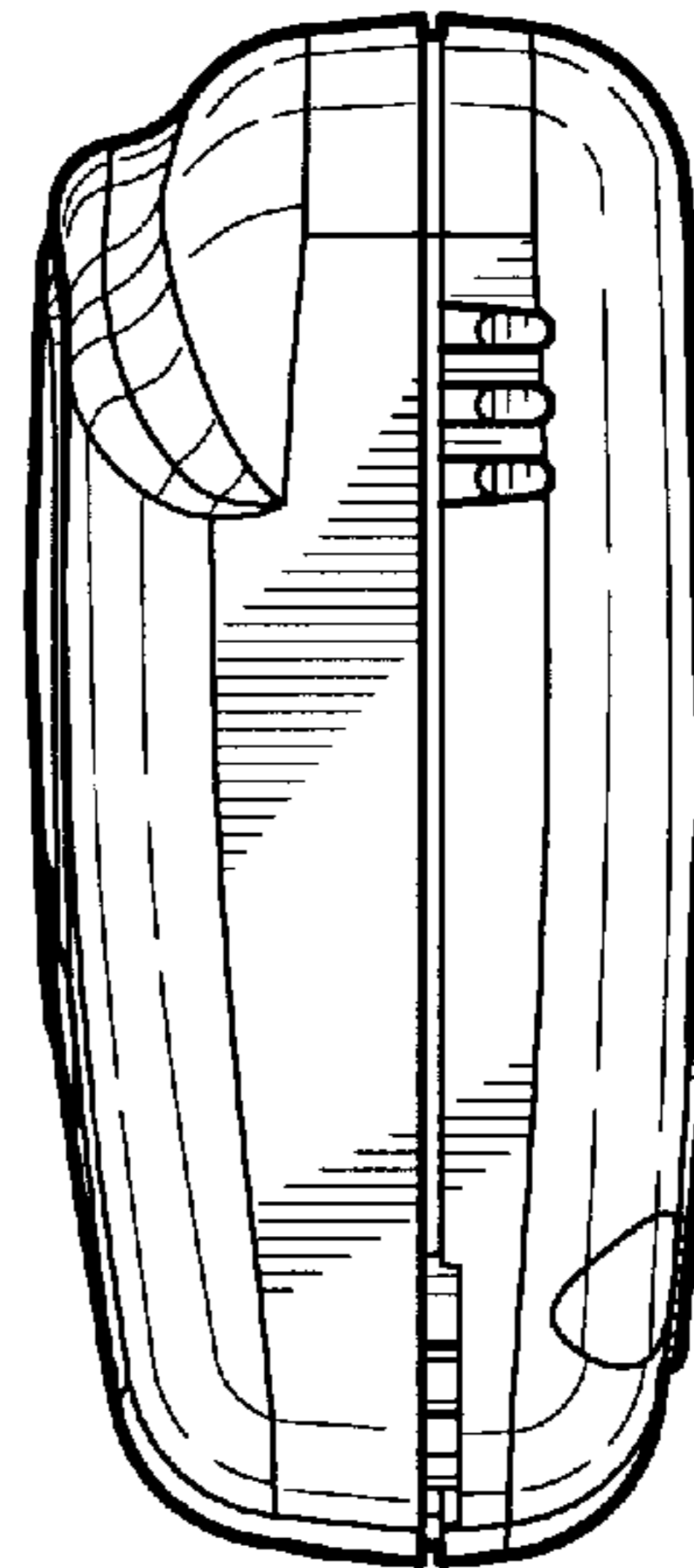
*FIG. 2*



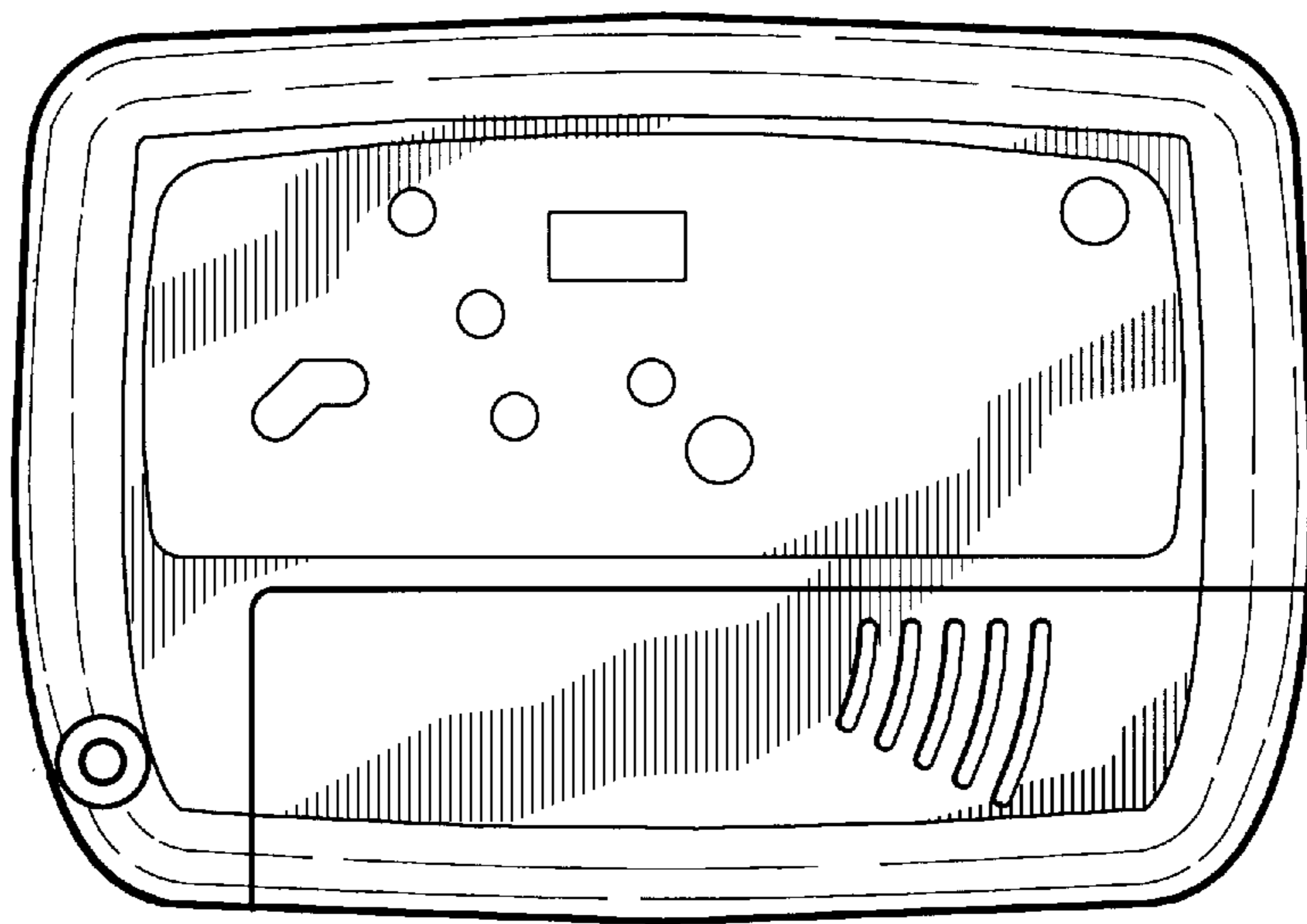
*FIG. 3*



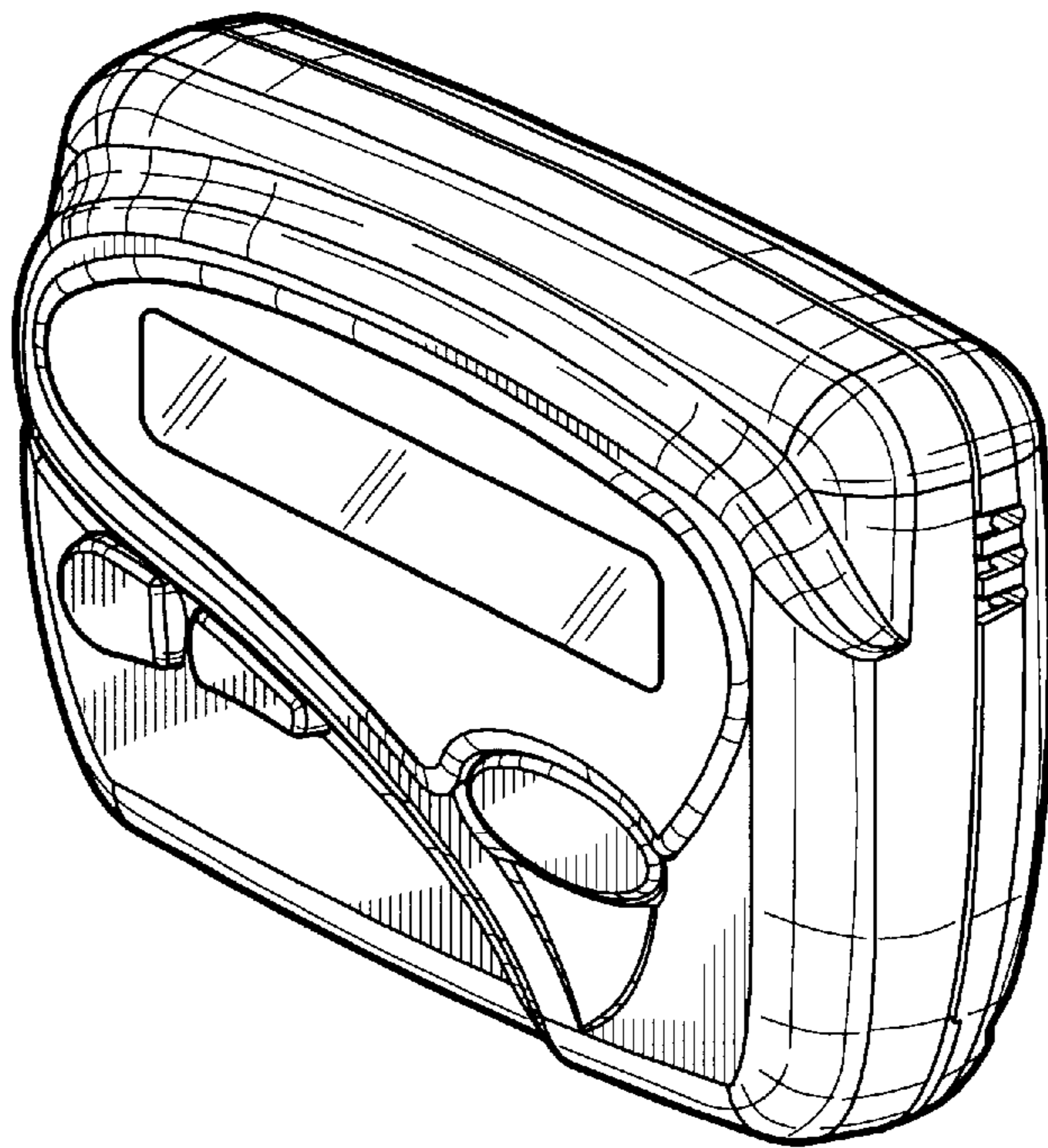
*FIG. 4*



*FIG. 5*



*FIG. 6*



*FIG. 7*