

US00D405082S

United States Patent [19] Shibata

[11] Patent Number: **Des. 405,082**

[45] Date of Patent: ****Feb. 2, 1999**

[54] **DIGITAL AUDIO DISK PLAYER**

[75] Inventor: **Hirokazu Shibata**, Higashihiroshima, Japan

[73] Assignee: **Sharp Kabushiki Kaisha**, Osaka, Japan

[**] Term: **14 Years**

[21] Appl. No.: **79,208**

[22] Filed: **Nov. 14, 1997**

[30] **Foreign Application Priority Data**

May 16, 1997 [JP] Japan 9-54583

[51] **LOC (6) Cl.** **14-01**

[52] **U.S. Cl.** **D14/156**

[58] **Field of Search** D14/135, 136,
D14/156, 157, 160-163, 165, 257, 258;
369/75.1, 75.2, 77.1, 77.2

[56] **References Cited**

U.S. PATENT DOCUMENTS

D. 312,083 11/1990 Takada D14/156
D. 315,159 3/1991 Hino D14/163

D. 329,231 9/1992 Lee D14/156
D. 347,430 5/1994 Uchiyama D14/163 X
D. 350,748 9/1994 Sakata et al. .
D. 350,957 9/1994 Sakata et al. .
D. 366,658 1/1996 Fukutome .
4,195,844 4/1980 Okamura et al. 369/77.2 X

Primary Examiner—Ted Shooman
Assistant Examiner—Nanda Bondade
Attorney, Agent, or Firm—Nixon & Vanderhye

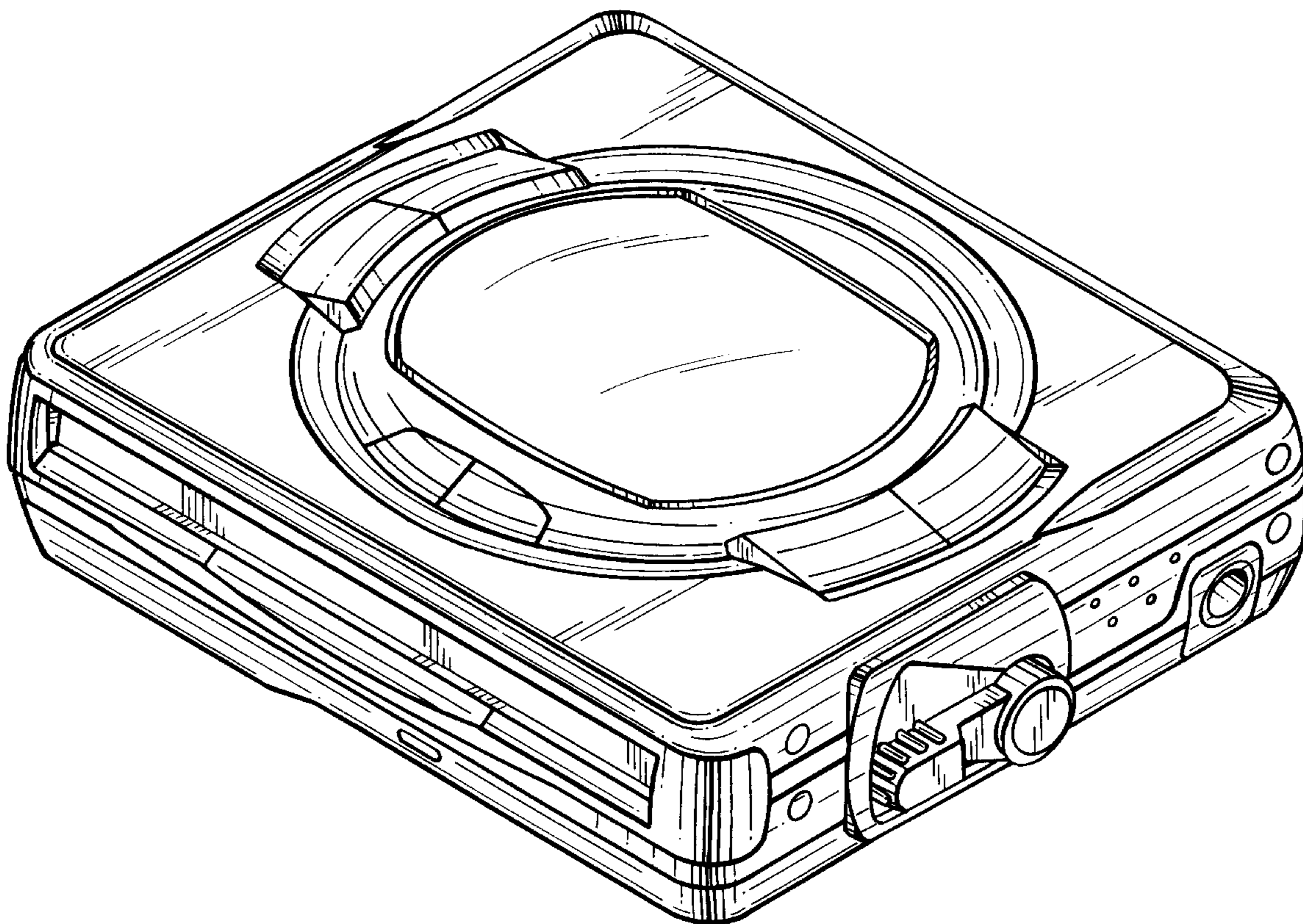
[57] **CLAIM**

The ornamental design for a “digital audio disk player”, as shown and described.

DESCRIPTION

FIG. 1 is a top, front and right side perspective view of a digital audio disk player according to my design; FIG. 2 is a front elevational view thereof; FIG. 3 is a top plan view thereof; FIG. 4 is a right side elevational view thereof; FIG. 5 is a left side elevational view thereof; FIG. 6 is a rear elevational view thereof; and, FIG. 7 is a bottom plan view thereof.

1 Claim, 4 Drawing Sheets



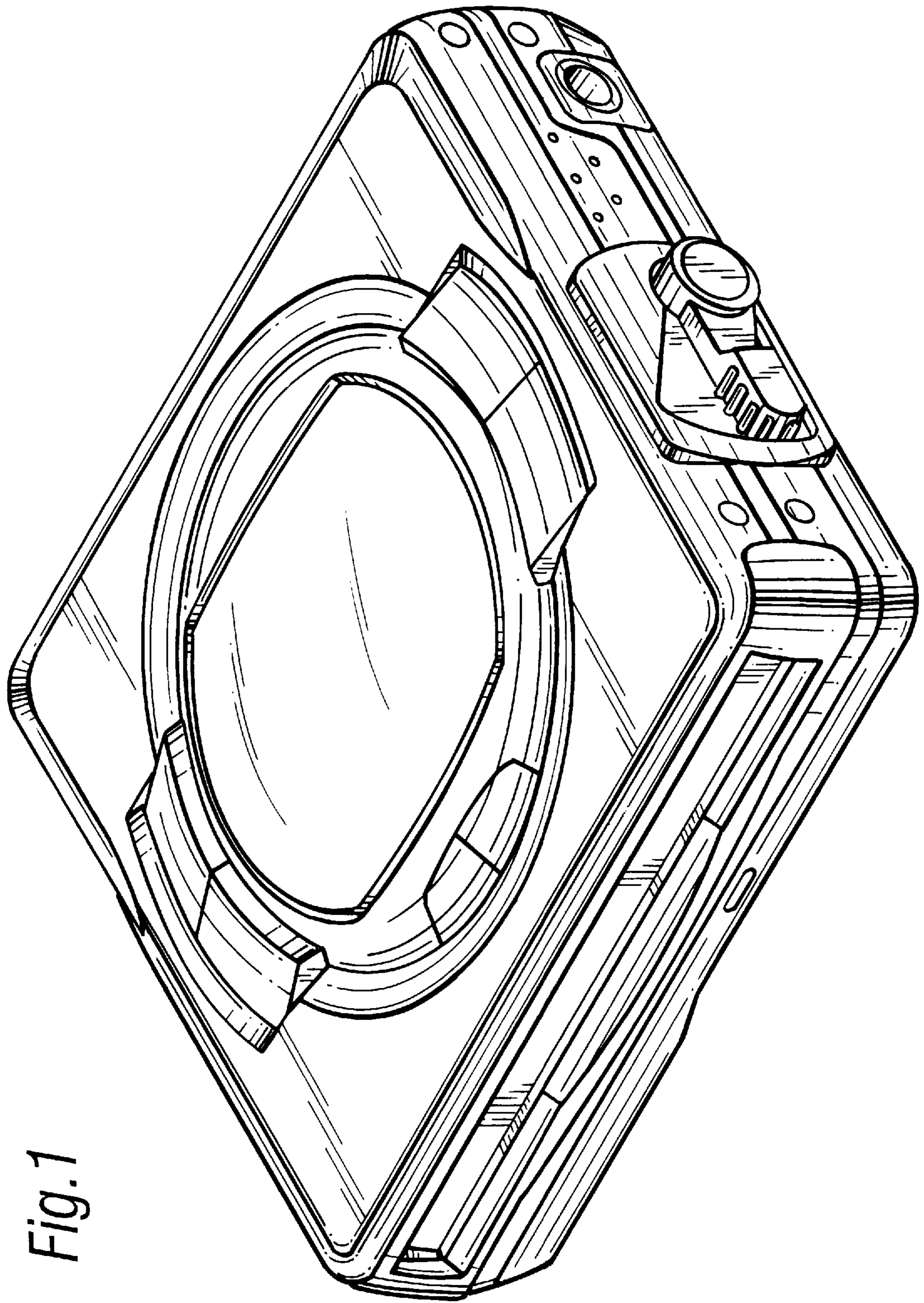


Fig. 1

Fig. 2

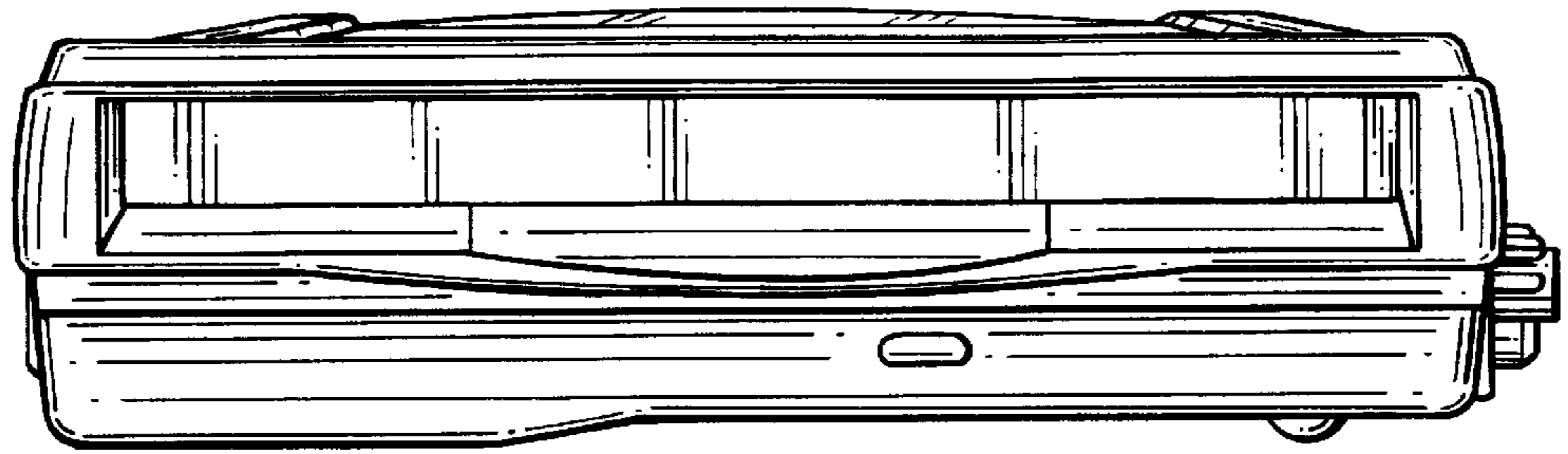
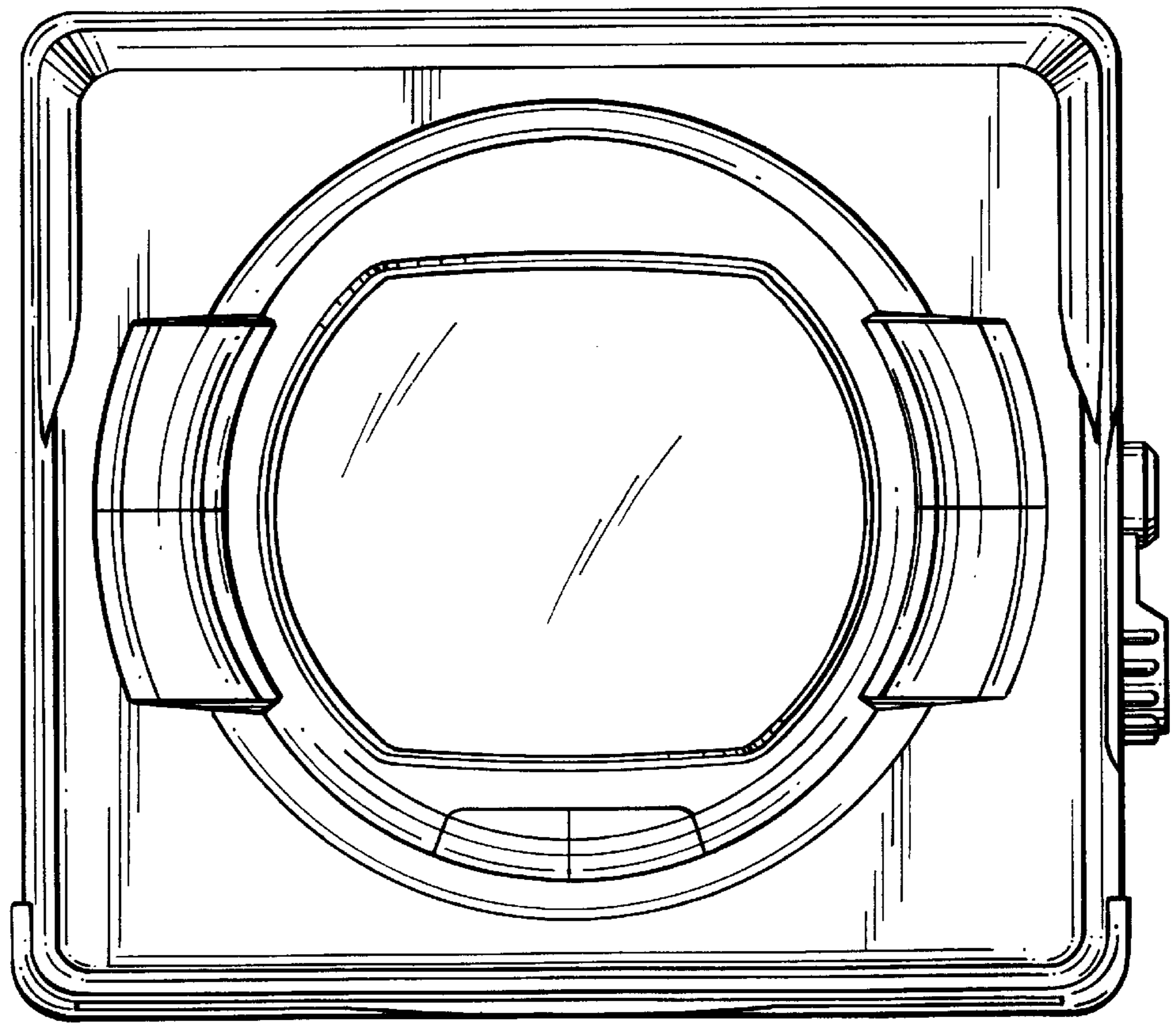


Fig. 3



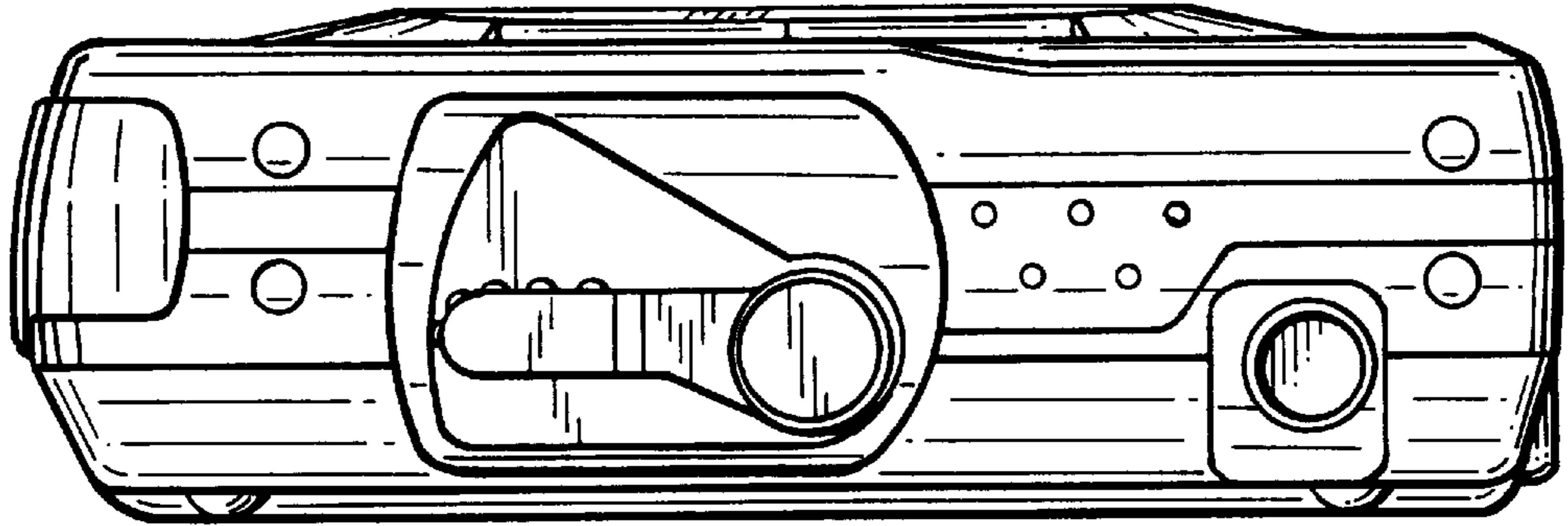


Fig. 4

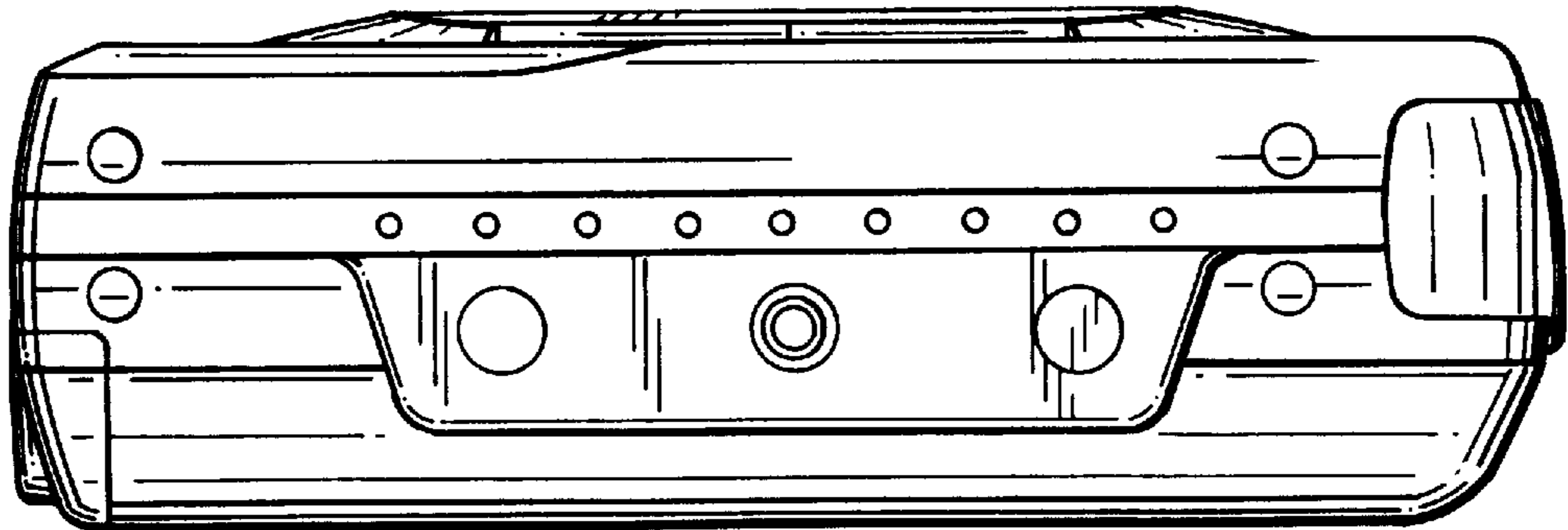


Fig. 5

Fig. 6

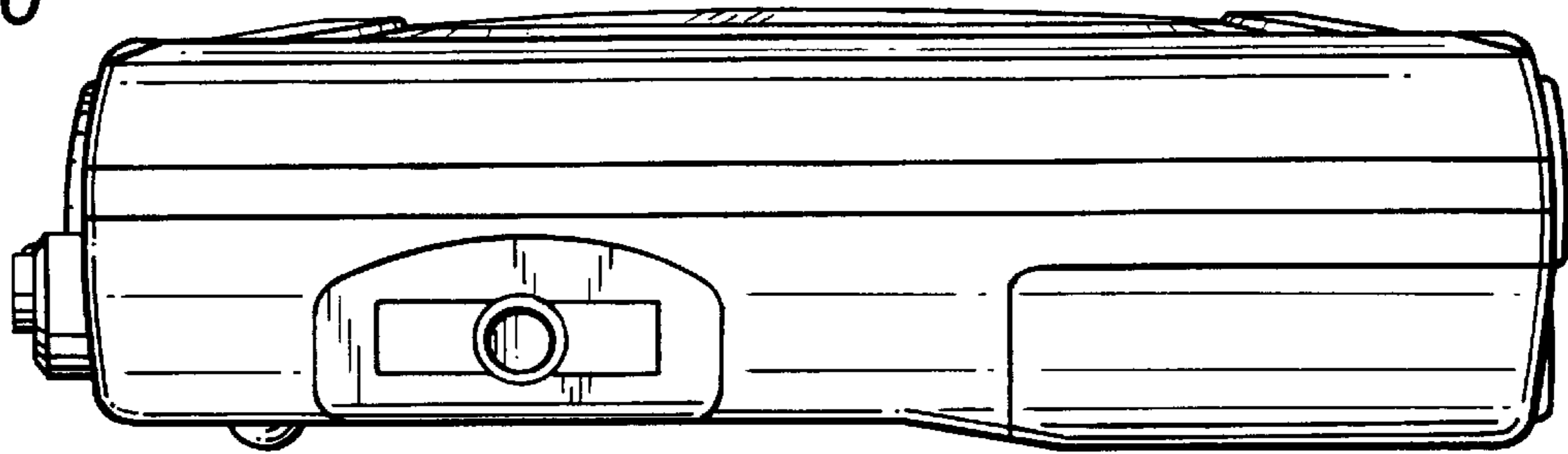


Fig. 7

