



US00D405081S

United States Patent [19]

Nagele et al.

[11] **Patent Number: Des. 405,081**

[45] **Date of Patent: **Feb. 2, 1999**

[54] **HANDSET FOR A WIRELESS COMMUNICATIONS DEVICE**

[75] Inventors: **Albert Leo Nagele, Wilmette, Ill.; Mark David Summers, Phoenix, Ariz.; Donald Charles Cohlman; James Donald Crowe, both of Chandler, Ariz.**

[73] Assignee: **Motorola, Inc., Schaumburg, Ill.**

[**] Term: **14 Years**

[21] Appl. No.: **85,328**

[22] Filed: **Mar. 20, 1998**

[51] **LOC (6) Cl. 14-03**

[52] **U.S. Cl. D14/138**

[58] **Field of Search D14/137, 138, D14/147-148, 247-248, 250, 24, 140-142; 379/433.434, 419, 420, 428, 440; 455/550-575, 90**

[56] **References Cited**

U.S. PATENT DOCUMENTS

D. 319,441	8/1991	Konno et al.	D14/138 X
D. 359,734	6/1995	Nagele et al.	D14/178 X
D. 369,598	5/1996	Nagele et al.	D14/138
D. 393,856	4/1998	Lee et al.	D14/138
5,027,394	6/1991	Ono et al.	379/433
5,335,368	8/1994	Tamura	455/90

5,442,814	8/1995	Seo	455/90 X
5,493,604	2/1996	Hirayama	455/564
5,706,332	1/1998	Nagi	455/550

FOREIGN PATENT DOCUMENTS

3-234126 (A) 10/1991 Japan .

OTHER PUBLICATIONS

Japanese advertisement showing DoCoMo telephone, Nov. 1997.

Primary Examiner—Jeffrey Asch
Attorney, Agent, or Firm—Bradley J. Botsch, Sr.

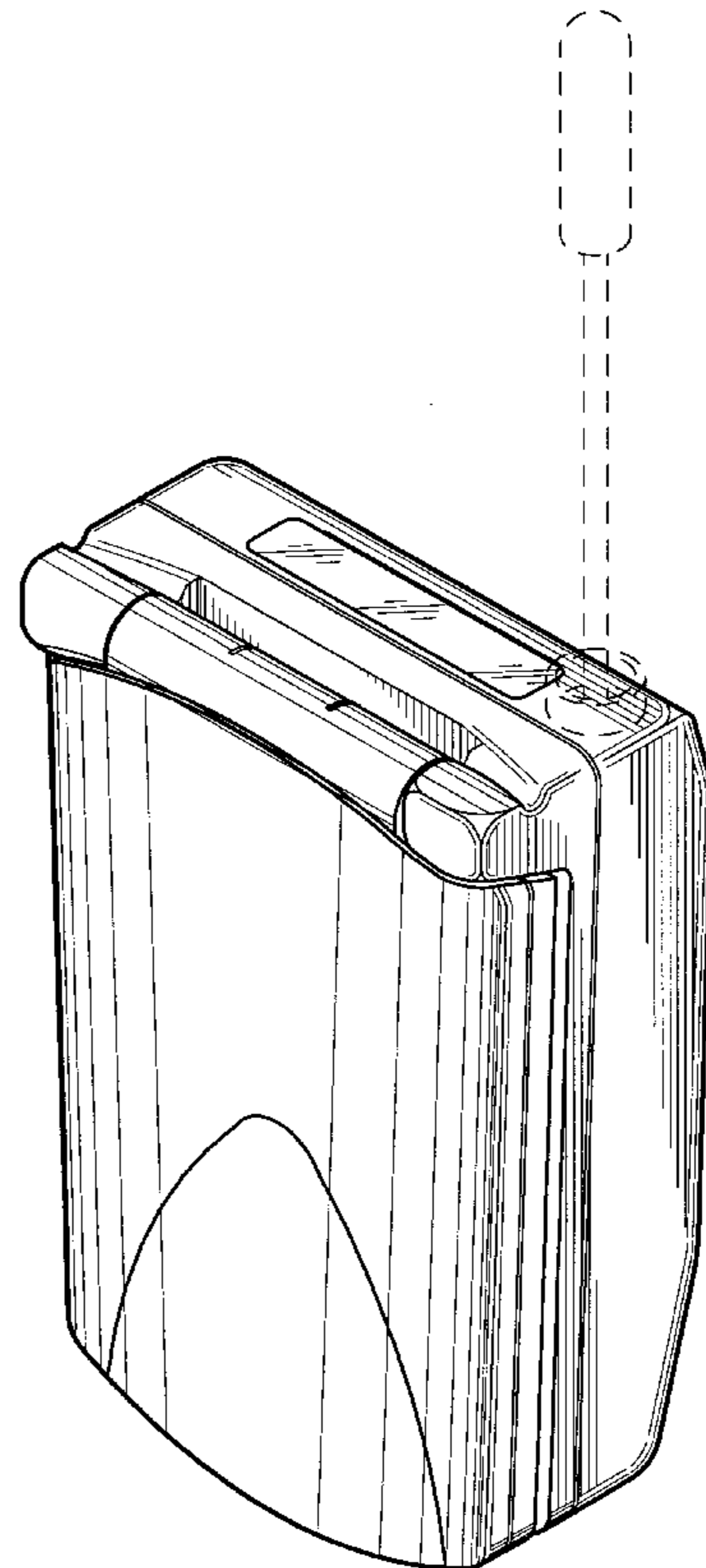
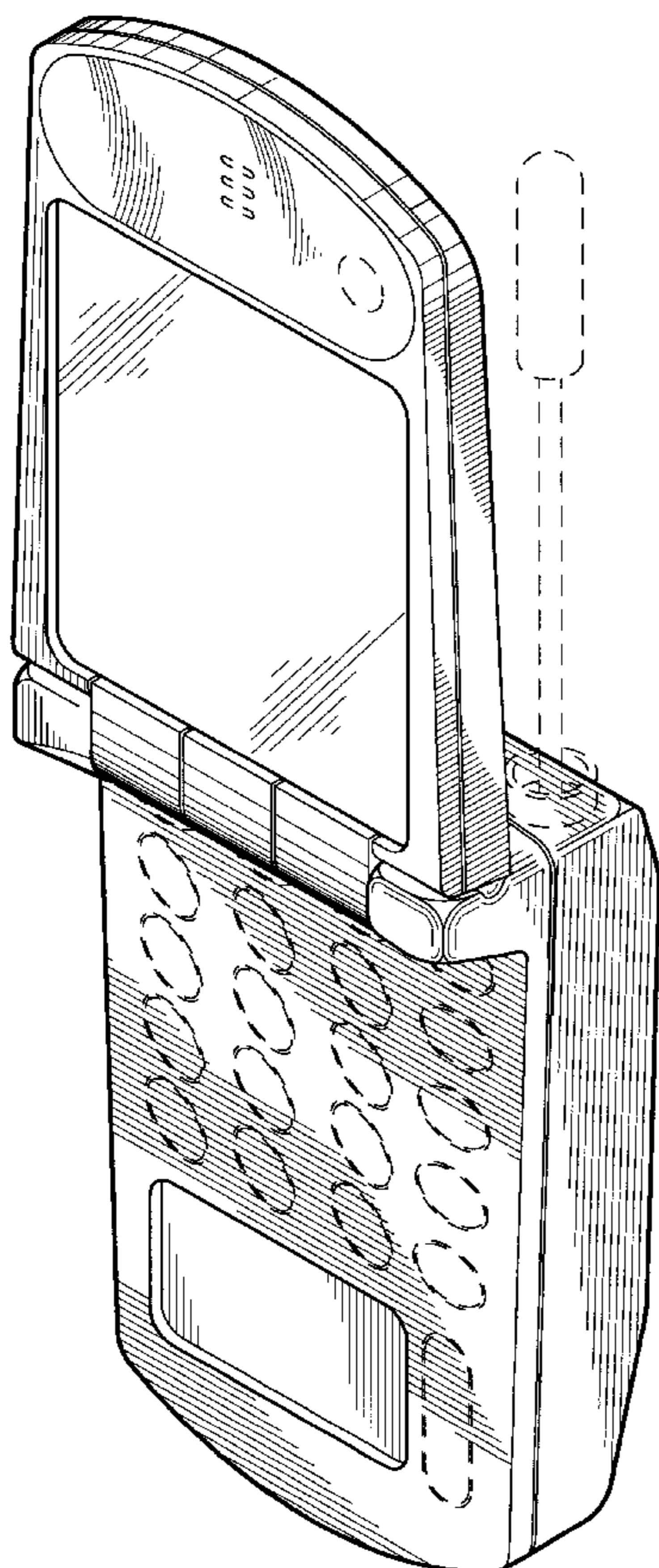
[57] **CLAIM**

The ornamental design for a handset for a wireless communications device, as shown and described.

DESCRIPTION

FIG. 1 is a top, front, and right perspective view; FIG. 2 is a left side elevation view thereof; FIG. 3 is a rear elevation view thereof; FIG. 4 is a top plan view thereof; FIG. 5 is a bottom plan view; and, FIG. 6 is a top, front, and right perspective view showing our new design for a handset for a wireless communications device with the handset closed, whereby components shown in any of the FIGS. as broken line matter are for illustrative purpose only and form no part of the claimed design.

1 Claim, 3 Drawing Sheets



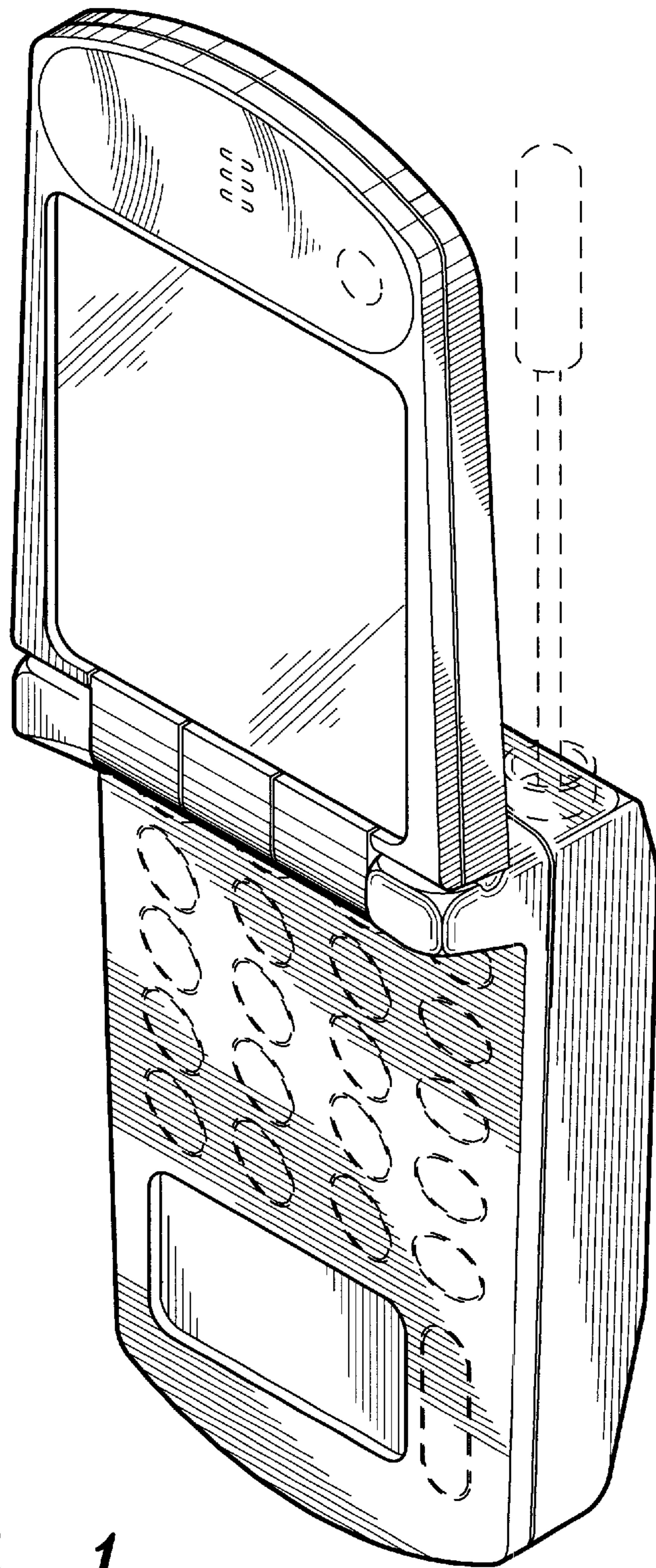


FIG. 1

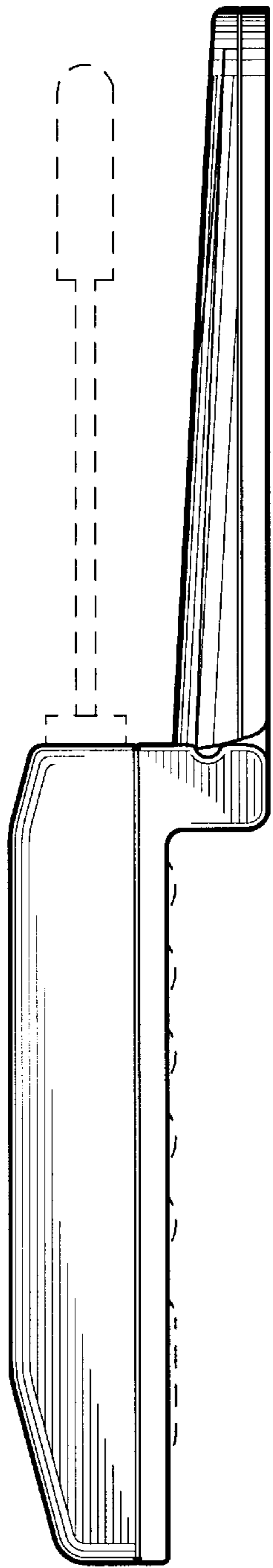


FIG. 2

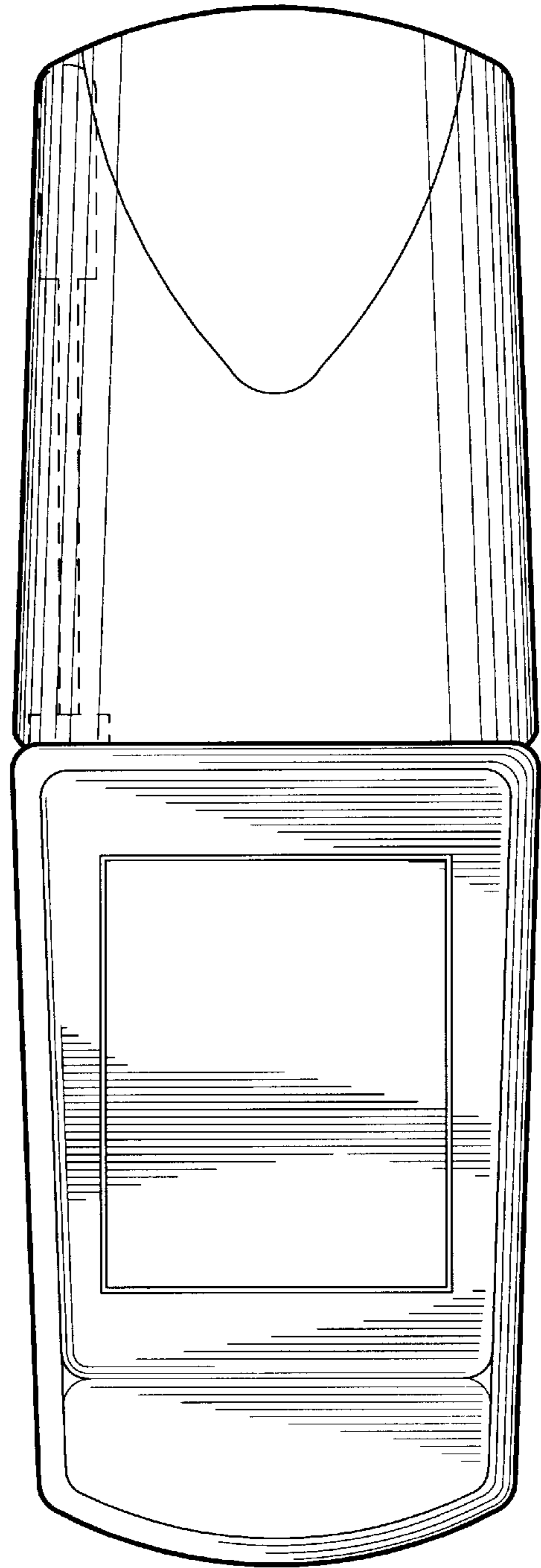


FIG. 3

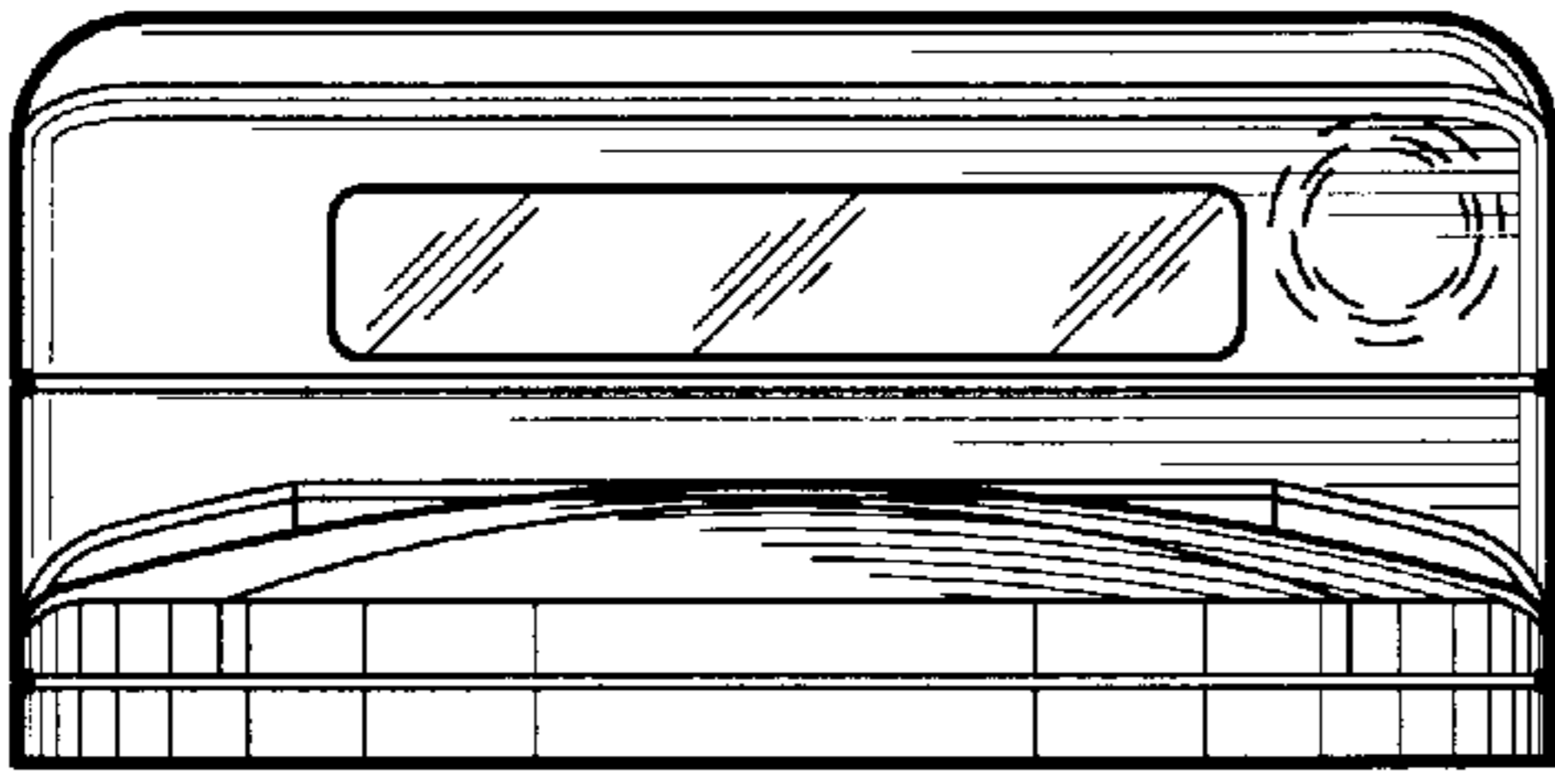


FIG. 4

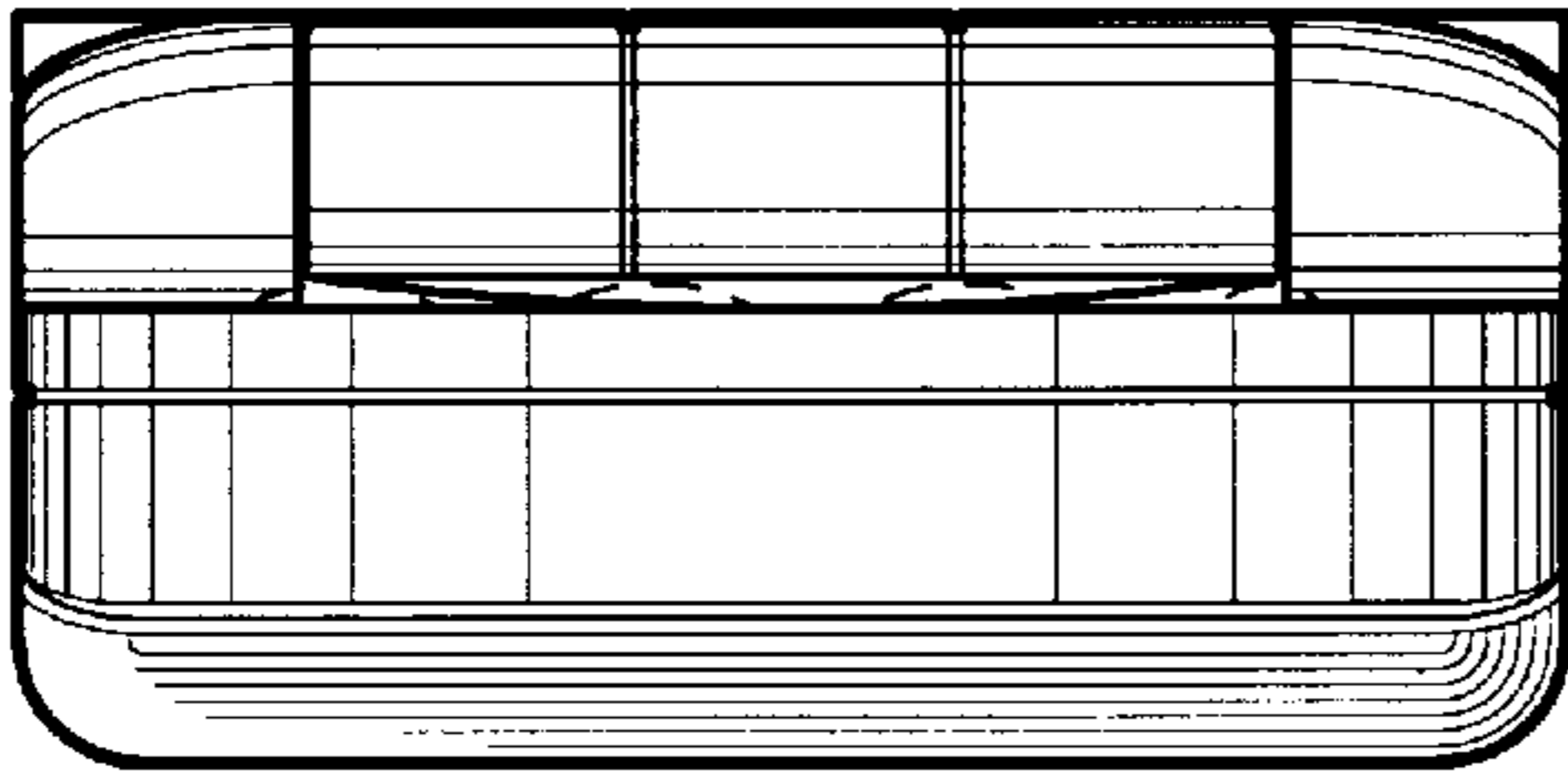


FIG. 5

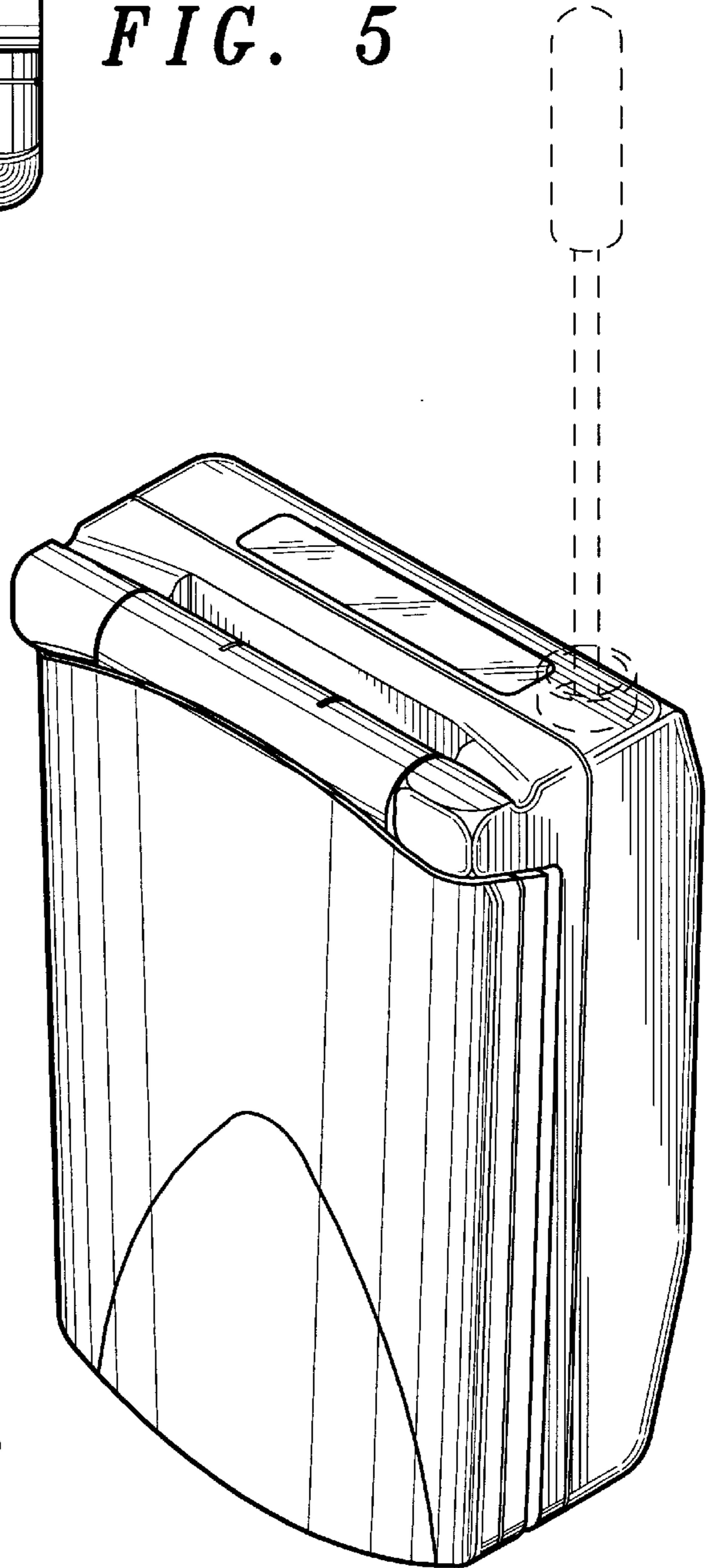


FIG. 6