



US00D405079S

**United States Patent** [19]  
**Oikawa**

[11] **Patent Number: Des. 405,079**  
[45] **Date of Patent: \*\*Feb. 2, 1999**

[54] **CONTROLLER FOR VIDEO GAME MACHINE**

8-047581 2/1996 Japan ..... A63F 9/22

**OTHER PUBLICATIONS**

[75] Inventor: **Akitoshi Oikawa**, Tokyo, Japan  
[73] Assignee: **Sega Enterprises, Ltd.**, Tokyo, Japan  
[\*\*] Term: **14 Years**

Hong Kong Enterprise, p. 137, Oct. 1994.  
Controller for Video Game Machine, Denpa Newspaper Company, family computer magazine, Mar. 2, 1990, in Japan.  
Controller for Video Game Machine, NEC Avenue, family computer magazine, Apr. 13, 1990, in Japan.

[21] Appl. No.: **70,804**  
[22] Filed: **May 16, 1997**

*Primary Examiner*—Prabhakar G. Deshmukh  
*Attorney, Agent, or Firm*—Ladas & Parry

[30] **Foreign Application Priority Data**

Nov. 20, 1996 [JP] Japan ..... 8-35168

[57] **CLAIM**

[51] **LOC (6) Cl.** ..... **21-01**  
[52] **U.S. Cl.** ..... **D14/117.1**  
[58] **Field of Search** ..... D21/1, 13, 48;  
273/148 B; 463/30-47, 1; D14/114, 217

The ornamental design for a controller for video game machine, as shown and described.

**DESCRIPTION**

[56] **References Cited**

**U.S. PATENT DOCUMENTS**

D. 340,748 10/1993 Li ..... D21/48  
D. 351,870 10/1994 Leung ..... D21/48  
D. 372,941 8/1996 Oikawa ..... D21/48  
D. 376,826 12/1996 Ashida ..... D21/48  
4,870,389 9/1989 Ishiwata et al. .... 273/148 B X  
5,207,426 5/1993 Inoue et al. .... 273/148 B

FIG. 1 is a front bottom and right side perspective view of a controller for video game machine showing my new design;  
FIG. 2 is a front view thereof;  
FIG. 3 is a top view thereof;  
FIG. 4 is a rear view thereof;  
FIG. 5 is a bottom view thereof;  
FIG. 6 is a right side view thereof;  
FIG. 7 is a left side view thereof;  
FIG. 8 is a rear bottom and left side perspective view thereof; and,  
FIG. 9 is a top rear and right side perspective view thereof. The broken line showing of the cable and connector in FIG. 9 is for illustration only and forms no part of the claim.

**FOREIGN PATENT DOCUMENTS**

4-174694 6/1992 Japan ..... A63F 9/22  
6-073841 10/1994 Japan ..... H01H 25/00  
6-073842 10/1994 Japan ..... H01H 25/00  
8-024439 1/1996 Japan ..... A63F 9/22

**1 Claim, 6 Drawing Sheets**

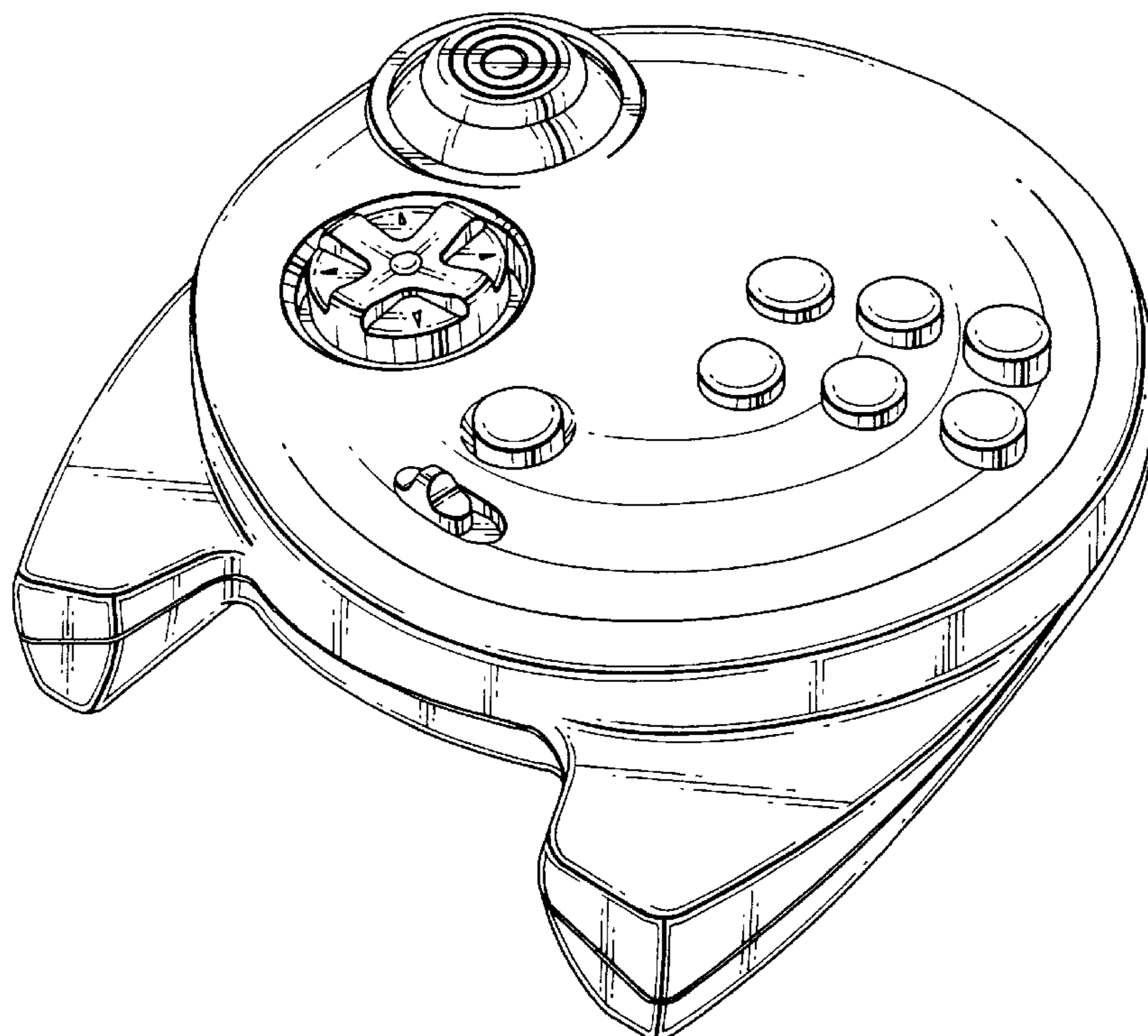


FIG. 1

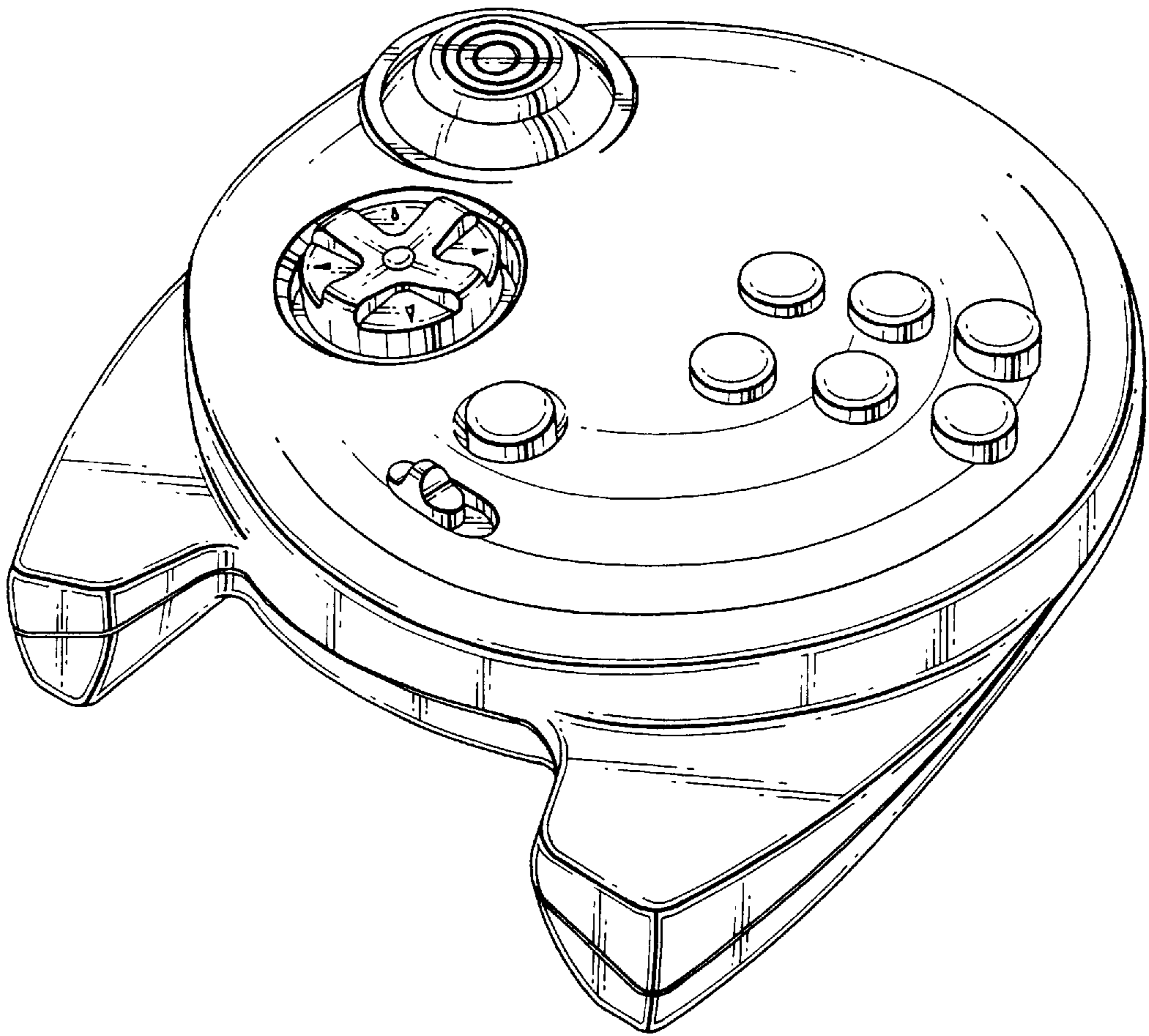


FIG. 2

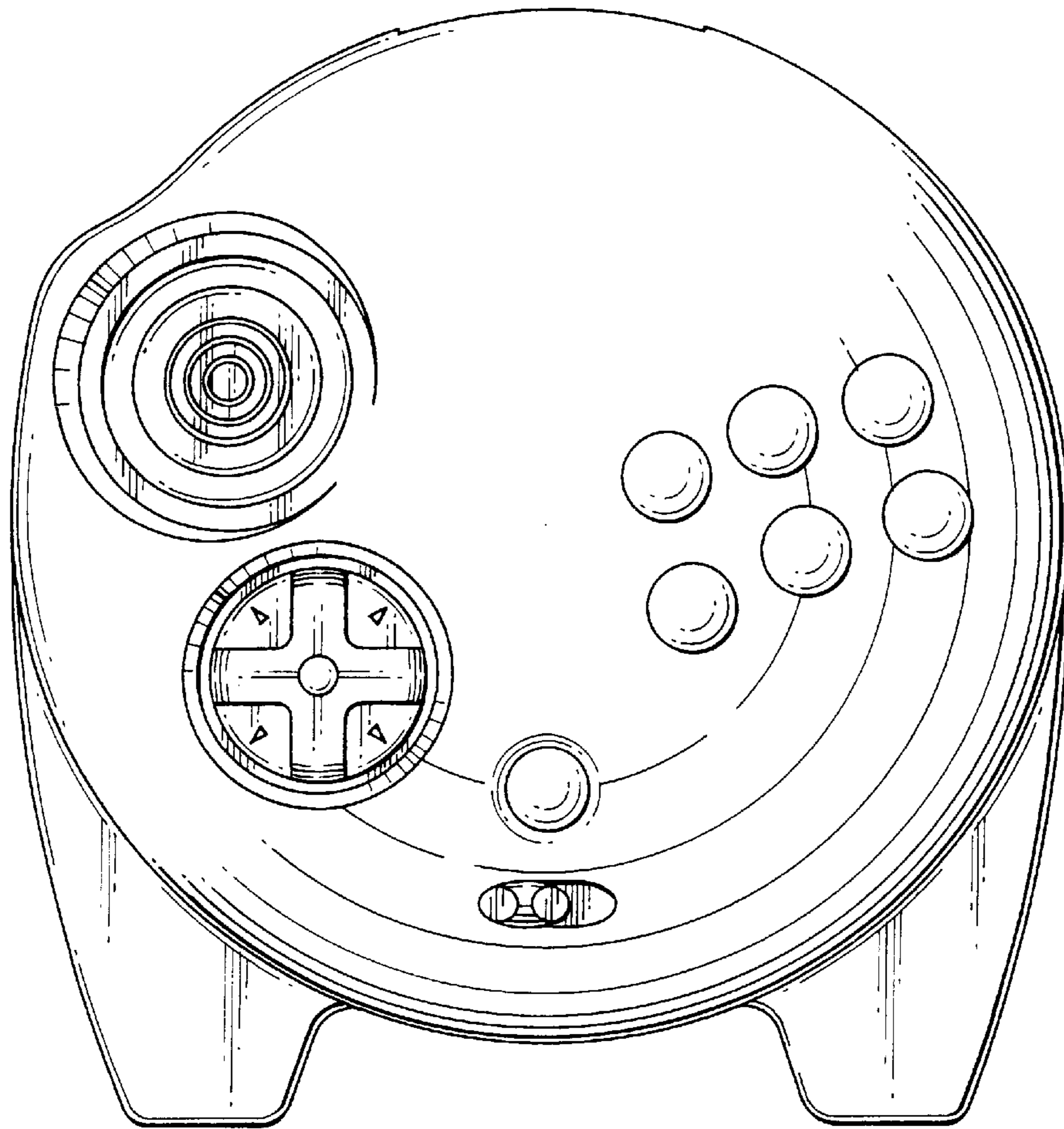


FIG. 3

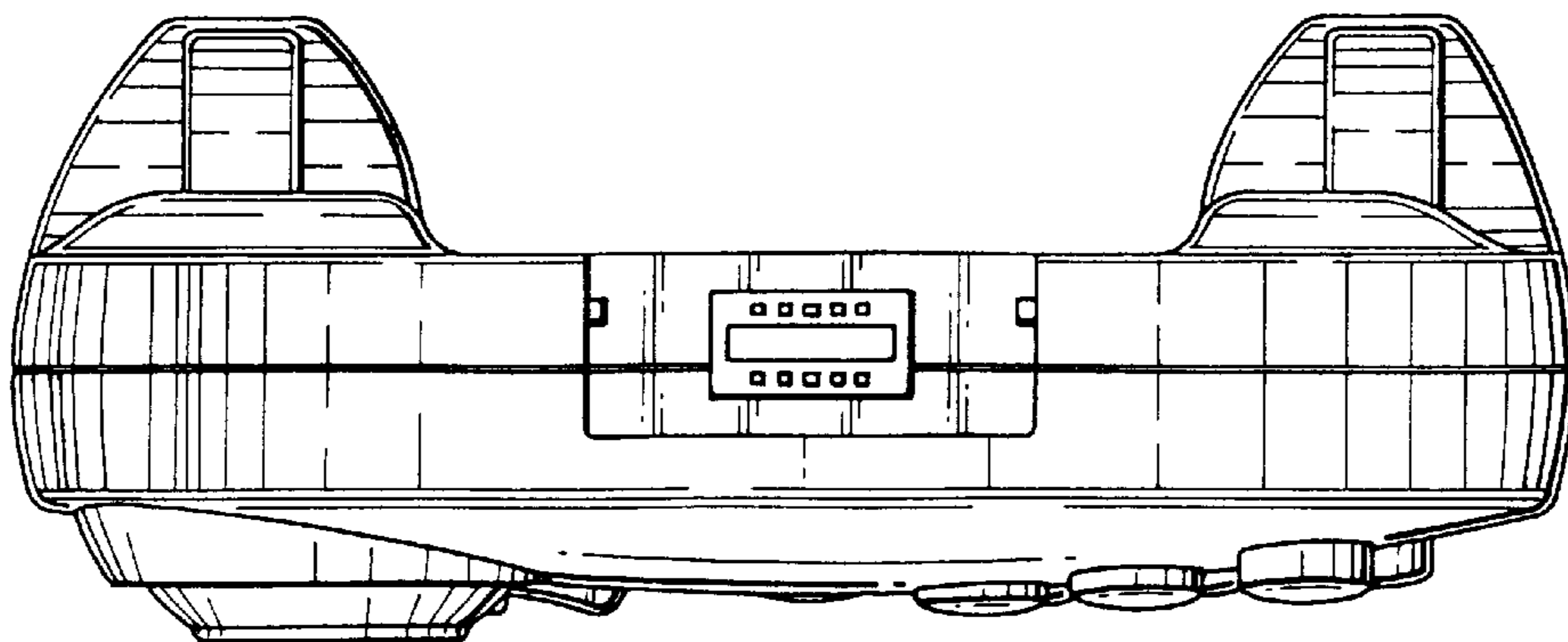


FIG. 4

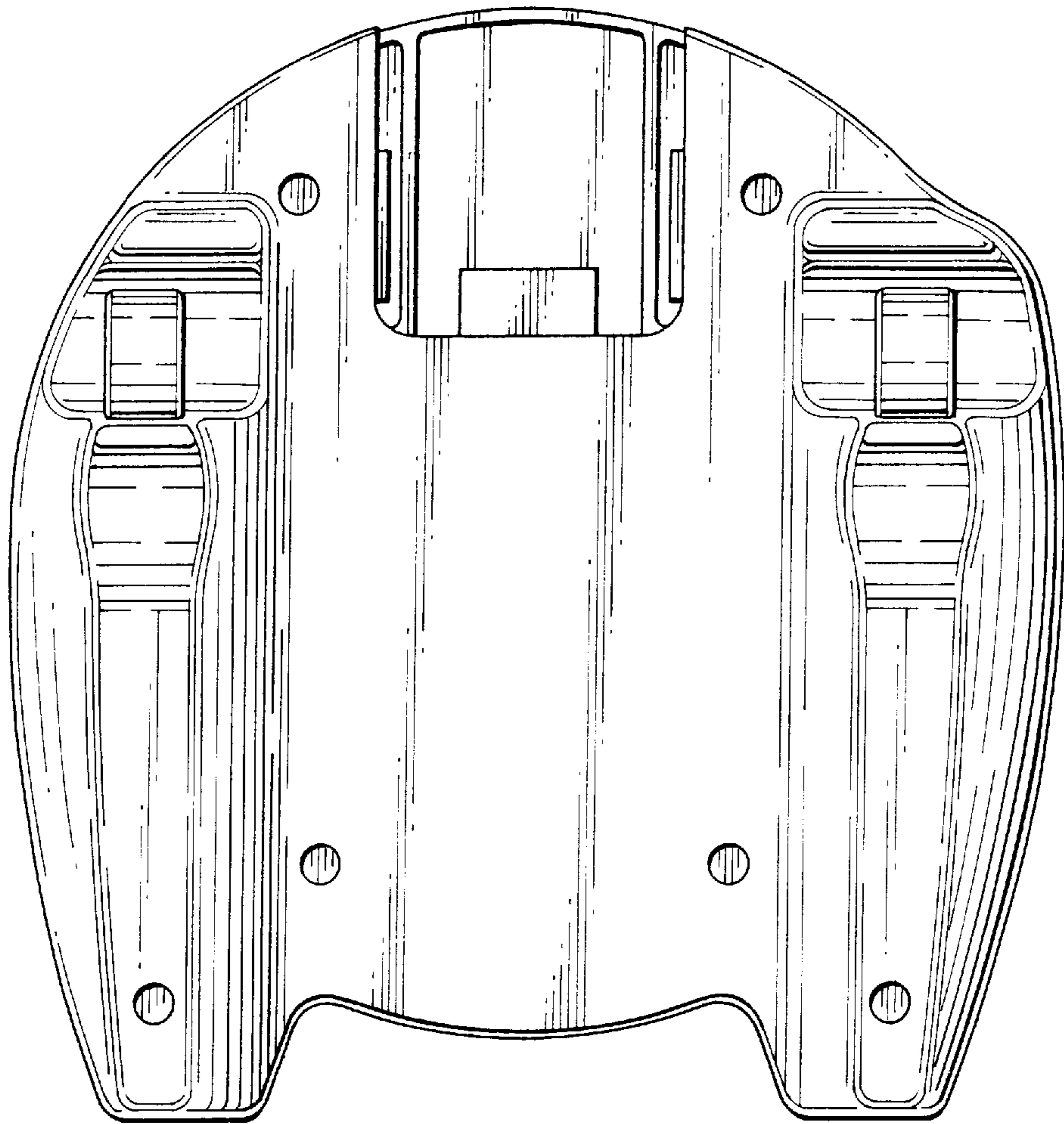


FIG. 5

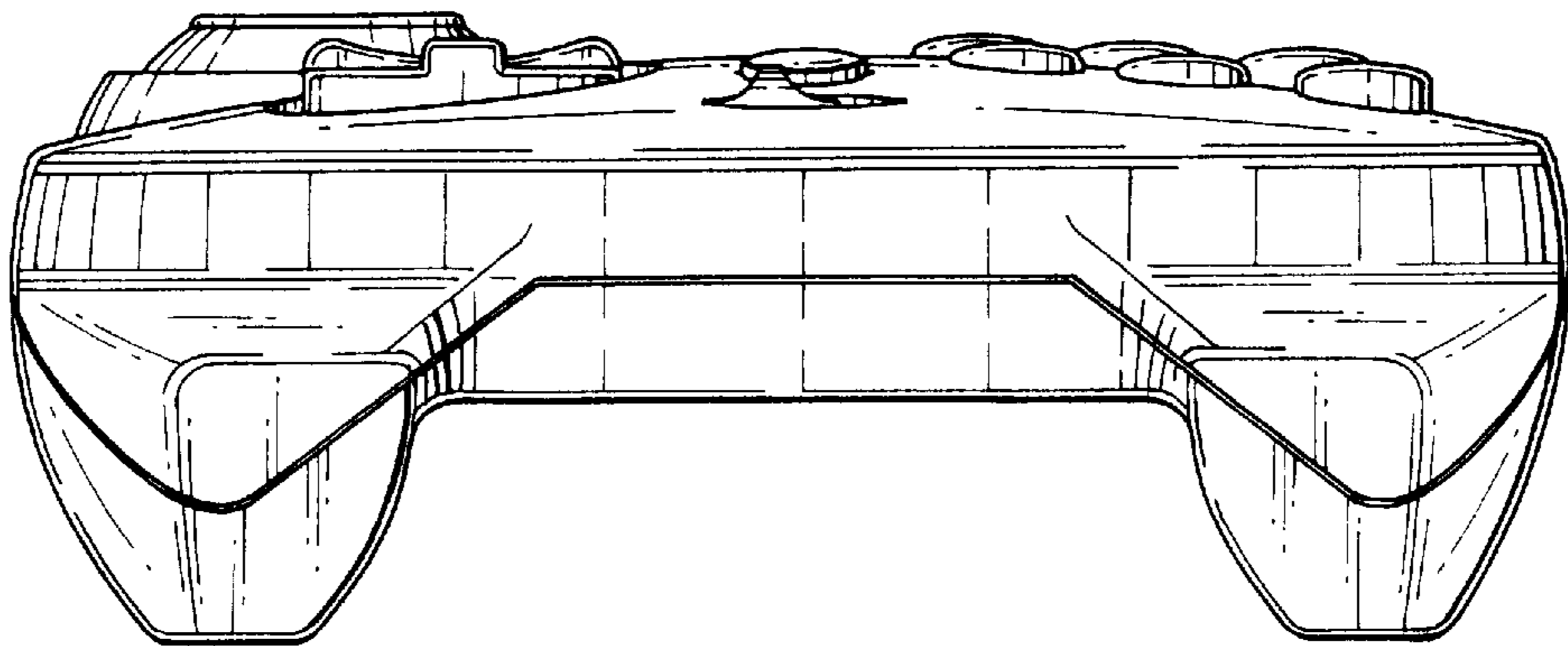


FIG. 6

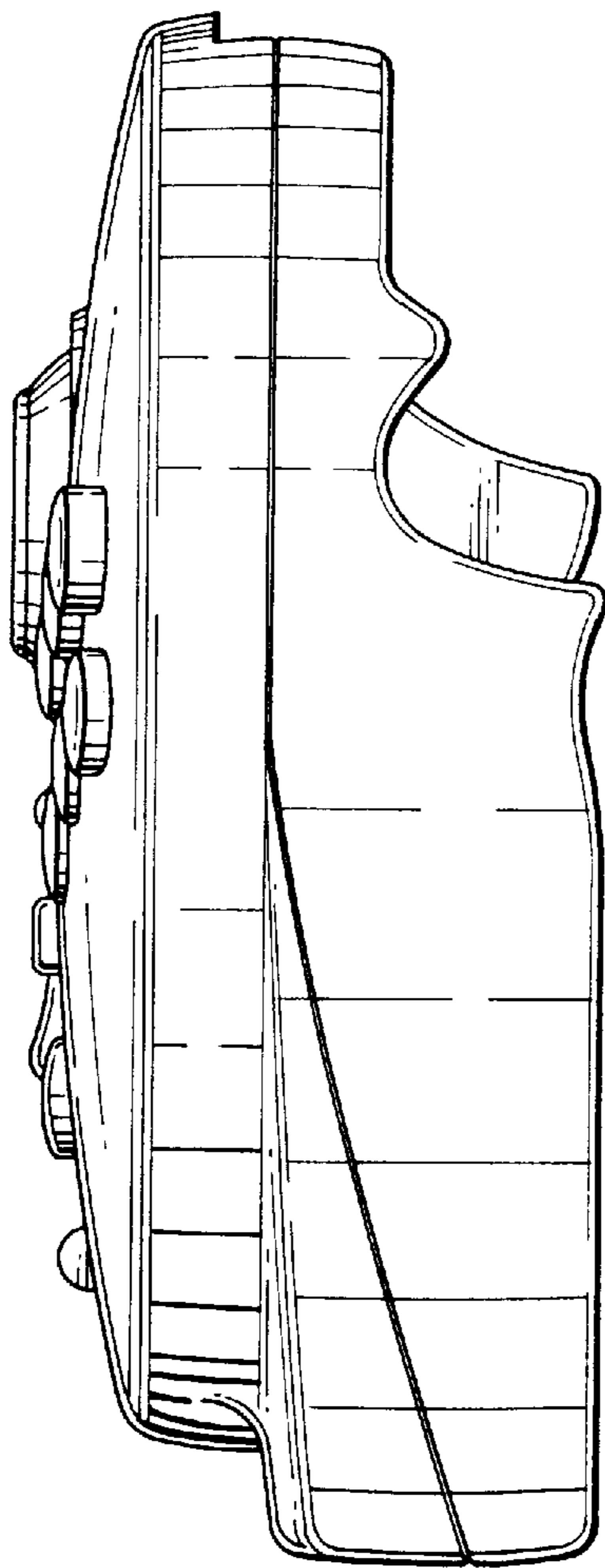


FIG. 7

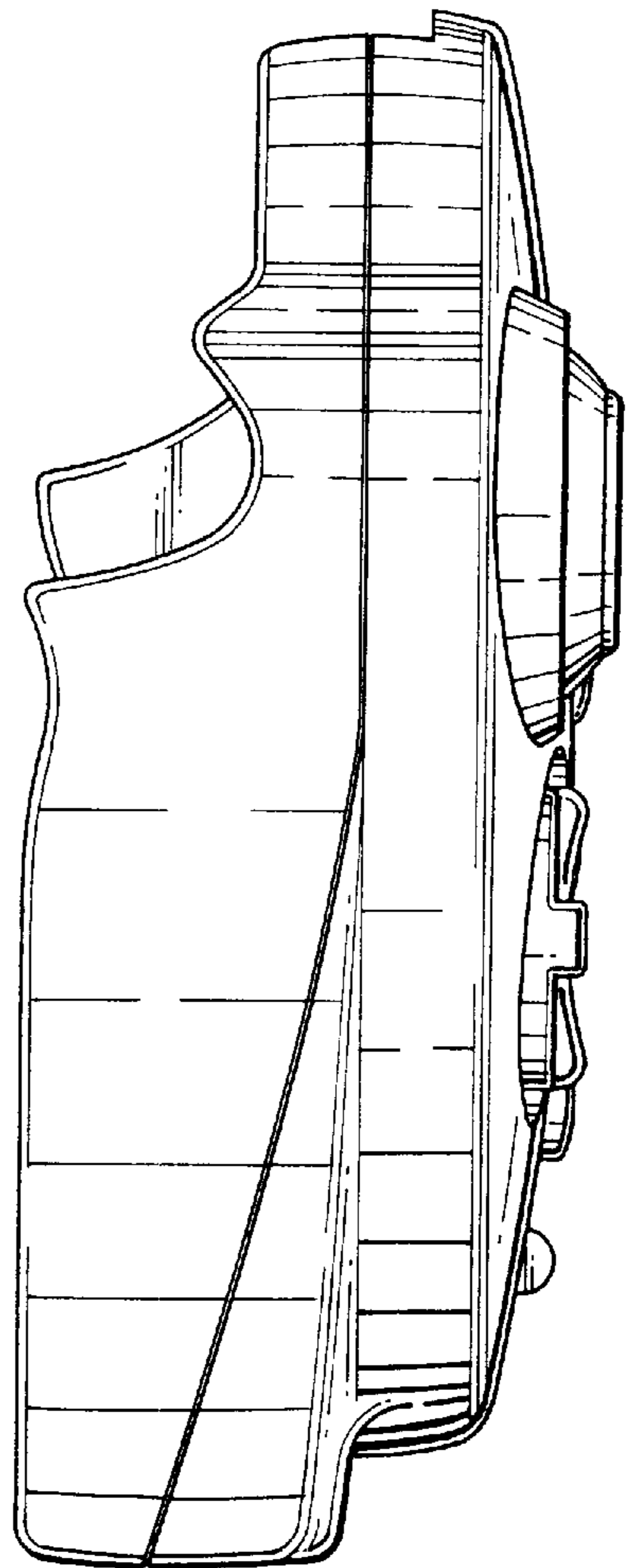


FIG. 8

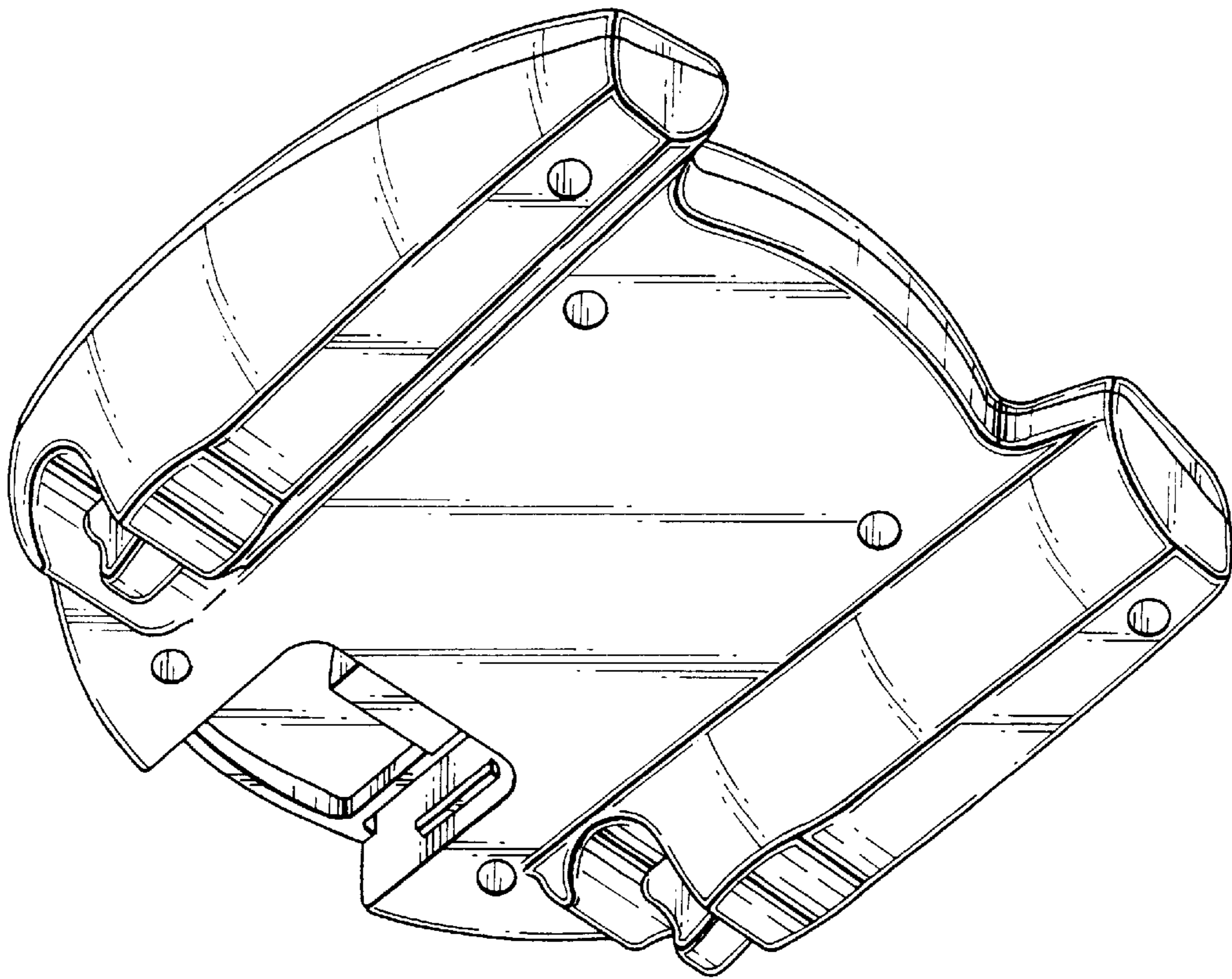


FIG. 9

