



US00D405077S

United States Patent [19]

Urushihata et al.

[11] **Patent Number: Des. 405,077**

[45] **Date of Patent: **Feb. 2, 1999**

[54] **OPTICAL SCANNER**

[75] Inventors: **Mutsumi Urushihata**, Hachioji;
Takeshi Asaka, Tokyo, both of Japan;
Ian Jenkins, Stony Brook, N.Y.;
Jonathan Marks, Cambridge, Mass.

[73] Assignee: **Symbol Technologies, Inc.**, Holtsville,
N.Y.

[**] Term: **14 Years**

[21] Appl. No.: **82,170**

[22] Filed: **Jan. 16, 1998**

[51] **LOC (6) Cl. 14-02**

[52] **U.S. Cl. D14/116**

[58] **Field of Search** D14/114, 116,
D14/100, 107; D19/41-51; 235/375, 378,
385, 454, 462, 472, 486; 382/312-15, 321,
318-19; 250/203.1, 216; D26/37, 45, 50

[56] **References Cited**

U.S. PATENT DOCUMENTS

D. 343,170 1/1994 Gilpin et al. D14/116

D. 344,501 2/1994 Gong et al. D14/116
D. 349,109 7/1994 Karlin D14/116
D. 362,435 9/1995 Charych et al. D14/116
D. 385,265 10/1997 Knowles et al. D14/116
D. 388,076 12/1997 Swift et al. D14/116

Primary Examiner—M. H. Tung

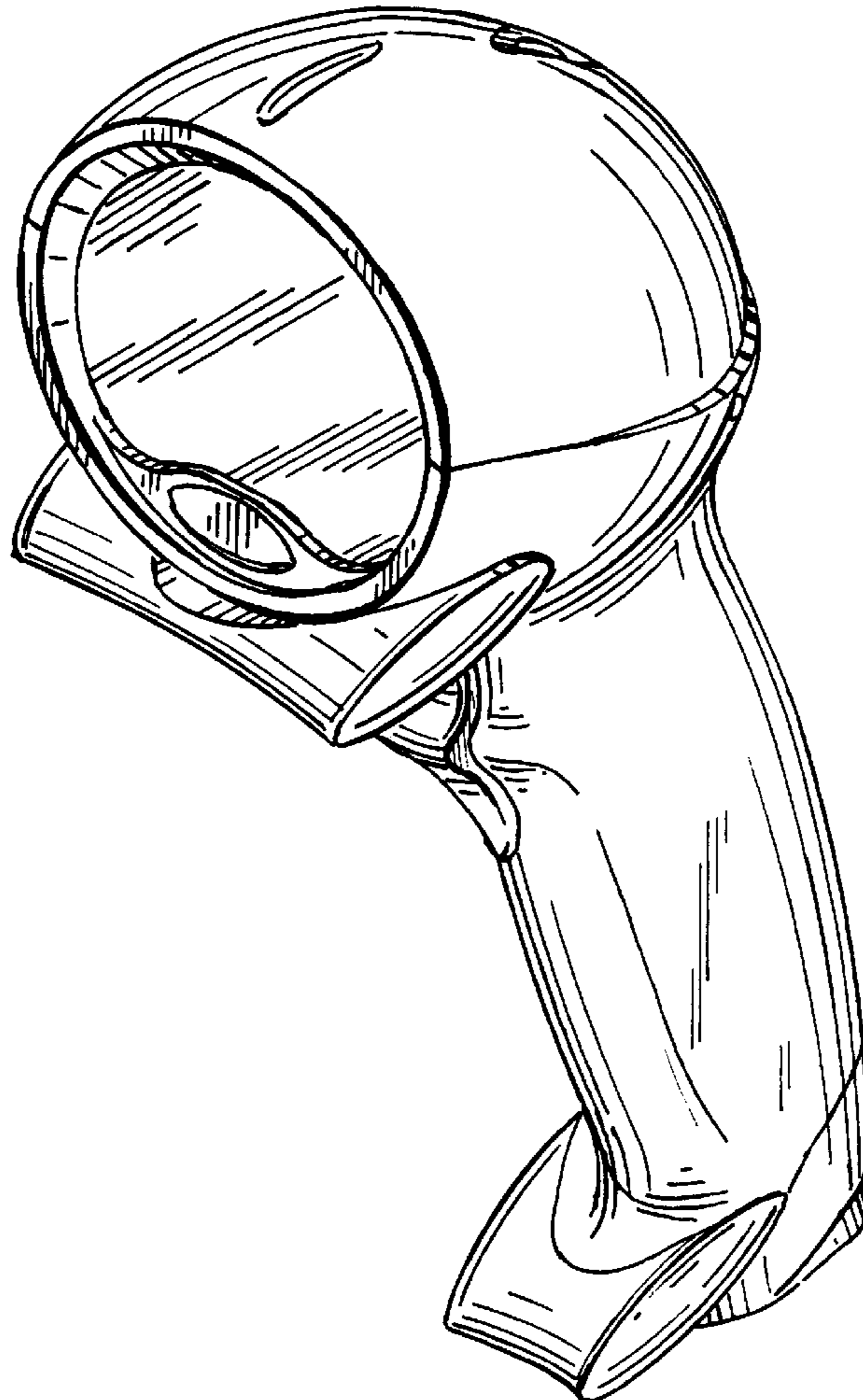
[57] **CLAIM**

The ornamental design for an optical scanner, as shown and described.

DESCRIPTION

FIG. 1 is a top, front, left-side perspective view of a optical scanner showing our new design;
FIG. 2 is a top plan view thereof;
FIG. 3 is a front elevational view thereof;
FIG. 4 is a left-side elevational view thereof;
FIG. 5 is a right-side elevational view thereof;
FIG. 6 is a rear elevational view thereof; and,
FIG. 7 is a bottom plan view thereof.

1 Claim, 3 Drawing Sheets



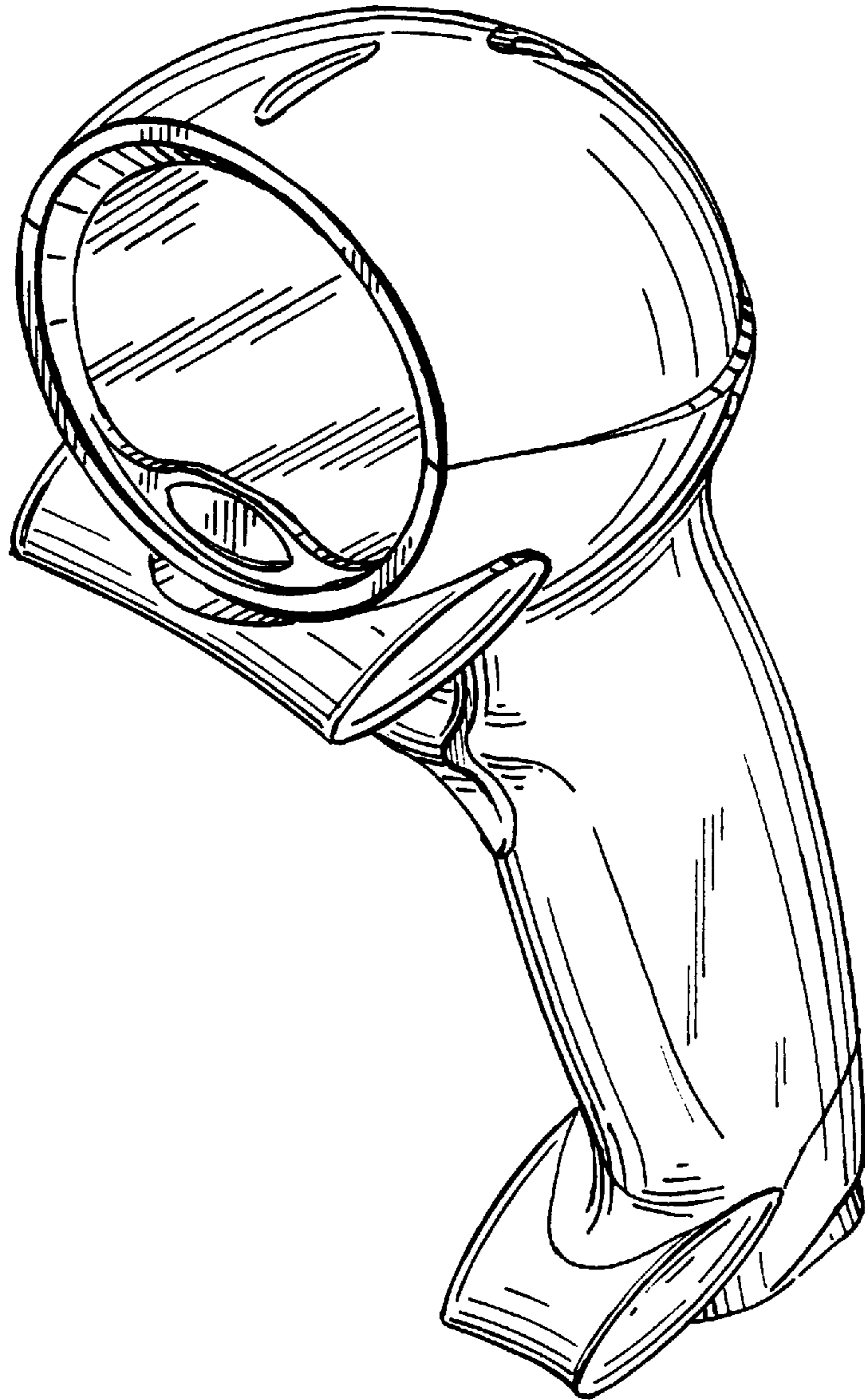


FIG. 1

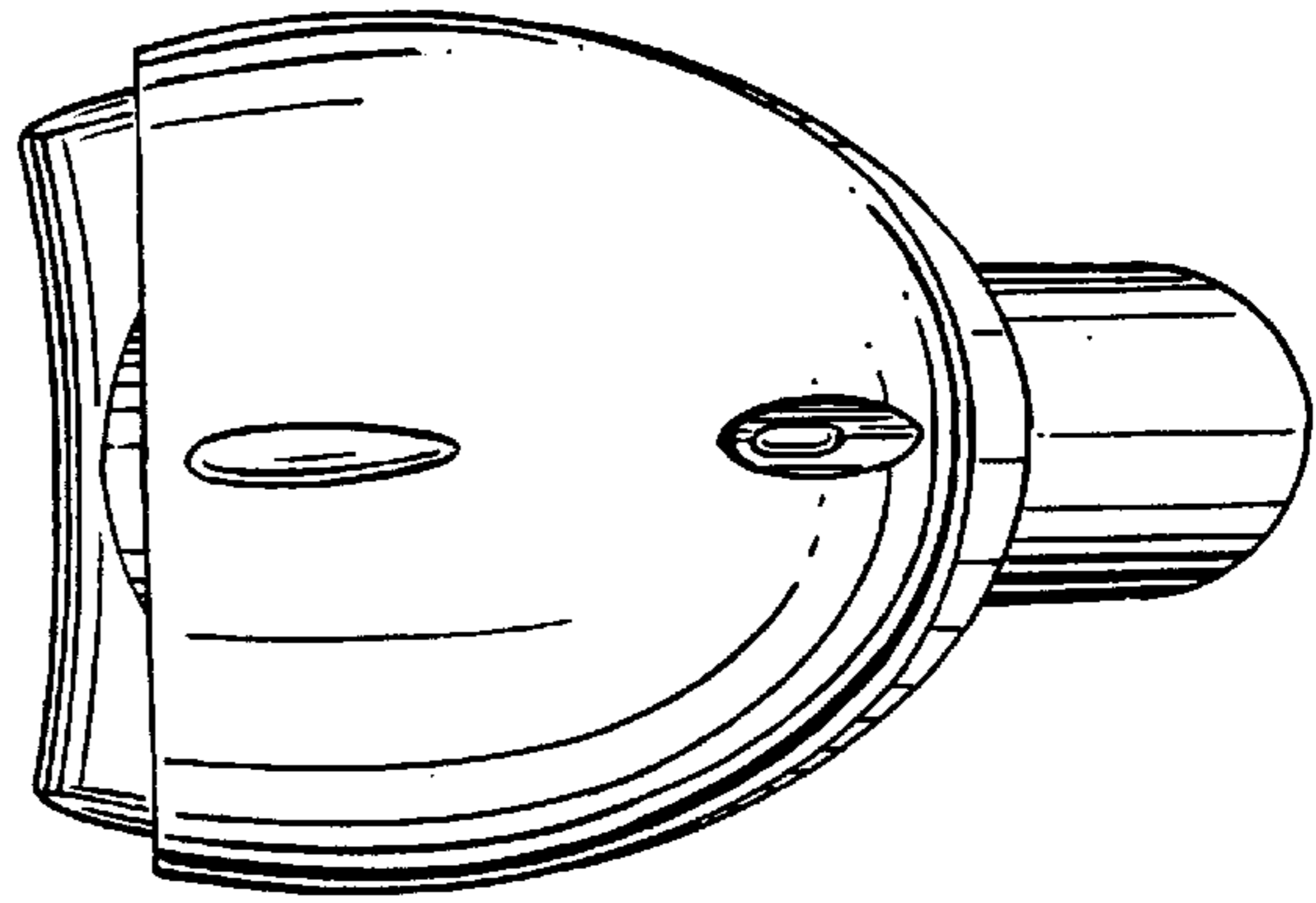


FIG. 2

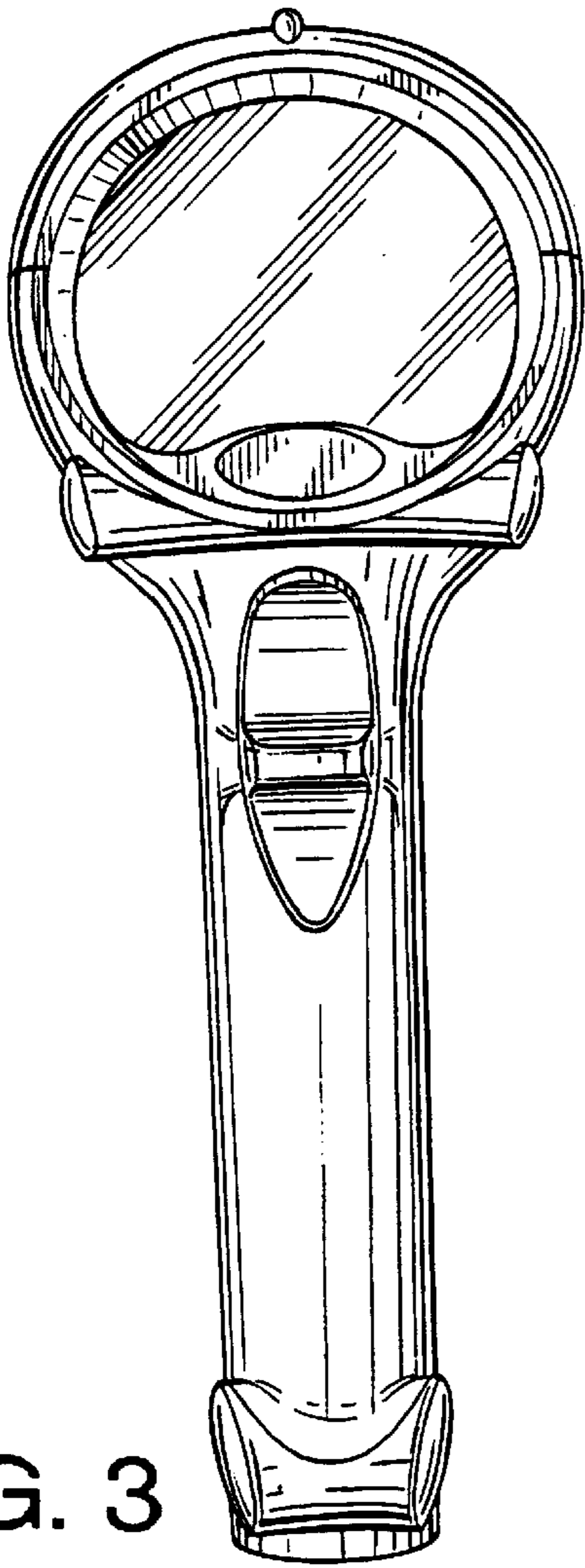


FIG. 3

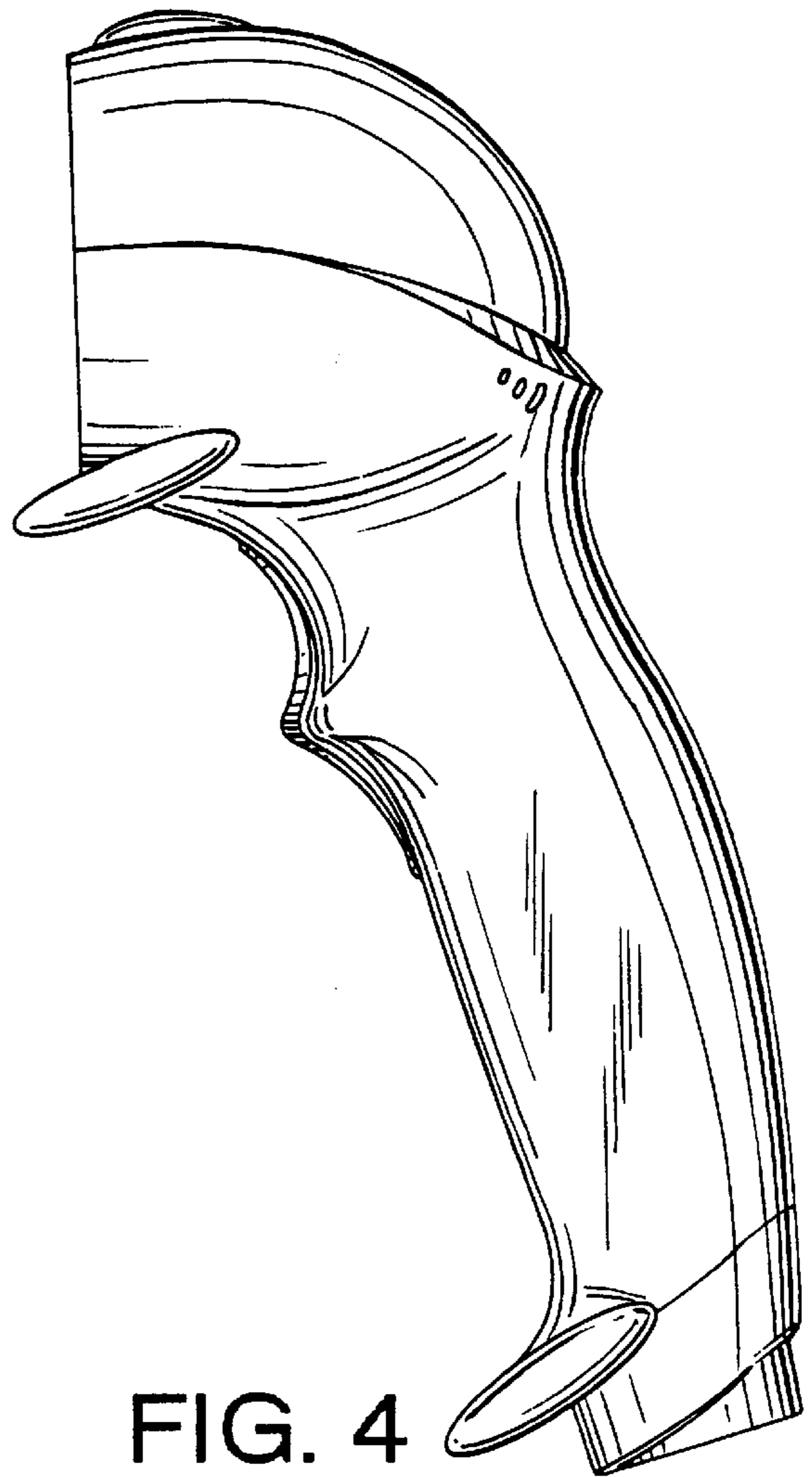


FIG. 4

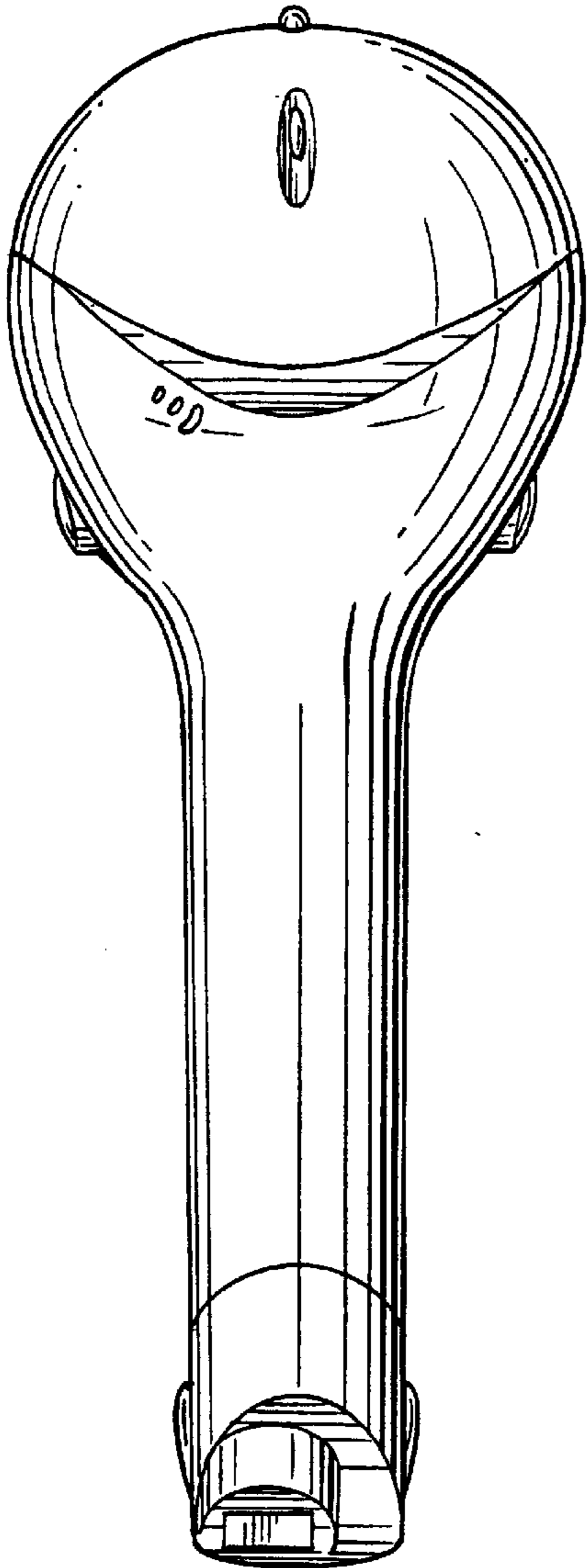


FIG. 6

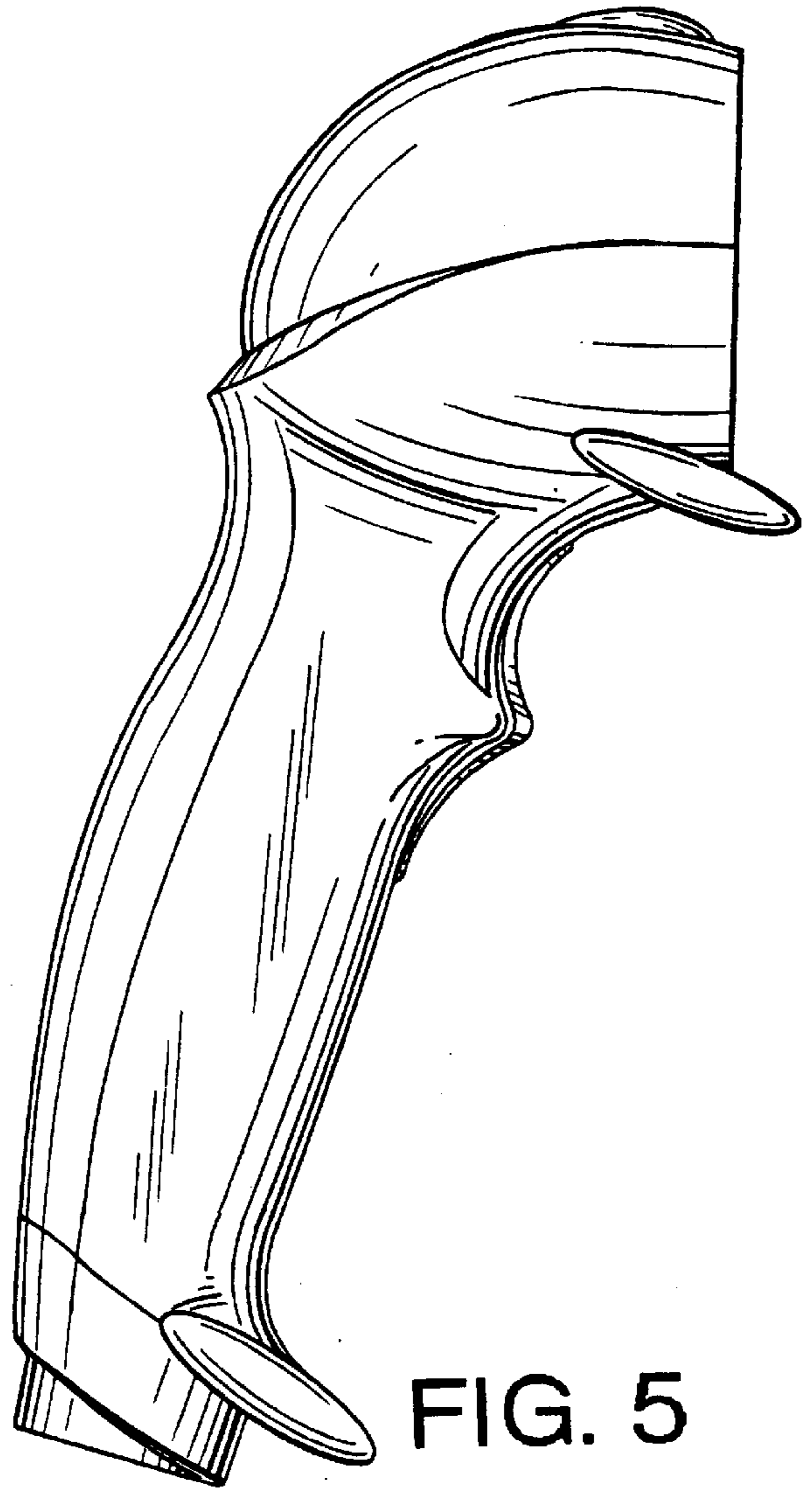


FIG. 5

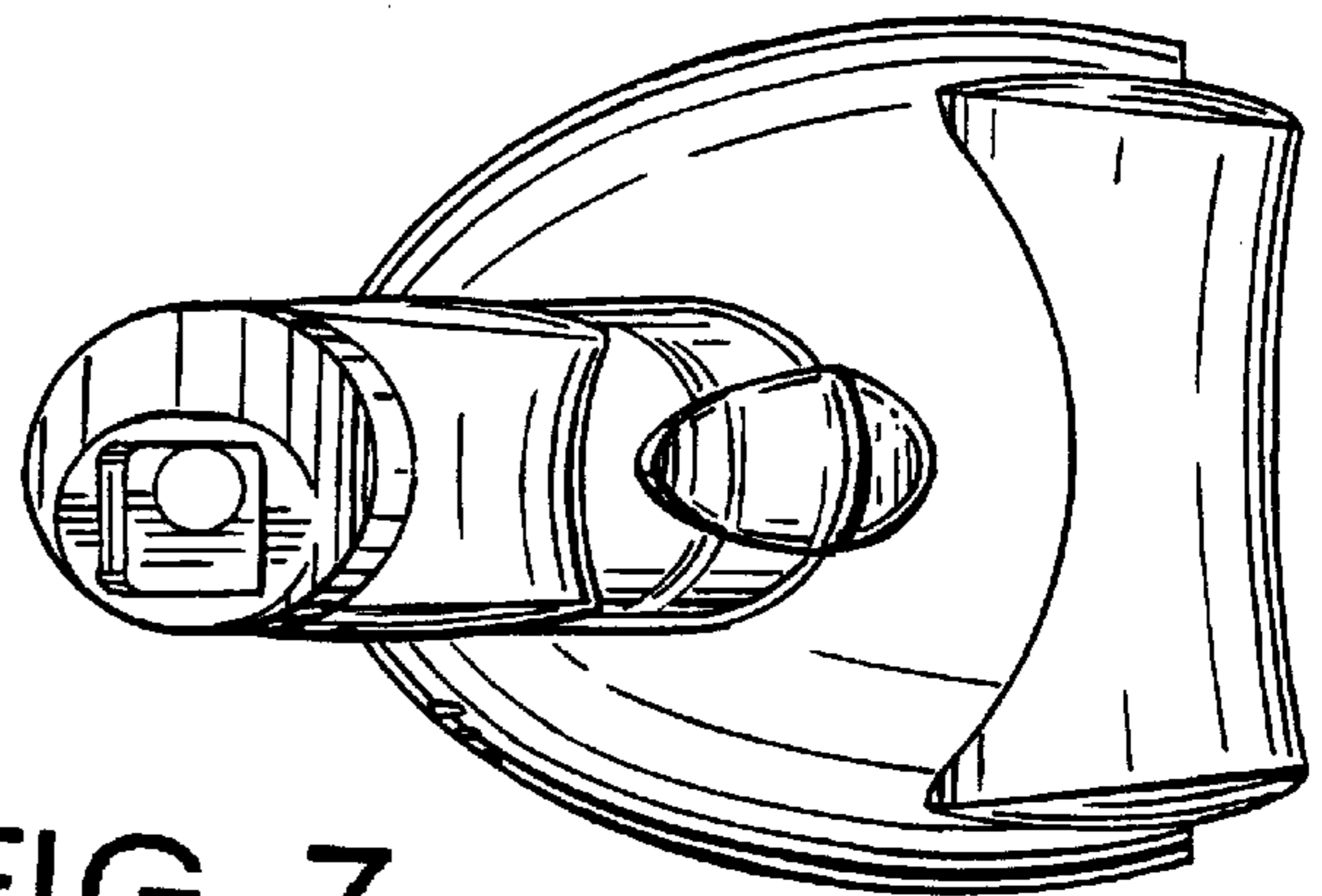


FIG. 7